

US00D752377S

(12) **United States Design Patent**
Maitland et al.

(10) **Patent No.:** **US D752,377 S**

(45) **Date of Patent:** **** Mar. 29, 2016**

(54) **BEVERAGE CARAFE**

(71) Applicant: **Keurig Green Mountain, Inc.**,
Waterbury, VT (US)

(72) Inventors: **Matthew John Maitland**, Cambridge
(GB); **Iain James Sabberton**,
Cambridge (GB); **Peter David**
Cauwood, Cambridge (GB); **Anthony**
C. Lai, Bedford, MA (US); **Kevin**
Thomas Brandimarte, Boston, MA
(US)

(73) Assignee: **Keurig Green Mountain, Inc.**,
Waterbury, VT (US)

(**) Term: **14 Years**

(21) Appl. No.: **29/507,805**

(22) Filed: **Oct. 30, 2014**

(51) **LOC (10) Cl.** **07-01**

(52) **U.S. Cl.**
USPC **D7/319; D7/317**

(58) **Field of Classification Search**
USPC D7/300, 316-319, 598, 600, 321;
D23/207, 209; 222/144.5; 219/209;
99/300, 285, 323.3; 210/237, 474
CPC . B01D 35/027; A47G 19/22; A47G 23/0241;
A47J 43/44; C02F 1/003; H04B 10/801

See application file for complete search history.

(56) **References Cited**

U.S. PATENT DOCUMENTS

D179,261 S *	11/1956	Orr	D7/321
3,311,399 A	3/1967	Holton		
D223,465 S *	4/1972	Du Puy	D7/317
D232,410 S *	8/1974	Rakocy	D7/309
D292,162 S *	10/1987	Zimmermann	D7/317
D373,923 S *	9/1996	Huang	D7/317
D553,419 S *	10/2007	Bodum	D7/317
D561,519 S *	2/2008	Ranzoni	D7/317
D603,647 S *	11/2009	Bodum	D7/317
D605,455 S *	12/2009	Bodum	D7/317
D607,685 S *	1/2010	Elissen	D7/317
D620,303 S *	7/2010	Mondragon	D7/317
D643,242 S	8/2011	Butler		
D655,563 S	3/2012	Kern et al.		

* cited by examiner

Primary Examiner — Marianne Pandozzi

(74) *Attorney, Agent, or Firm* — Wolf, Greenfield & Sacks, P.C.

(57) **CLAIM**

The ornamental design for a beverage carafe, as shown and described.

DESCRIPTION

FIG. 1 is a top, front, right perspective view of a beverage carafe showing our new design;
FIG. 2 is a front elevational view thereof;
FIG. 3 is a rear elevational view thereof;
FIG. 4 is a left side elevational view thereof;
FIG. 5 is a right side elevational view thereof;
FIG. 6 is a top plan view thereof; and,
FIG. 7 is a bottom plan view thereof.
The broken lines in the drawings are included for the purpose of illustration and form no part of the claimed design.

1 Claim, 7 Drawing Sheets

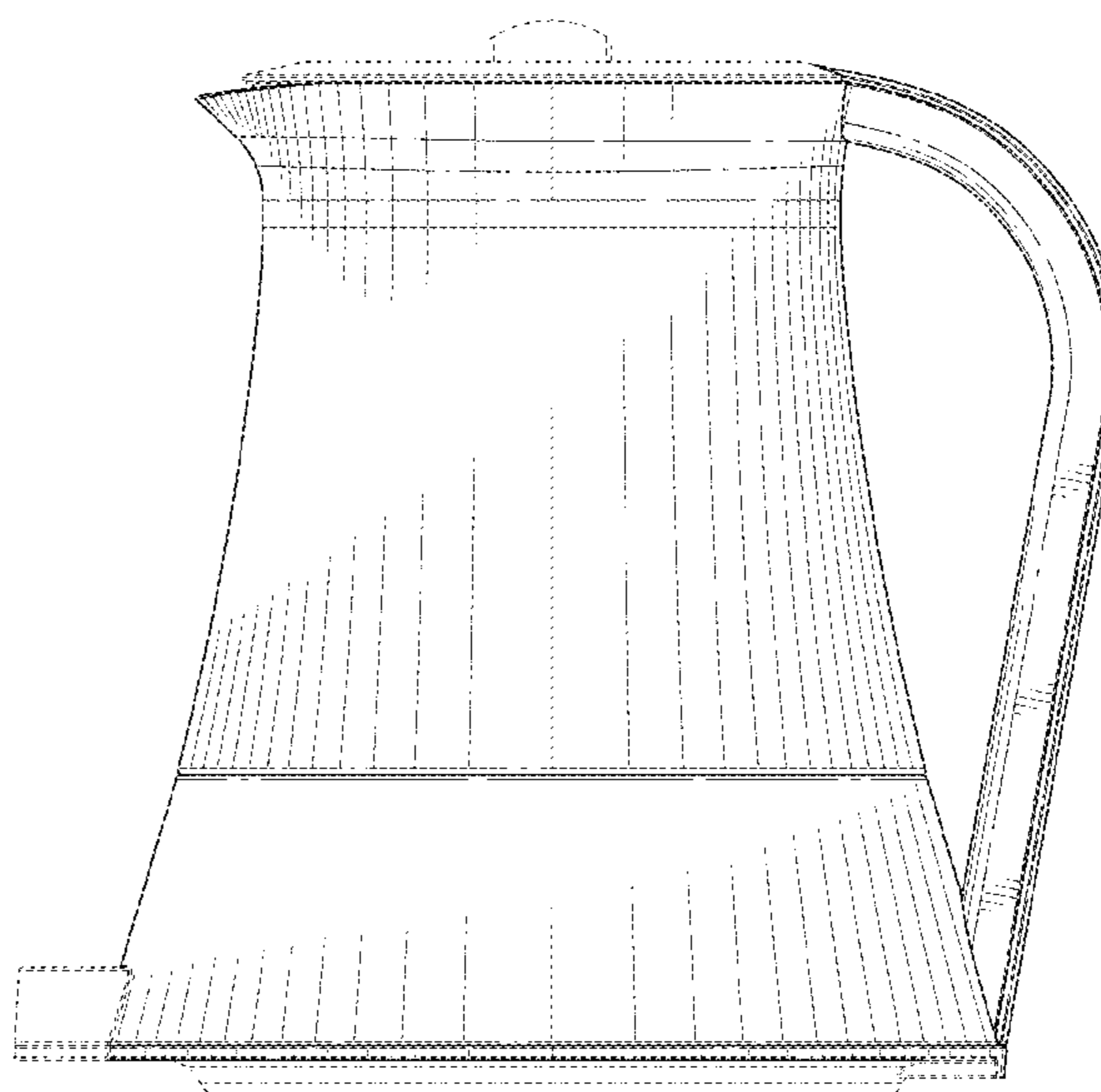
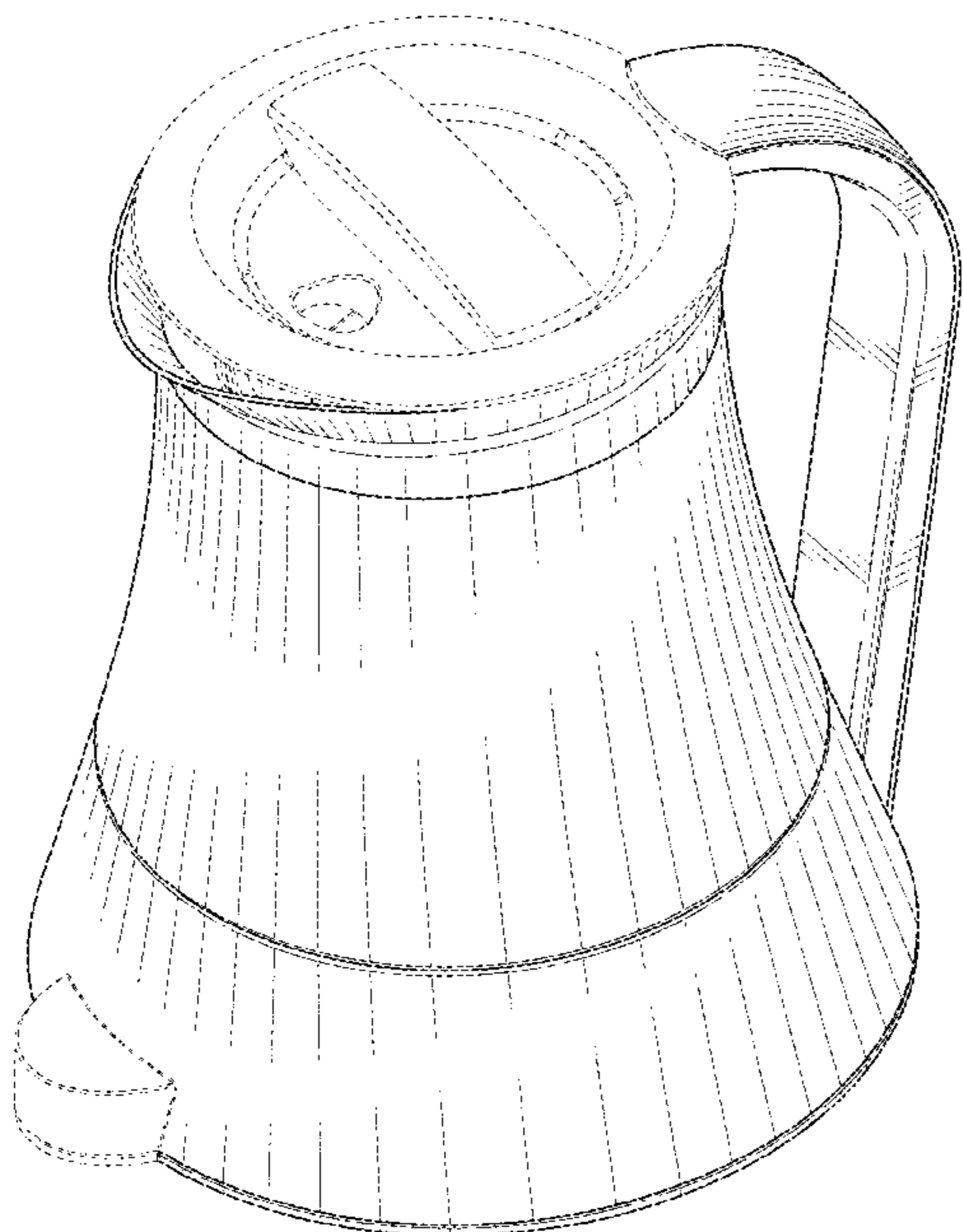




FIG. 1

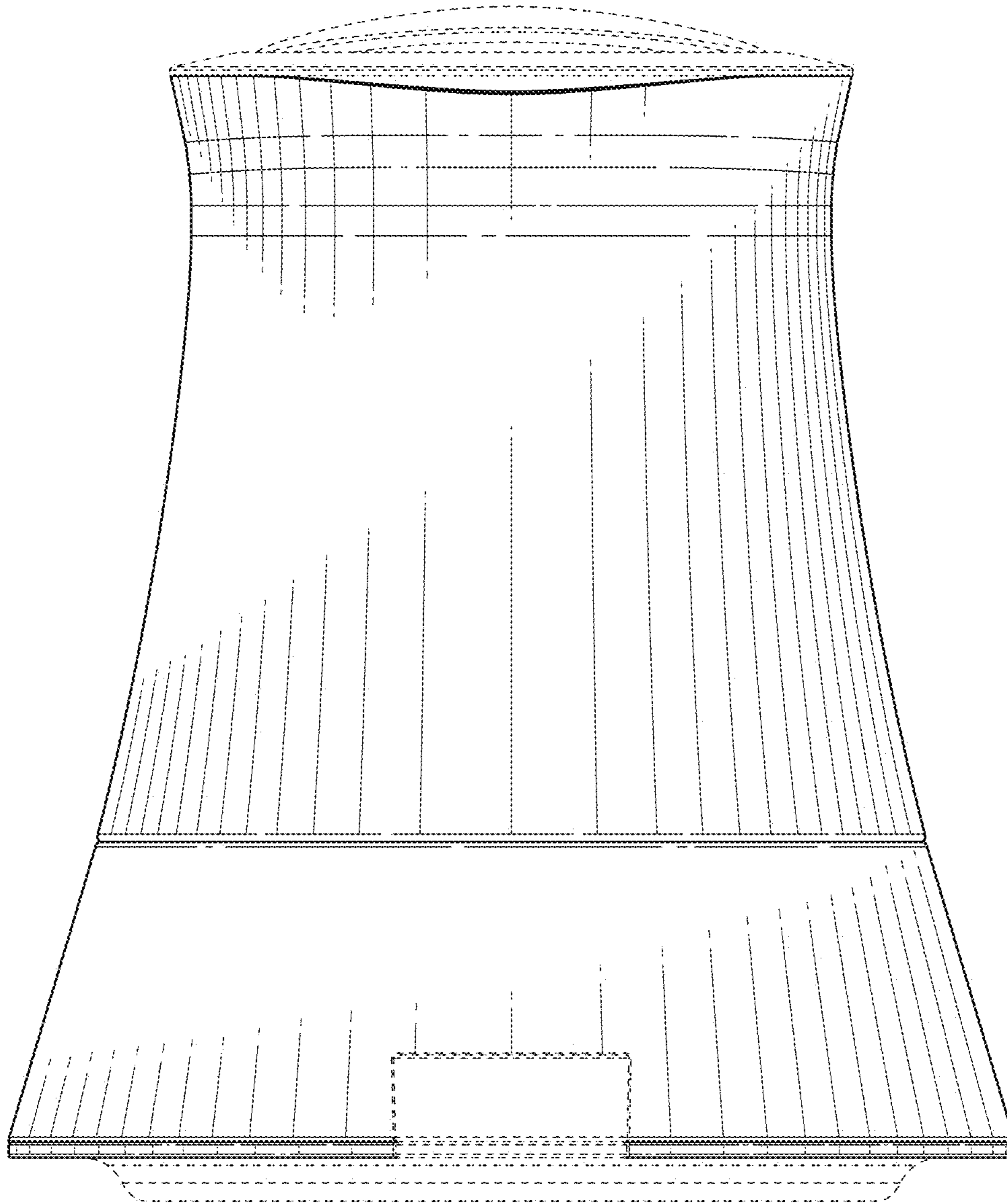


FIG. 2

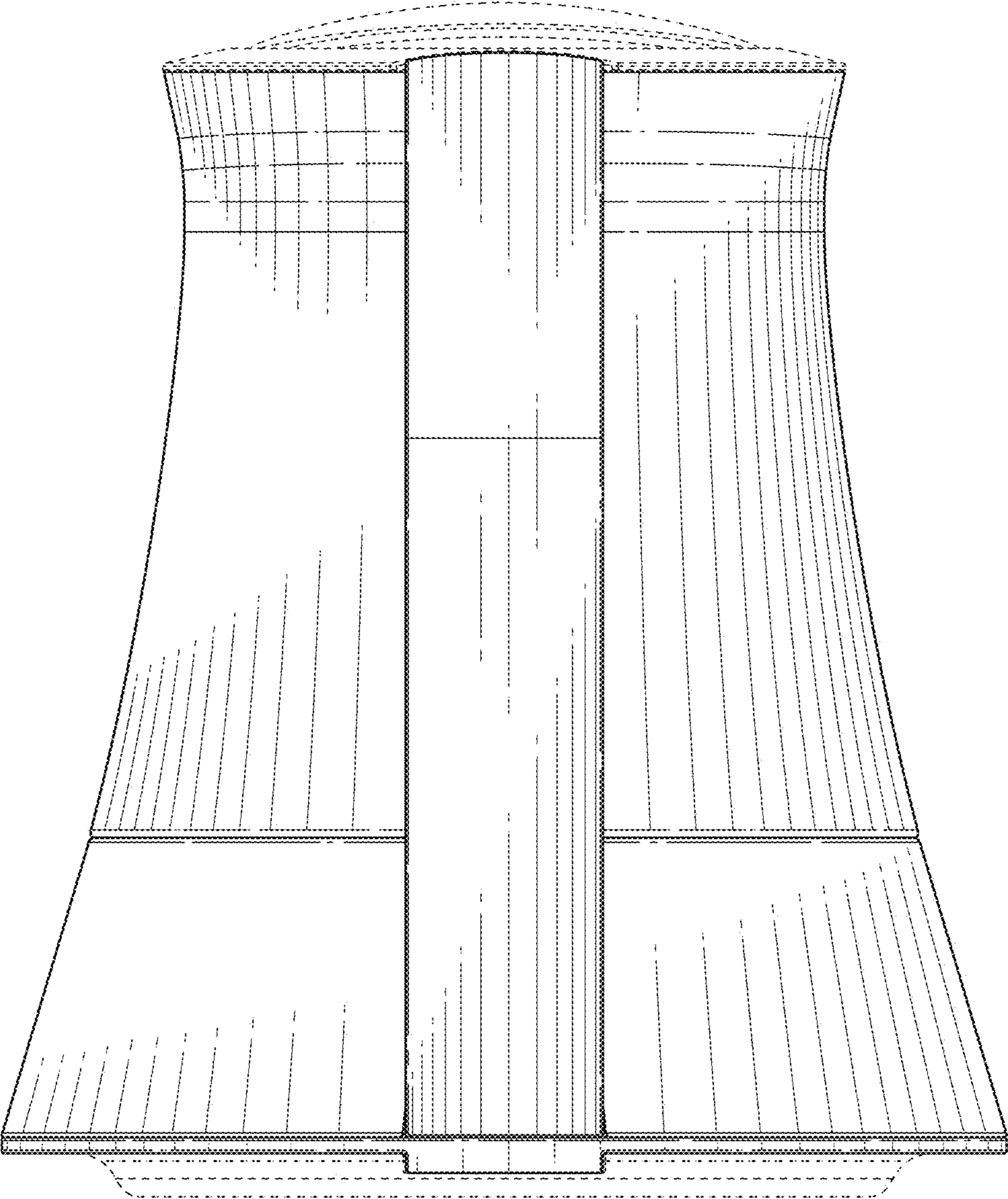


FIG. 3

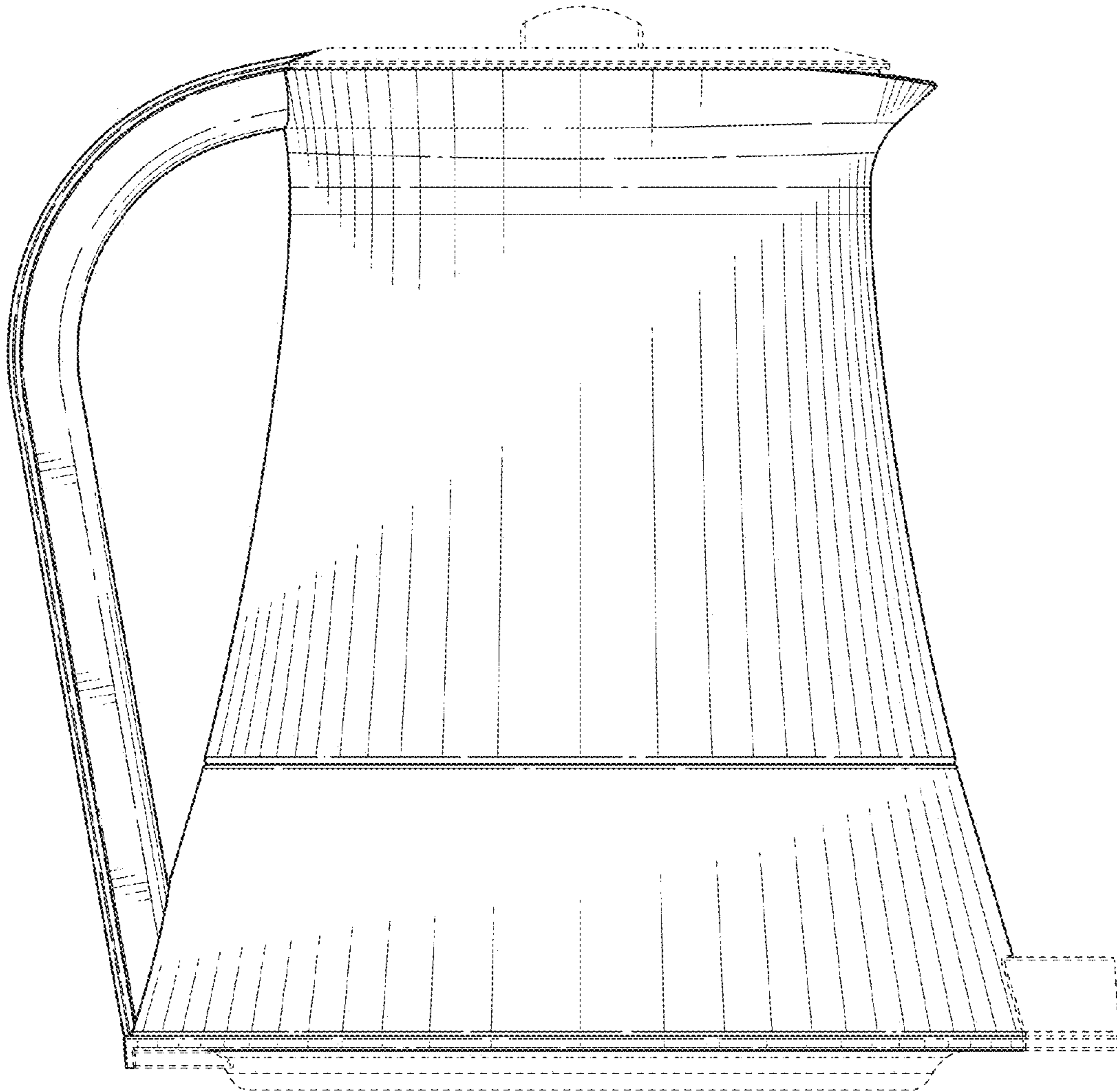


FIG. 4

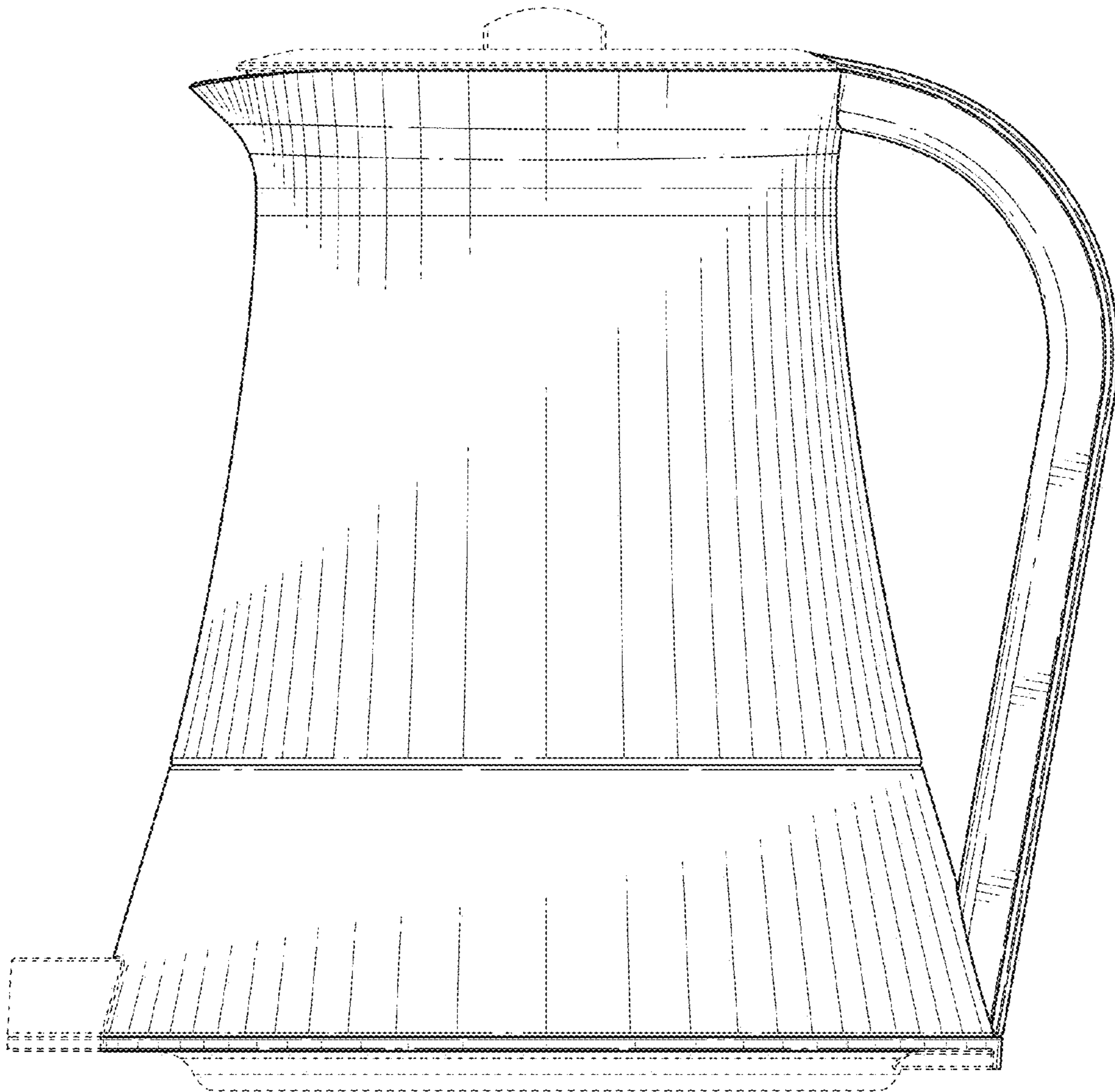


FIG. 5

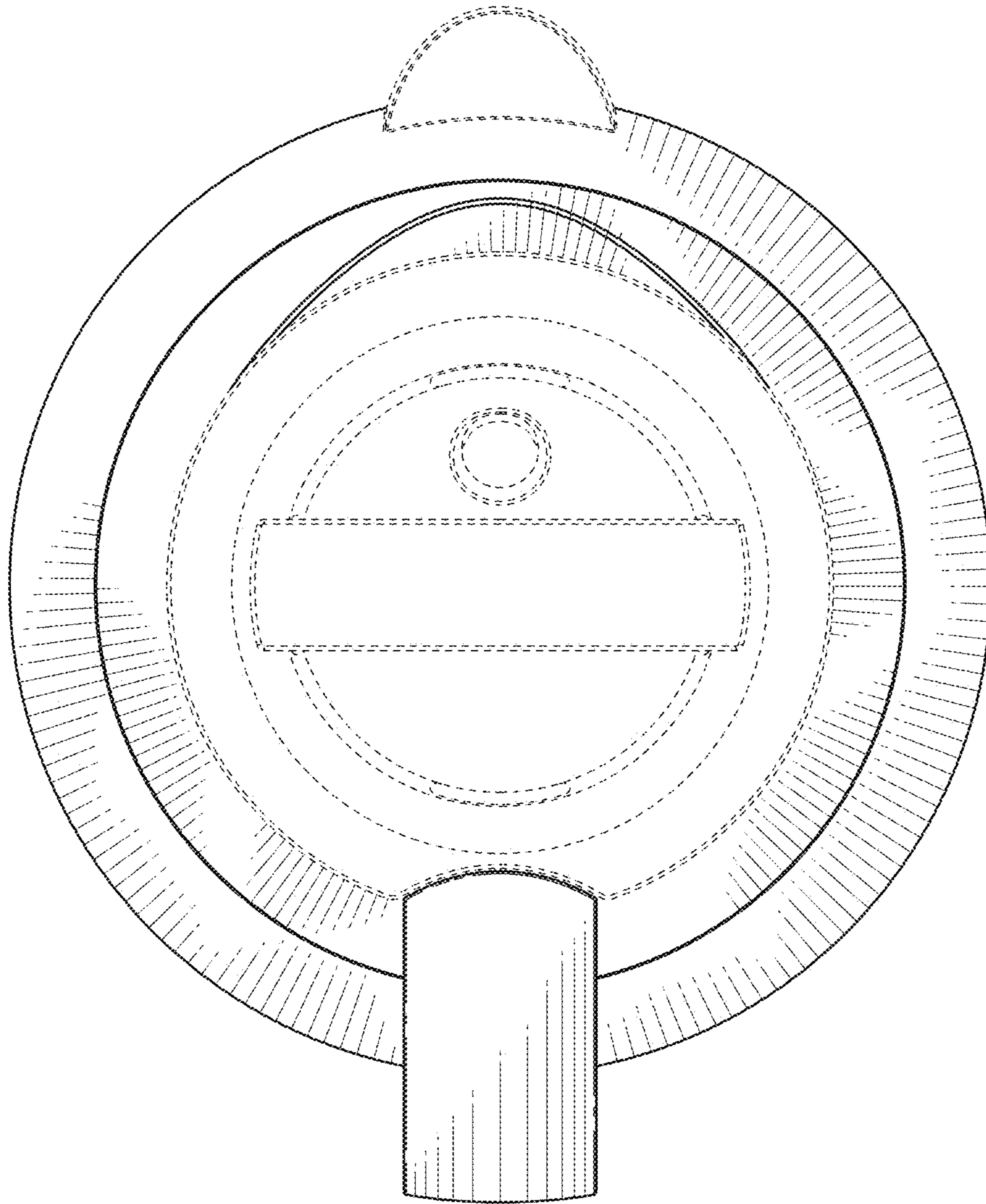


FIG. 6

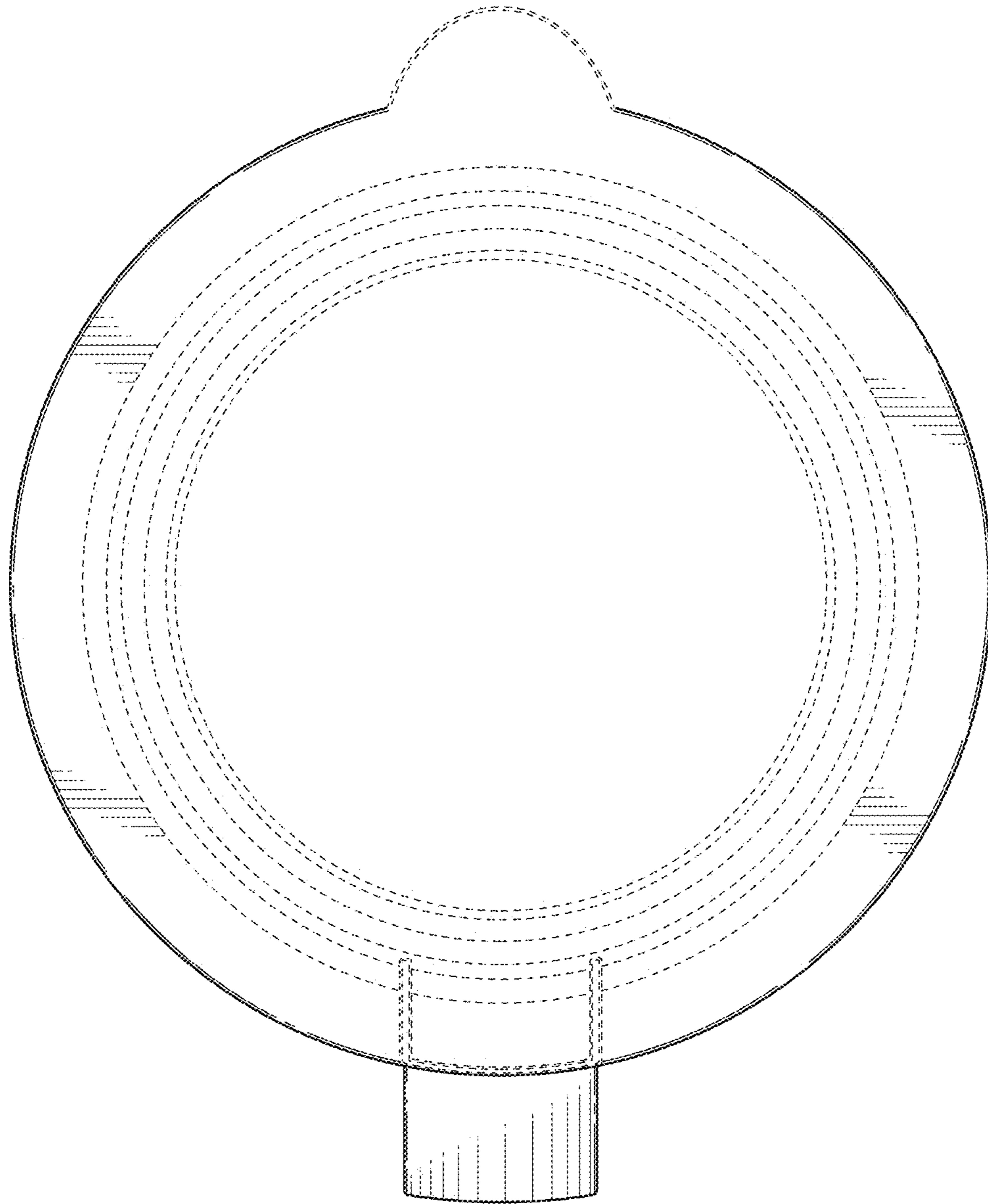


FIG. 7