



US00D752376S

(12) **United States Design Patent**
Melzer et al.

(10) **Patent No.:** **US D752,376 S**
(45) **Date of Patent:** **** Mar. 29, 2016**

(54) **PITCHER**

(71) Applicant: **Epoca International, Inc.**, Boca Raton, FL (US)

(72) Inventors: **Brian Melzer**, Boca Raton, FL (US);
Matthew L. Chin, New York, NY (US);
Gareth Brown, Jersey City, NJ (US)

(73) Assignee: **Epoco International, Inc.**, Boca Raton, FL (US)

(**) Term: **14 Years**

(21) Appl. No.: **29/504,151**

(22) Filed: **Oct. 2, 2014**

(51) **LOC (10) Cl.** **07-01**

(52) **U.S. Cl.**
USPC **D7/319; D7/317**

(58) **Field of Classification Search**
USPC D7/300, 316-319, 598, 600, 500, 505,
D7/321, 322, 305; D23/207, 209;
222/144.5, 109; 219/209, 731; 99/300,
99/303, 307, 285, 323.3; 210/237, 474;
D10/46.2
CPC B01D 35/027; A47G 19/22; A47G 19/14;
A47G 31/005; A47G 19/12; A47J 43/44;
A47J 31/00; A47J 36/14; A47J 31/10; C02F
1/003; H04B 10/801; B01F 11/00
See application file for complete search history.

(56) **References Cited**

U.S. PATENT DOCUMENTS

D111,231 S * 9/1938 Titze D7/319
D113,513 S * 2/1939 Iannelli D7/319

D179,261 S * 11/1956 Orr D7/321
2,793,790 A * 5/1957 Kahler B65D 23/06
222/109
D184,814 S * 4/1959 James D7/319
D199,041 S * 9/1964 Kitterman D7/317
D235,734 S * 7/1975 Strand D7/319
D278,019 S * 3/1985 Everhan D7/319
D320,906 S * 10/1991 Unger D7/321
D435,996 S * 1/2001 Joergensen D7/317
6,431,054 B1 * 8/2002 Reid A47G 19/14
374/141
D483,993 S * 12/2003 Boyle D7/316
D567,005 S * 4/2008 Bodum D7/312
D584,556 S * 1/2009 Bodum D7/316
D662,584 S * 6/2012 Browder D23/367
D680,790 S * 4/2013 Bell D7/317

* cited by examiner

Primary Examiner — Marianne Pandozzi

(74) *Attorney, Agent, or Firm* — Akerman LLP

(57) **CLAIM**

We claim the ornamental design for a pitcher, as shown and described.

DESCRIPTION

FIG. 1 is a side view of the pitcher, showing our new, original and ornamental design;
FIG. 2 is a rear view thereof;
FIG. 3 is a top plan view thereof;
FIG. 4 is a top plan view thereof, with the lid removed for ease of illustration;
FIG. 5 is a top perspective view of the pitcher;
FIG. 6 is a top perspective view thereof with the lid removed for ease of illustration; and,
FIG. 7 is a bottom view thereof.

1 Claim, 6 Drawing Sheets

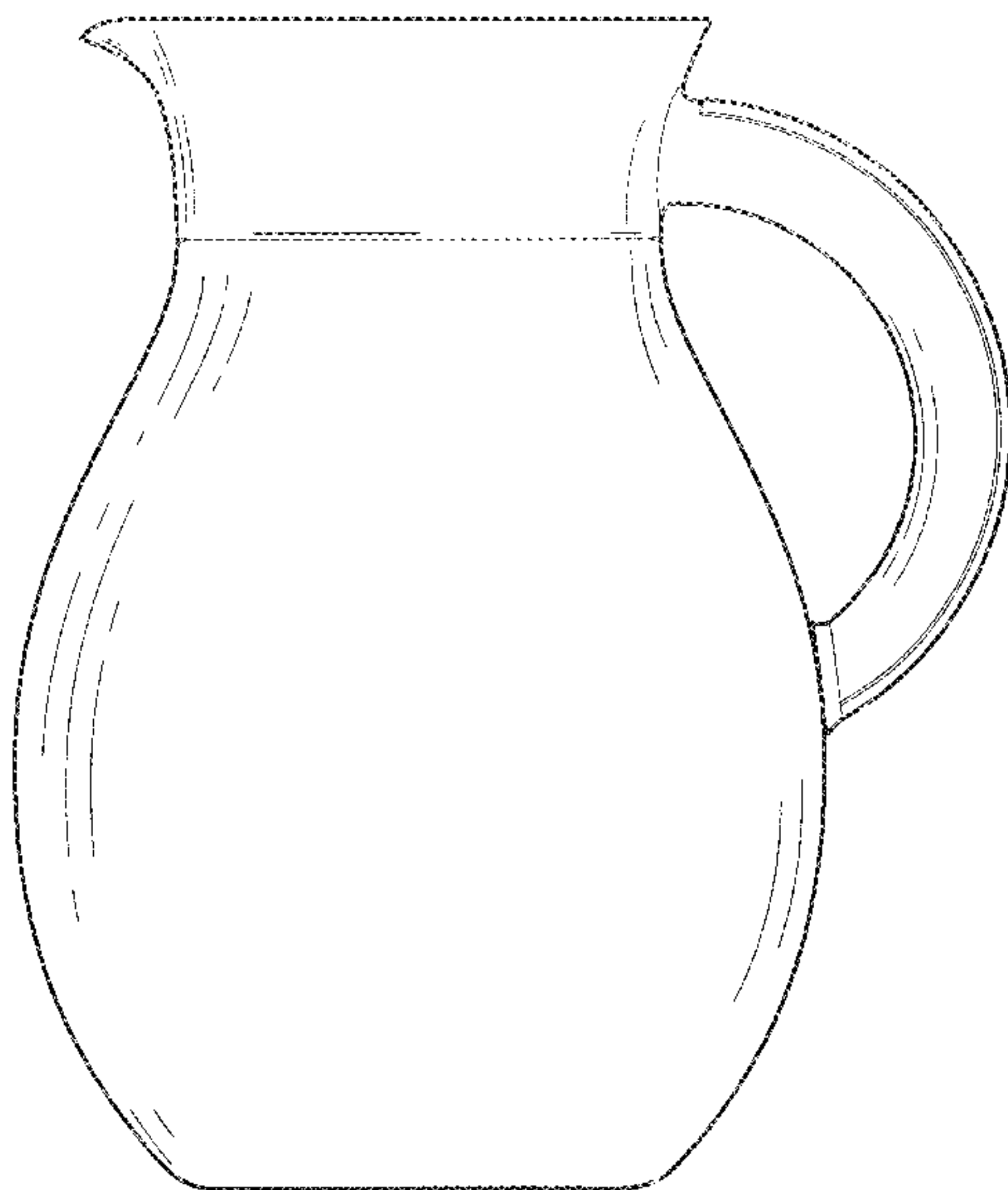


FIGURE 1

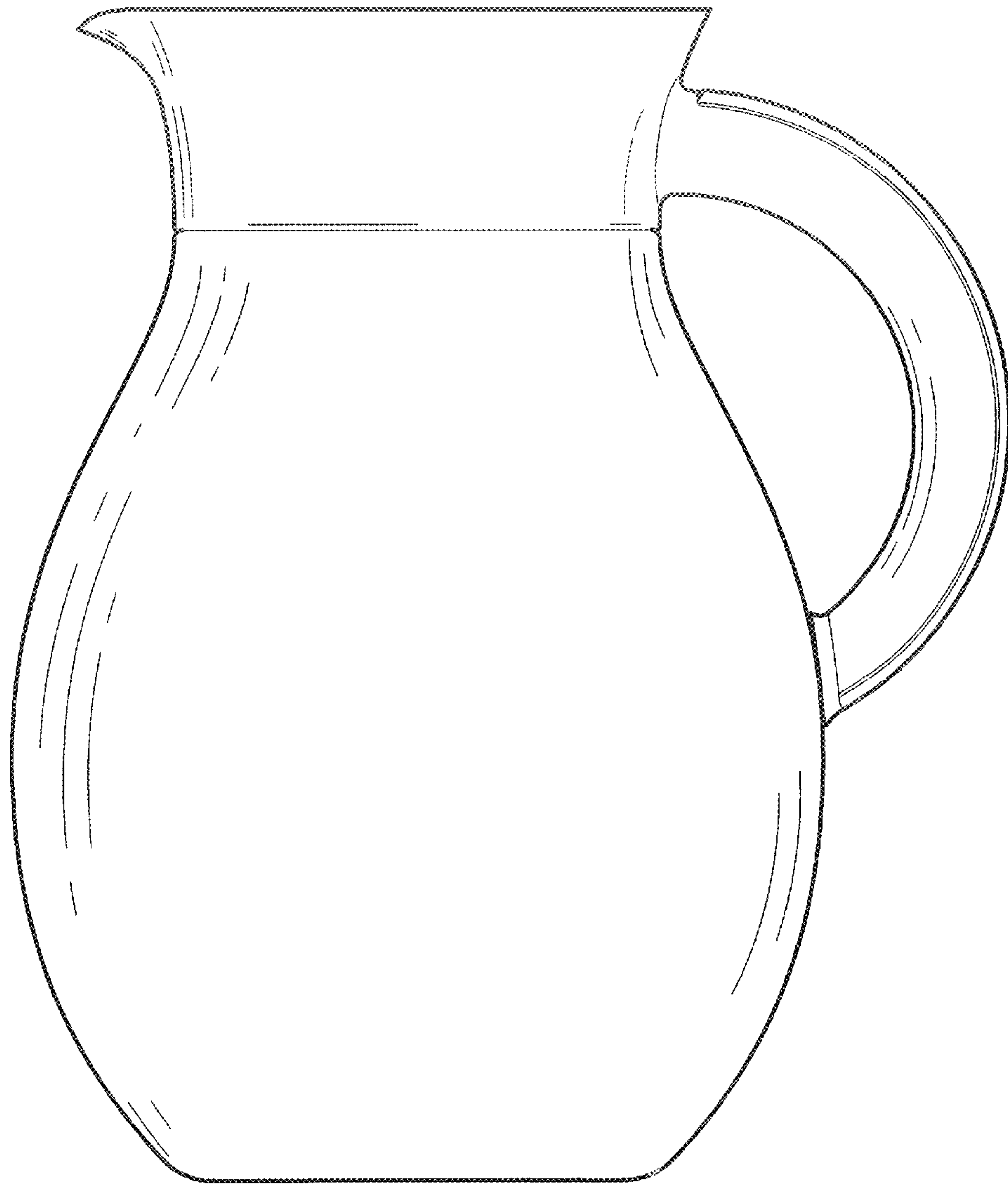


FIGURE 2

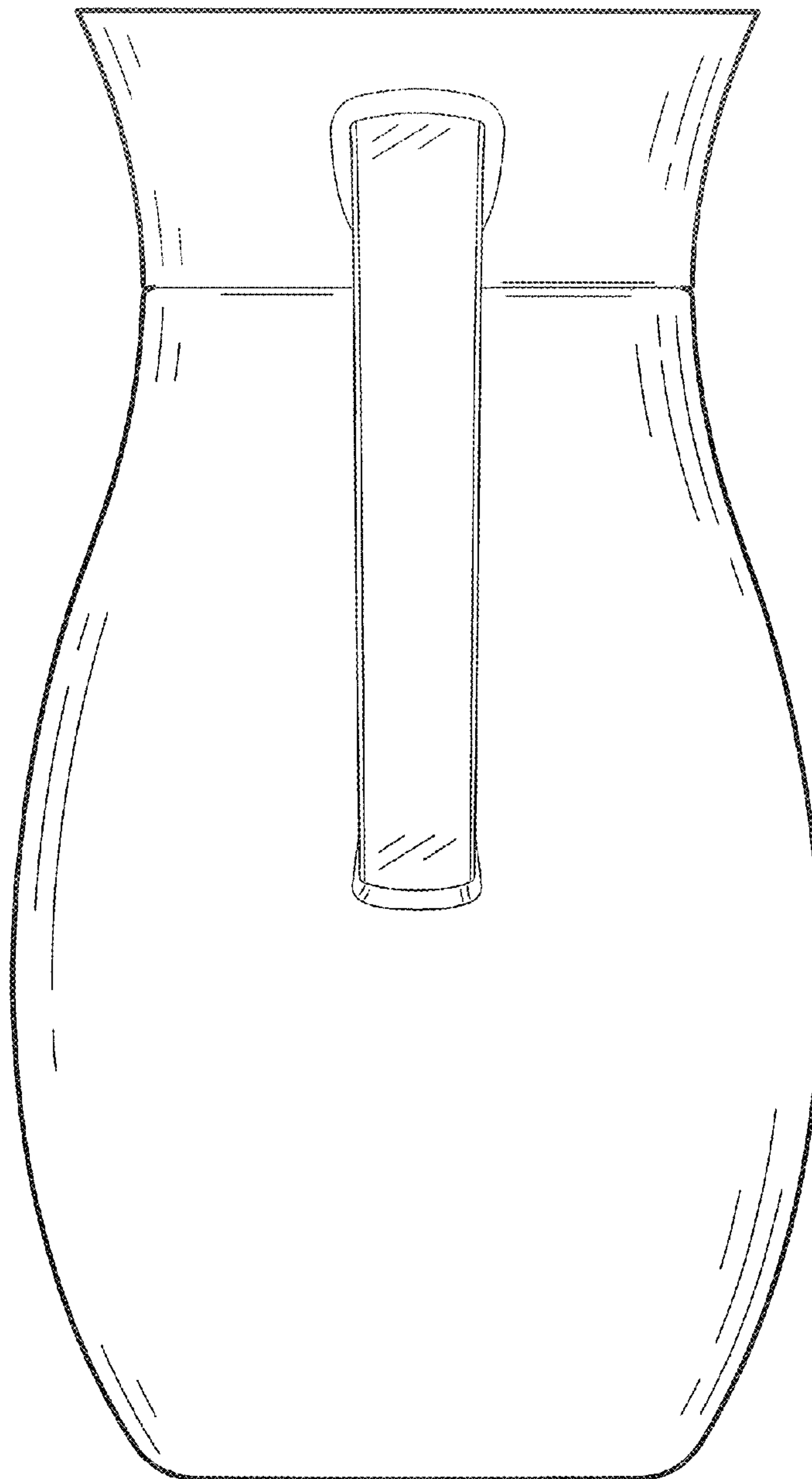


FIGURE 3

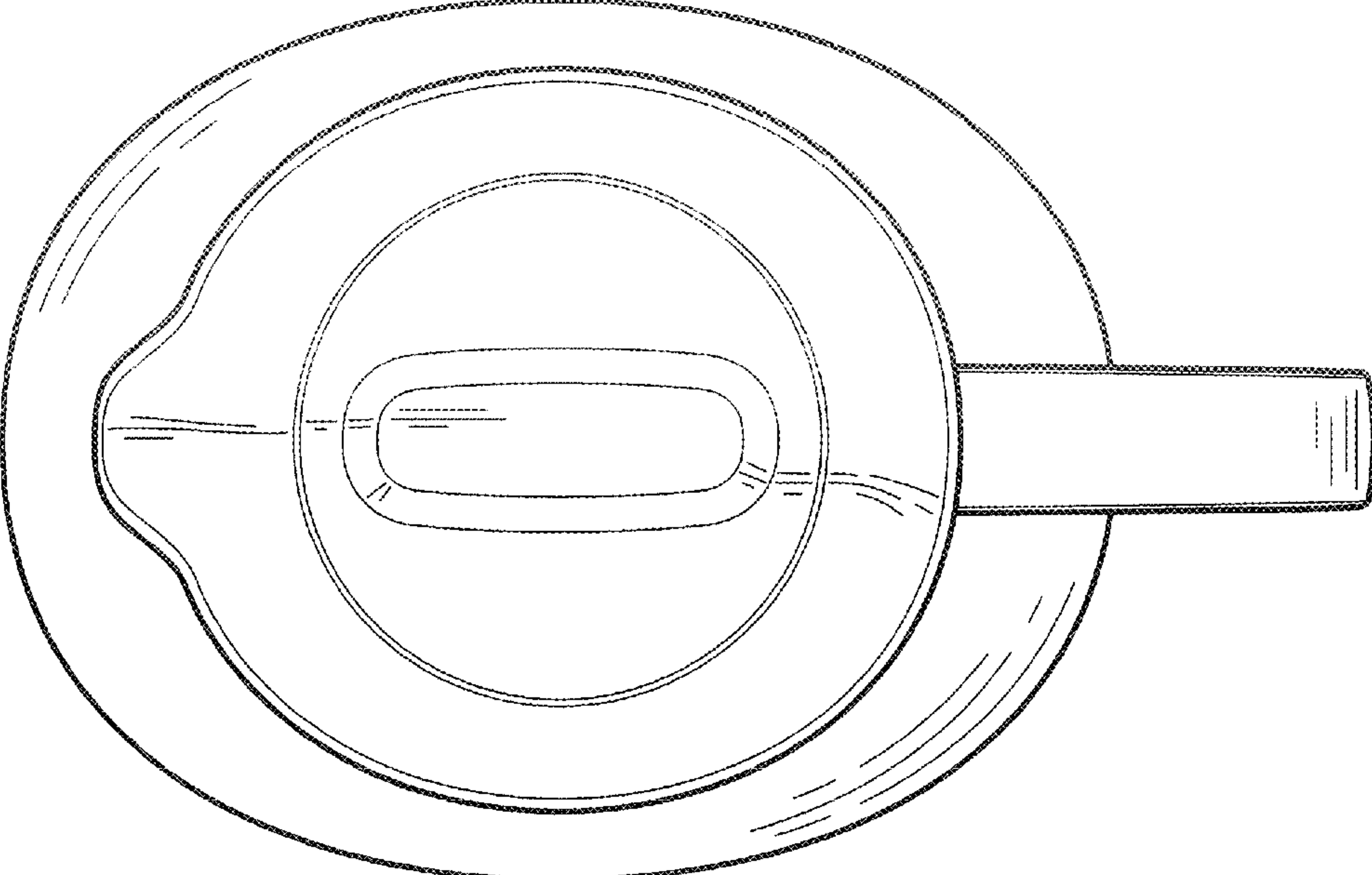


FIGURE 4

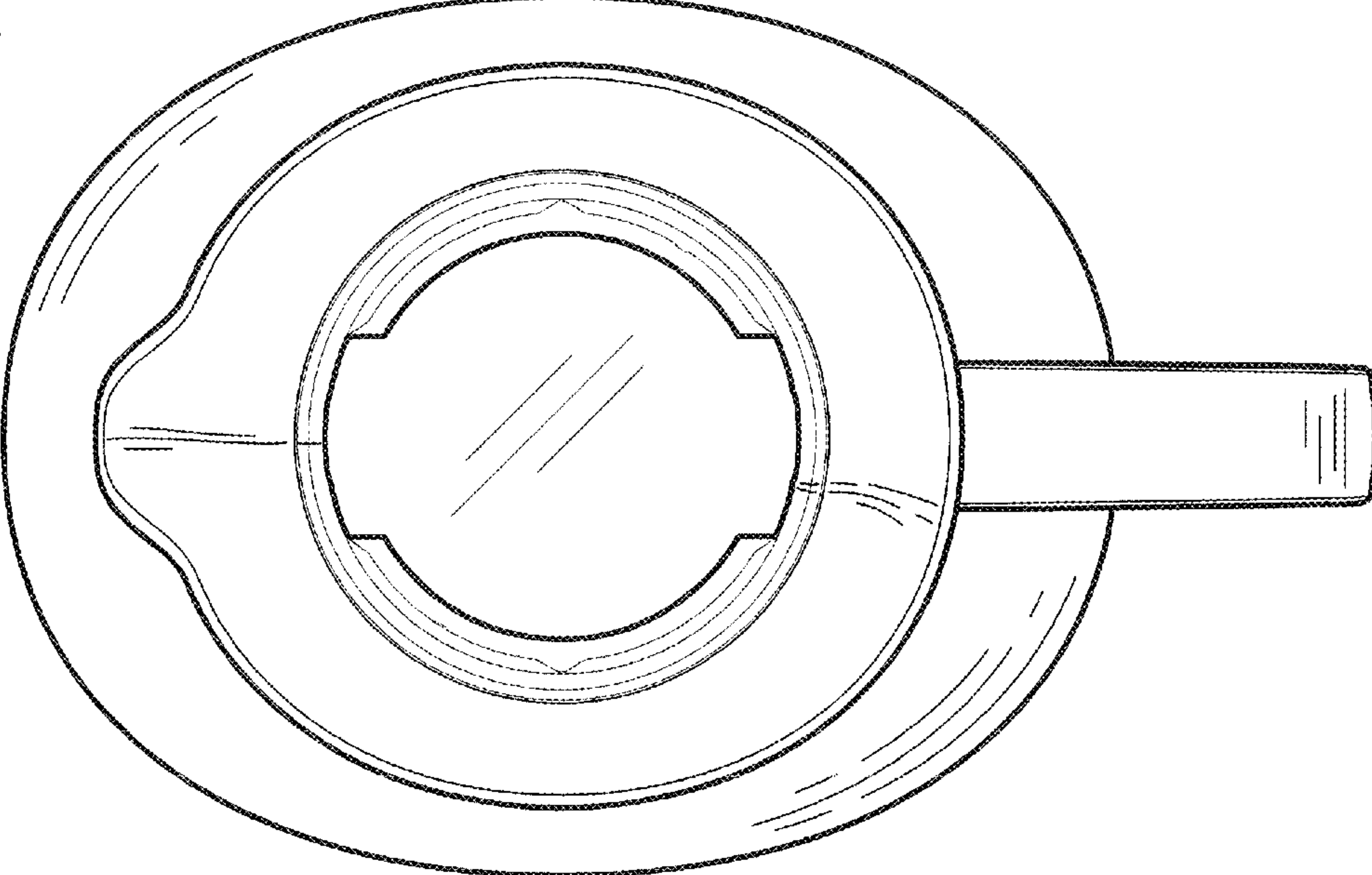


FIGURE 5



FIGURE 6



FIGURE 7

