



US00D752374S

(12) **United States Design Patent**  
**Leyva**

(10) **Patent No.:** **US D752,374 S**  
(45) **Date of Patent:** **\*\* Mar. 29, 2016**

- (54) **KEG DISPENSER HOUSING**
- (71) Applicant: **Robert Leyva**, Roswell, NM (US)
- (72) Inventor: **Robert Leyva**, Roswell, NM (US)
- (\*\*) Term: **14 Years**
- (21) Appl. No.: **29/518,488**
- (22) Filed: **Feb. 24, 2015**

D300,106	S	*	3/1989	Paulin	.....	D7/309
D311,298	S	*	10/1990	Mollenhoff	.....	D7/300
D352,296	S		11/1994	Westendorf		
D367,864	S	*	3/1996	Lacewell	.....	D15/85
D368,271	S	*	3/1996	Montgomery	.....	D15/81
D415,023	S	*	10/1999	Snyder	.....	D9/747
D423,862	S	*	5/2000	Mravlja, Jr.	.....	D7/305
6,237,345	B1		5/2001	Kalman et al.		
6,502,415	B2		1/2003	Chiusolo		
D469,787	S		2/2003	Wicker		
D482,227	S	*	11/2003	Walton	.....	D7/306
D489,214	S	*	5/2004	Noda	.....	D7/309

(Continued)

**Related U.S. Application Data**

- (63) Continuation of application No. 29/473,974, filed on Nov. 27, 2013, now Pat. No. Des. 722,806, which is a continuation of application No. 13/025,090, filed on Feb. 10, 2011, now abandoned.
- (51) **LOC (10) Cl.** ..... **07-01**
- (52) **U.S. Cl.**  
USPC ..... **D7/306; D7/313**
- (58) **Field of Classification Search**  
USPC ..... D7/300, 300.1, 300.2, 301-316;  
D9/738, 741, 745, 747, 772, 523, 525,  
D9/529, 530, 549, 416, 417, 544, 551,  
D9/435; D15/79, 81, 84; 222/146.6;  
220/592.18, 592.19  
CPC .... B67D 1/025; B67D 1/0412; B67D 1/0829;  
B67D 1/02  
See application file for complete search history.

(56) **References Cited**

**U.S. PATENT DOCUMENTS**

2,063,171	A		12/1936	Kucher		
2,223,152	A		11/1940	Nagin		
D143,887	S	*	2/1946	Thompson	.....	D7/307
3,865,276	A		2/1975	Thompson		
D241,219	S	*	8/1976	Martin	.....	D7/309
4,225,059	A		9/1980	Kappos		
D271,877	S	*	12/1983	Hoff	.....	D15/81
D285,052	S	*	8/1986	Bianchi	.....	D9/521
D298,602	S	*	11/1988	Price	.....	D7/313

**FOREIGN PATENT DOCUMENTS**

DE 90 06 681 8/1990

*Primary Examiner* — Marianne Pandozzi

*Assistant Examiner* — Jae Liang

(74) *Attorney, Agent, or Firm* — Peacock Myers, P.C.;  
Janeen Vilven

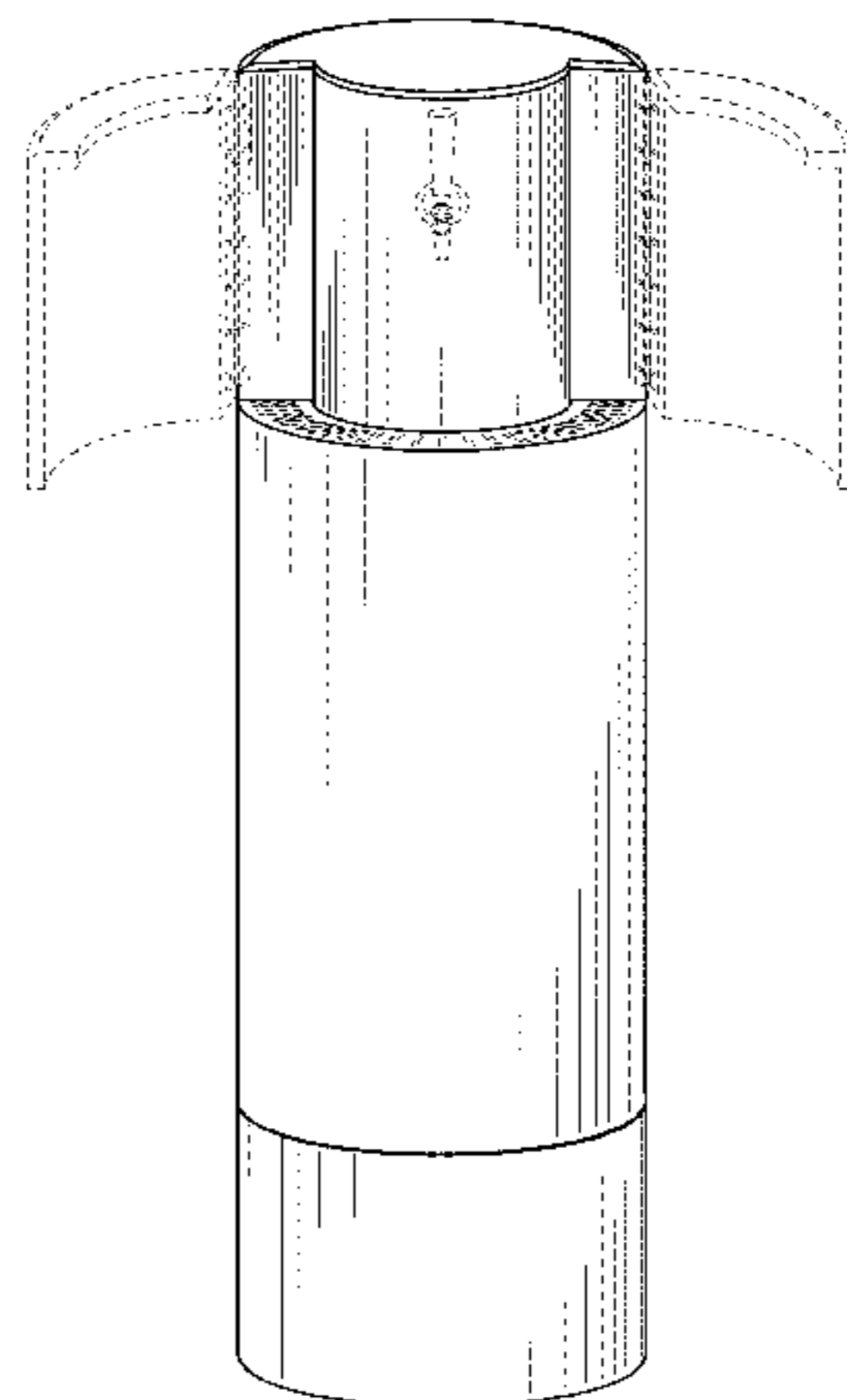
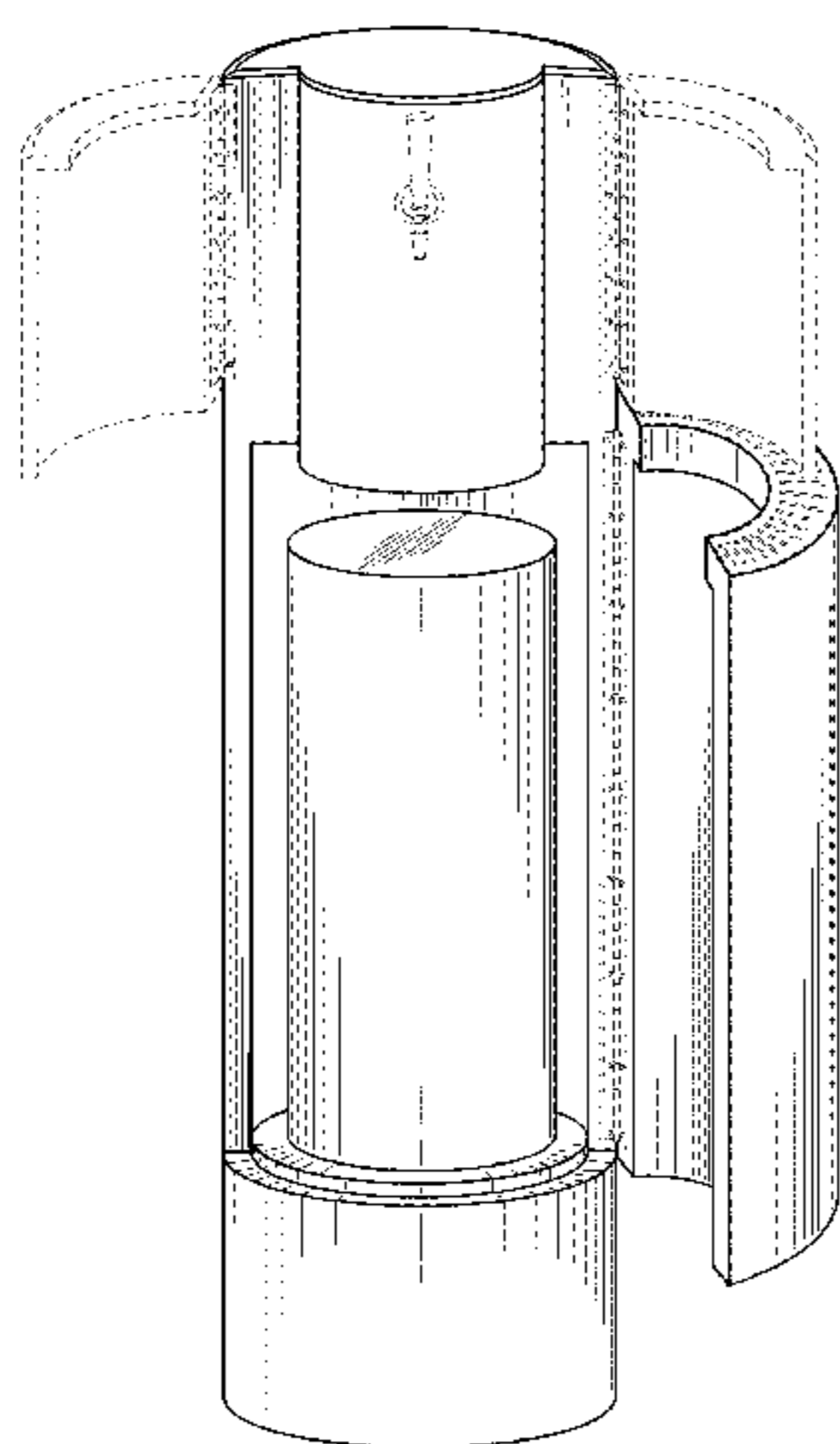
(57) **CLAIM**

The ornamental design for a keg dispensing housing, as shown and described.

**DESCRIPTION**

FIG. 1 is a perspective view of a keg dispenser housing showing my design in its open position;  
 FIG. 2 is a perspective view thereof with the upper keg doors closed;  
 FIG. 3 is a perspective view thereof with the lower door closed;  
 FIG. 4 is a front plan view thereof;  
 FIG. 5 is a back plan view thereof;  
 FIG. 6 is a right side plan view thereof;  
 FIG. 7 is a left side plan view thereof;  
 FIG. 8 is a top plan view thereof; and,  
 FIG. 9 is a bottom plan view thereof.  
 The broken lines are for illustrative purposes only and form no part of the claimed design.

**1 Claim, 6 Drawing Sheets**



(56)

**References Cited**

U.S. PATENT DOCUMENTS

D538,641 S \* 3/2007 Limber ..... D9/421  
7,237,390 B1 7/2007 Nelson  
D588,852 S \* 3/2009 Stein ..... D7/301  
D617,603 S \* 6/2010 Garman ..... D7/373  
D640,569 S \* 6/2011 Alongi ..... D9/503  
D646,104 S \* 10/2011 Zhou ..... D23/318

D677,102 S \* 3/2013 Walton ..... D7/306  
D691,643 S \* 10/2013 Sharkey ..... D15/81  
D697,748 S \* 1/2014 Wang ..... D7/306  
D722,806 S 2/2015 Leyva  
D734,086 S \* 7/2015 Tseng ..... D7/306  
D735,514 S \* 8/2015 Cheung ..... D7/300  
D736,024 S \* 8/2015 Taubman ..... D7/305  
2002/0050496 A1 5/2002 Van Der Meer

\* cited by examiner

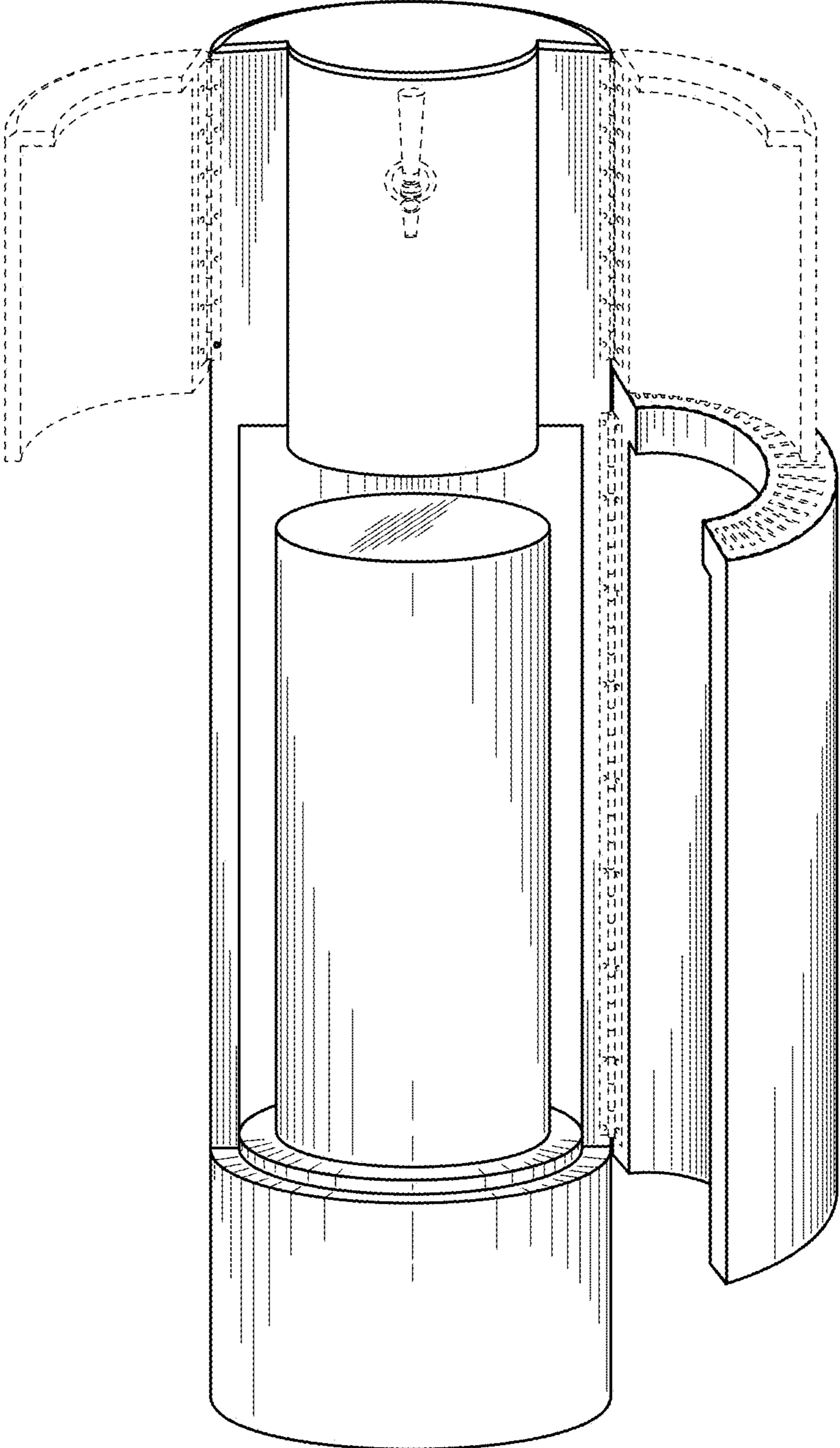


FIG. 1

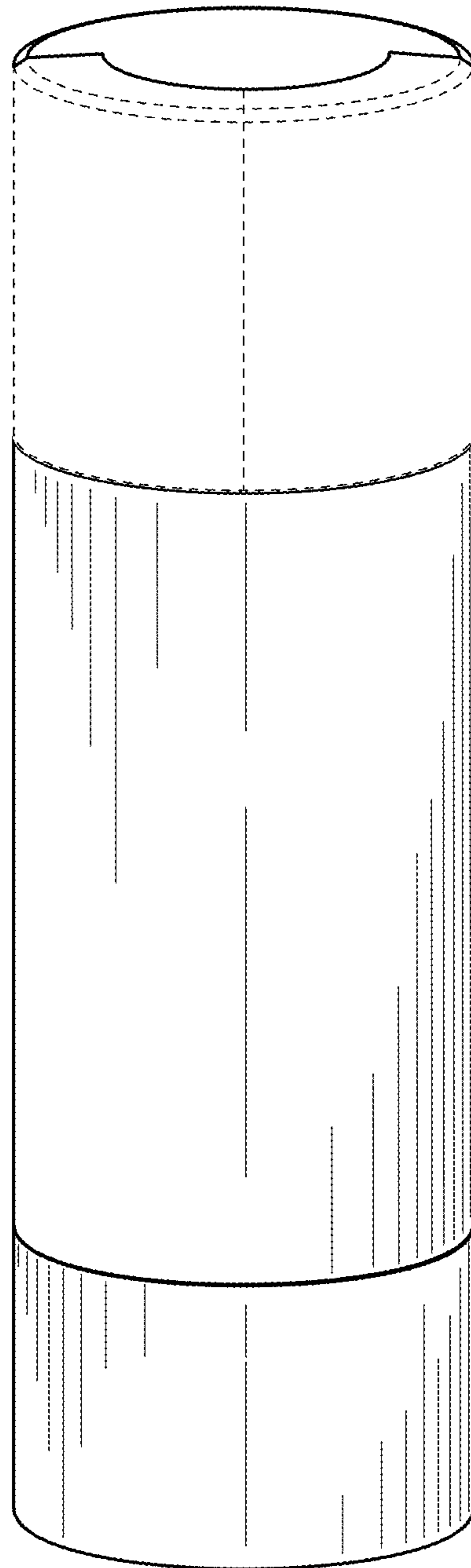


FIG. 2

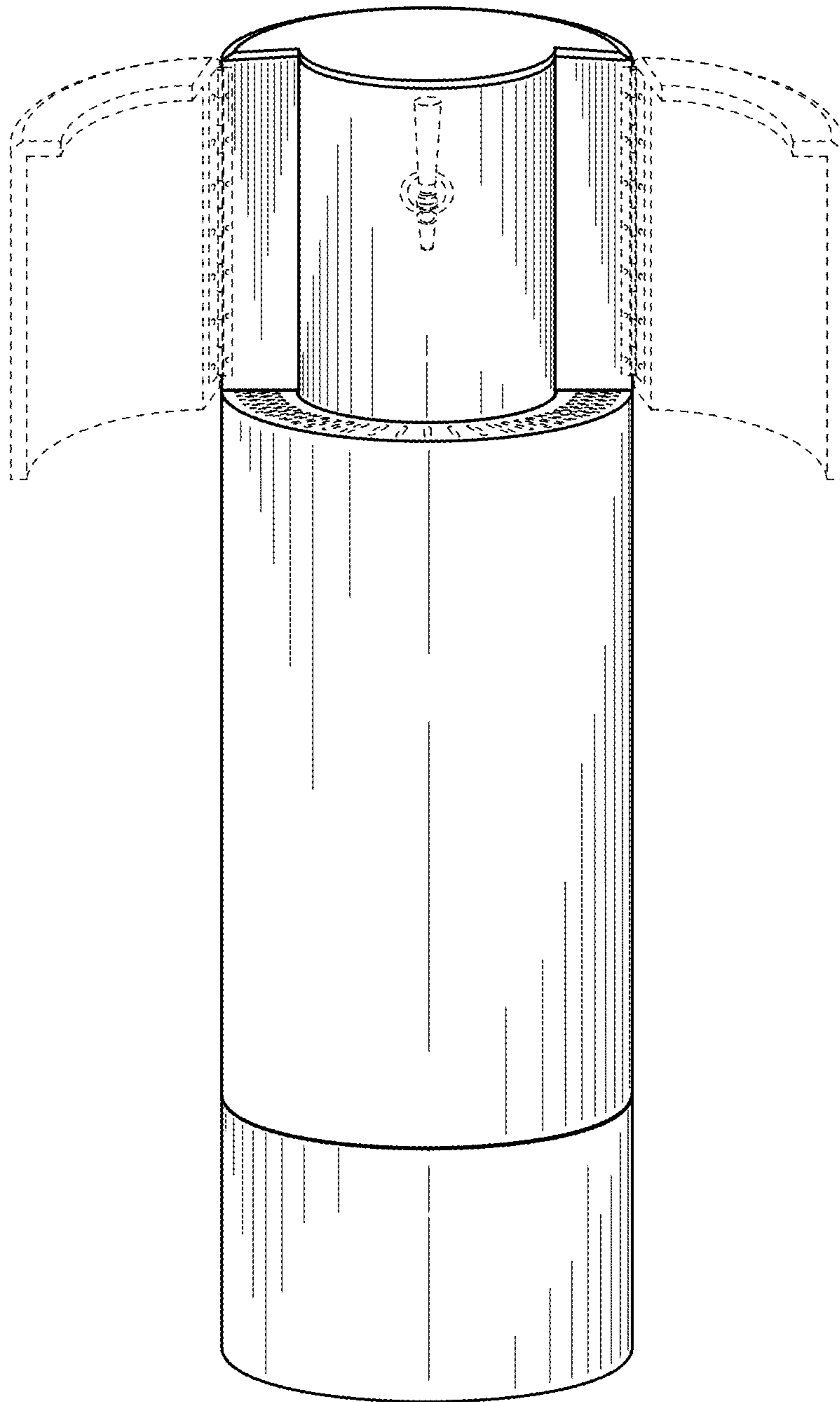


FIG. 3



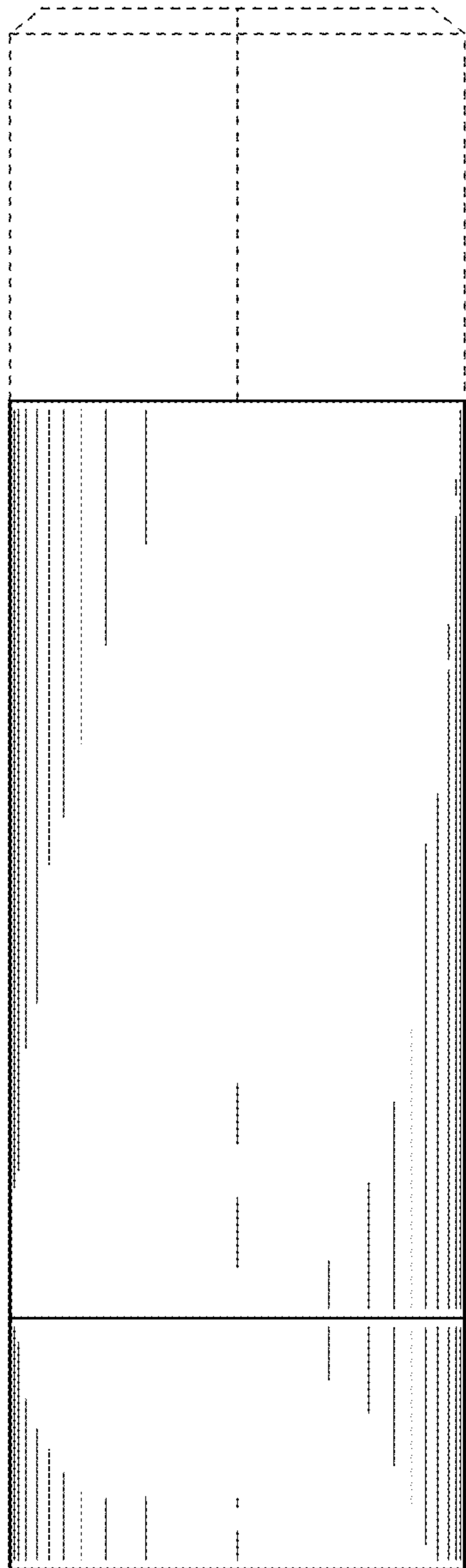


FIG. 4

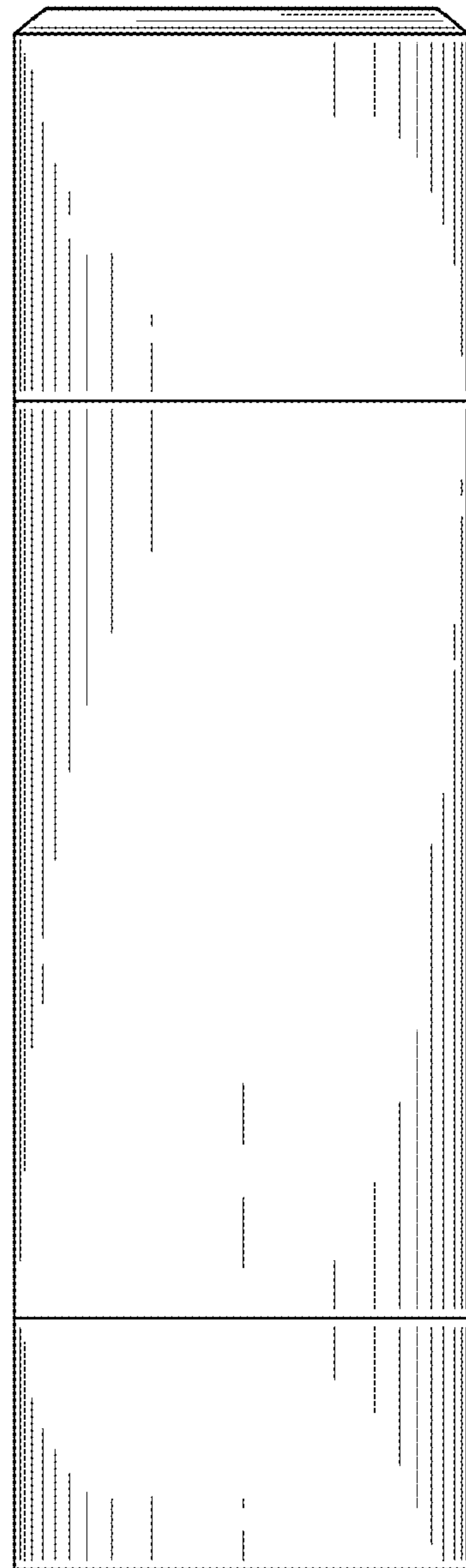


FIG. 5

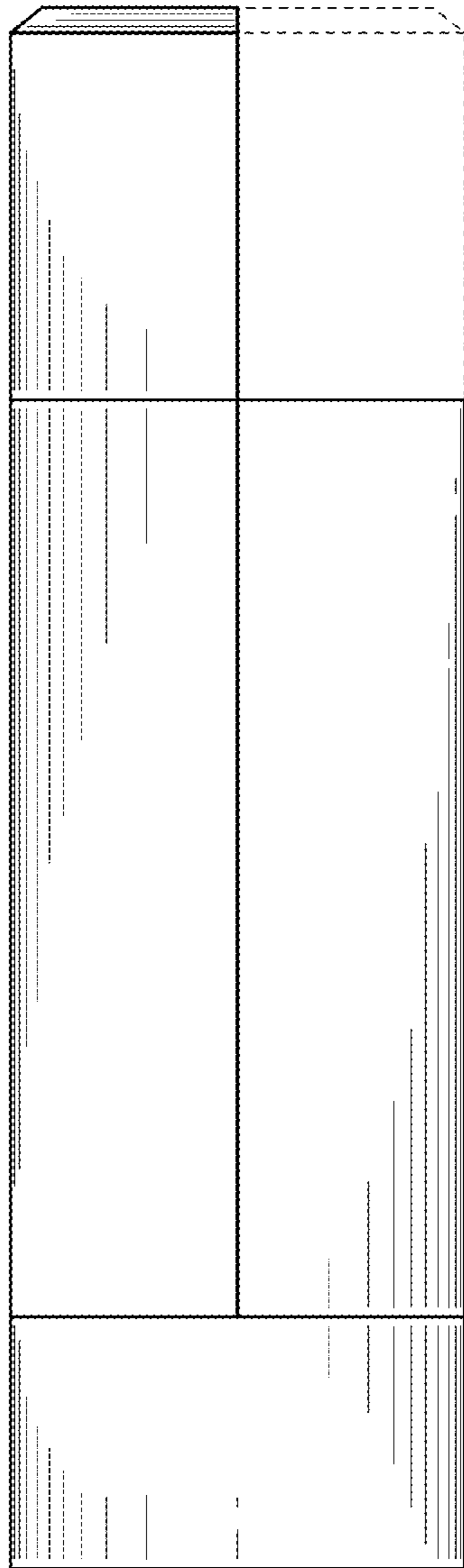


FIG. 6

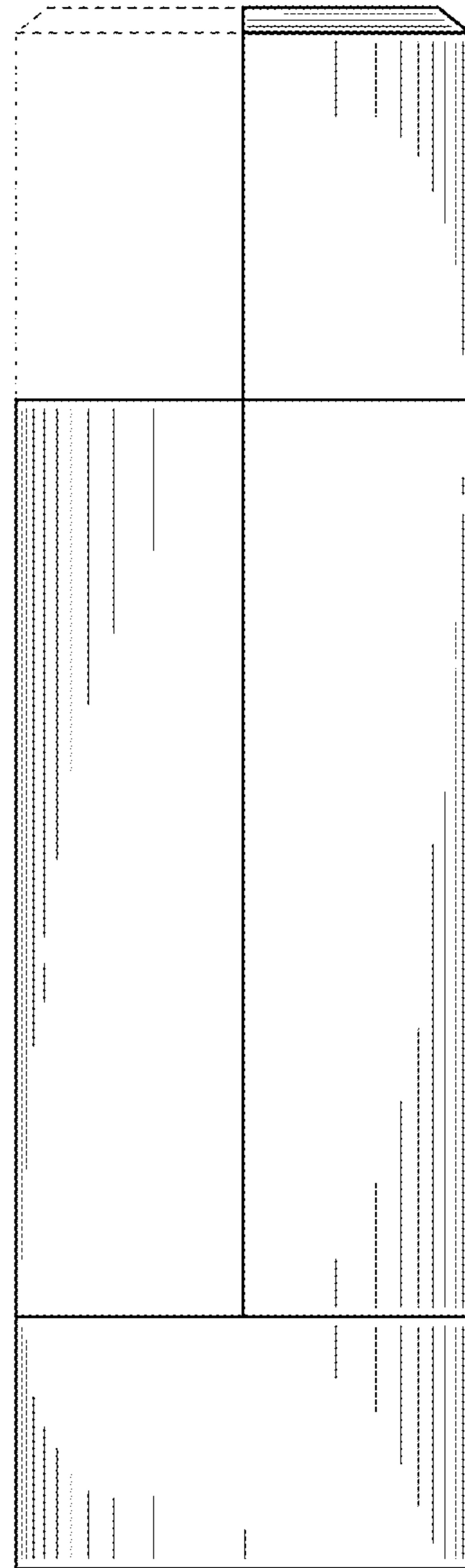


FIG. 7

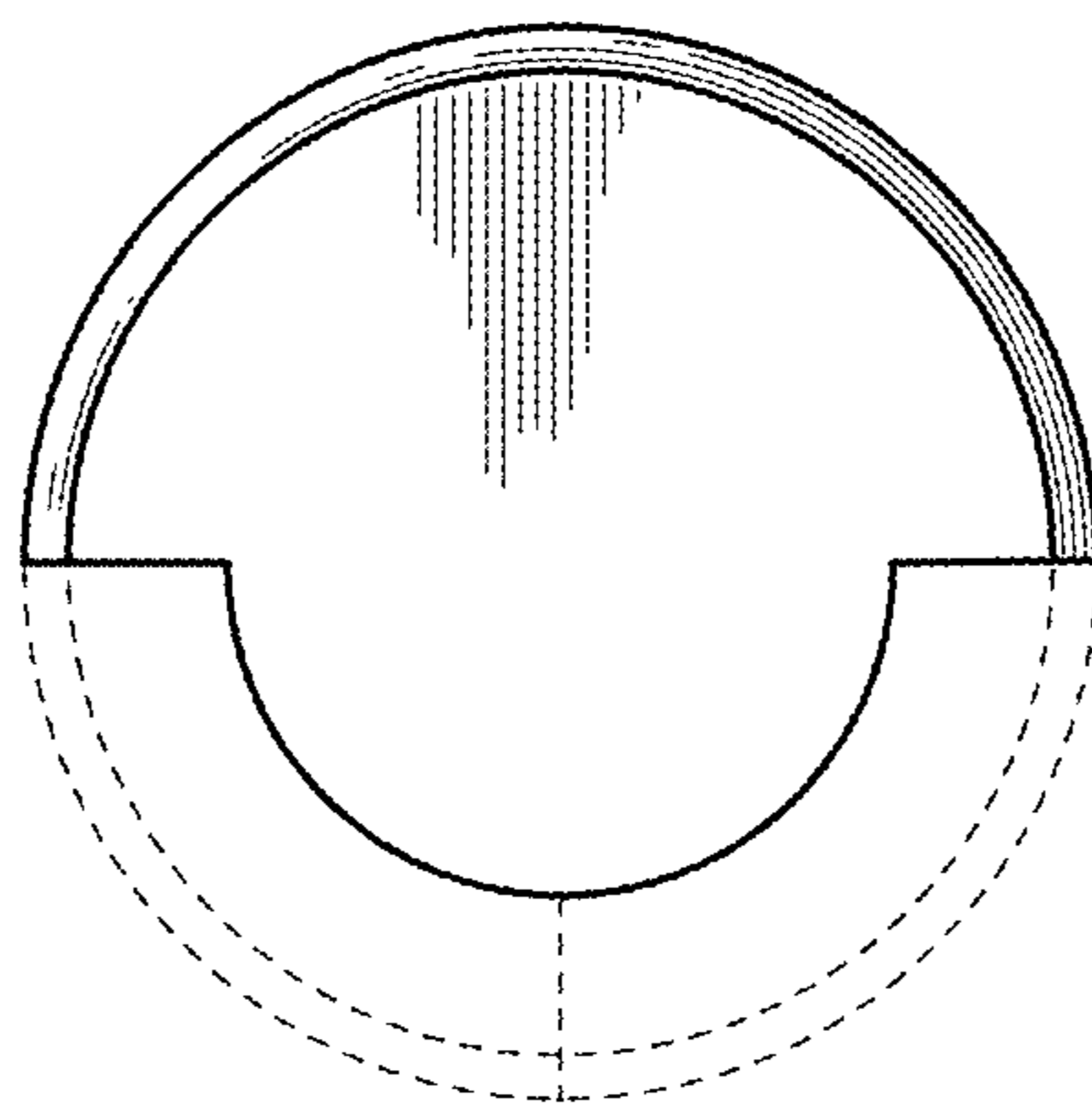


FIG. 8

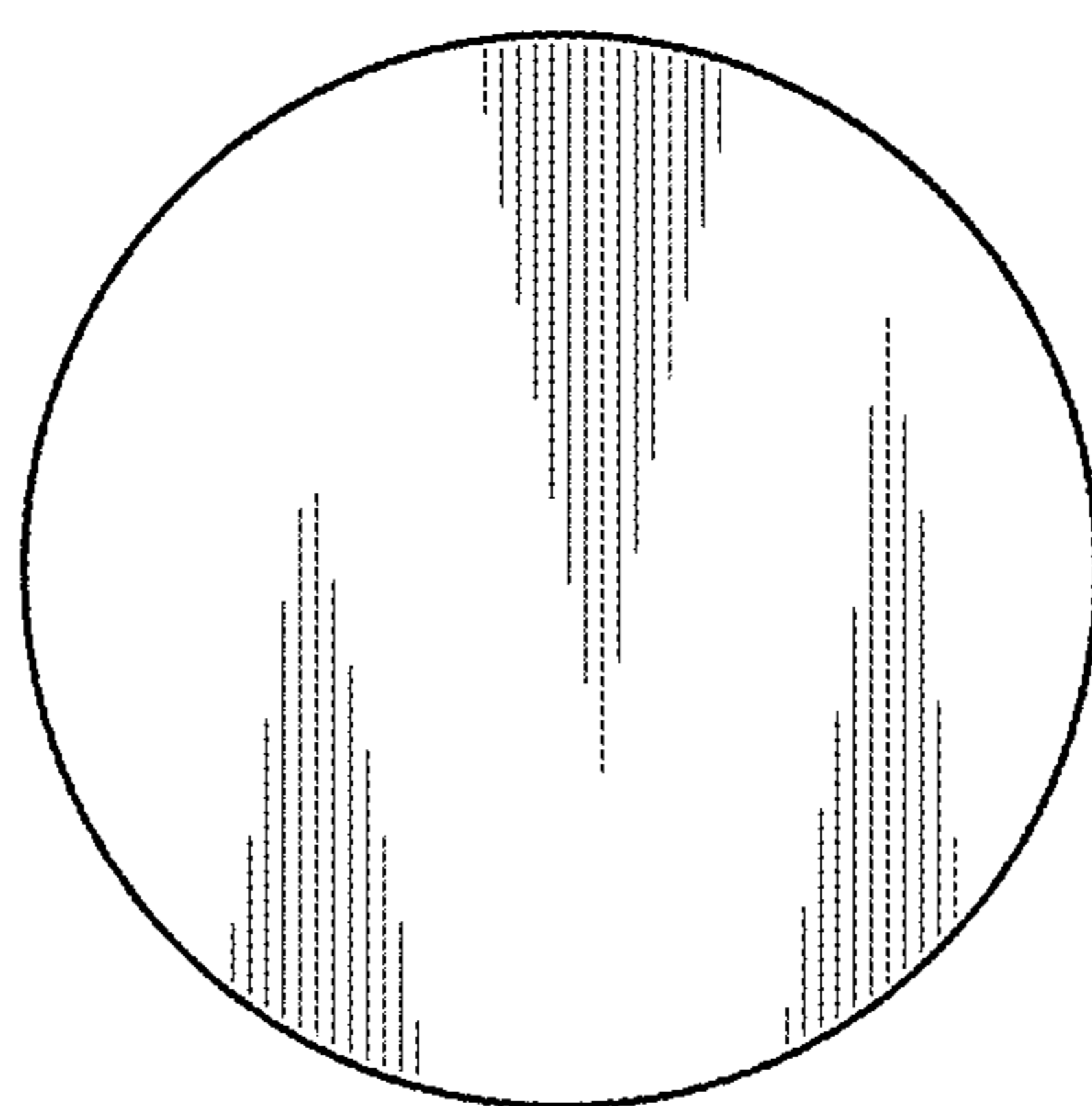


FIG. 9