



US00D752373S

(12) **United States Design Patent**
Bergum et al.

(10) **Patent No.:** **US D752,373 S**
(45) **Date of Patent:** **** Mar. 29, 2016**

- (54) **STORAGE CABINET COVER**
- (71) Applicant: **KNAACK LLC**, Crystal Lake, IL (US)
- (72) Inventors: **Robert A. Bergum**, Woodstock, IL (US); **Gerald A. Draffkorn**, Woodstock, IL (US)
- (73) Assignee: **KNAACK LLC**, Crystal Lake, IL (US)
- (**) Term: **15 Years**
- (21) Appl. No.: **29/541,702**
- (22) Filed: **Oct. 7, 2015**

Related U.S. Application Data

- (62) Division of application No. 29/464,782, filed on Aug. 21, 2013, now Pat. No. Des. 742,672.
- (51) **LOC (10) Cl.** **06-04**
- (52) **U.S. Cl.**
USPC **D6/707.19**
- (58) **Field of Classification Search**
USPC D3/279, 283–284, 286, 297, 318–319, D3/905; D6/657, 660–663, 664.1, 668, D6/668.1, 668.2, 669, 671, 671.1, 671.2, D6/671.3, 671.4, 675, 703, 705, 705.5, D6/707.19, 708; D34/19, 20, 21
CPC A47B 49/00; A47B 49/002; A47B 67/00; A47B 67/04; A47B 87/02; A47B 88/04; A47B 88/0411; A47B 88/20; A47B 2210/00; A47B 2210/004; A47B 2210/0078; A47B 2210/0008; A47F 3/00; B62B 3/00; B25H 3/00; B25H 3/003; B25H 3/006; B25H 3/02; B25H 3/021
See application file for complete search history.

(56) **References Cited**

U.S. PATENT DOCUMENTS

- D259,316 S 5/1981 Offredi
- D426,033 S 5/2000 Rooks

- D504,251 S * 4/2005 Kreiss D6/671.1
- D525,049 S * 7/2006 Mohundro D6/671.1
- D531,834 S * 11/2006 Baade D6/657
- D533,373 S 12/2006 Juneau
- D534,009 S * 12/2006 Juneau D6/657
- D534,379 S 1/2007 Juneau
- D548,488 S 8/2007 Weatherly
- D553,879 S 10/2007 Juneau
- D568,070 S 5/2008 Cartwright
- D571,779 S 6/2008 Matsuoka
- D587,033 S 2/2009 Martin et al.
- D609,497 S 2/2010 Kanthasamy
- D630,453 S * 1/2011 Rafieha D6/661
- D634,950 S 3/2011 Wahl et al.
- D686,015 S * 7/2013 Arko D6/703
- D687,250 S * 8/2013 Weatherly D6/661
- D690,963 S 10/2013 Stukenberg
- D693,612 S * 11/2013 Arko D6/708
- D718,560 S * 12/2014 Denby D6/708
- D722,792 S 2/2015 Everson et al.
- D724,356 S * 3/2015 Weatherly D6/661
- D732,855 S * 6/2015 Helser D6/660
- D741,628 S * 10/2015 Held D6/675
- D742,672 S * 11/2015 Bergum D6/707.19

* cited by examiner

Primary Examiner — Ricky Pham

(74) *Attorney, Agent, or Firm* — McDonnell Boehnen Hulbert & Berghoff LLP

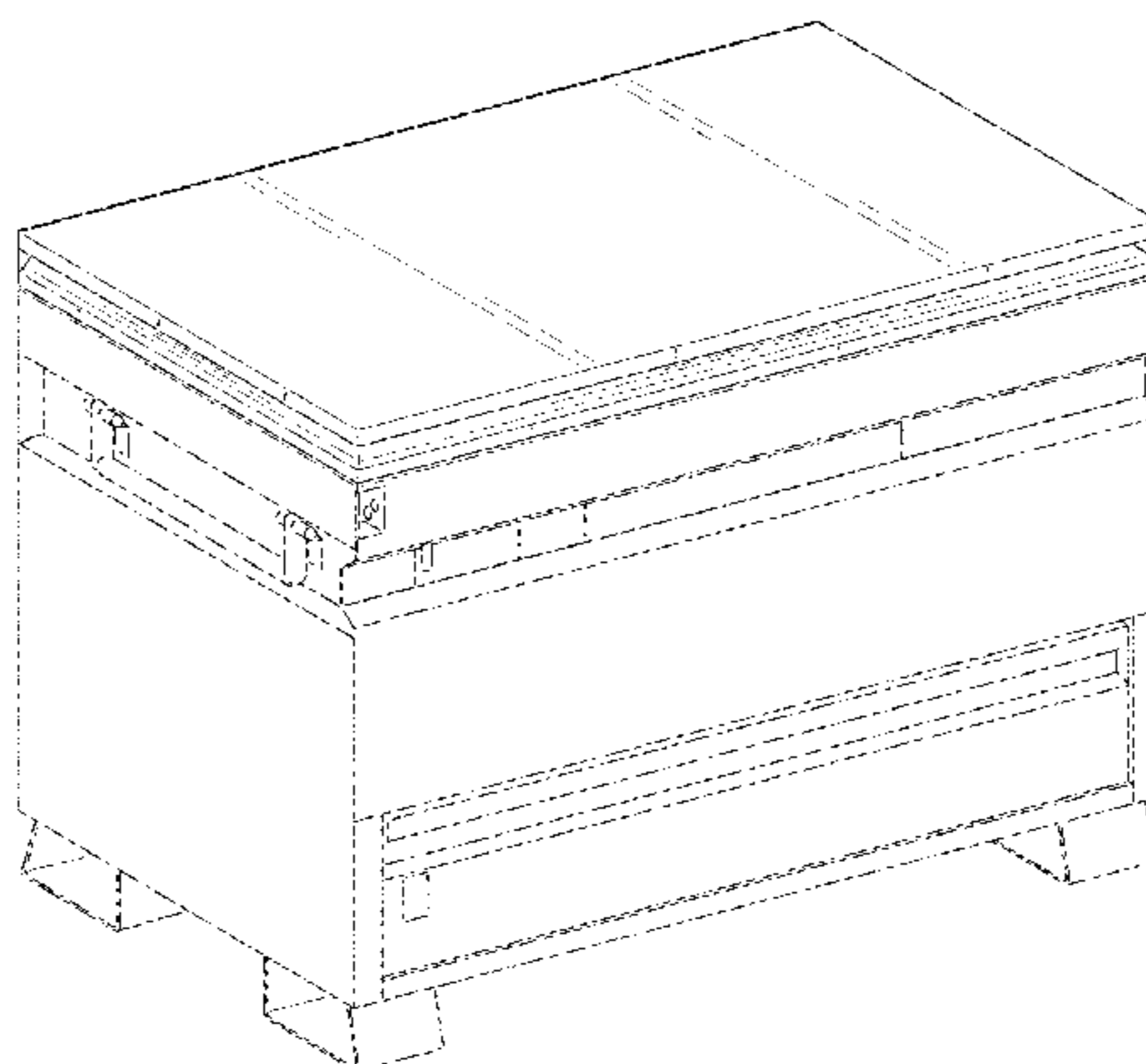
(57) **CLAIM**

The ornamental design for a storage cabinet cover, as shown and described.

DESCRIPTION

FIG. 1 is a perspective view of the storage cabinet cover of the present design;
 FIG. 2 is a front view thereof;
 FIG. 3 is a left side view thereof; and,
 FIG. 4 is a right side view thereof.
 The top, bottom, and rear views of the storage cabinet cover are flat and unornamented. The broken line portions of the drawings are for illustrative purposes only and form no part of the claimed design.

1 Claim, 4 Drawing Sheets



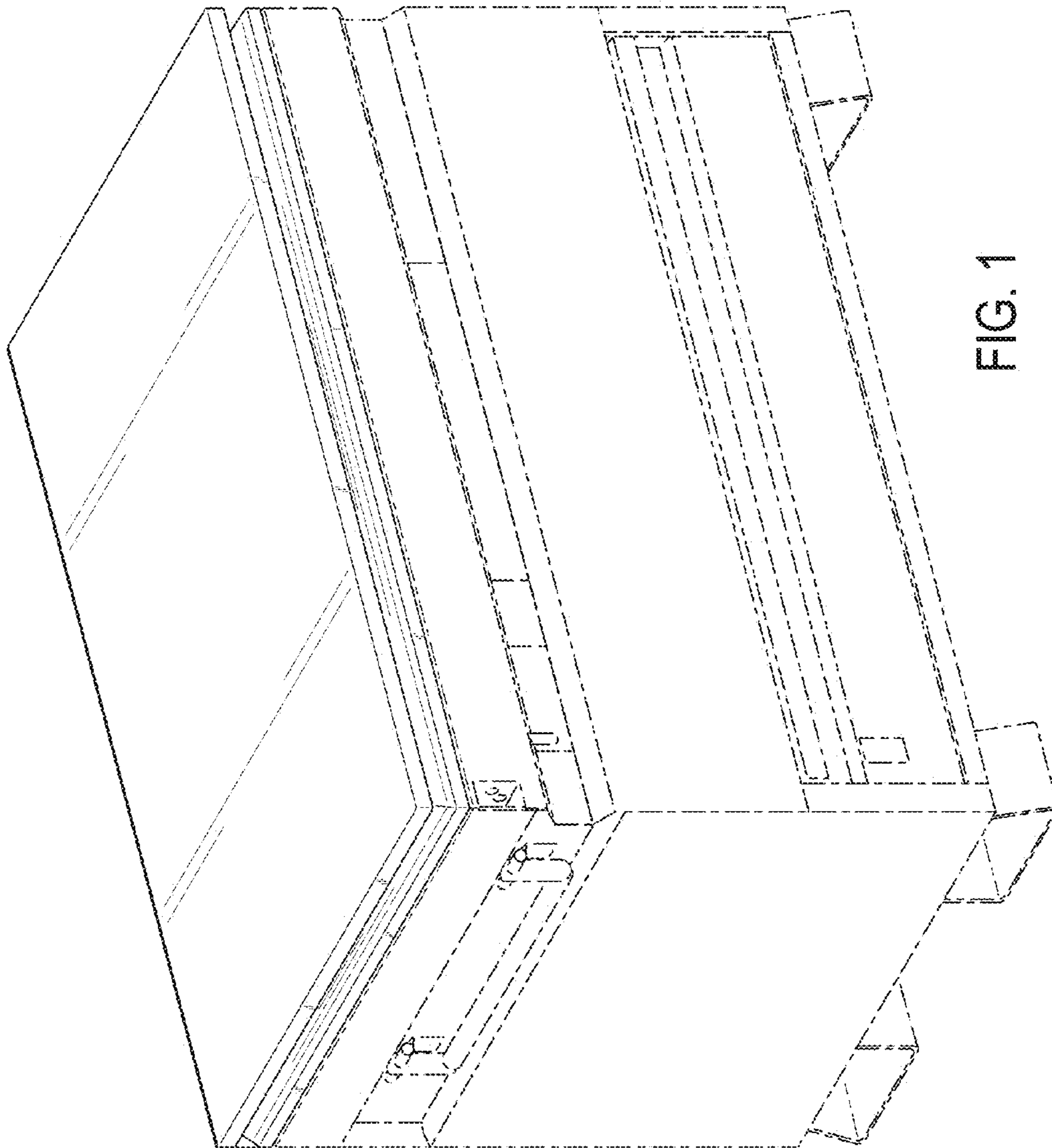


FIG. 1

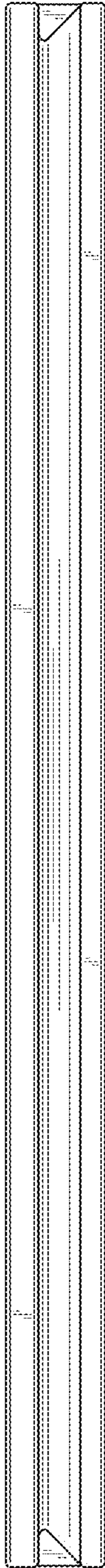


FIG. 2

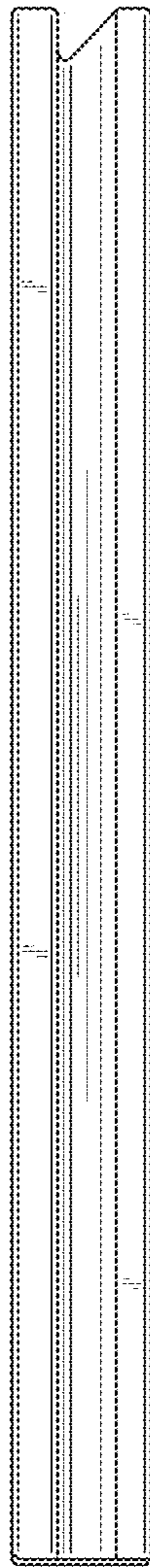


FIG. 3

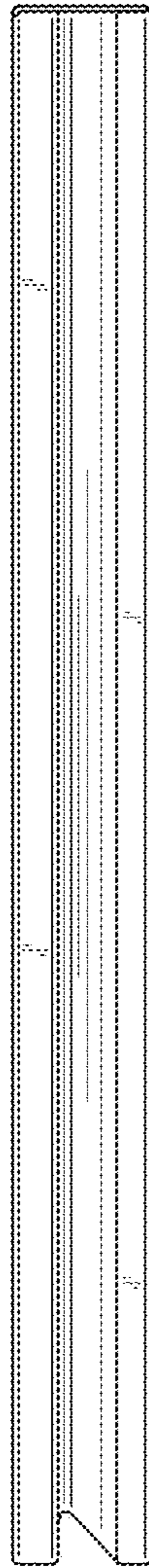


FIG. 4