



US00D752371S

(12) **United States Design Patent**  
**Do et al.**

(10) **Patent No.:** **US D752,371 S**  
(45) **Date of Patent:** **\*\* Mar. 29, 2016**

(54) **DISPLAY UNIT**

(71) Applicant: **Samsung Electronics Co., Ltd.**,  
Suwon-si (KR)

(72) Inventors: **Kyoung-Sub Do**, Seoul (KR); **Seo-Gyun Kim**, Suwon-si (KR); **Sung-Su Park**, Seoul (KR)

(73) Assignee: **Samsung Electronics Co., Ltd.**,  
Suwon-si (KR)

(\*\*) Term: **14 Years**

(21) Appl. No.: **29/510,455**

(22) Filed: **Nov. 28, 2014**

(30) **Foreign Application Priority Data**

Jun. 5, 2014 (KR) ..... 30-2014-0027682

(51) **LOC (10) Cl.** ..... **06-06**

(52) **U.S. Cl.**  
USPC ..... **D6/678**

(58) **Field of Classification Search**  
USPC ..... D6/657, 661, 661.3, 663, 668, 672, 678,  
D6/691, 691.3; D14/340; D19/90; D20/10,  
D20/43

CPC ..... A47B 67/00; A47F 5/0018; A47F 3/0404  
See application file for complete search history.

(56) **References Cited**

**U.S. PATENT DOCUMENTS**

D306,669 S \* 3/1990 Otema ..... D6/661  
D356,908 S \* 4/1995 Johansson ..... D6/661

D392,815 S \* 3/1998 Gunthert ..... D6/661  
D485,701 S \* 1/2004 Bridgewater ..... D6/661  
D490,063 S \* 5/2004 Miller ..... D14/126  
D564,786 S \* 3/2008 Mayer ..... D6/668.2  
D581,380 S \* 11/2008 Derocher ..... D14/127  
D605,423 S \* 12/2009 Hamilton ..... D6/671.1  
D618,644 S \* 6/2010 Graham ..... D14/127  
D621,102 S \* 8/2010 German ..... D30/158  
D655,535 S \* 3/2012 Ma ..... D6/702  
D679,707 S \* 4/2013 Aarrestad ..... D14/127  
D684,991 S \* 6/2013 Wenz ..... D14/488  
D697,862 S \* 1/2014 Nemeth ..... D12/192  
D699,487 S \* 2/2014 Trinh ..... D6/553  
D711,217 S \* 8/2014 Jacobs ..... D9/414  
D725,108 S \* 3/2015 Yeon ..... D14/376  
D728,280 S \* 5/2015 Weatherly ..... D6/671.1  
D735,687 S \* 8/2015 Bang ..... D14/126  
D738,647 S \* 9/2015 Muller ..... D6/669

\* cited by examiner

*Primary Examiner* — Kelley Donnelly

(74) *Attorney, Agent, or Firm* — NSIP Law

(57) **CLAIM**

We claim the ornamental design for a display unit, as shown and described.

**DESCRIPTION**

FIG. 1 is a front perspective view of a display unit showing our new design;

FIG. 2 is a front view thereof;

FIG. 3 is a rear view thereof;

FIG. 4 is a left-side view thereof;

FIG. 5 is a right-side view thereof;

FIG. 6 is a top view thereof; and,

FIG. 7 is a bottom view thereof.

**1 Claim, 5 Drawing Sheets**

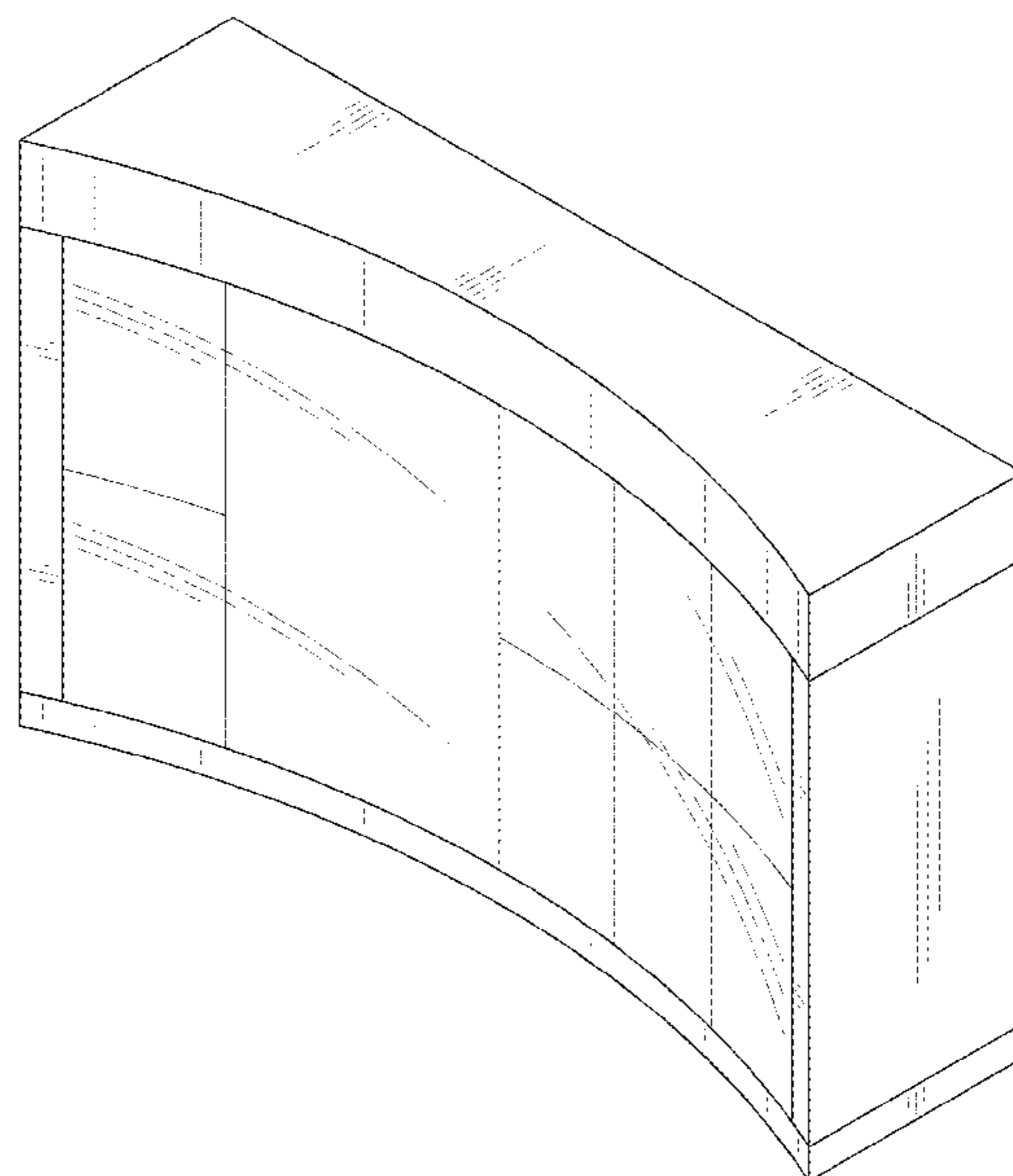


FIG. 1

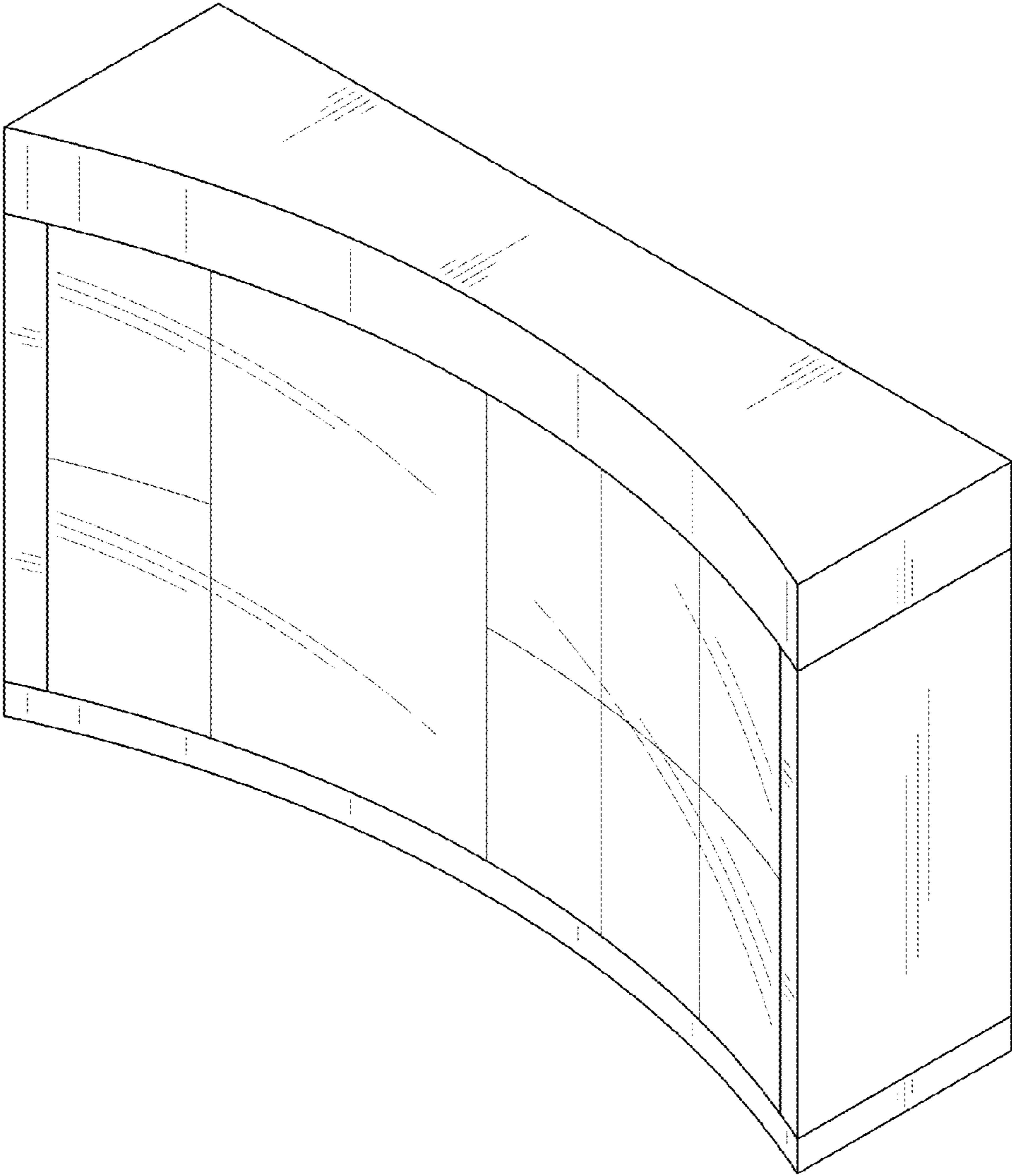


FIG. 2

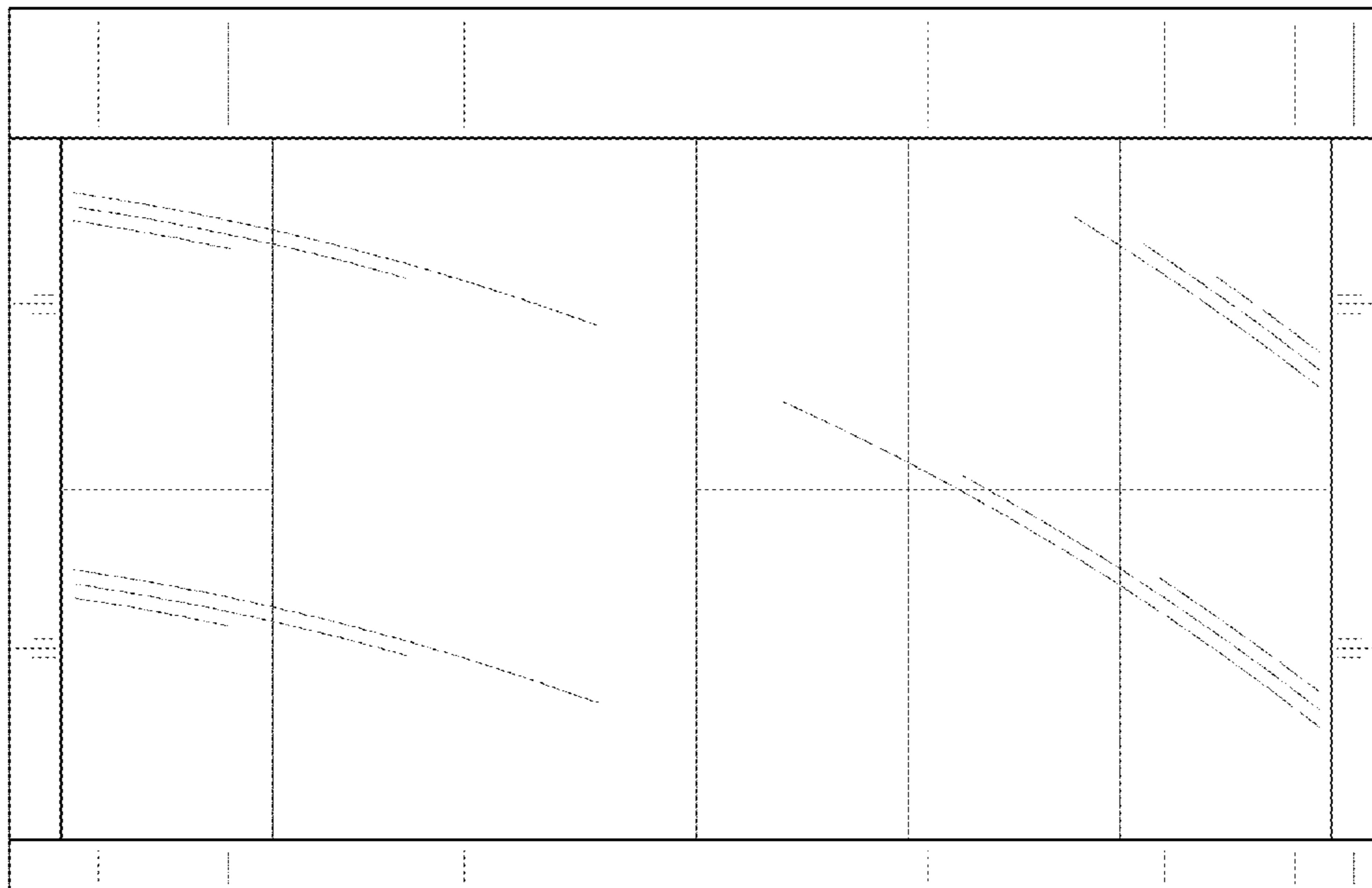


FIG. 3

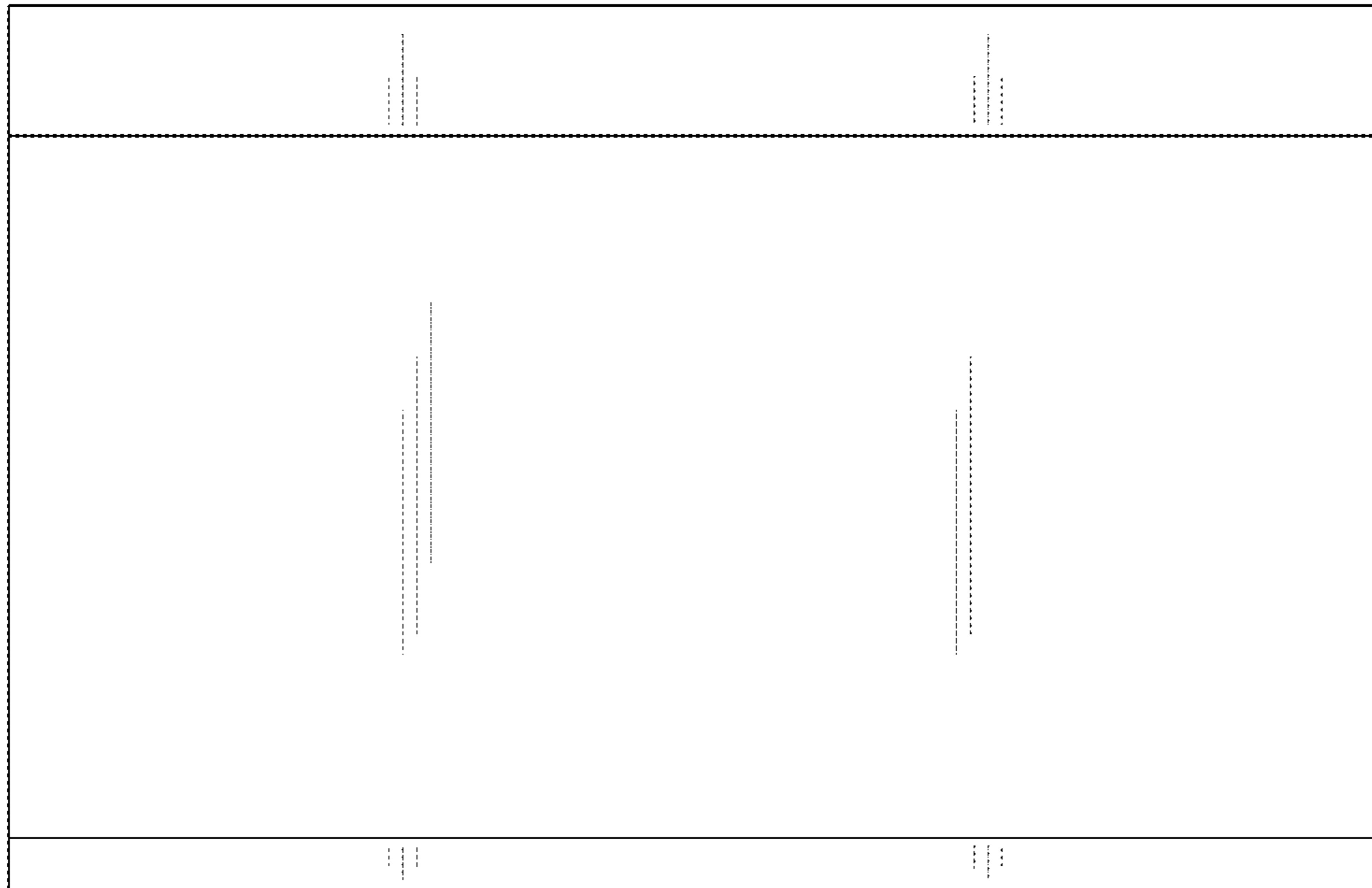


FIG. 4

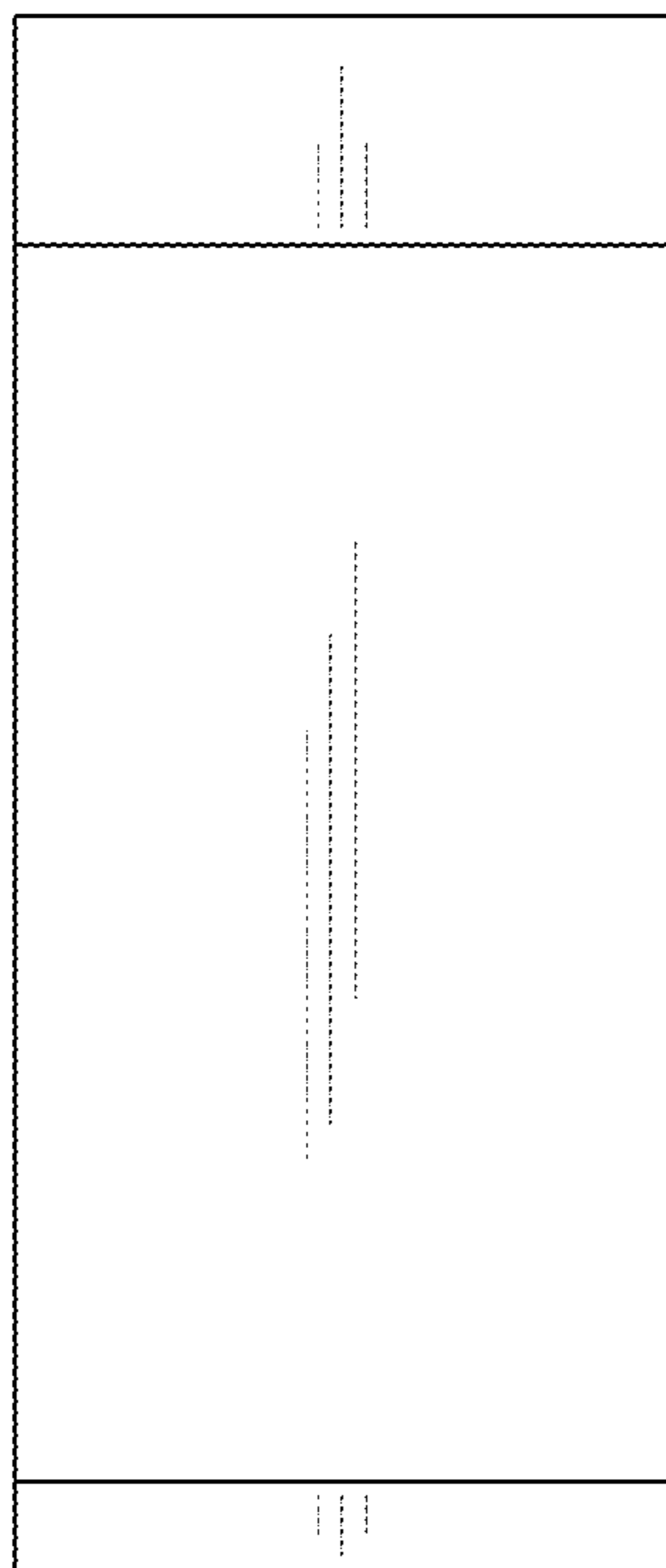


FIG. 5

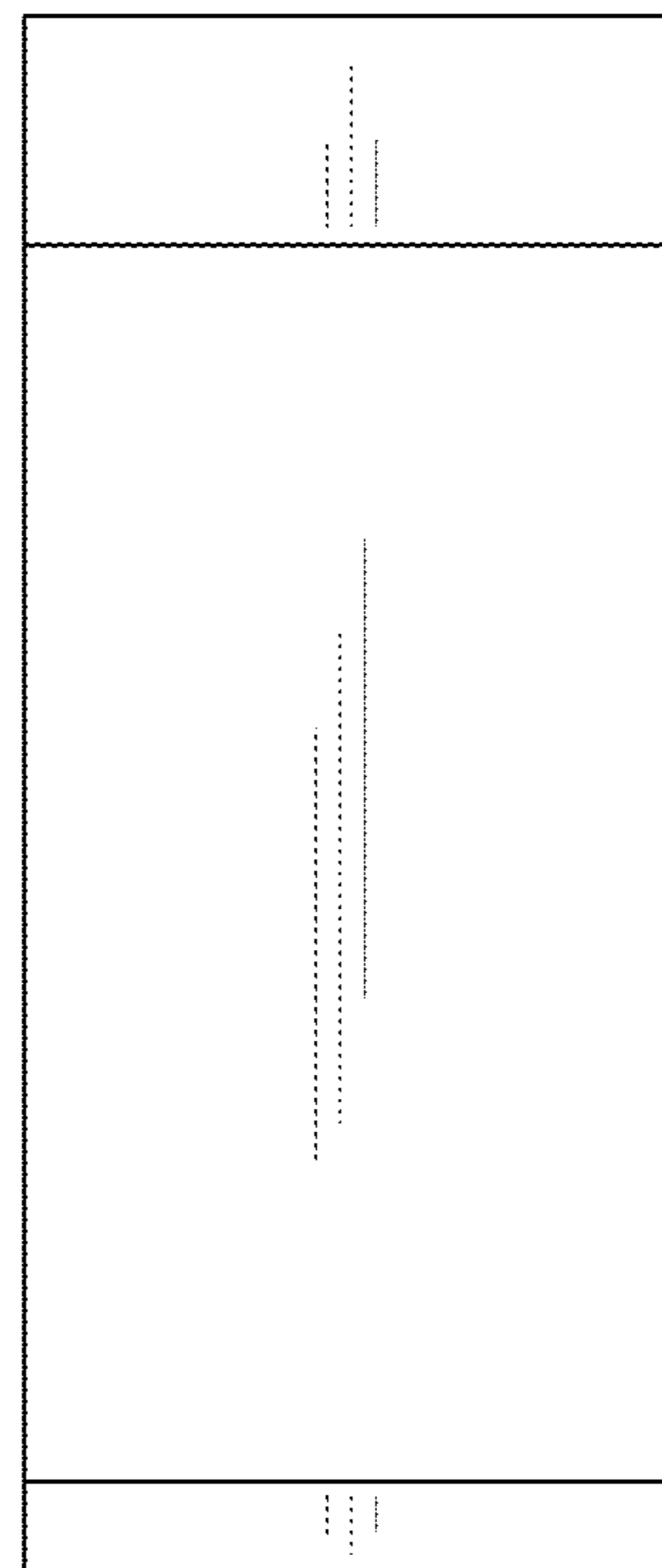


FIG. 6

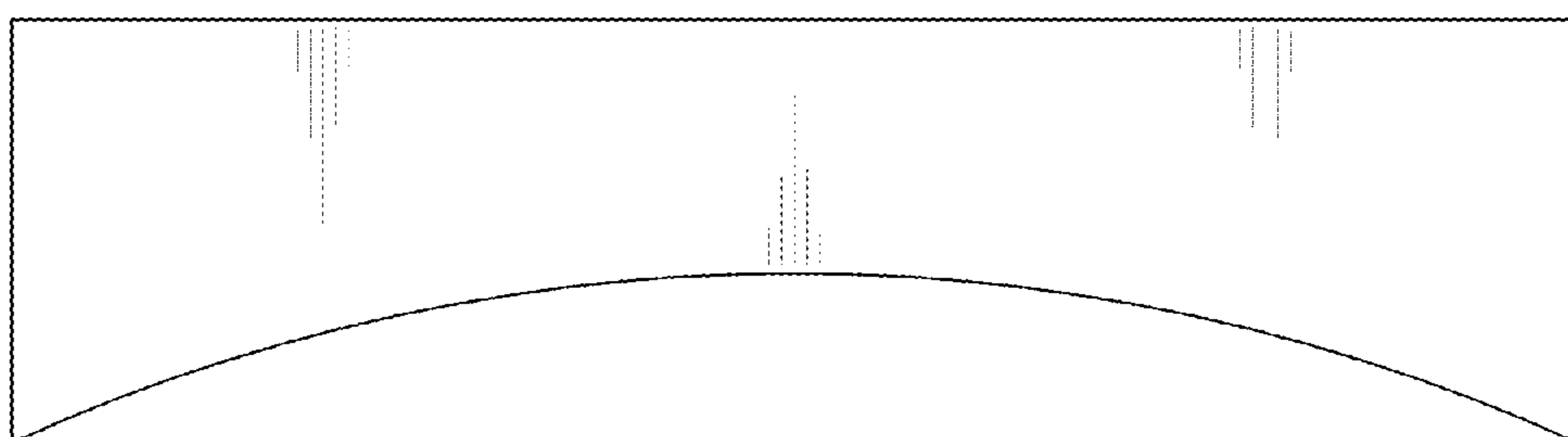


FIG. 7

