



US00D752370S

(12) **United States Design Patent**  
**Mchatet**

(10) **Patent No.:** **US D752,370 S**  
(45) **Date of Patent:** **\*\* Mar. 29, 2016**

(54) **FLOOR DISPLAY MERCHANDISER**

(71) Applicant: **Hamid Mchatet**, Miami, FL (US)

(72) Inventor: **Hamid Mchatet**, Miami, FL (US)

(\*\*) Term: **14 Years**

(21) Appl. No.: **29/521,291**

(22) Filed: **Mar. 23, 2015**

(51) **LOC (10) Cl.** ..... **06-06**

(52) **U.S. Cl.**  
USPC ..... **D6/675**

(58) **Field of Classification Search**  
USPC ..... D6/672, 673, 675–675.1, 675.3, 675.4  
CPC ..... A47B 43/00; A47B 49/00; A47F 1/00  
See application file for complete search history.

(56) **References Cited**

**U.S. PATENT DOCUMENTS**

3,891,092	A *	6/1975	Surette	.....	A47F 5/04 211/163
4,480,755	A *	11/1984	Cartwright	.....	A47F 5/02 211/163
D369,038	S *	4/1996	Lechleiter	.....	D6/680.2
D382,420	S *	8/1997	Woodward	.....	D6/680.2
D385,130	S *	10/1997	Woodward	.....	D6/680.2
D401,083	S *	11/1998	Woodward	.....	D6/680
D435,182	S *	12/2000	Mason	.....	D6/680.2
6,443,317	B1 *	9/2002	Brozak, Jr.	.....	A47F 7/021 211/85.1
D500,417	S *	1/2005	Levin	.....	D6/680.2

D500,418	S *	1/2005	Levin	.....	D6/680.2
D534,372	S *	1/2007	Babbino	.....	D6/680.2
D564,793	S *	3/2008	Shea	.....	D6/677
D573,809	S *	7/2008	Levy	.....	D6/682.6
D582,175	S *	12/2008	Levy	.....	D6/680.2
D632,508	S *	2/2011	Levy	.....	D6/680.2
D639,580	S *	6/2011	Clemence	.....	D6/674
D644,453	S *	9/2011	Levy	.....	D6/680.2
D654,727	S *	2/2012	Shea	.....	D6/682.2
D682,582	S *	5/2013	Levy	.....	D6/680.2
D700,464	S *	3/2014	Brevda	.....	D6/675
D718,077	S *	11/2014	Schneider, Jr.	.....	D6/675
2008/0156749	A1 *	7/2008	Shea	.....	A47F 5/0018 211/7

\* cited by examiner

*Primary Examiner* — Kelley Donnelly

(74) *Attorney, Agent, or Firm* — Albert Bordas, P.A.

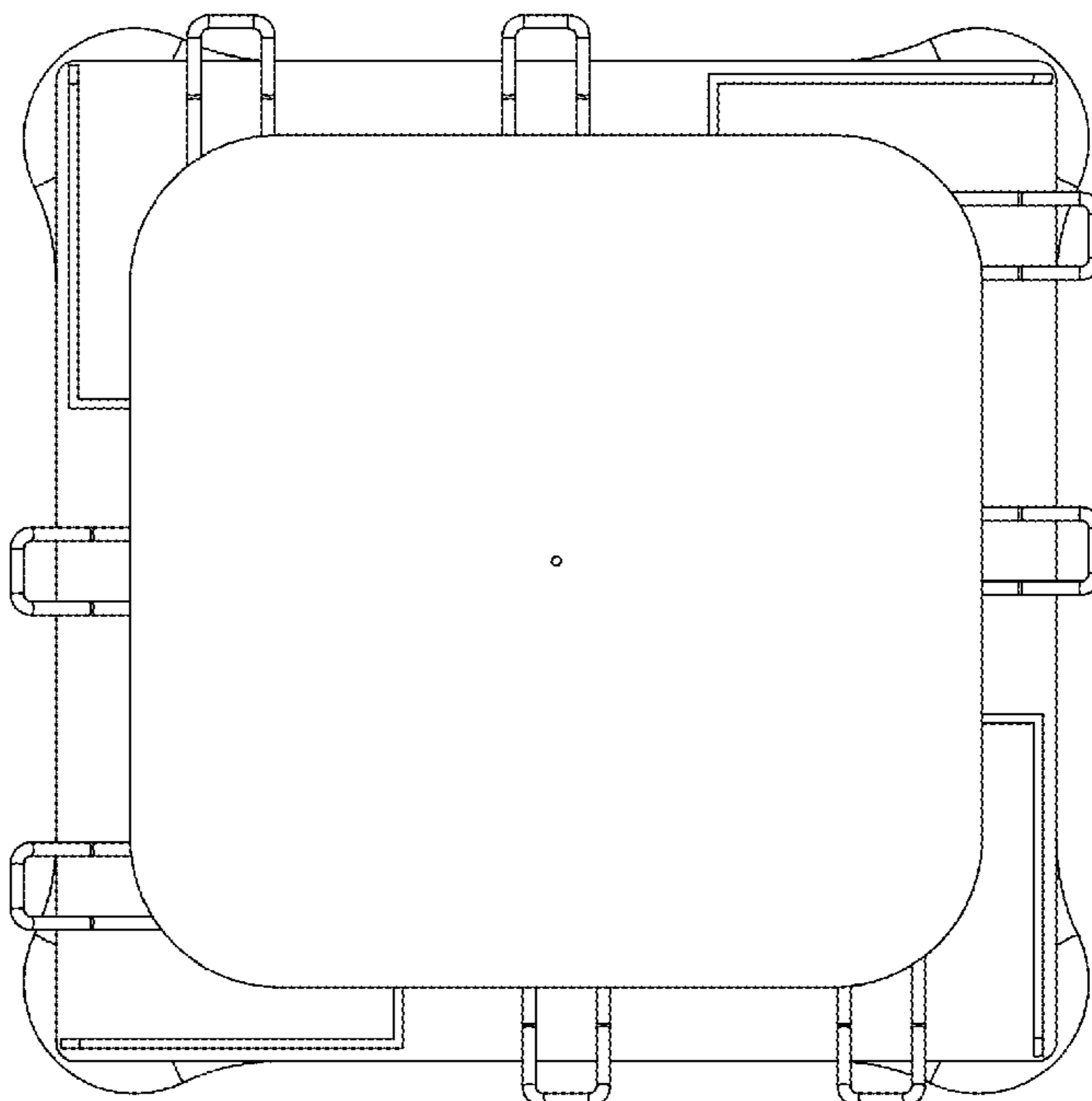
(57) **CLAIM**

The ornamental design for a floor display merchandiser, as shown and described.

**DESCRIPTION**

FIG. 1 is a top plan view of a floor display merchandiser; FIG. 2 is a front elevational view thereof, the left-side elevational view, right-side elevational view, and rear elevational view being identical images thereof; FIG. 3 is a bottom plan view thereof; and, FIG. 4 is a front isometric view thereof. The broken lines are for environmental purposes only and form no part of the claimed design. The claimed floor display is used to display products.

**1 Claim, 4 Drawing Sheets**



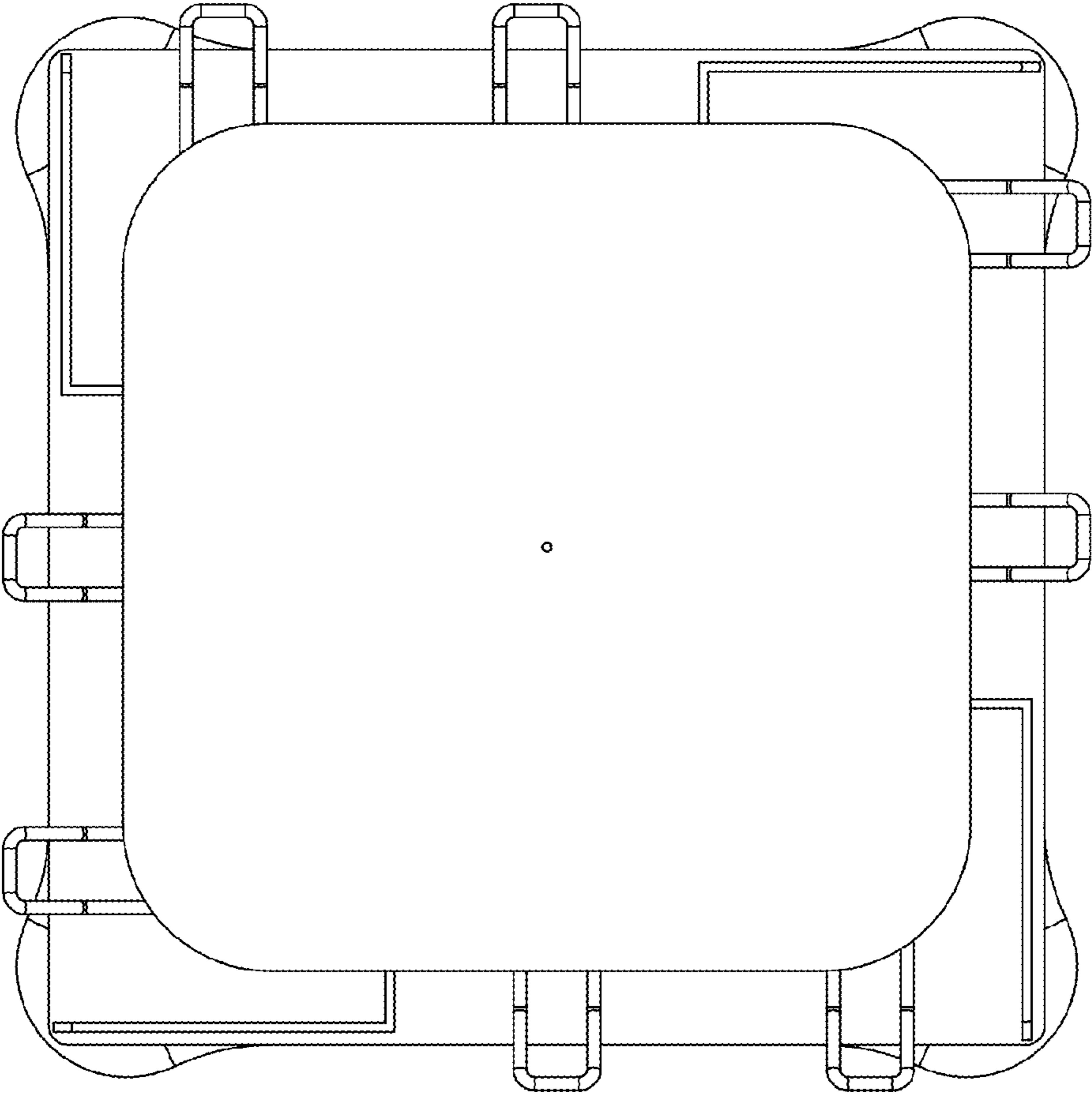


Fig. 1

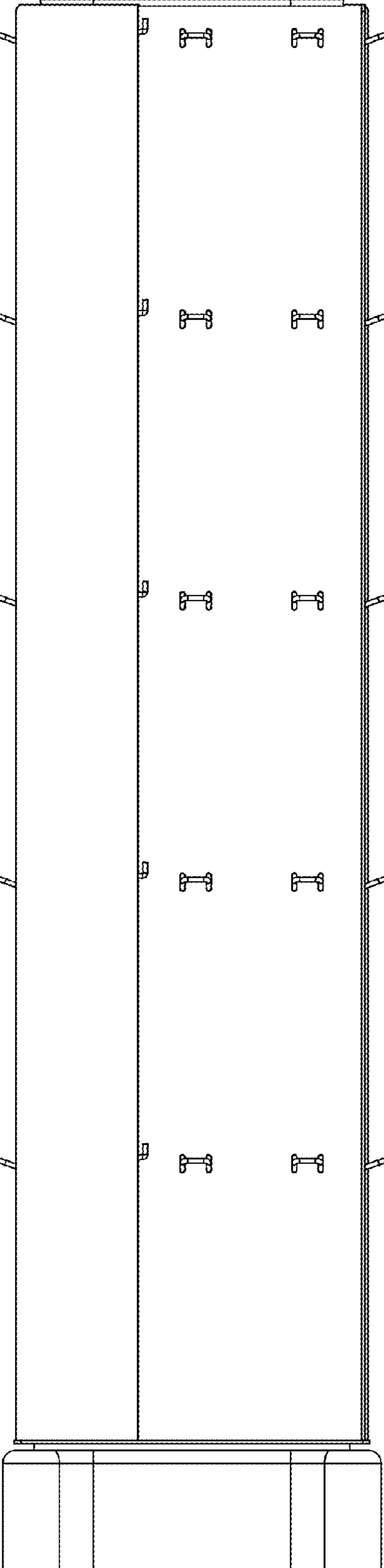


Fig. 2

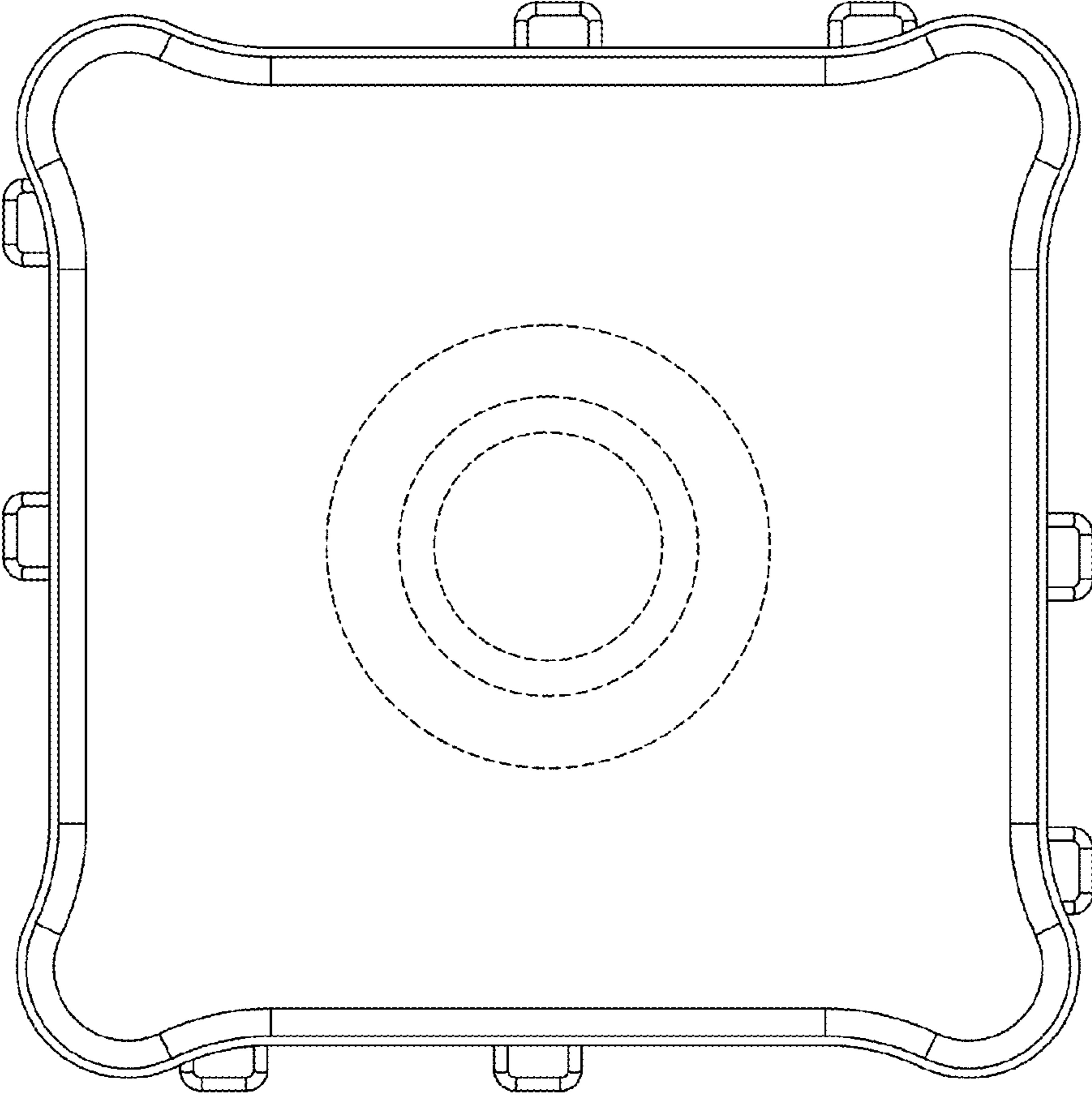


Fig 3

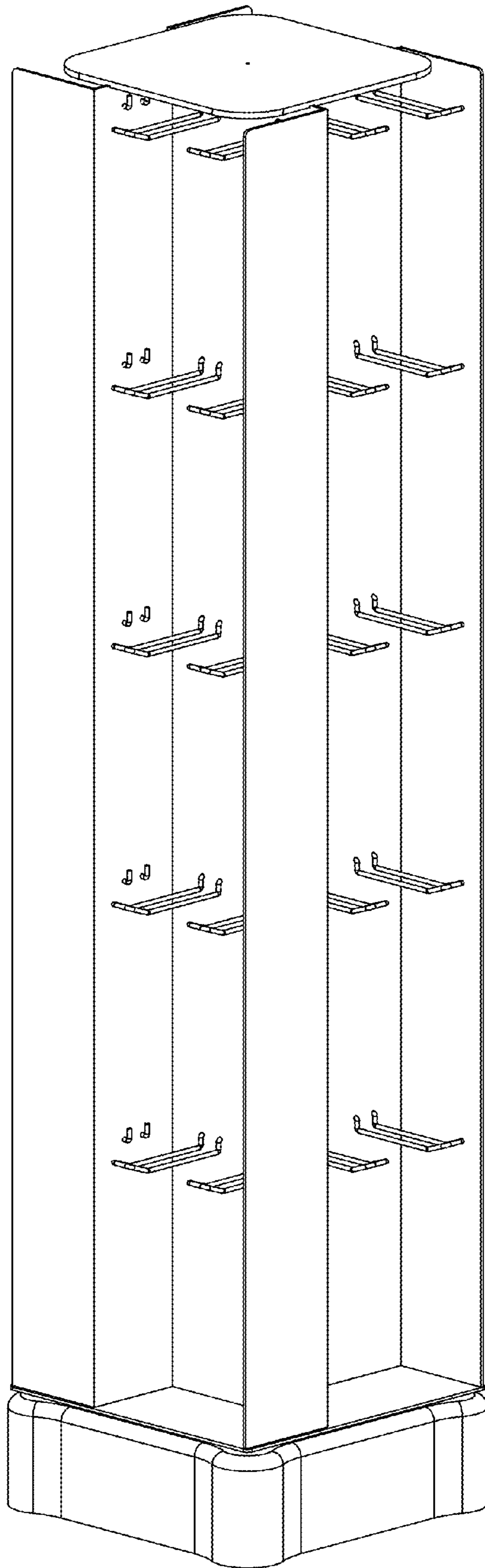


Fig. 4