



US00D752369S

(12) **United States Design Patent**
Coleman et al.

(10) **Patent No.:** **US D752,369 S**
(45) **Date of Patent:** **** Mar. 29, 2016**

- (54) **RETAIL CARD TRAY**
- (71) Applicant: **American Greetings Corporation**,
Cleveland, OH (US)
- (72) Inventors: **Kwa-Chang Coleman**, Bedford, OH
(US); **Elizabeth A. Vidas**, Brunswick,
OH (US); **Joel Hageman**, Lakewood,
OH (US)
- (73) Assignee: **Americam Greetings Corporation**,
Cleveland, OH (US)
- (**) Term: **14 Years**
- (21) Appl. No.: **29/489,043**
- (22) Filed: **Apr. 25, 2014**
- (51) **LOC (10) Cl.** **06-06**
- (52) **U.S. Cl.**
USPC **D6/675**
- (58) **Field of Classification Search**
USPC D6/672, 673, 675; D7/550.1, 553.1,
D7/553.2, 553.3
CPC B65D 1/34; B65D 1/36; B65D 21/00;
B65D 21/08
See application file for complete search history.

D402,137 S	12/1998	Blazevich	
D451,676 S *	12/2001	Dembicks	D3/313
7,044,739 B2 *	5/2006	Matson	G09B 19/0092 434/127
7,258,265 B2	8/2007	Loew	
D555,938 S *	11/2007	Brisco	D3/313
D575,966 S	9/2008	Hopkins	
D628,673 S	12/2010	Dittmann et al.	
D628,674 S *	12/2010	Dittmann	D23/209
D635,364 S *	4/2011	Benetti	D3/313
D660,085 S *	5/2012	Boone	D7/553.2
D689,939 S *	9/2013	Hu	D19/77
D697,744 S *	1/2014	Lipper McCauley	D6/706
D746,643 S *	1/2016	Kraemer	D7/637
2008/0257780 A1	10/2008	Bancroft et al.	

* cited by examiner

Primary Examiner — Kelley Donnelly

(74) *Attorney, Agent, or Firm* — Christine Flanagan

(57) **CLAIM**

The ornamental design for a retail card tray, as shown and described.

DESCRIPTION

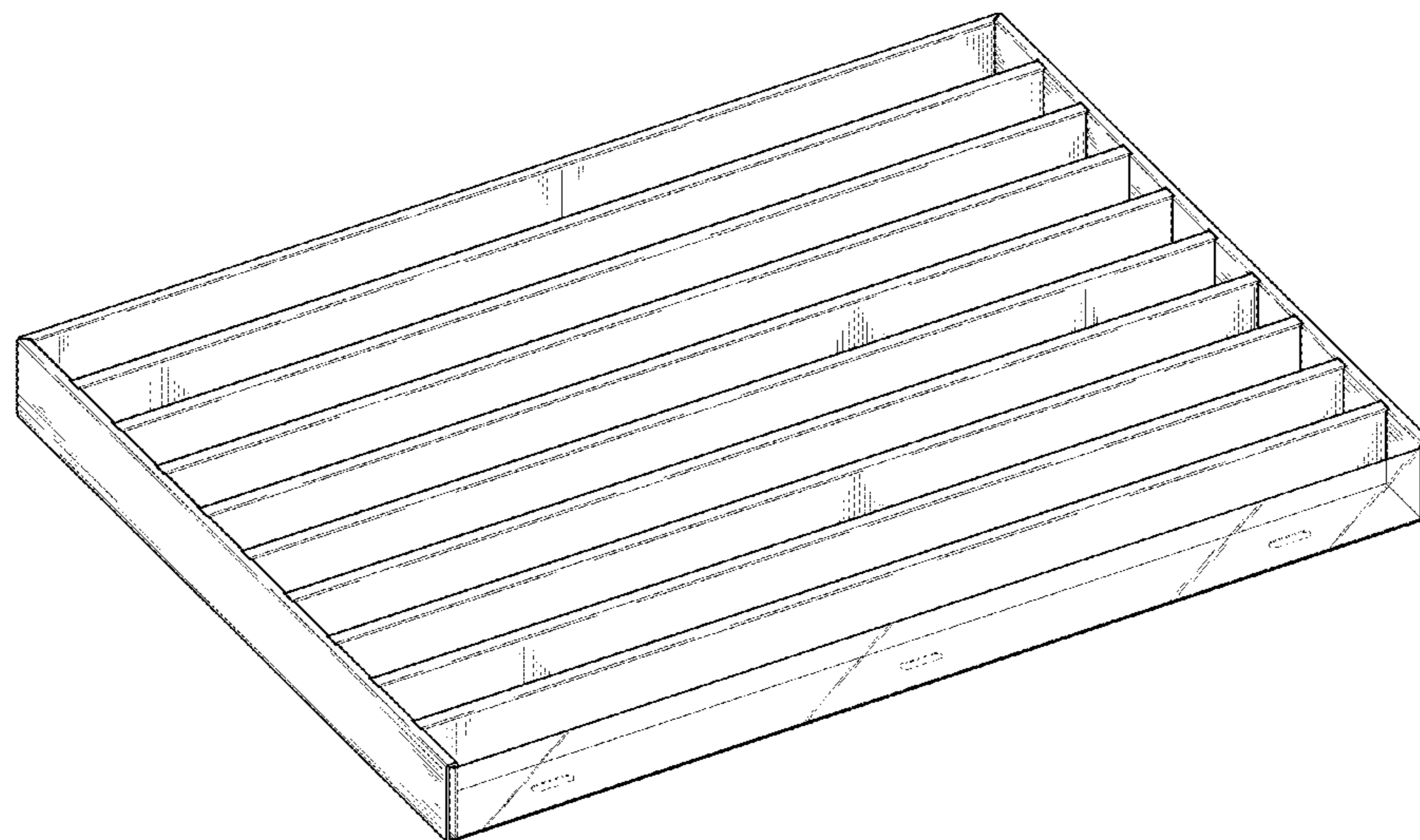
FIG. 1 is a perspective view of the retail card tray of the present invention.
 FIG. 2 is a top view of the retail card tray of FIG. 1.
 FIG. 3 is a bottom view of the retail card tray of FIG. 1.
 FIG. 4 is a left side view of the retail card tray of FIG. 1, the right side view being a mirror image thereof.
 FIG. 5 is a front view of the retail card tray of FIG. 1.
 FIG. 6 is a rear view of the retail card tray of FIG. 1; and,
 FIG. 7 is a perspective view of the retail card tray of FIG. 1, with dividers removed.
 The broken lines are for the purpose of illustrating the environment of the design only and form no part of the claimed design.

1 Claim, 5 Drawing Sheets

(56) **References Cited**

U.S. PATENT DOCUMENTS

3,467,247 A	9/1969	Weiss	
D252,423 S *	7/1979	Bokor	D6/629
D274,205 S	6/1984	Kates	
D295,232 S *	4/1988	Castel	D3/24
4,834,243 A	5/1989	Langenbeck	
5,265,729 A	11/1993	Carlin	
D358,525 S	5/1995	Sedon et al.	
D360,264 S *	7/1995	Wolff	D24/224
5,573,117 A	11/1996	Adams	



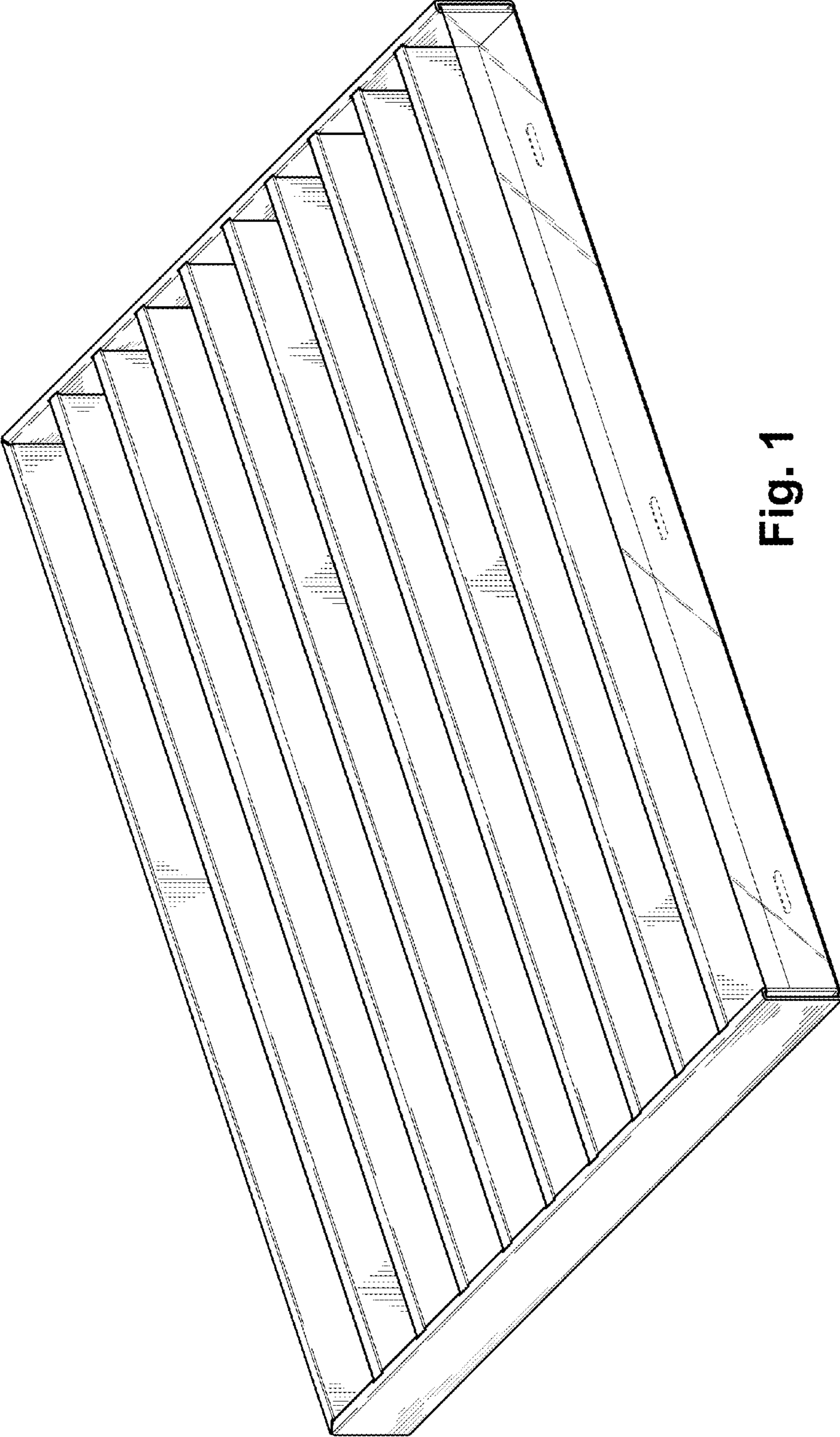


Fig. 1

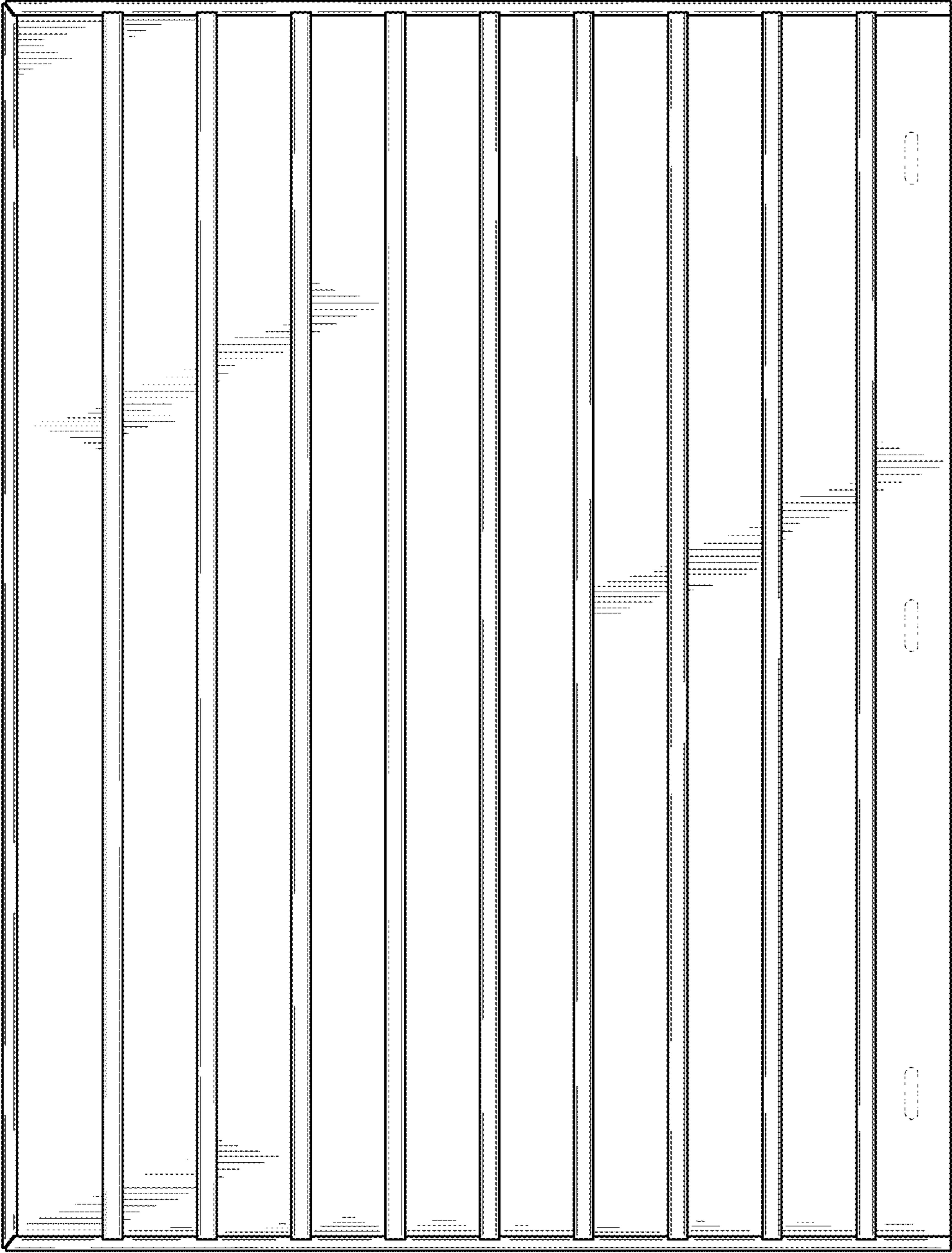


Fig. 2

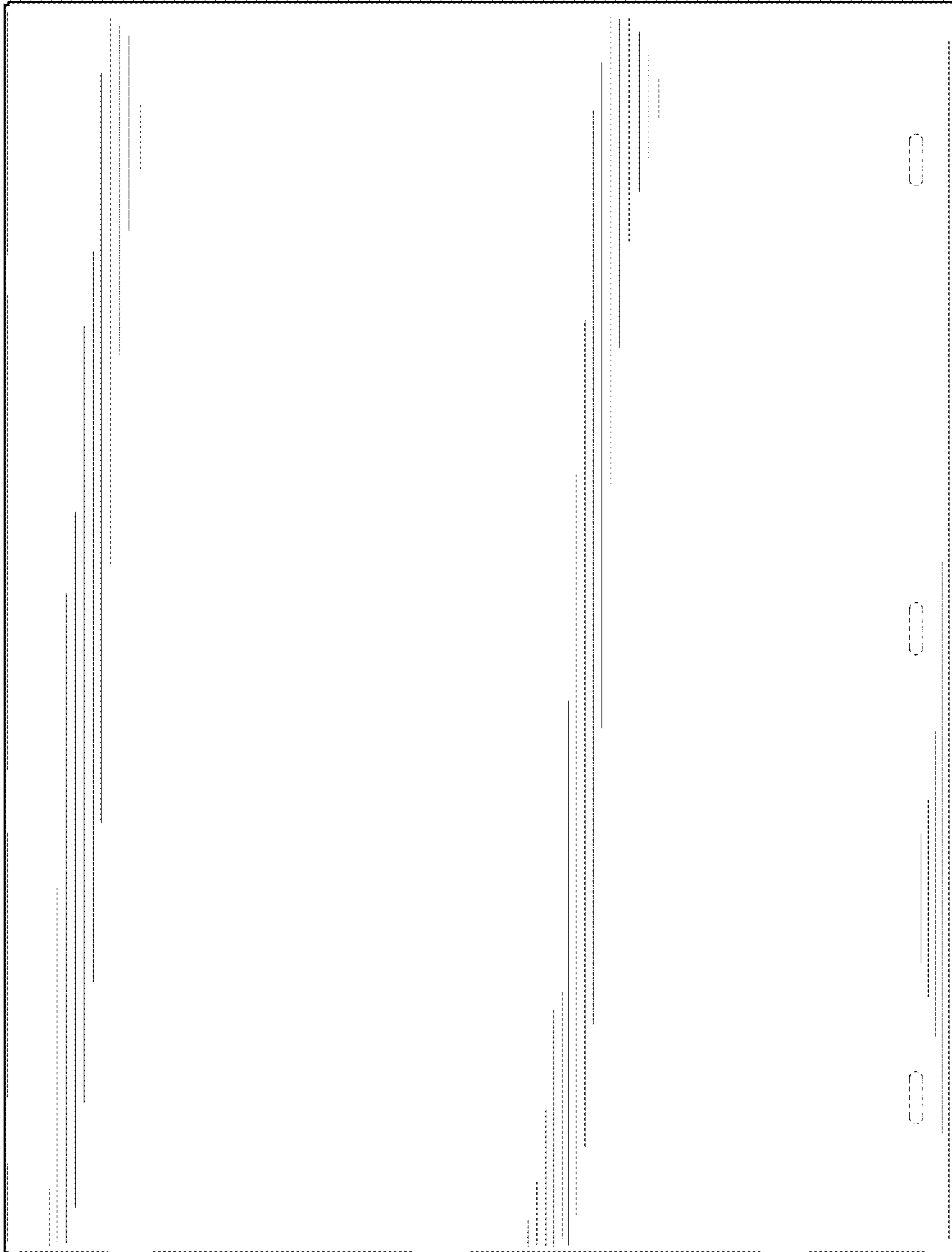


Fig. 3

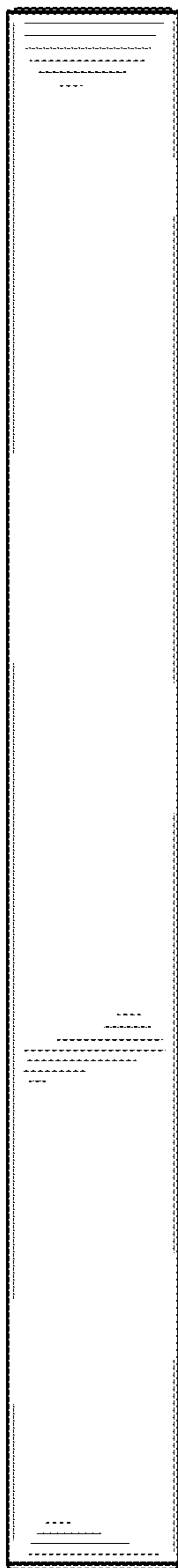


Fig. 4

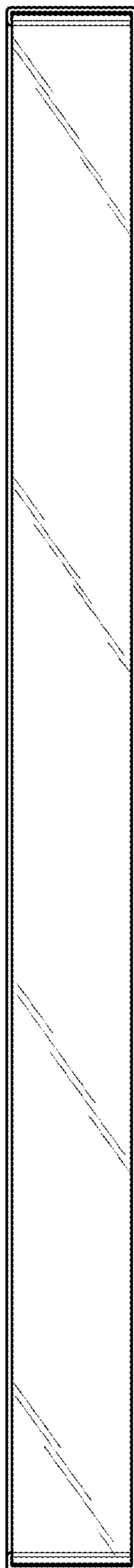


Fig. 5

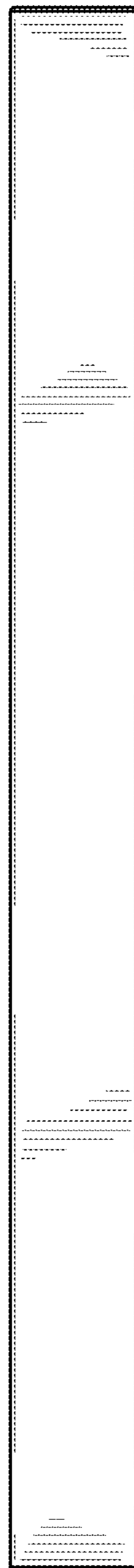


Fig. 6

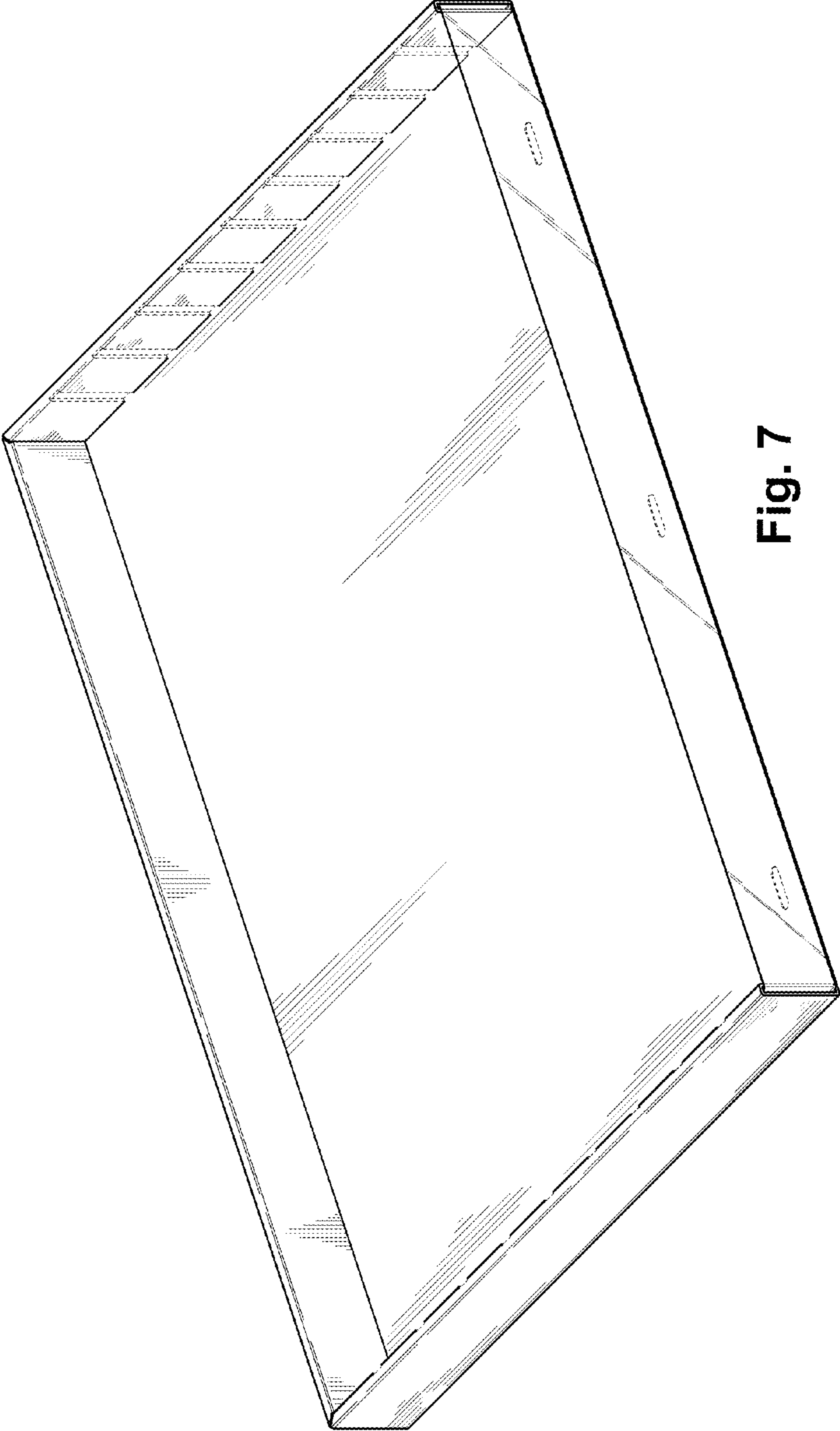


Fig. 7