



US00D752368S

(12) **United States Design Patent**
Kroll

(10) **Patent No.:** **US D752,368 S**
(45) **Date of Patent:** **** Mar. 29, 2016**

(54) **CROSS-SHAPED DISPLAY STAND**

(71) Applicant: **William F. Kroll**, Boca Raton, FL (US)

(72) Inventor: **William F. Kroll**, Boca Raton, FL (US)

(**) Term: **14 Years**

(21) Appl. No.: **29/494,783**

(22) Filed: **Jun. 24, 2014**

(51) **LOC (10) Cl.** **06-04**

(52) **U.S. Cl.**

USPC **D6/674**; D20/29; D99/23; D99/27

(58) **Field of Classification Search**

USPC D6/343, 352, 362, 391, 514, 519, 552,
D6/556, 573, 574, 629, 630, 641, 653,
D6/653.14, 653.21, 661.2, 670, 672, 673,
D6/674, 675, 675.1, 675.3, 675.4, 676.3,
D6/680.2, 685, 691.5; D11/86, 96, 125,
D11/157; D19/28, 78, 90, 91, 137; D20/15,
D20/23, 29; D26/4, 125; D32/5; D99/17,
D99/23, 25, 27; 211/121, 133, 152, 174,
211/176.1, 442.2, 450, 451, 454, 455, 456
CPC A47F 3/00; A47G 33/00; A47G 33/002;
A47G 33/004; A47G 33/006; A47G 33/008;
A47G 33/02; F16B 12/12; F16B 12/14
See application file for complete search history.

(56) **References Cited**

U.S. PATENT DOCUMENTS

D67,289 S * 5/1925 Reinhold D99/23
D86,806 S * 4/1932 Ladewich D99/23

(Continued)

OTHER PUBLICATIONS

Waterford Crystal Cross: Announced Sep. 16, 2012 [online] site visited [Sep. 14, 2015]. Available from Internet URL: http://religmuseum.com/unt/900-waterford_crystal_cross_holy_water_wall_hanging_font.html.*

(Continued)

Primary Examiner — Thomas Johannes

Assistant Examiner — Catherine Posthauer

(74) *Attorney, Agent, or Firm* — Mark D. Bowen; Malin Haley DiMaggio & Bowen, P.A.

(57) **CLAIM**

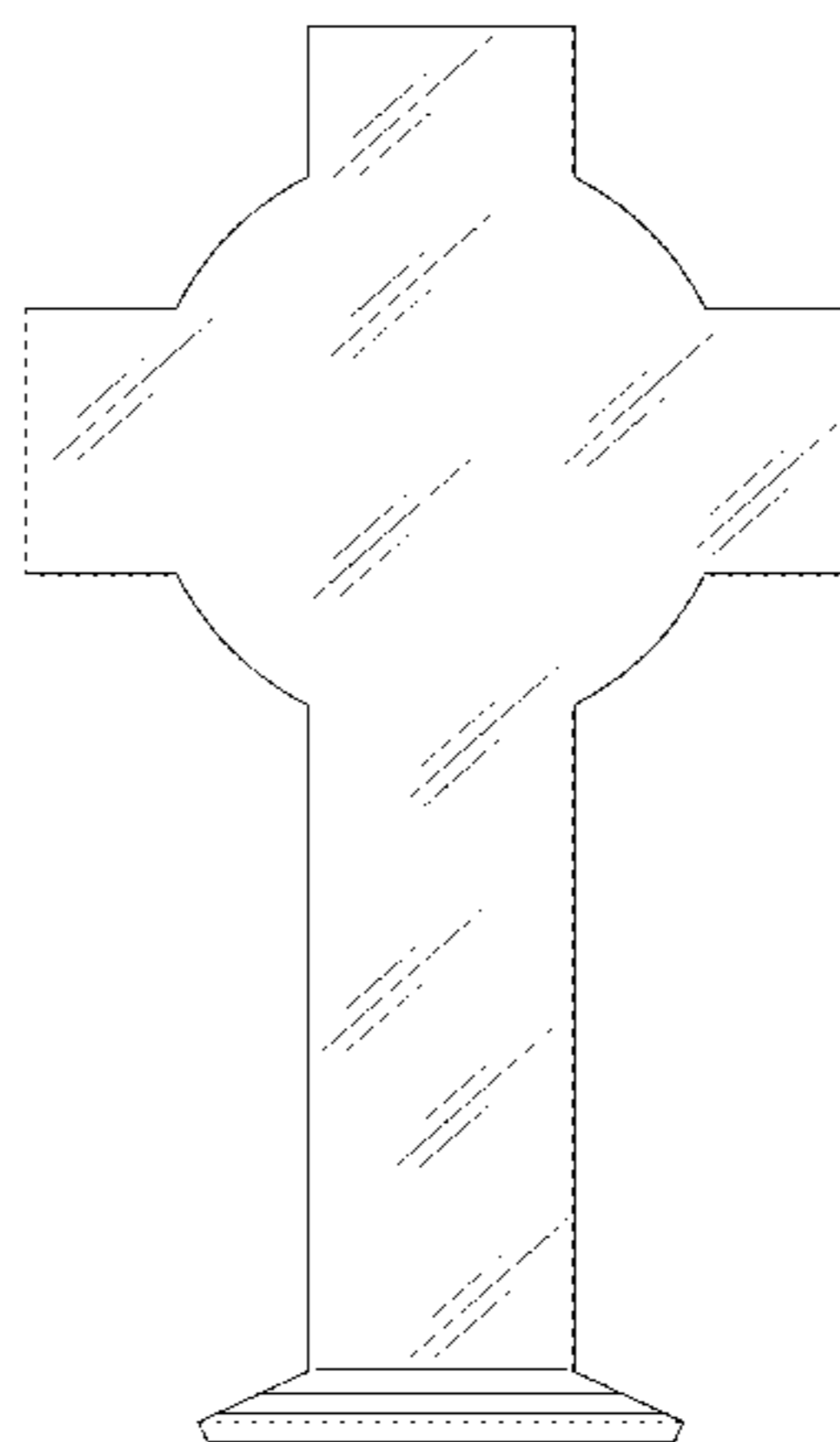
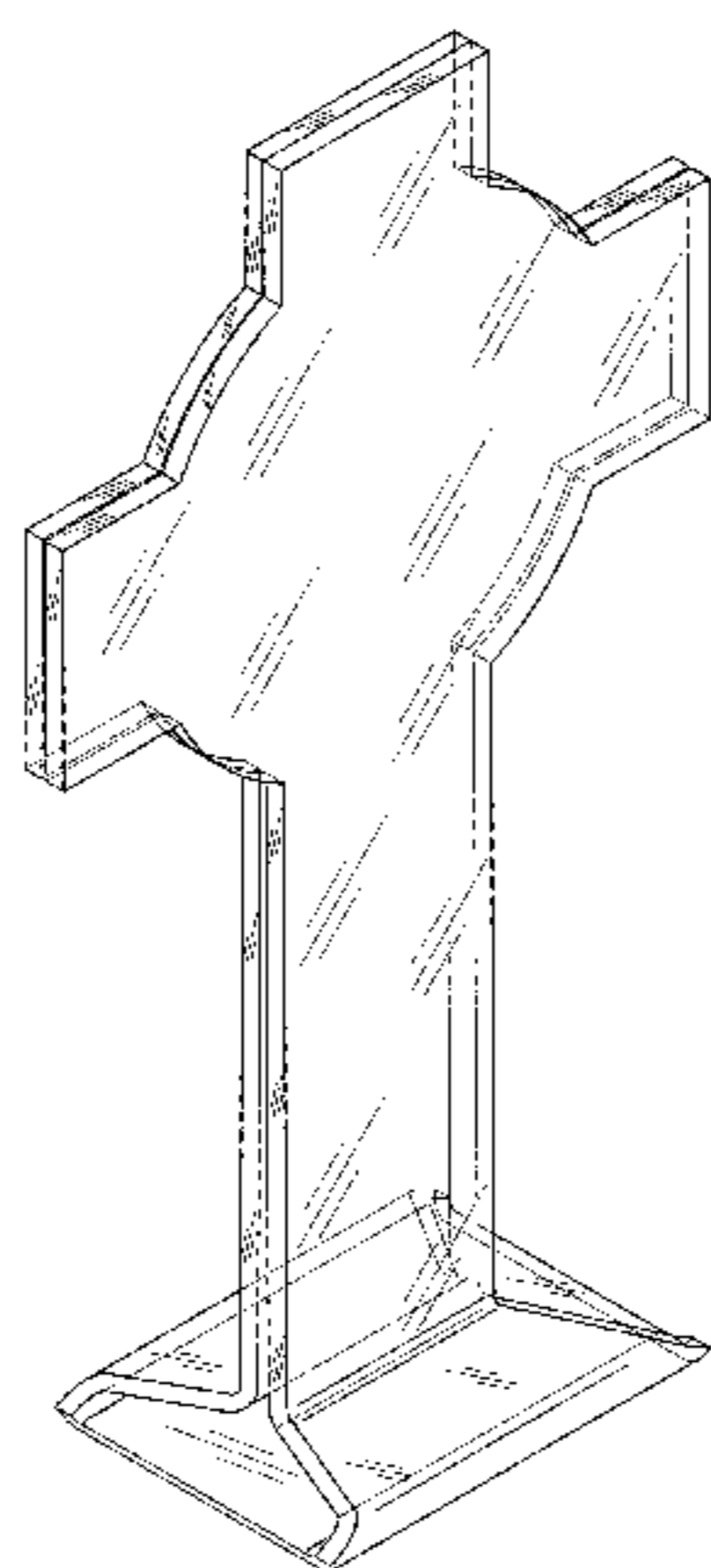
The ornamental design for a cross-shaped display stand, as shown and described.

DESCRIPTION

FIG. 1 is a front perspective view of a cross shaped display stand in accordance with the present invention;
FIG. 2 is a rear perspective view thereof;
FIG. 3 is a front thereof, with the rear view being a mirror image;
FIG. 4 is a right side view thereof, with the left side view being a mirror image;
FIG. 5 is a top view thereof;
FIG. 6 is a bottom view thereof;
FIG. 7 is a front perspective view of another embodiment of a cross-shaped display stand in accordance with the present invention;
FIG. 8 is a rear perspective view thereof;
FIG. 9 is a front view thereof, with the rear view being a mirror image;
FIG. 10 is a right side view thereof, with the left side view being a mirror image;
FIG. 11 is a top view thereof;
FIG. 12 is a bottom view thereof;
FIG. 13 is a front perspective view of another embodiment of a cross-shaped display stand in accordance with the present invention;
FIG. 14 is a rear perspective view thereof;
FIG. 15 is a front view thereof, with the rear view being a mirror image;
FIG. 16 is a right side view thereof, with the left side view being a mirror image;
FIG. 17 is a top view thereof;
FIG. 18 is a bottom view thereof;
FIG. 19 is a front perspective view of another embodiment of a cross-shaped display stand in accordance with the present invention;
FIG. 20 is a rear perspective view thereof; FIG. 21 is a front view thereof, with the rear view being a mirror image;
FIG. 22 is a right side view thereof, with the left side view being a mirror image;
FIG. 23 is a top view thereof; and,
FIG. 24 is a bottom view thereof.

The dot-dash lines are shown for the purpose of isolating the part of the article that embodies the claimed design and form no part of the claimed design.

1 Claim, 20 Drawing Sheets



(56)

References Cited

U.S. PATENT DOCUMENTS

D160,900 S 11/1950 Suhren
D168,686 S 1/1953 Hunter
D256,398 S 8/1980 Mitchell
D338,315 S 8/1993 Larson
D426,582 S * 6/2000 Noreika D19/90
D518,939 S 4/2006 Borgerding
D578,275 S 10/2008 Shantz et al.
D618,135 S 6/2010 Horst
D619,926 S 7/2010 Letney
D654,828 S 2/2012 Piric
D658,908 S * 5/2012 Kroll D6/674
D659,430 S * 5/2012 Kroll D6/674
D659,431 S * 5/2012 Kroll D6/674

D659,432 S * 5/2012 Kroll D6/674
D671,770 S * 12/2012 Kroll D6/674
D685,675 S 7/2013 Dubow
RE45,427 E * 3/2015 Kroll D6/300
RE45,428 E * 3/2015 Kroll D6/300
RE45,546 E * 6/2015 Kroll D6/674
RE45,560 E * 6/2015 Kroll D6/300
RE45,622 E * 7/2015 Kroll D6/300

OTHER PUBLICATIONS

Galway Celtic Crystal Cross: Announced May 8, 2012 [online] site visited [Sep. 14, 2015]. Available from Interent URL: http://religmuseum.com/unt/38994-galway_celtic_crystal_cross_ornament_made_in_ireland_crystal_sticker.html.*

* cited by examiner

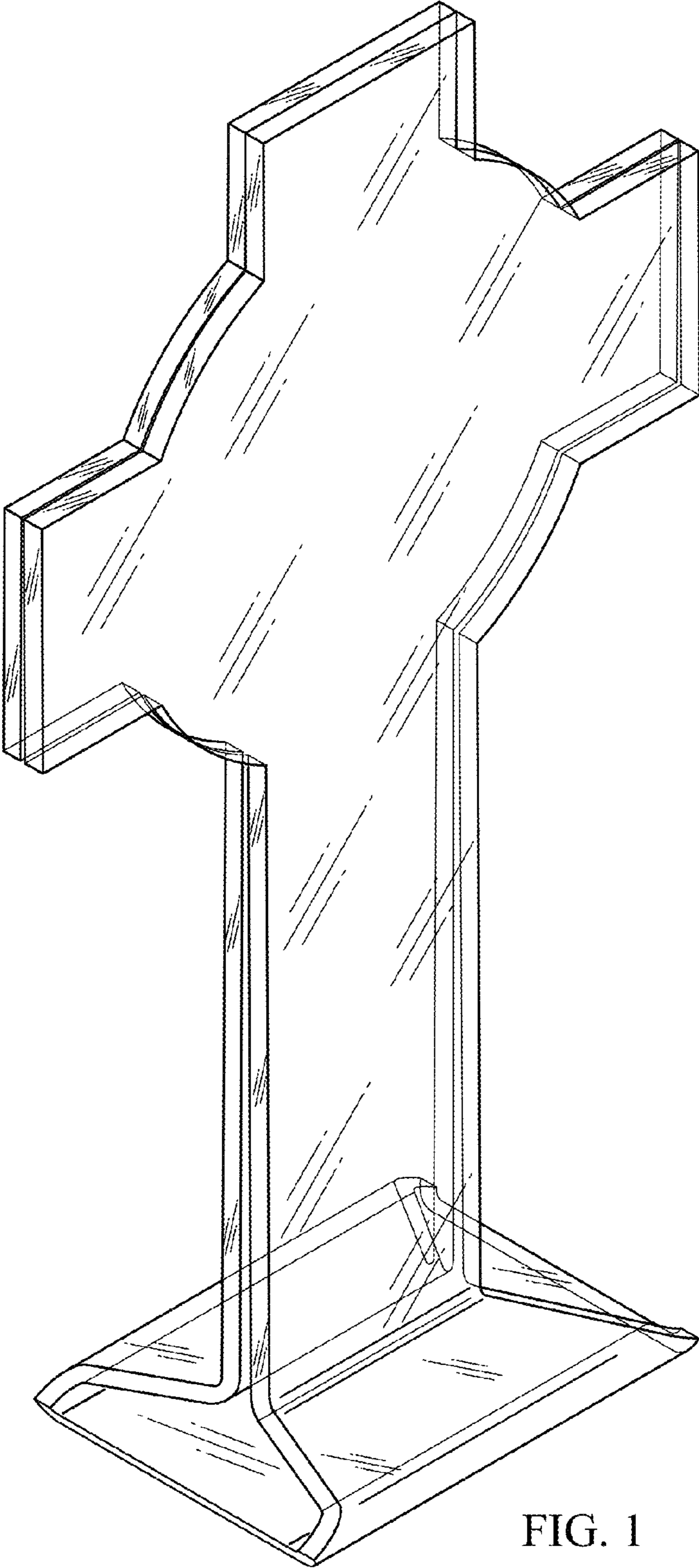


FIG. 1

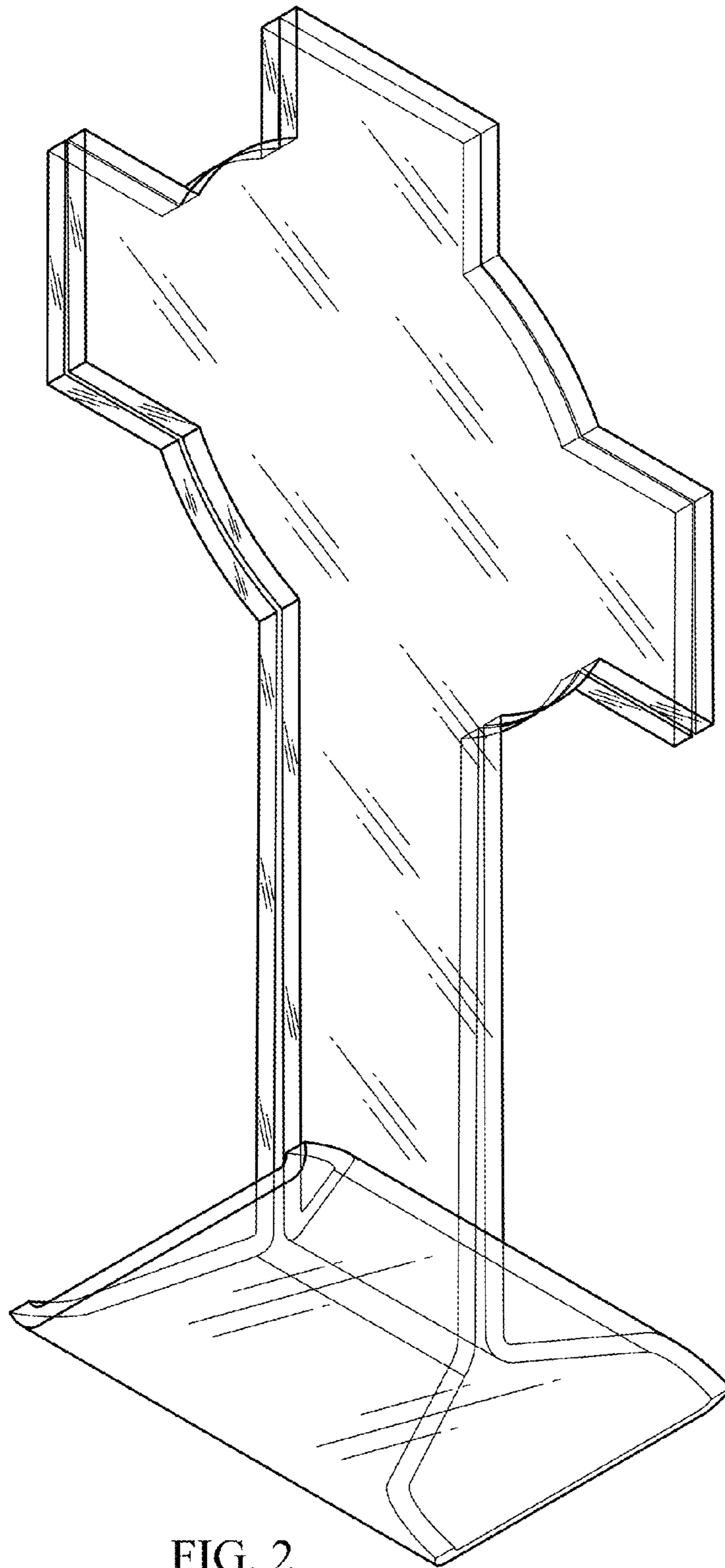


FIG. 2

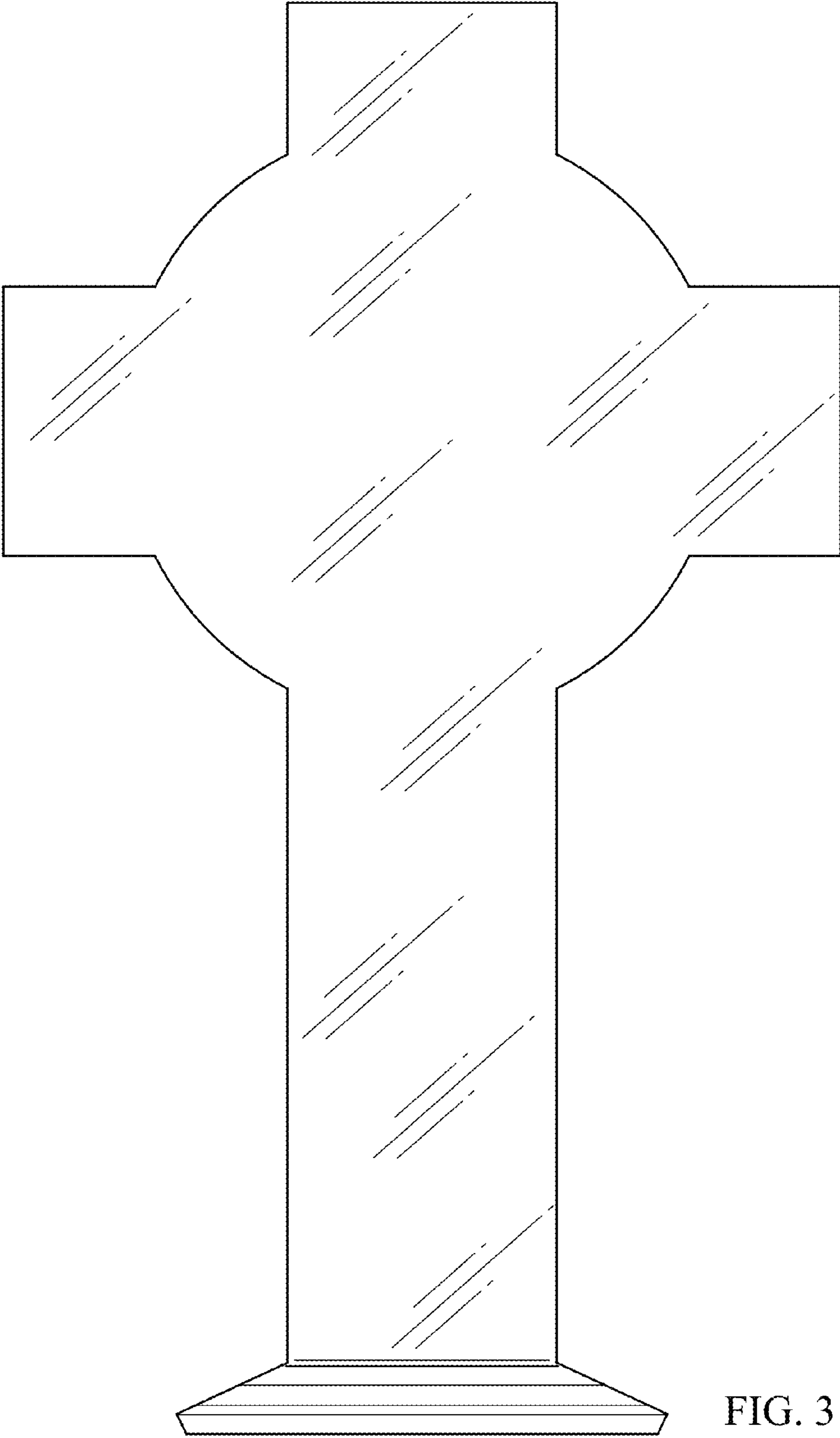


FIG. 3

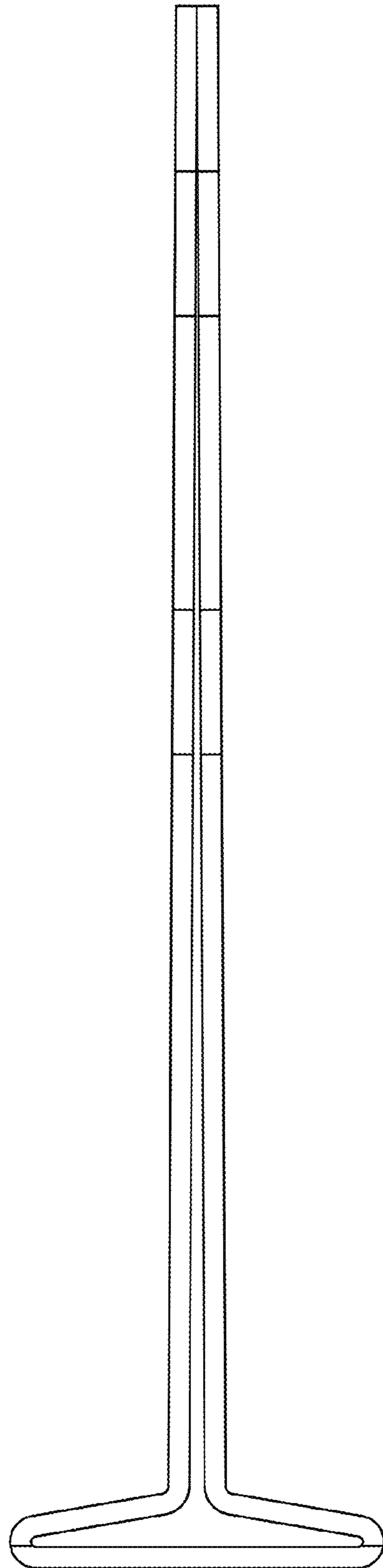


FIG. 4

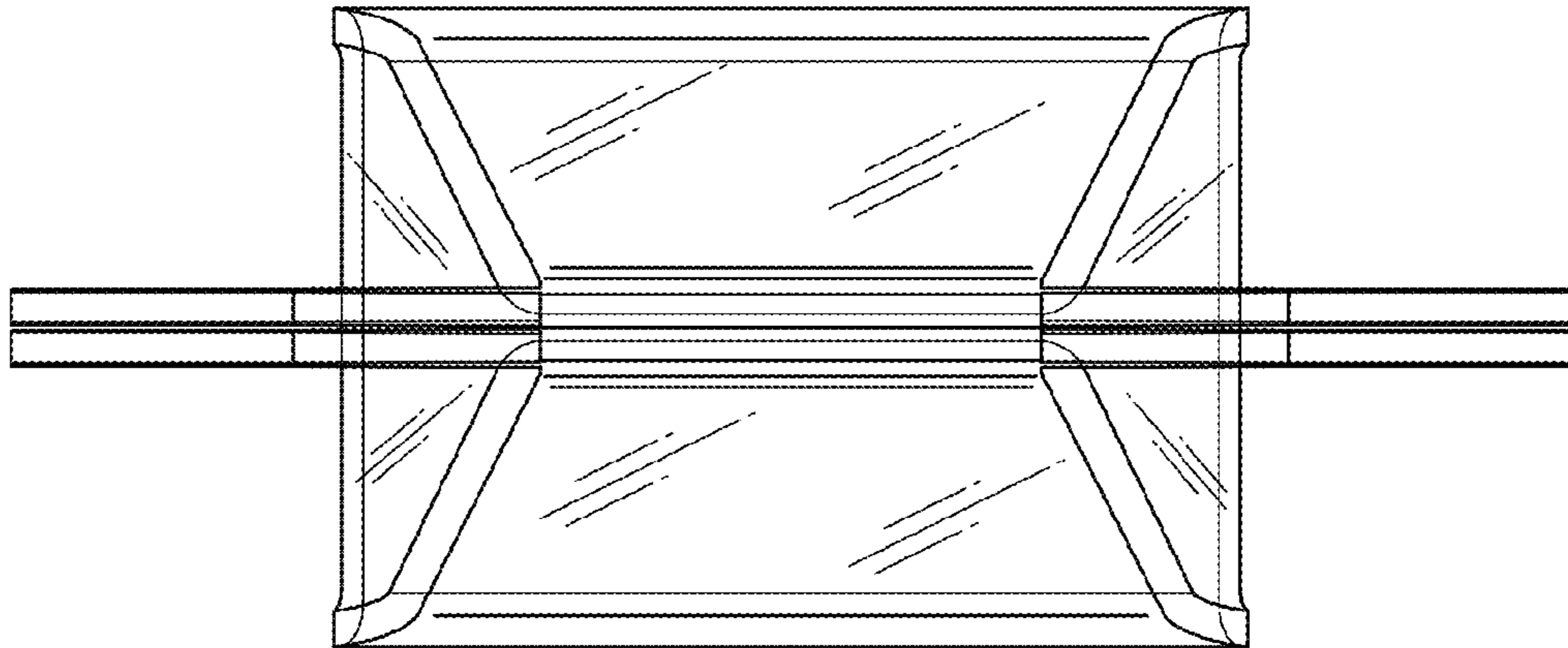


FIG. 5

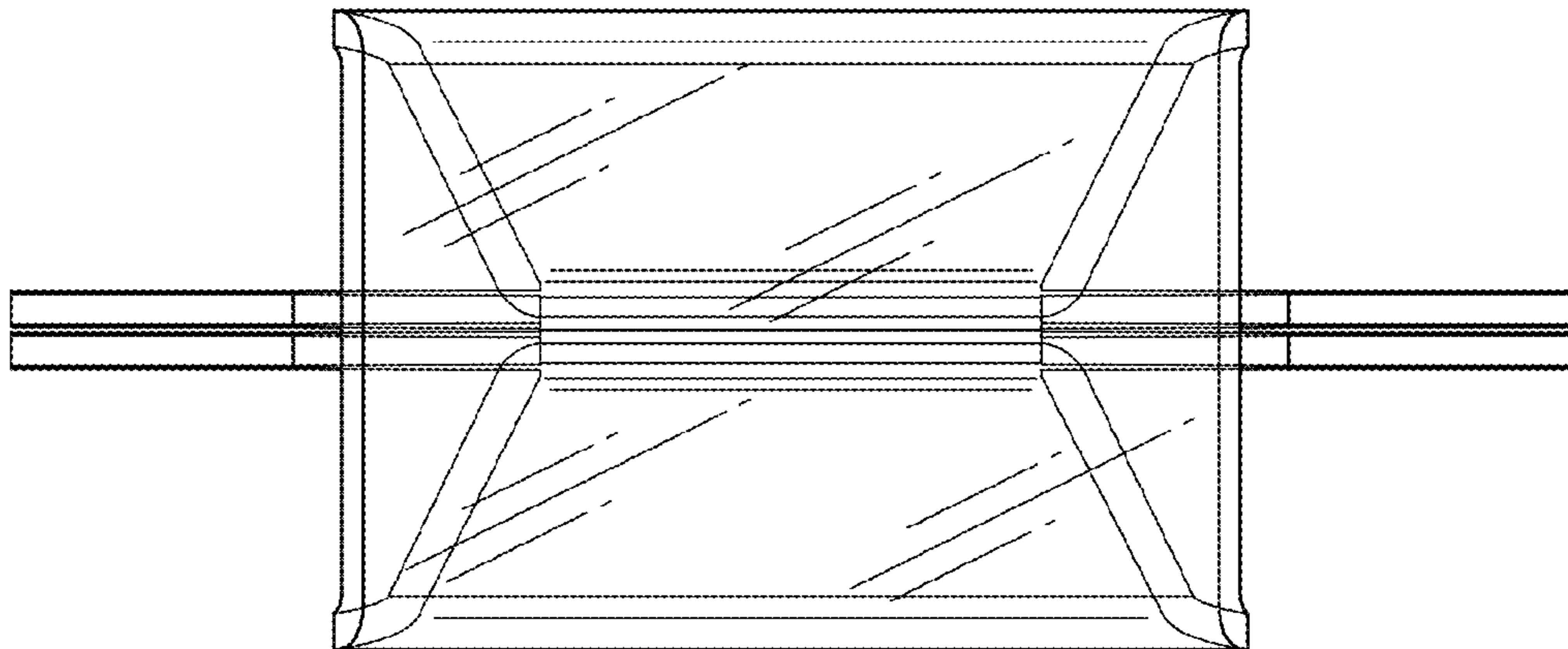


FIG. 6

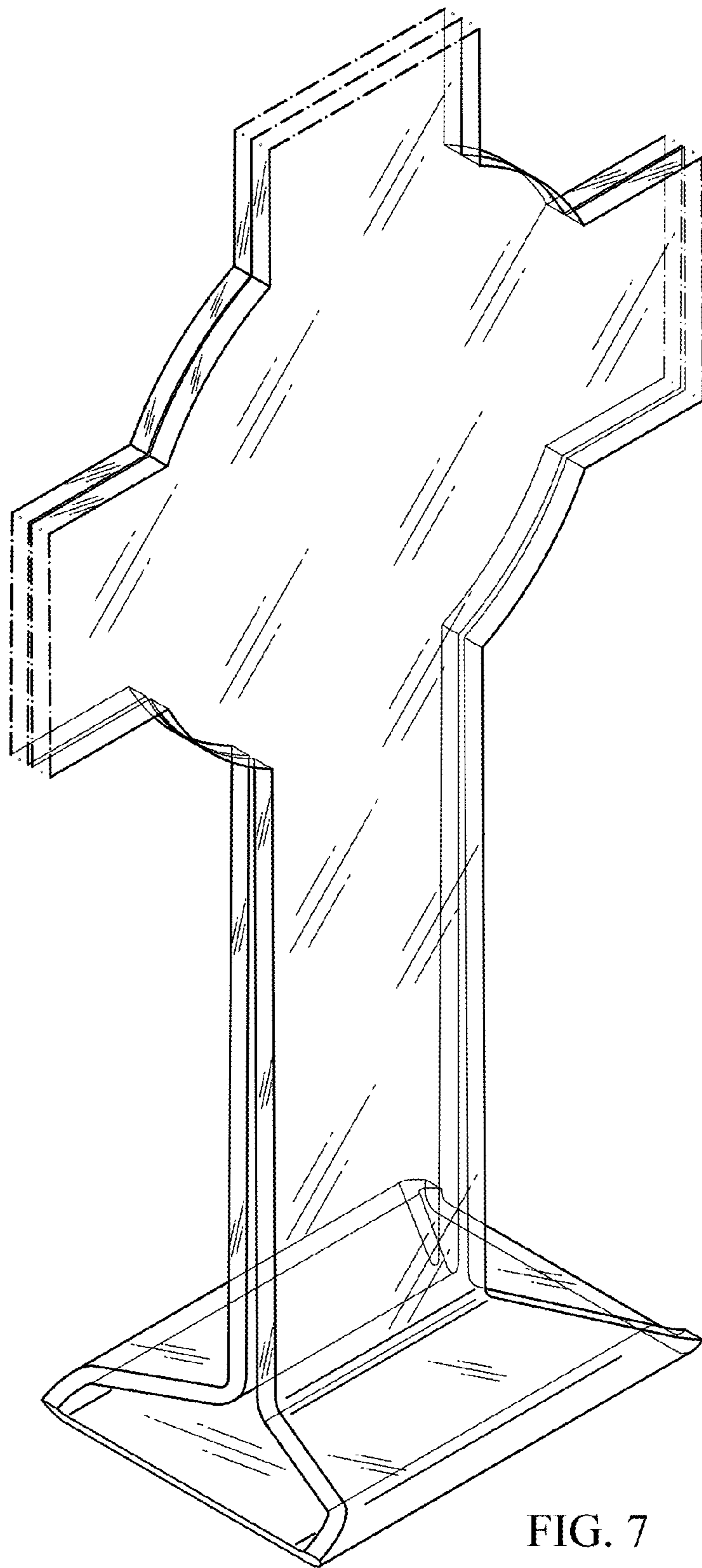


FIG. 7

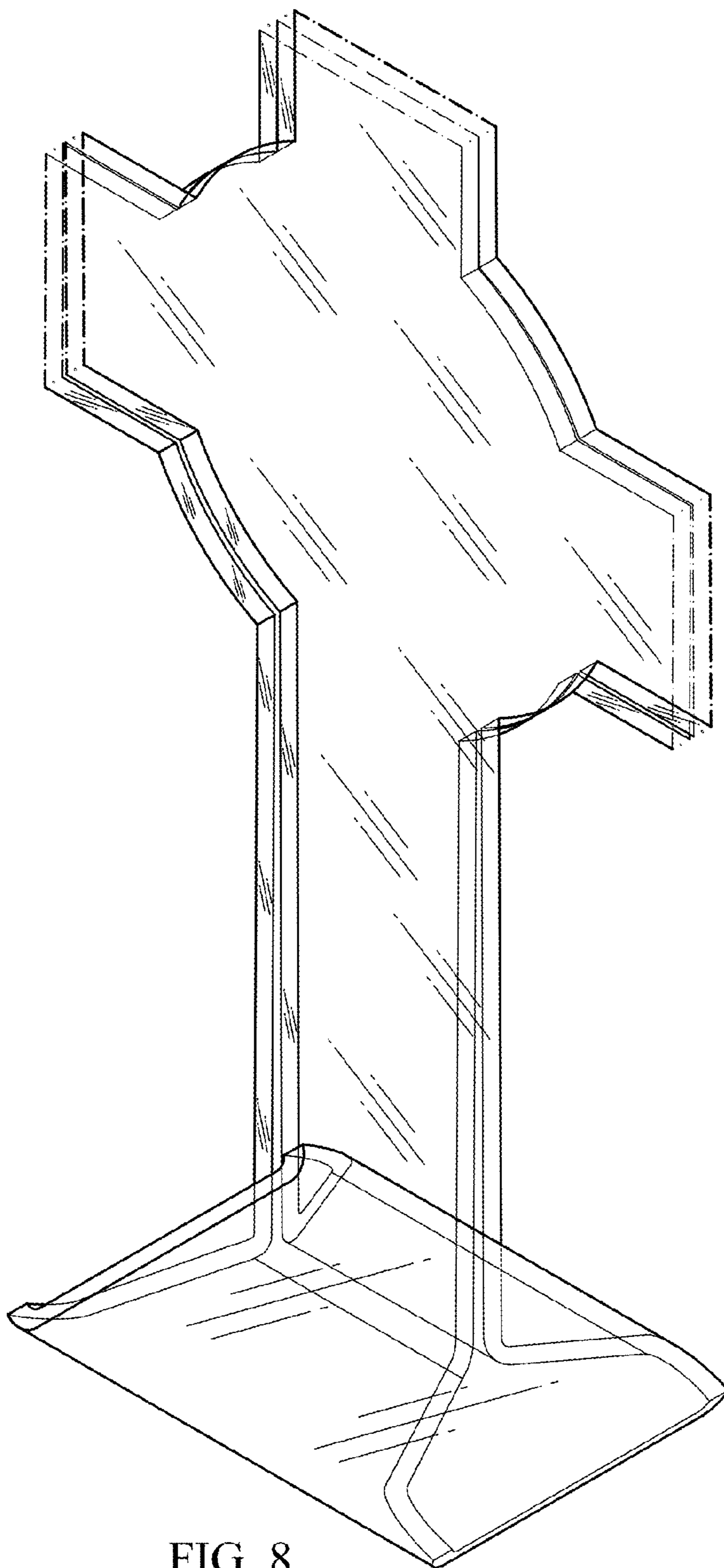


FIG. 8

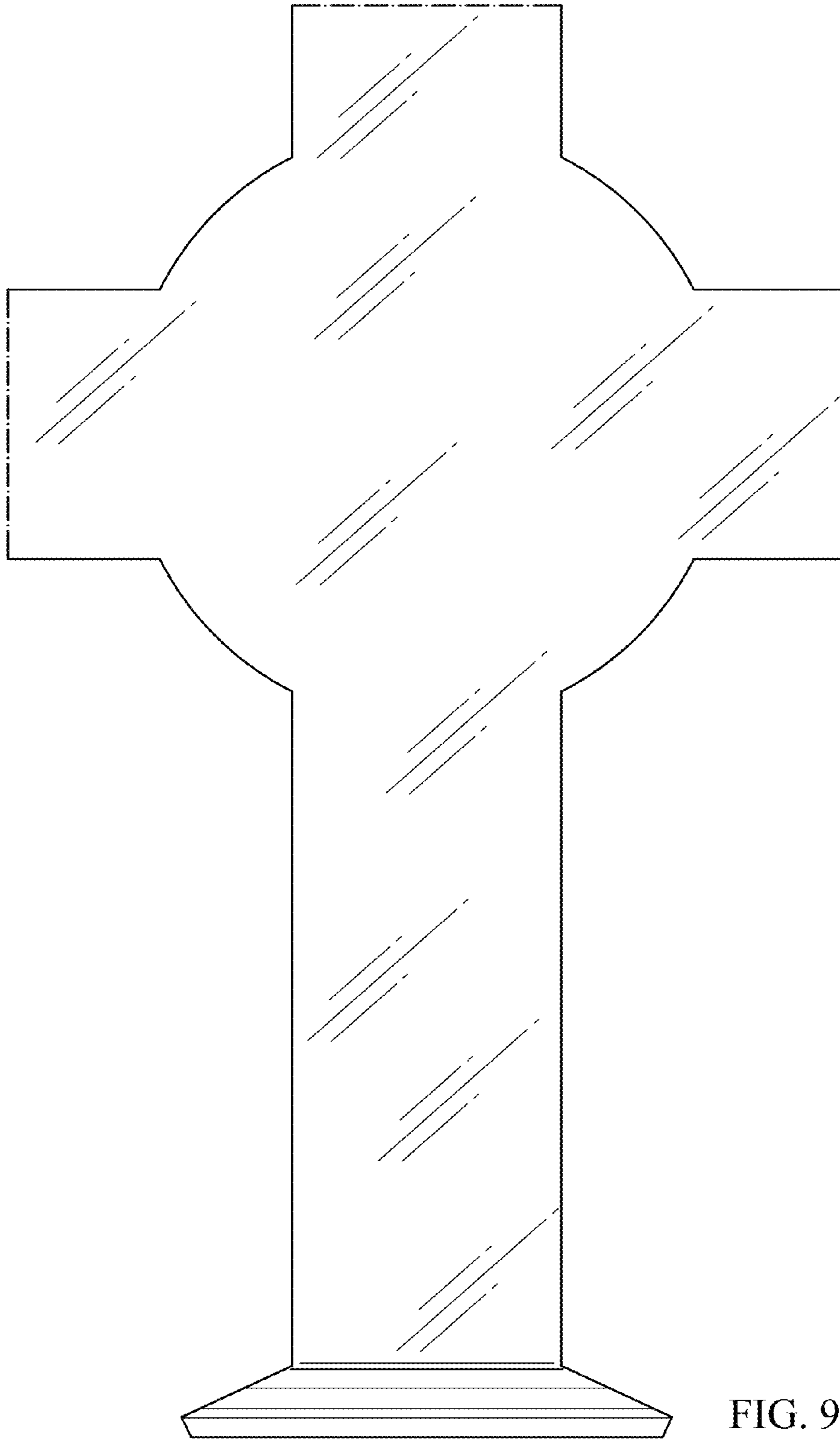


FIG. 9

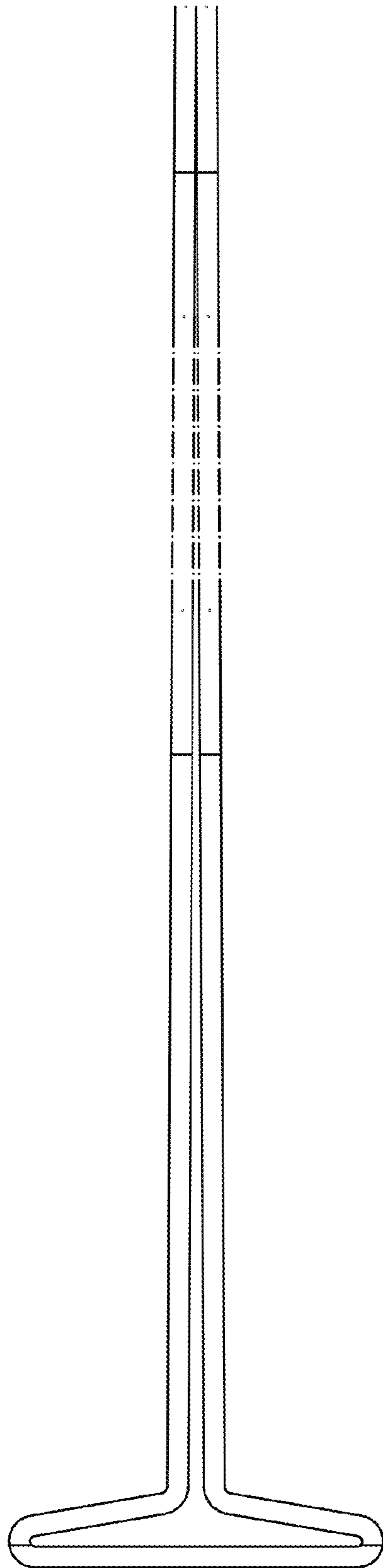


FIG. 10

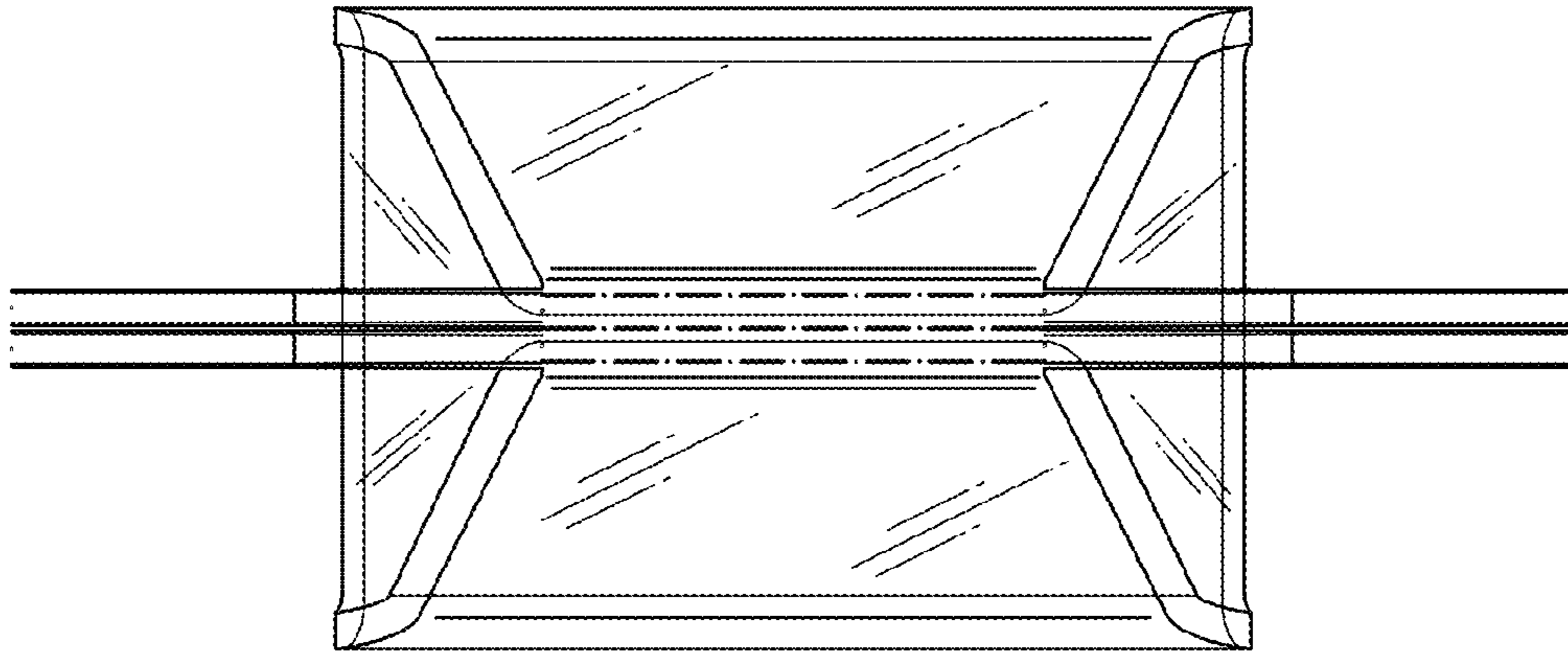


FIG. 11

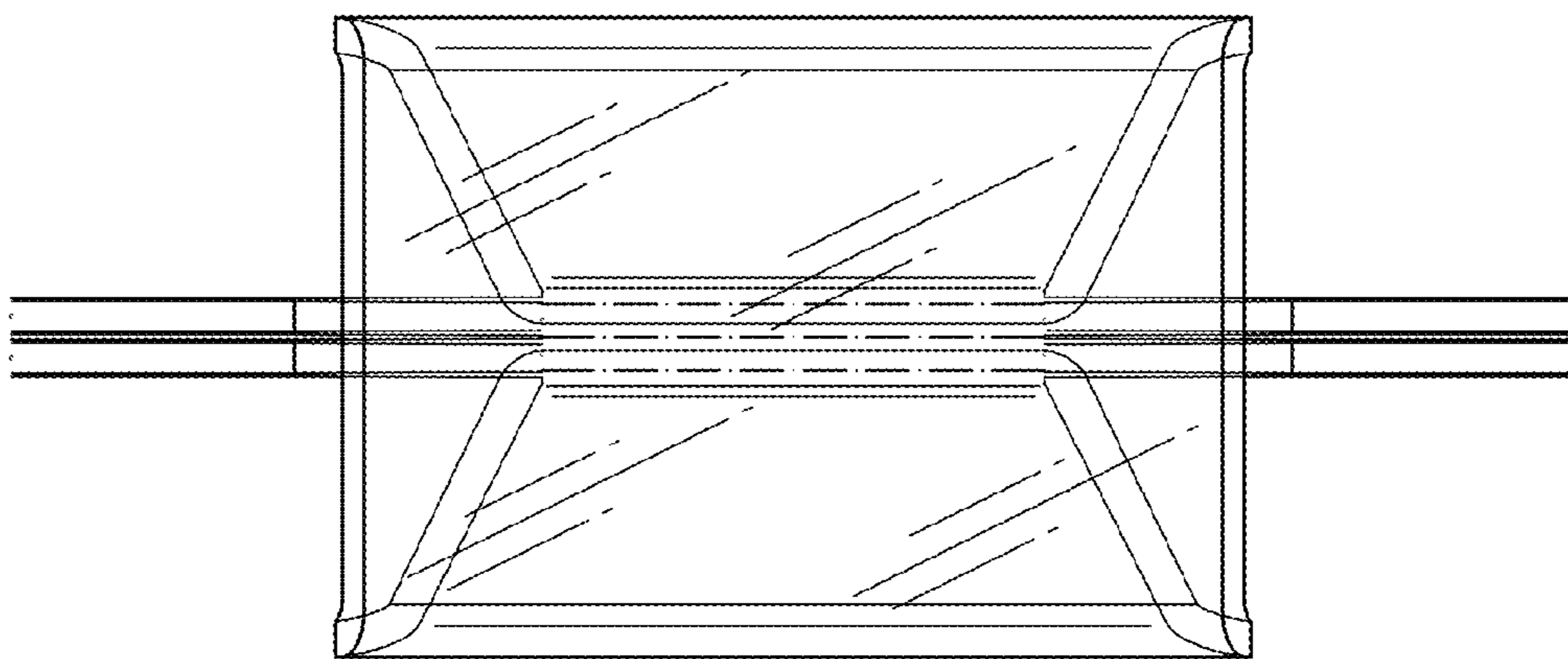


FIG. 12

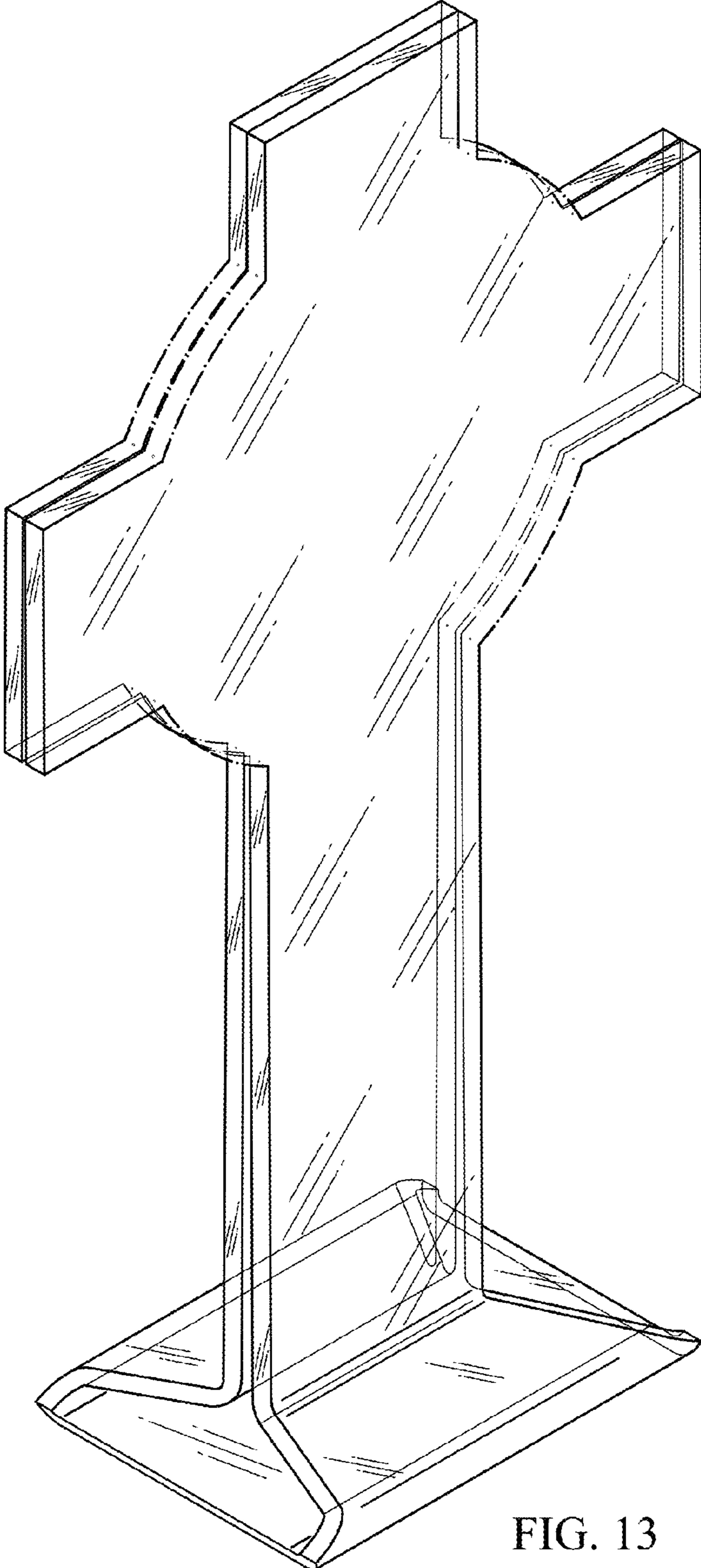


FIG. 13

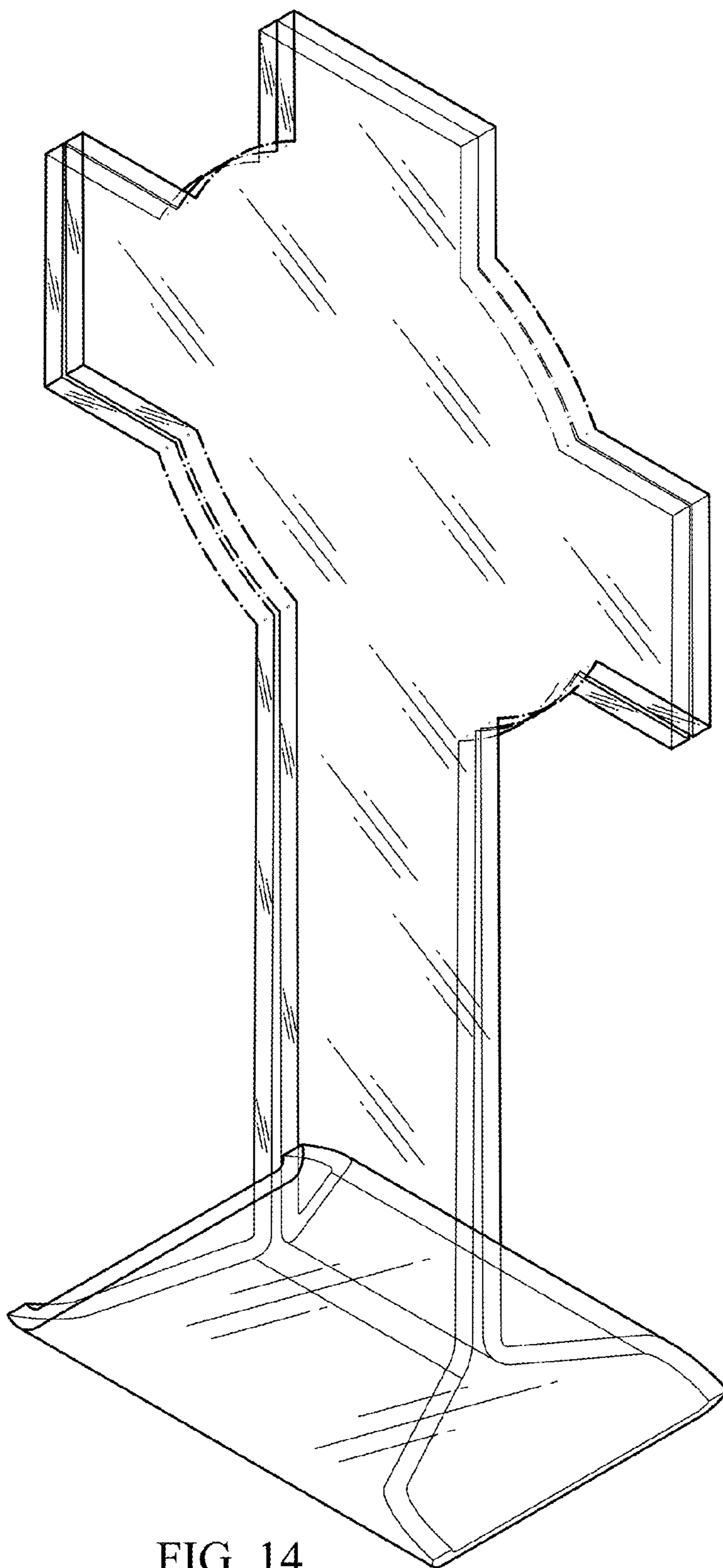


FIG. 14

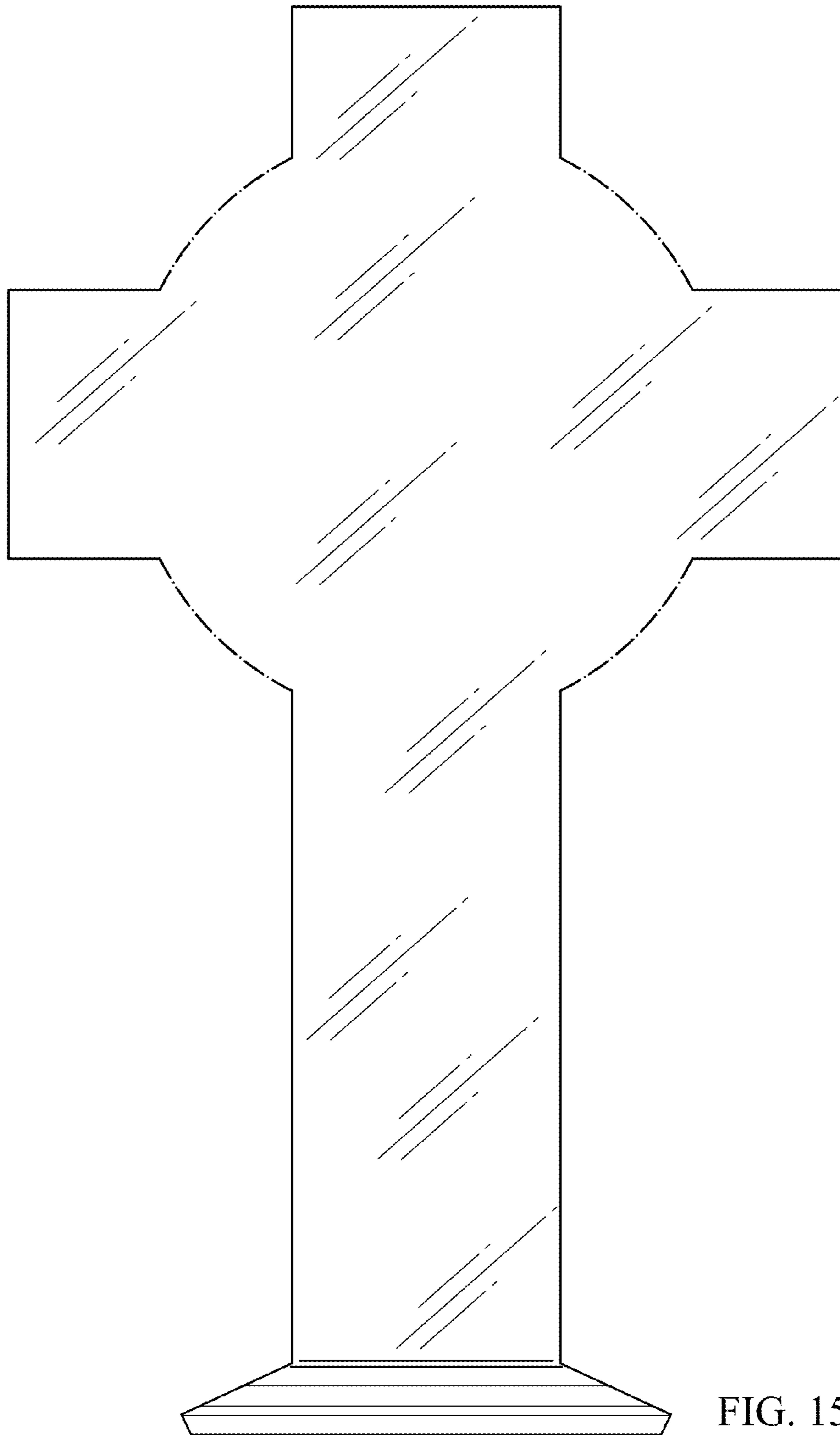


FIG. 15

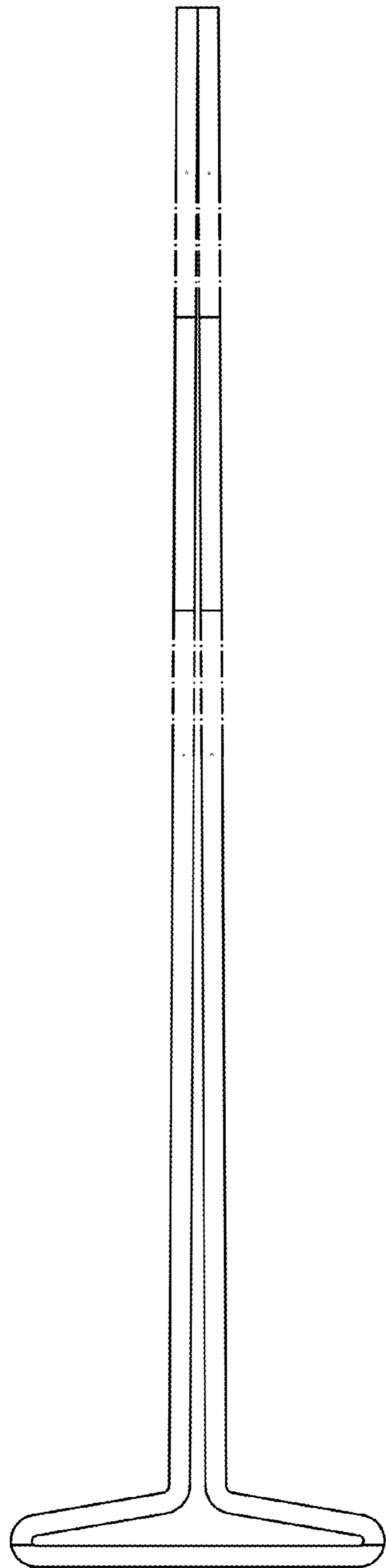


FIG. 16

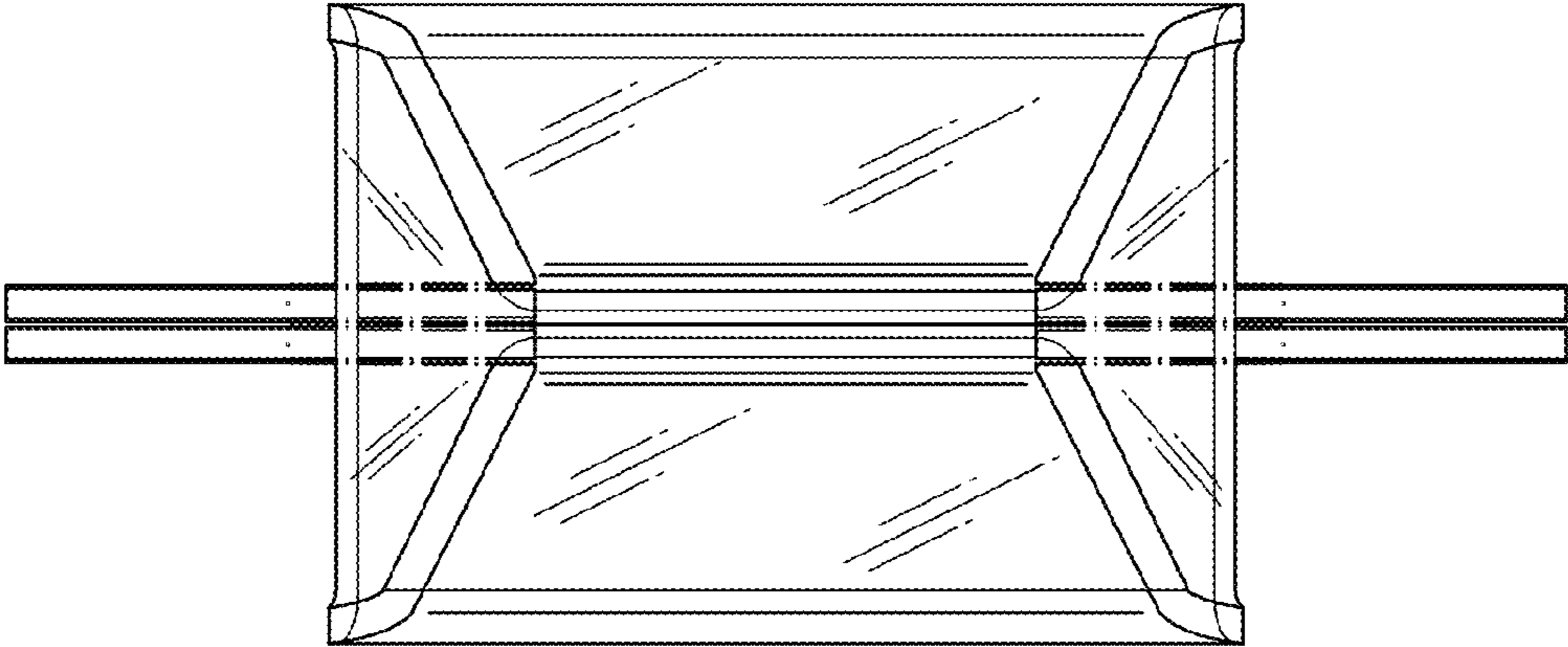


FIG. 17

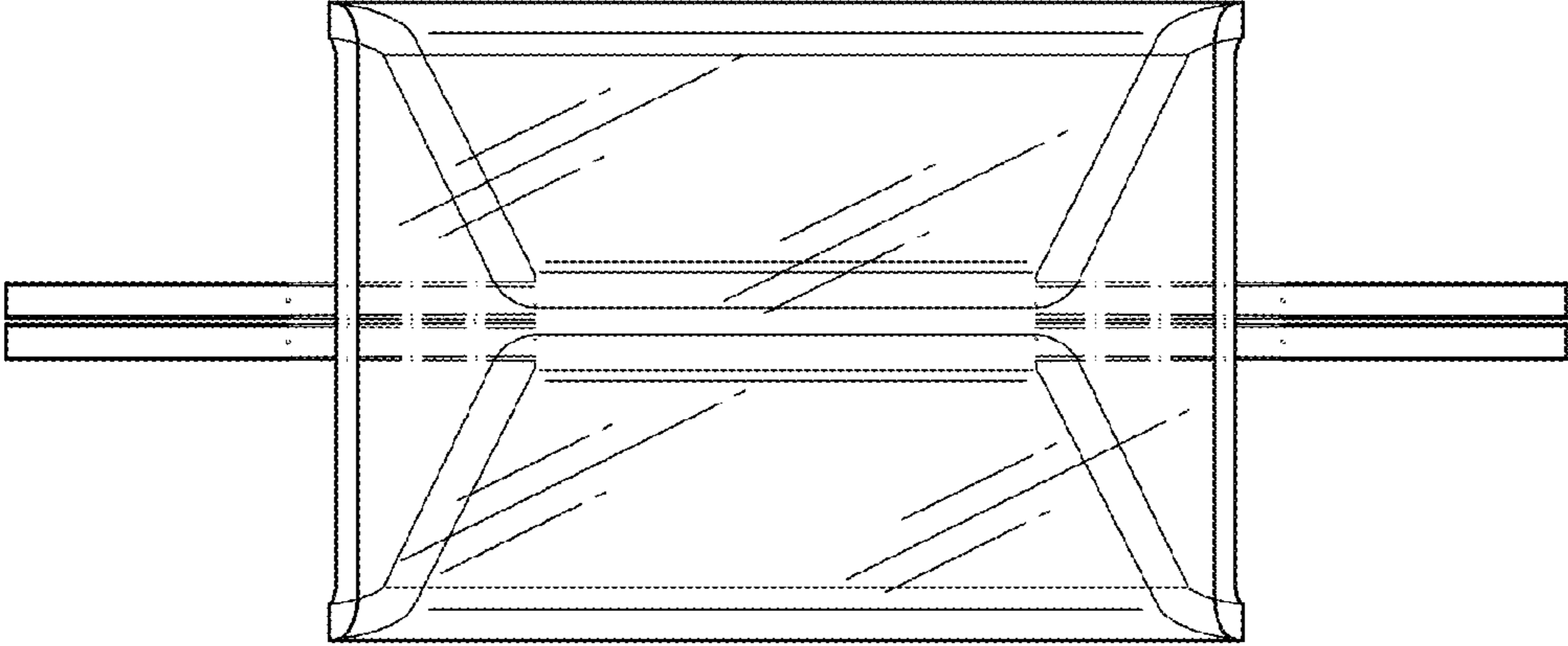


FIG. 18

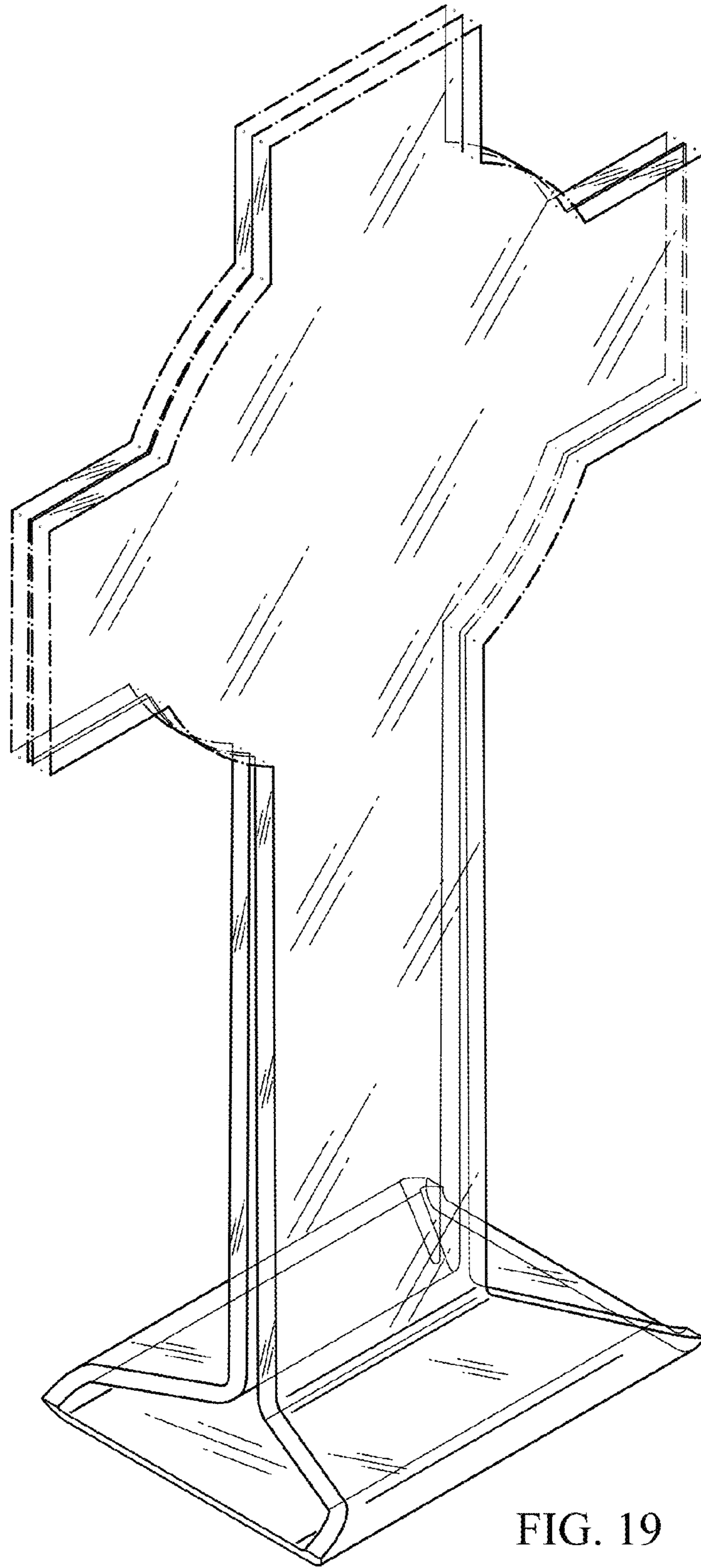


FIG. 19

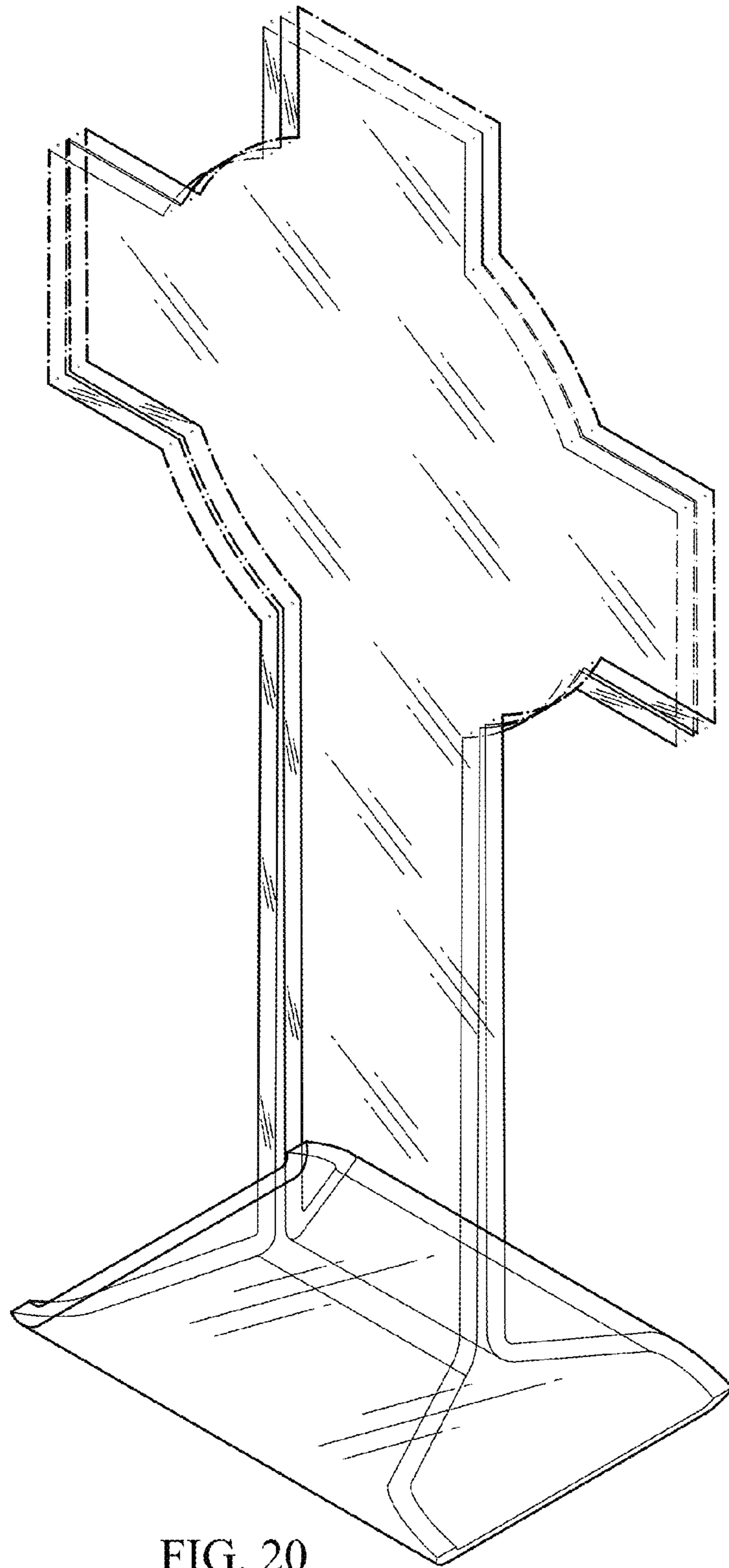


FIG. 20

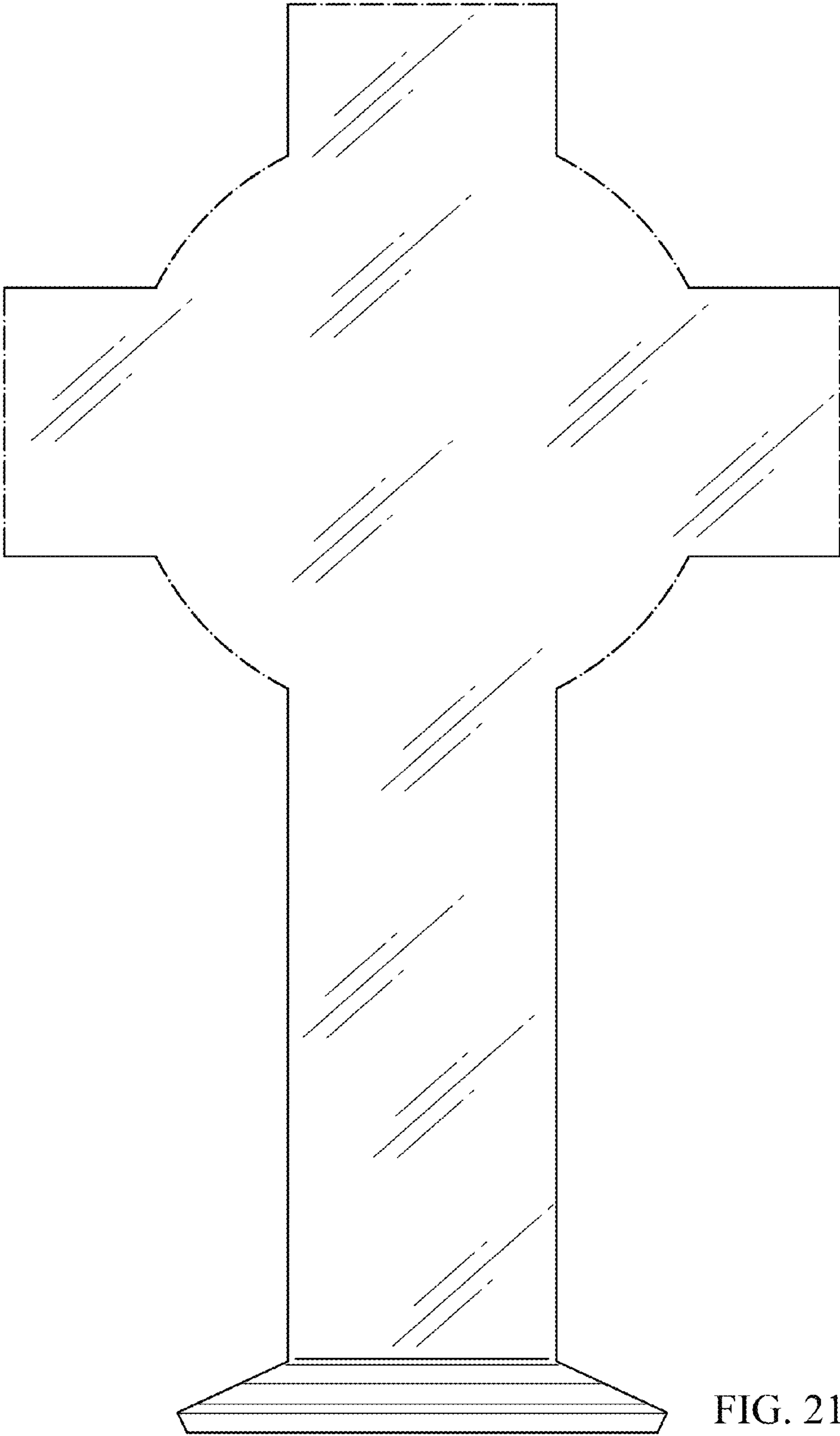


FIG. 21

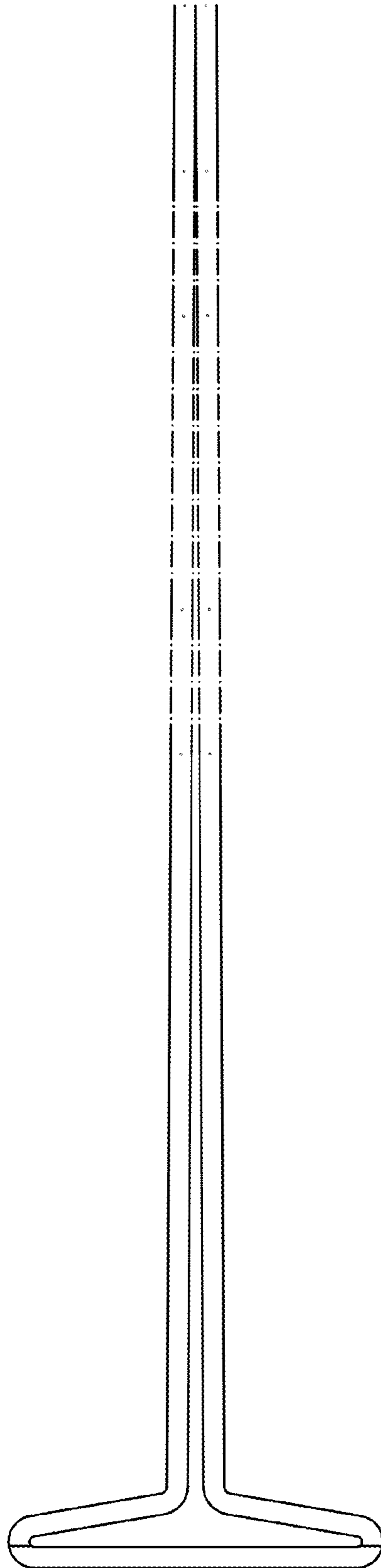


FIG. 22

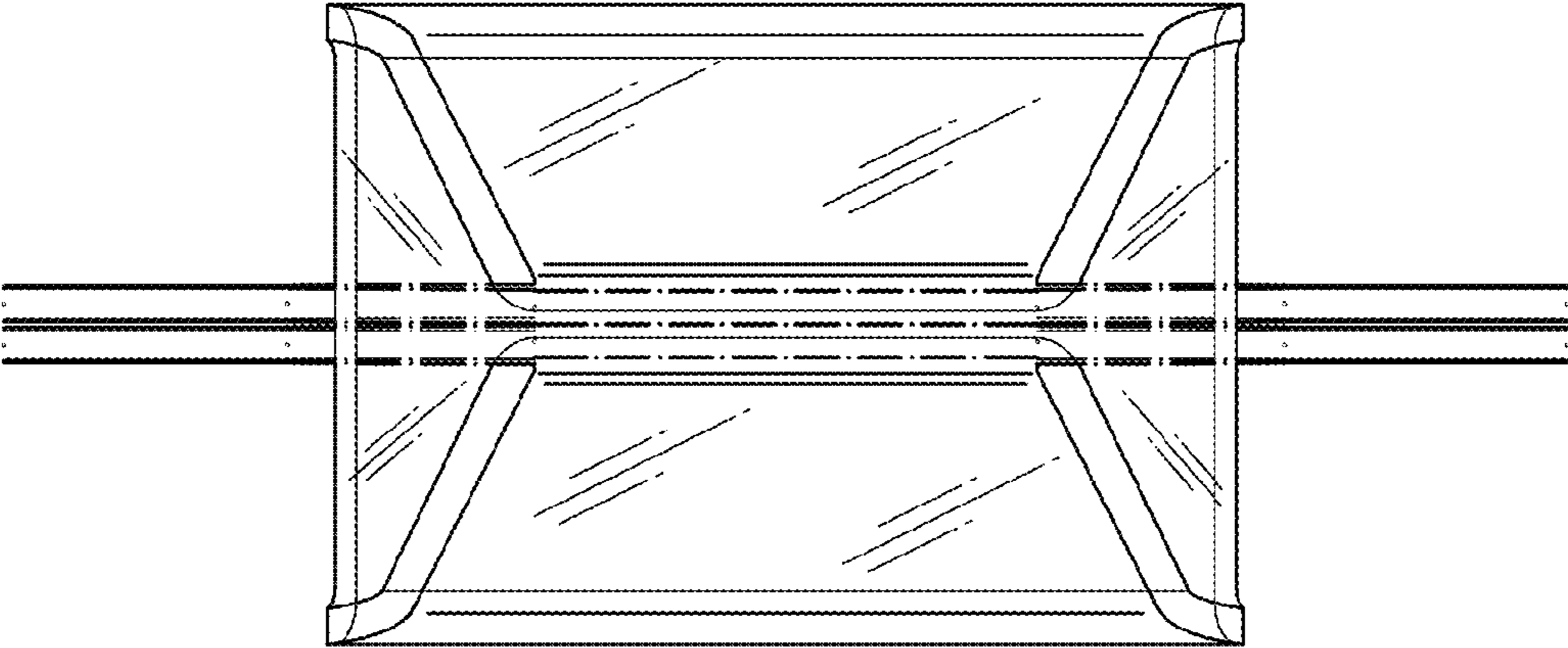


FIG. 23

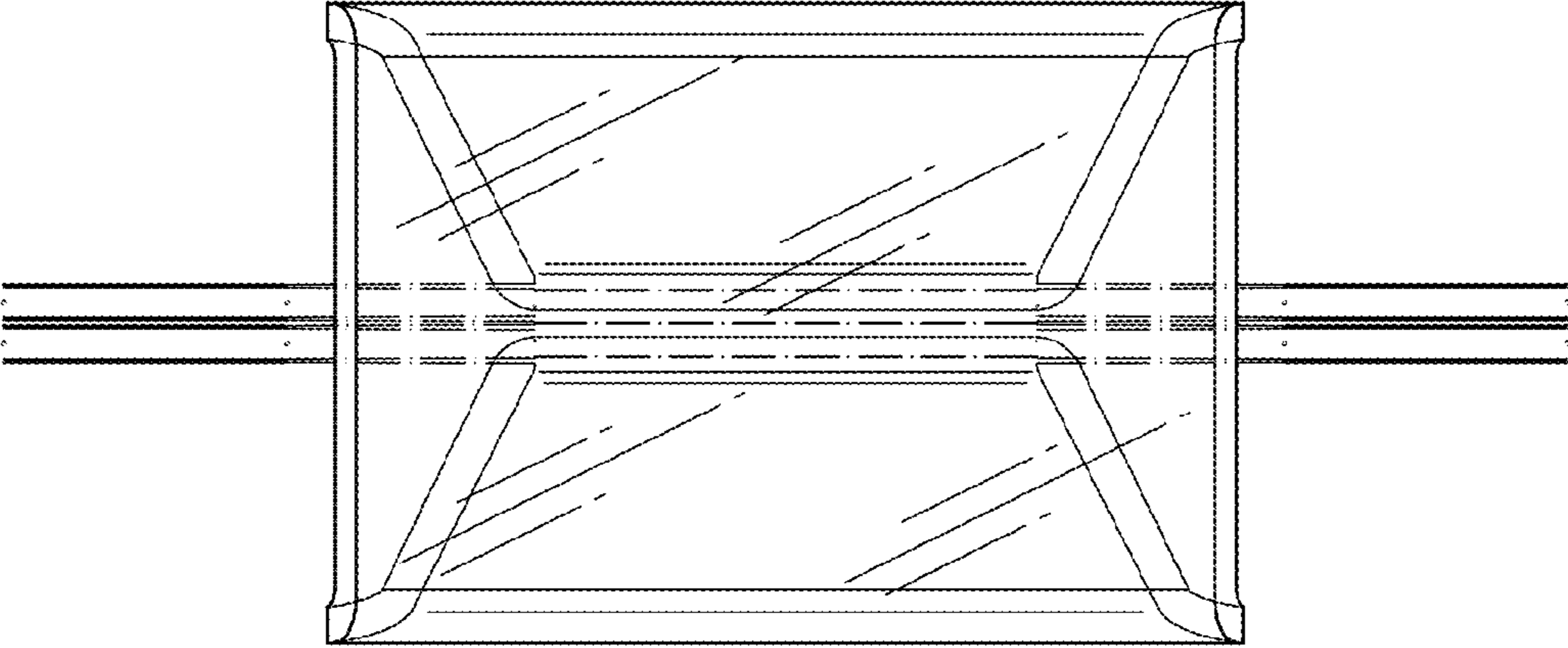


FIG. 24