



US00D752367S

(12) **United States Design Patent**
Kroll

(10) **Patent No.:** **US D752,367 S**
(45) **Date of Patent:** **** Mar. 29, 2016**

(54) **CROSS-SHAPED DISPLAY STAND**

(71) Applicant: **William F. Kroll**, Boca Raton, FL (US)

(72) Inventor: **William F. Kroll**, Boca Raton, FL (US)

(**) Term: **14 Years**

(21) Appl. No.: **29/494,780**

(22) Filed: **Jun. 24, 2014**

(51) **LOC (10) Cl.** **06-04**

(52) **U.S. Cl.**
USPC **D6/674**; D99/23; D99/27; D20/29

(58) **Field of Classification Search**
USPC D6/343, 352, 362, 391, 514, 519, 552,
D6/556, 573, 574, 629, 630, 641, 653,
D6/653.14, 653.21, 661.2, 670, 672, 673,
D6/674, 675, 675.1, 675.3, 675.4, 676.3,
D6/680.2, 685, 691.5; D11/86, 96, 125,
D11/157; D19/28, 78, 90, 91, 137; D20/15,
D20/23, 29; D26/4, 125; D32/5; D99/17,
D99/23, 25, 27; 211/121, 133, 152, 174,
211/176.1, 442.2, 450, 451, 454, 455, 456
CPC A47F 3/00; A47G 33/00; A47G 33/002;
A47G 33/004; A47G 33/006; A47G 33/008;
A47G 33/02; F16B 12/12; F16B 12/14
See application file for complete search history.

(56) **References Cited**

U.S. PATENT DOCUMENTS

D67,289 S	5/1925	Ladewich	
D160,900 S	11/1950	Suhren	
D168,686 S	1/1953	Hunter	
D256,398 S	8/1980	Mitchell	
D272,547 S *	2/1984	Gordon	D19/91
D338,315 S	8/1993	Larson	
D426,582 S *	6/2000	Noreika	D19/90
D480,182 S *	9/2003	McAnally	D11/96
D518,939 S	4/2006	Borgerding	

(Continued)

OTHER PUBLICATIONS

Tabletop Cross: Announced Dec. 16, 2011 [online], site visited Nov. 11, 2015. Available from Internet URL: http://www.christianbook.com/no-tears-in-heaven-tabletop-cross/pd/387484?event=CFCB#curr.*

Primary Examiner — Thomas Johannes

Assistant Examiner — Catherine Posthauer

(74) *Attorney, Agent, or Firm* — Mark D. Bowen; Malin, Haley DiMaggio & Bowen, P.A.

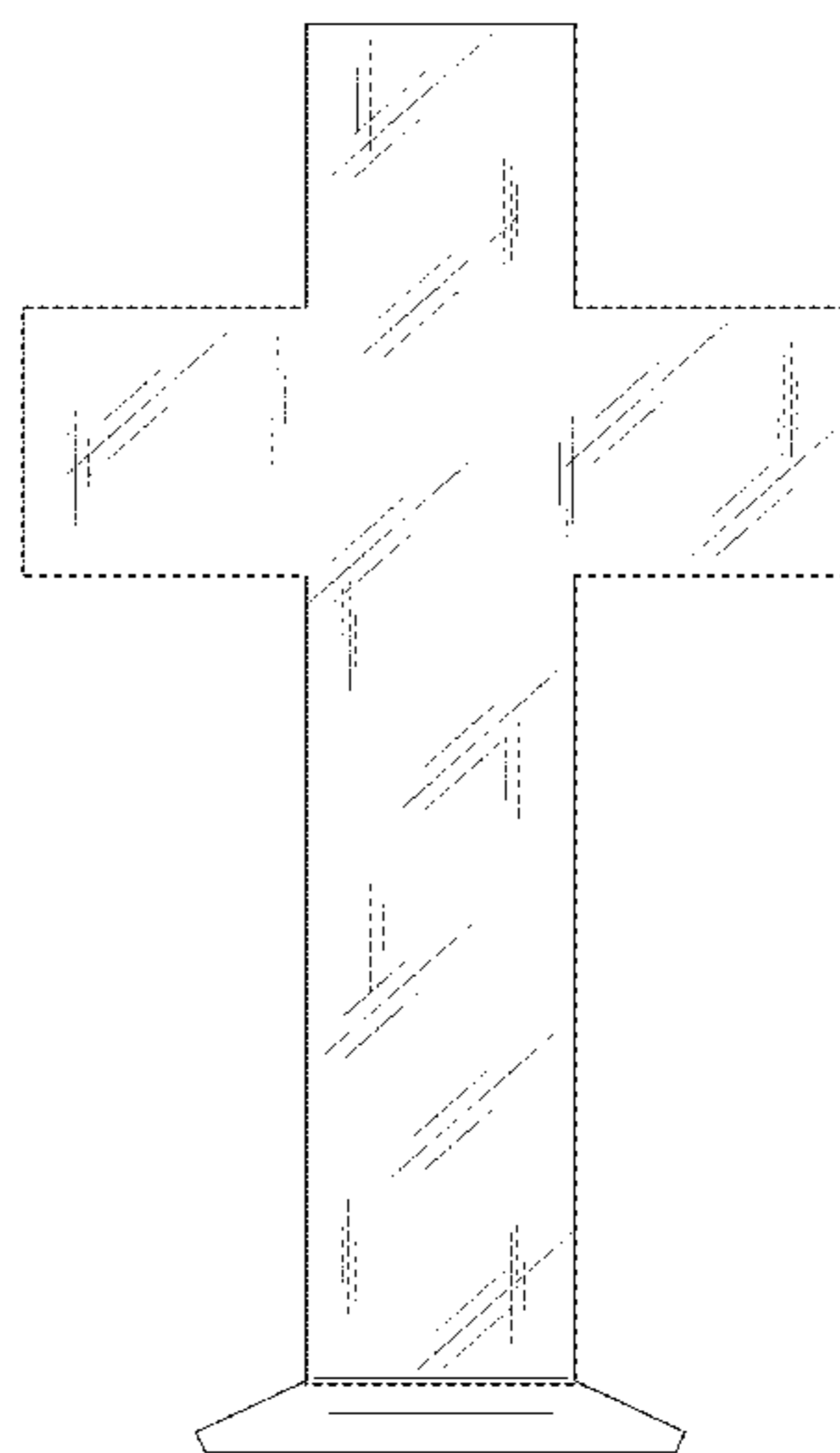
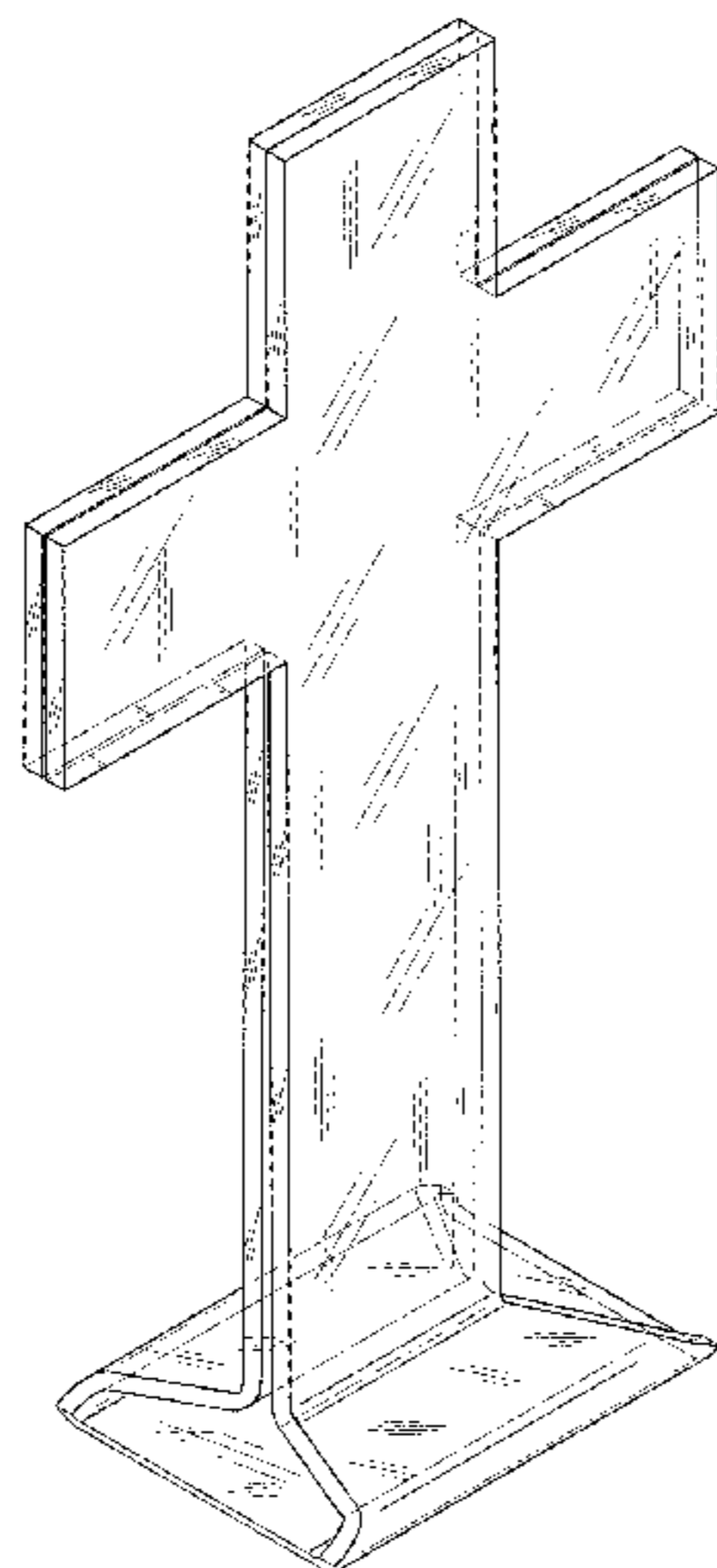
(57) **CLAIM**

The ornamental design for a cross-shaped display stand, as shown and described.

DESCRIPTION

FIG. 1 is a front perspective view of a cross-shaped display stand in accordance with the present invention;
FIG. 2 is a rear perspective view thereof;
FIG. 3 is a front thereof, with the rear view being a mirror image;
FIG. 4 is a right side view thereof, with the left side view being a mirror image;
FIG. 5 is a top view thereof;
FIG. 6 is a bottom view thereof;
FIG. 7 is a front perspective view of another embodiment of a cross-shaped display stand in accordance with the present invention;
FIG. 8 is a rear perspective view thereof;
FIG. 9 is a front view thereof, with the rear view being a mirror image;
FIG. 10 is a right side view thereof, with the left side view being a mirror image;
FIG. 11 is a top view thereof; and,
FIG. 12 is a bottom view thereof.
The dot-dash lines are shown for the purpose of isolating the part of the article that embodies the claimed design and form no part of the claimed design.

1 Claim, 8 Drawing Sheets



(56)

References Cited

U.S. PATENT DOCUMENTS

D578,275 S	*	10/2008	Shantz	D99/17	D659,431 S	*	5/2012	Kroll	D6/674
D618,135 S		6/2010	Horst			D659,432 S	*	5/2012	Kroll	D6/674
D619,926 S		7/2010	Letney			D671,770 S	*	12/2012	Kroll	D6/674
D654,828 S		2/2012	Piric			D685,675 S		7/2013	Dubow		
D659,430 S	*	5/2012	Kroll	D6/674	D715,514 S	*	10/2014	Voss	D99/27
						RE45,428 E	*	3/2015	Kroll	D6/300
						RE45,546 E	*	6/2015	Kroll	D6/674
						RE45,560 E	*	6/2015	Kroll	D6/300

* cited by examiner

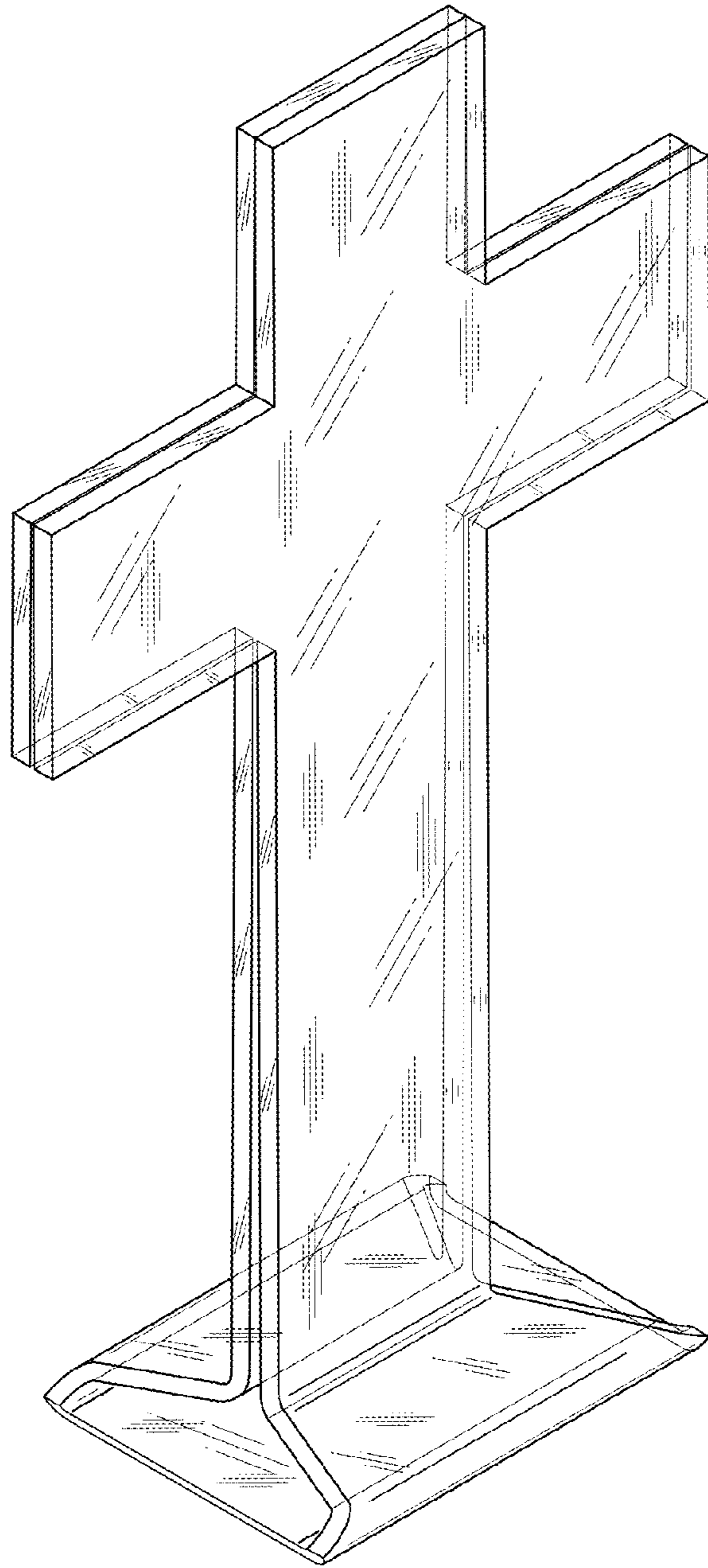


FIG. 1

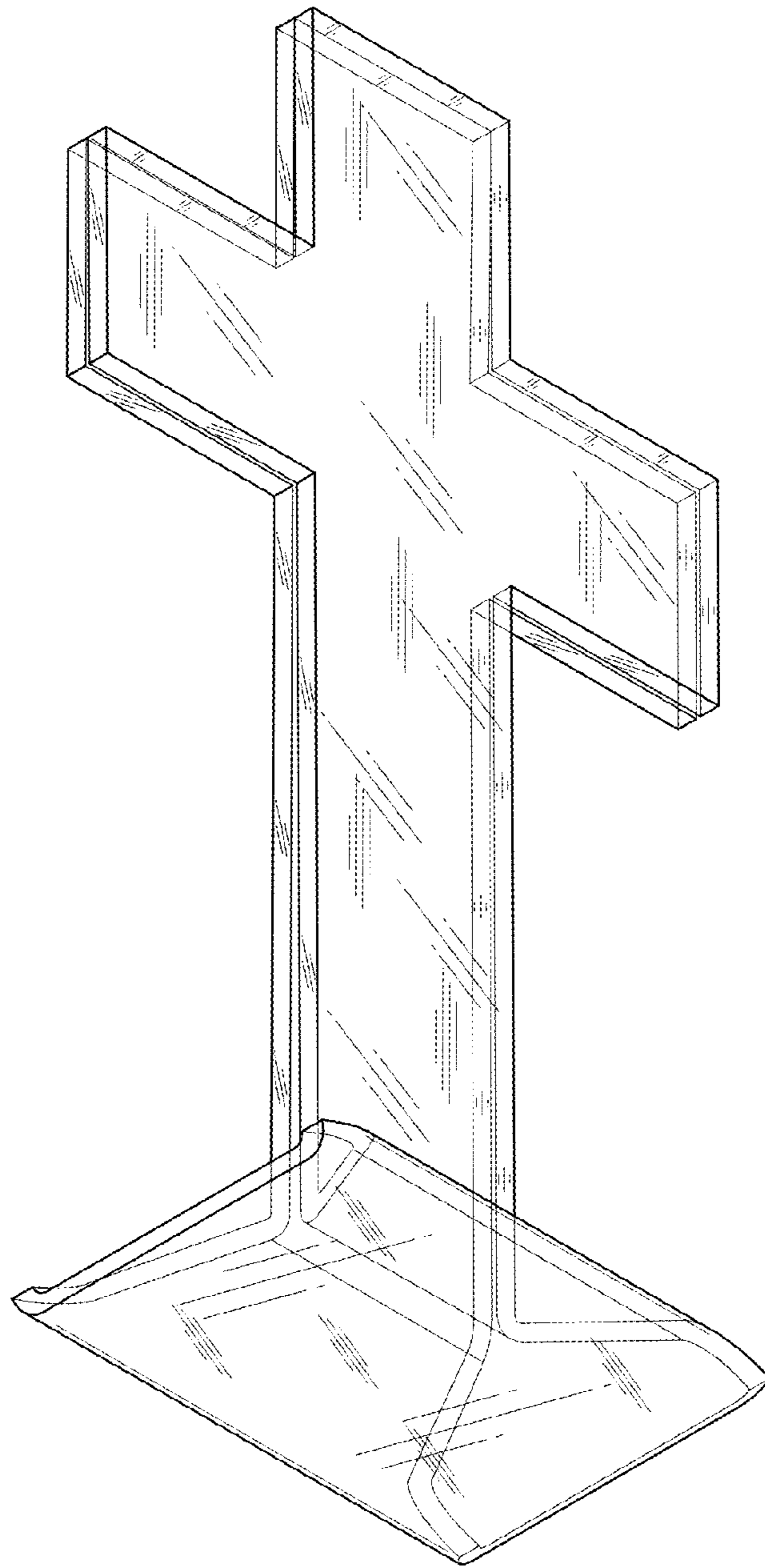


FIG. 2

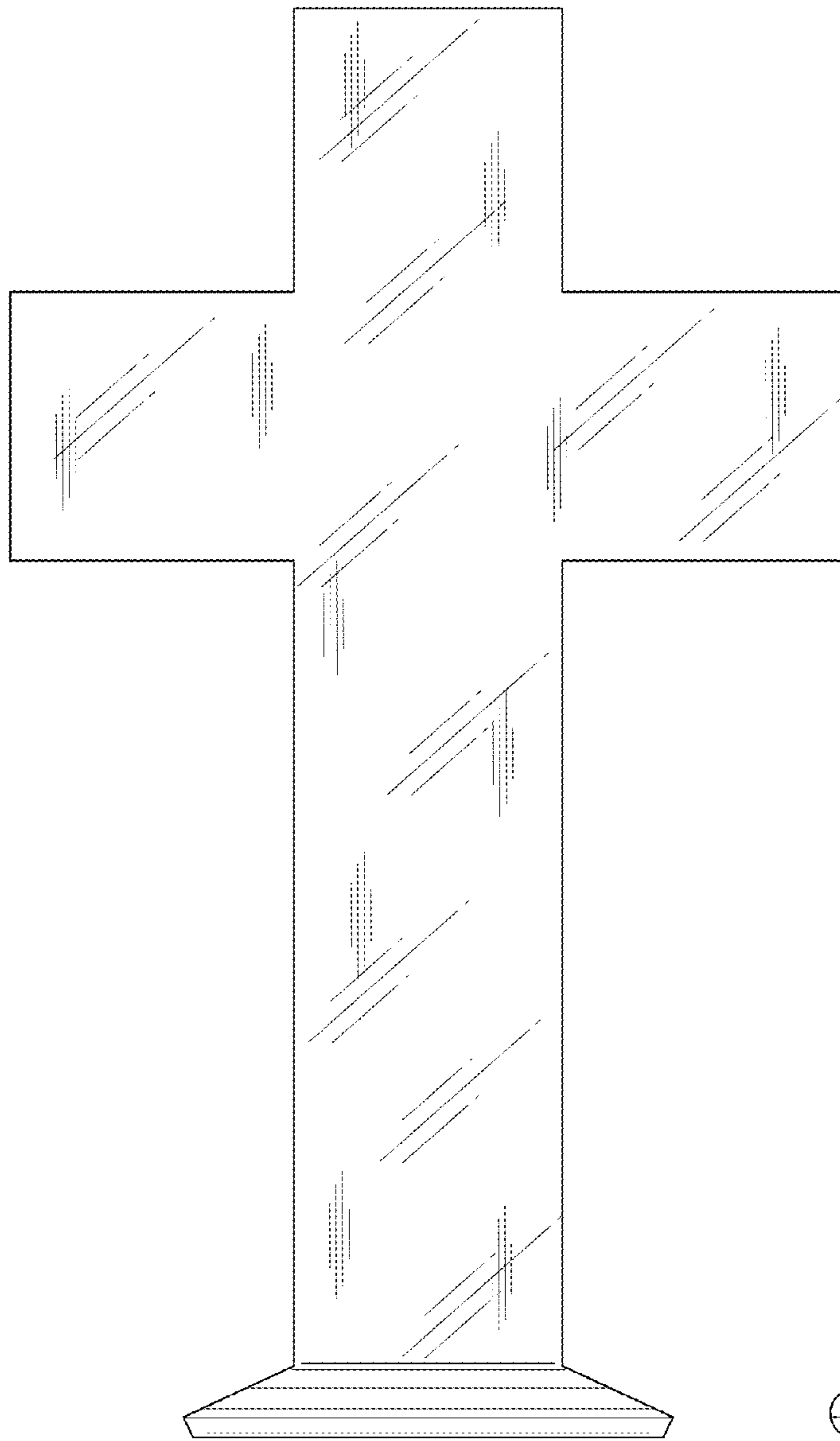


FIG. 3

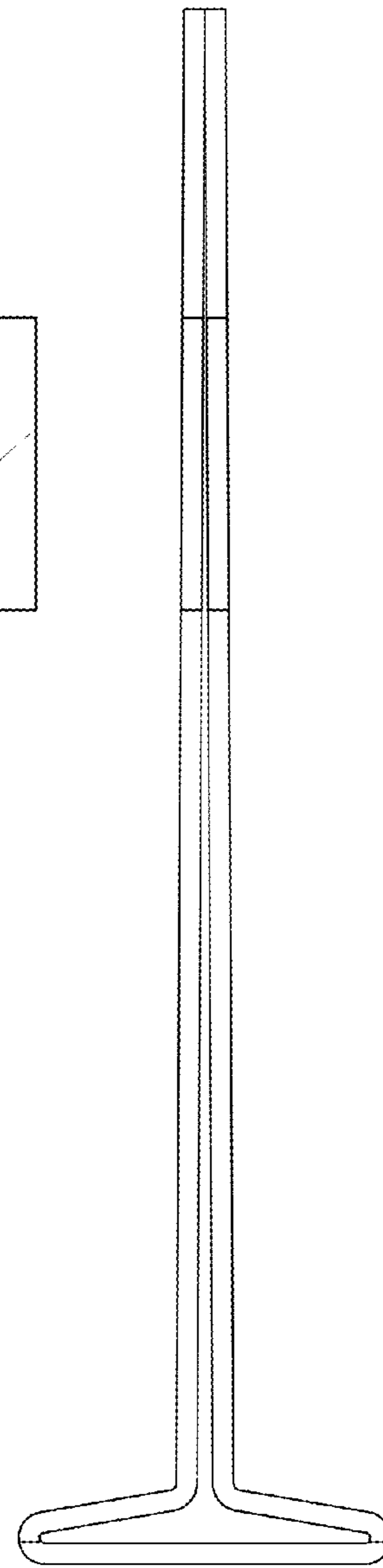


FIG. 4

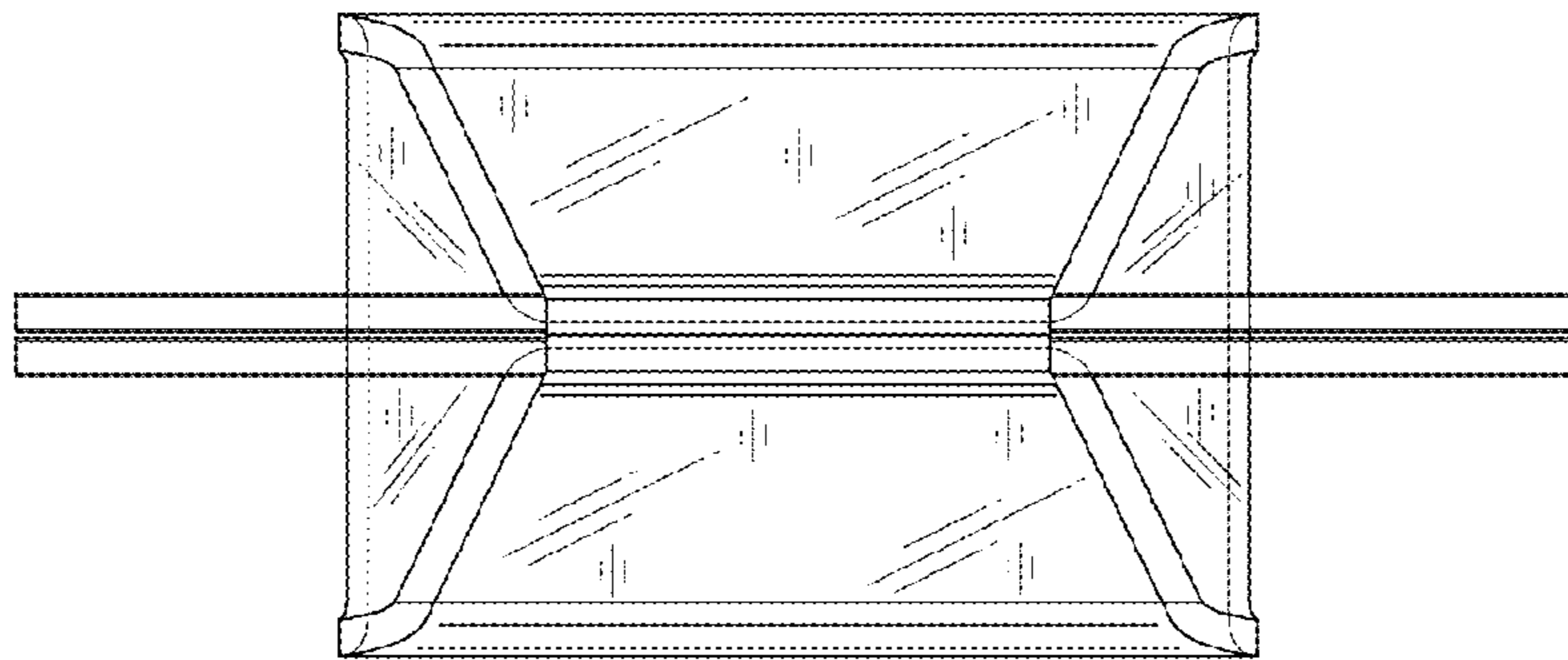


FIG. 5

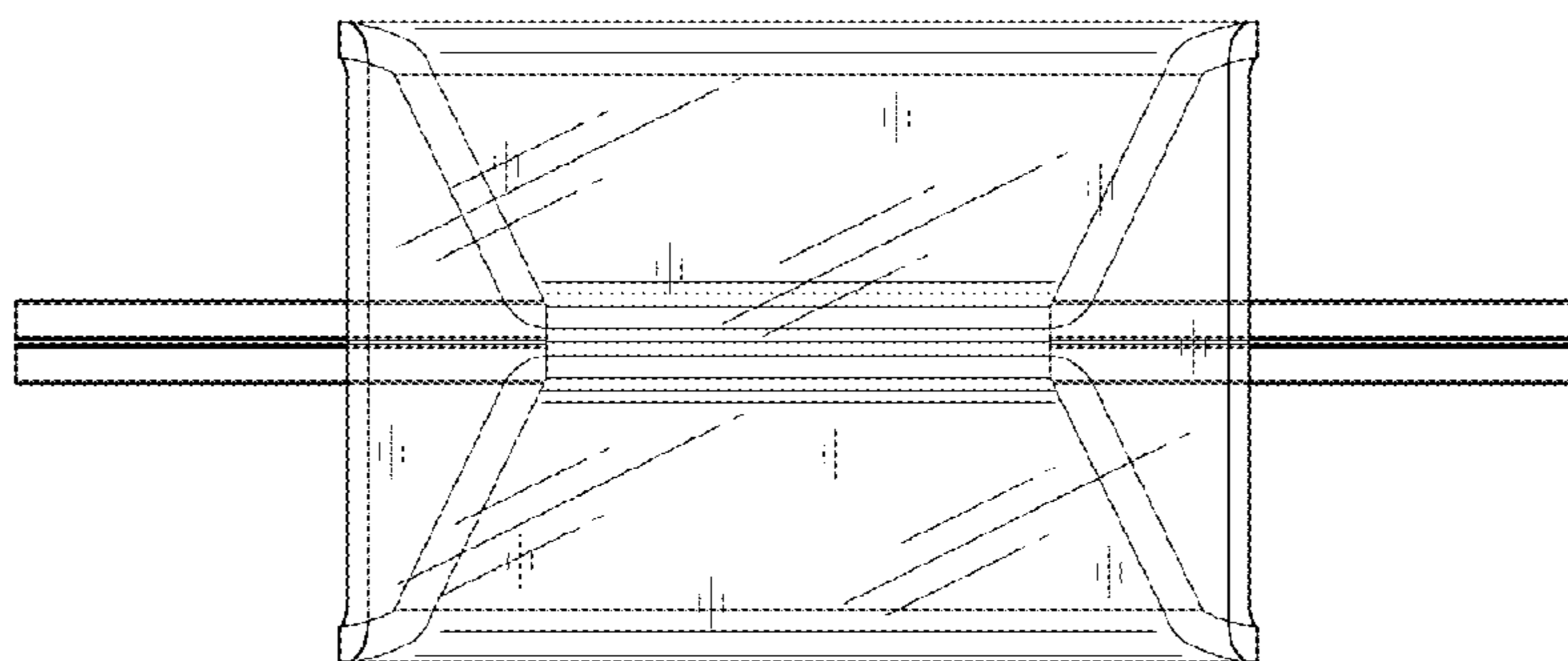


FIG. 6

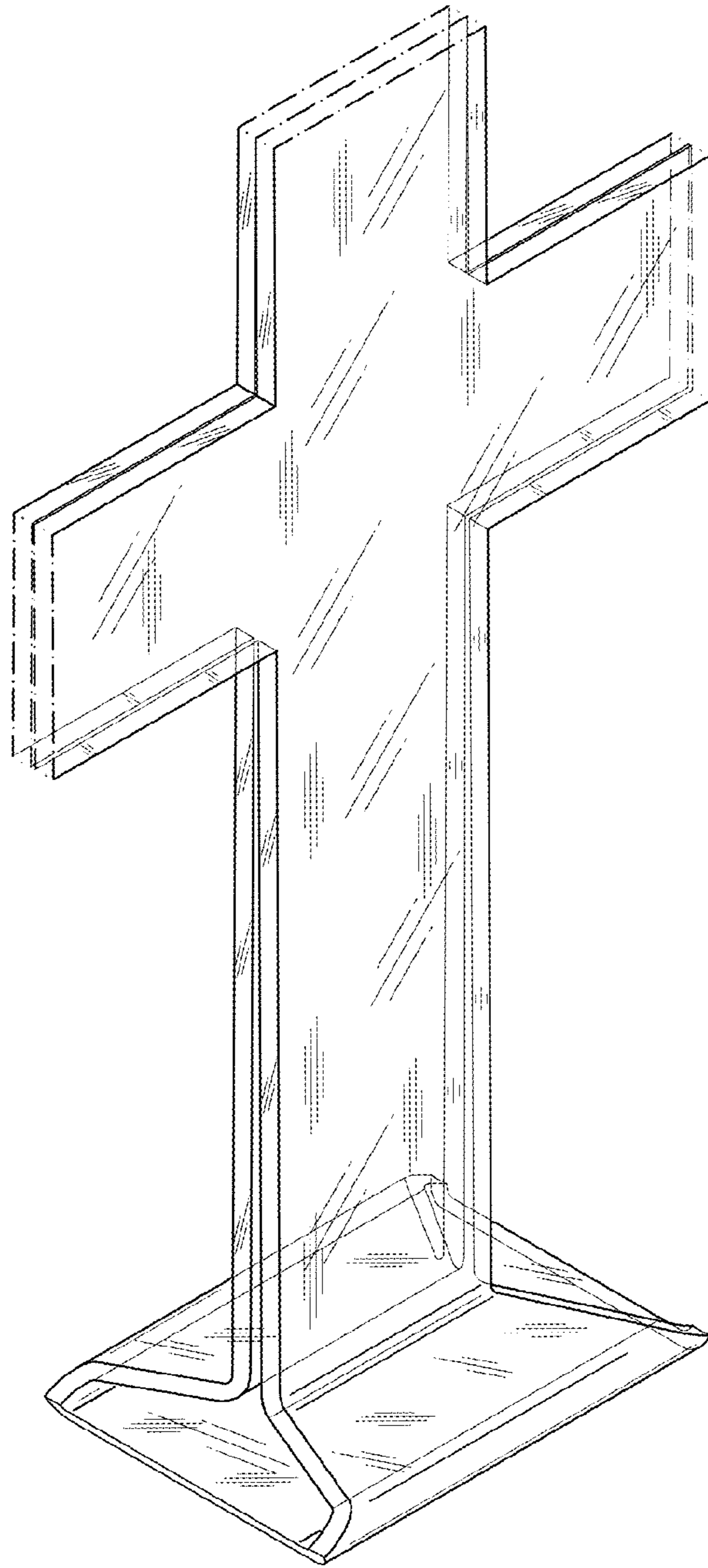


FIG. 7

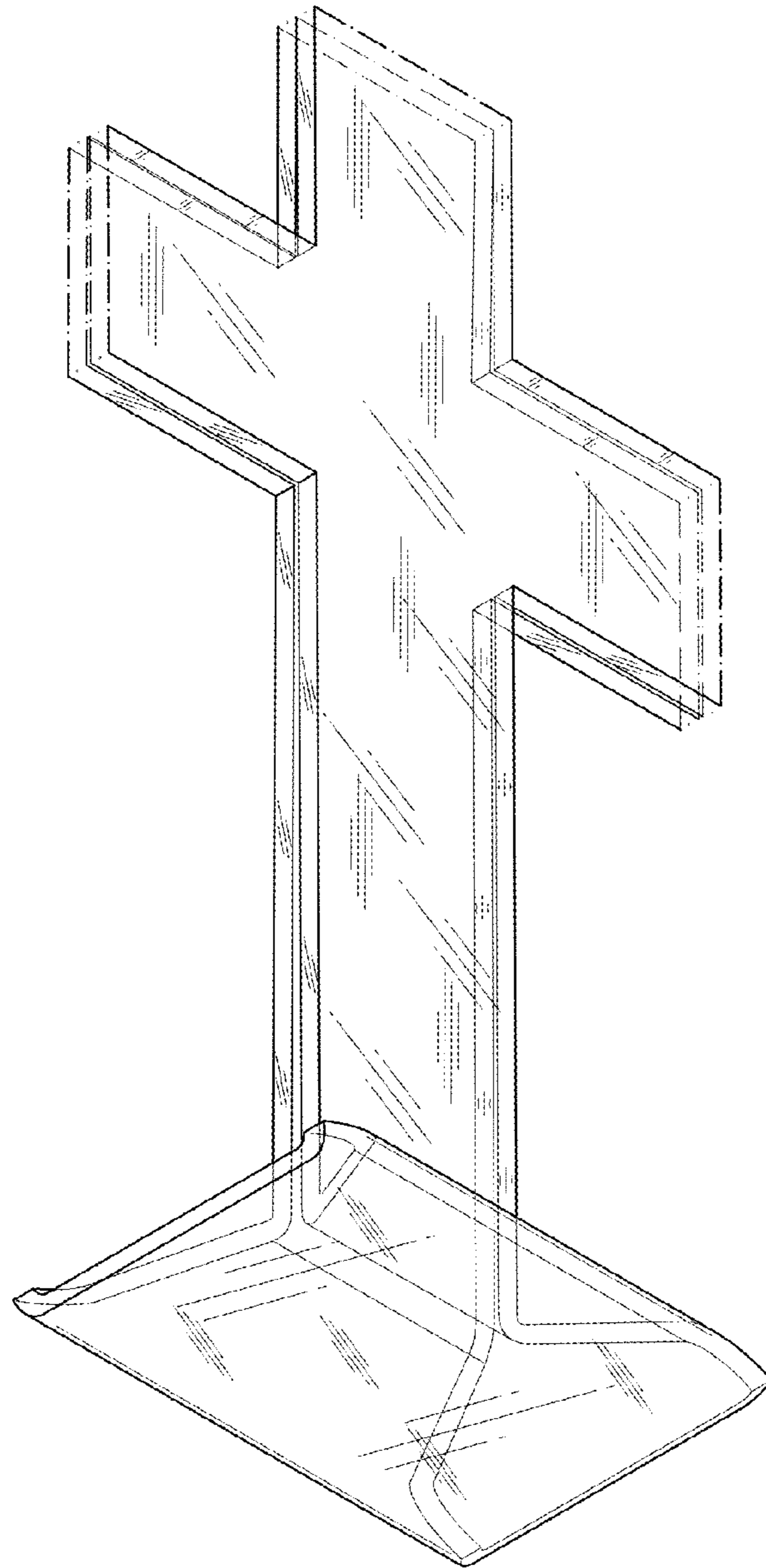


FIG. 8

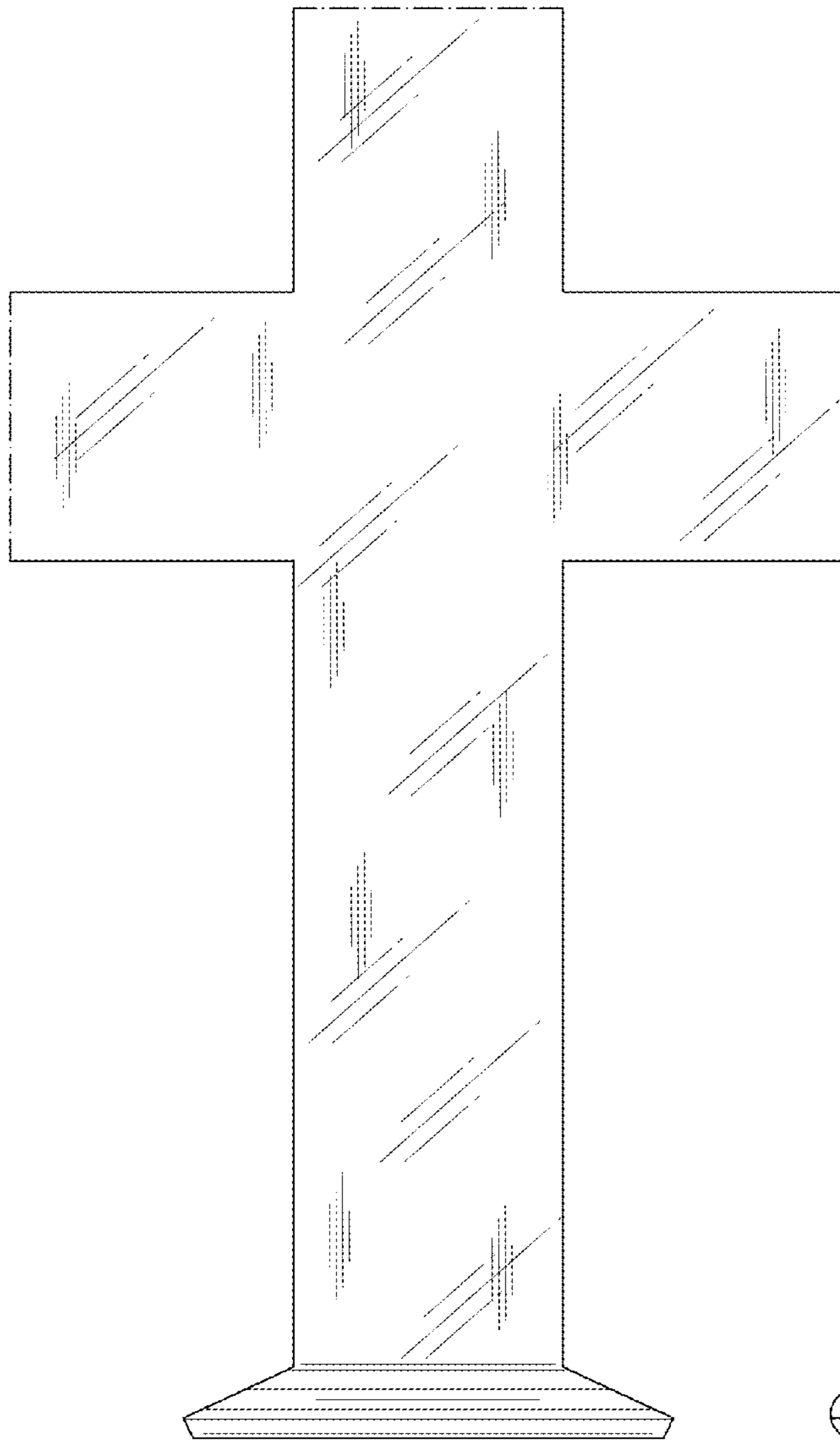


FIG. 9

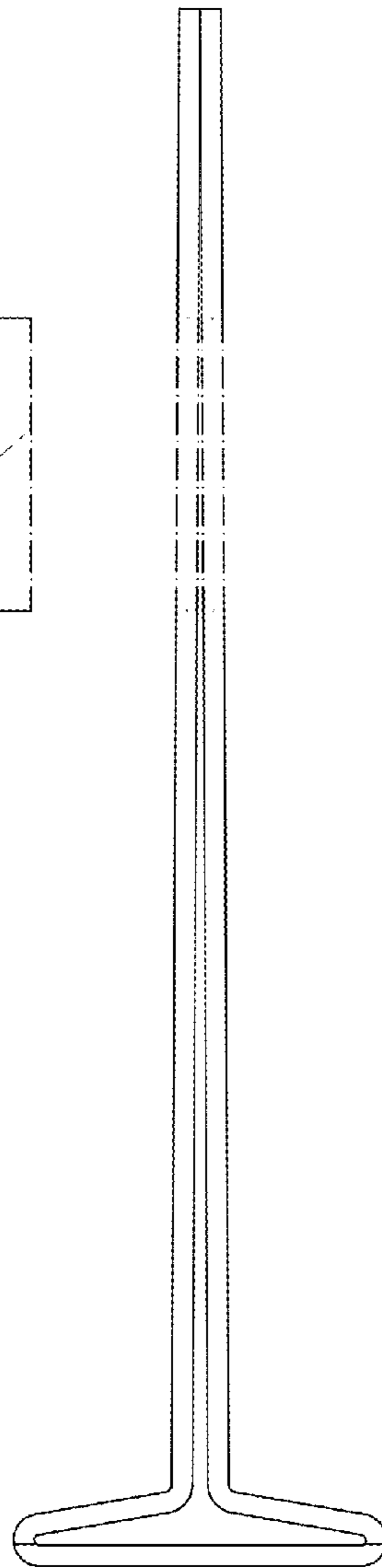


FIG. 10

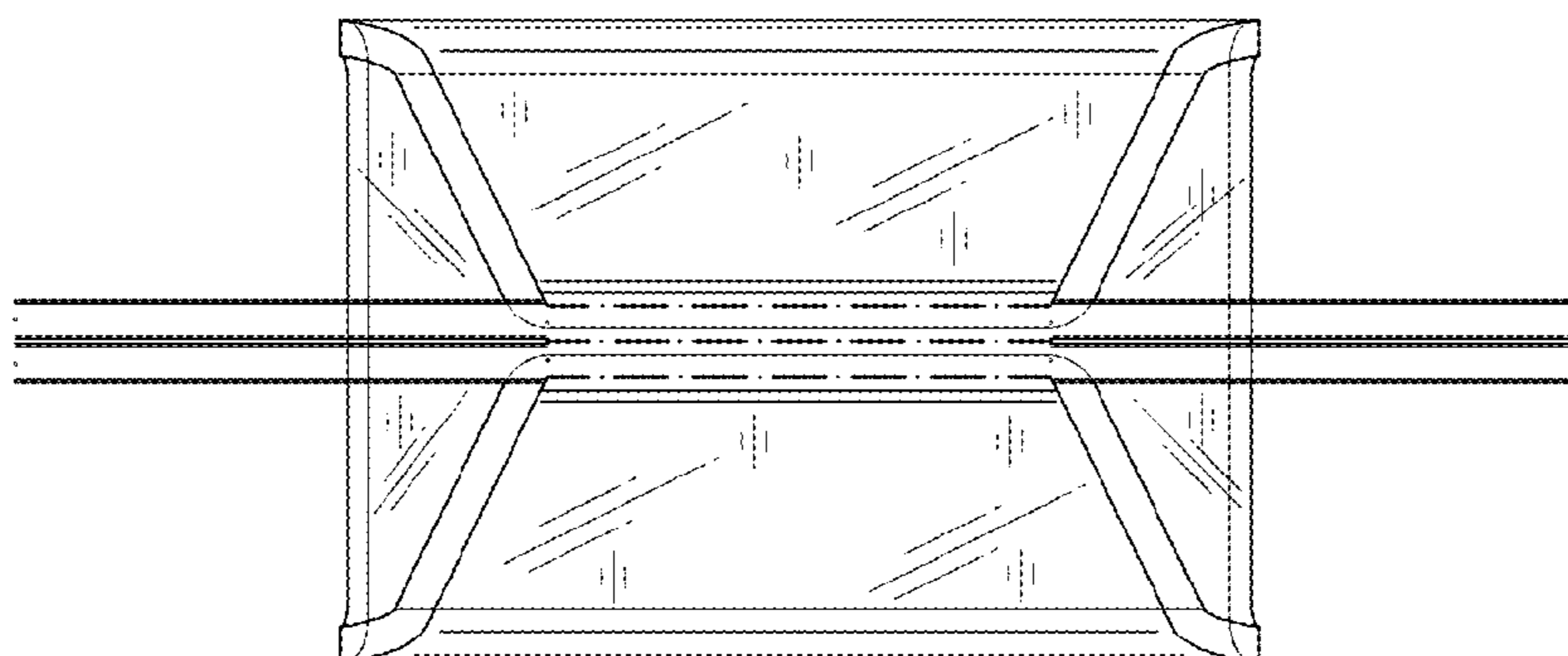


FIG. 11

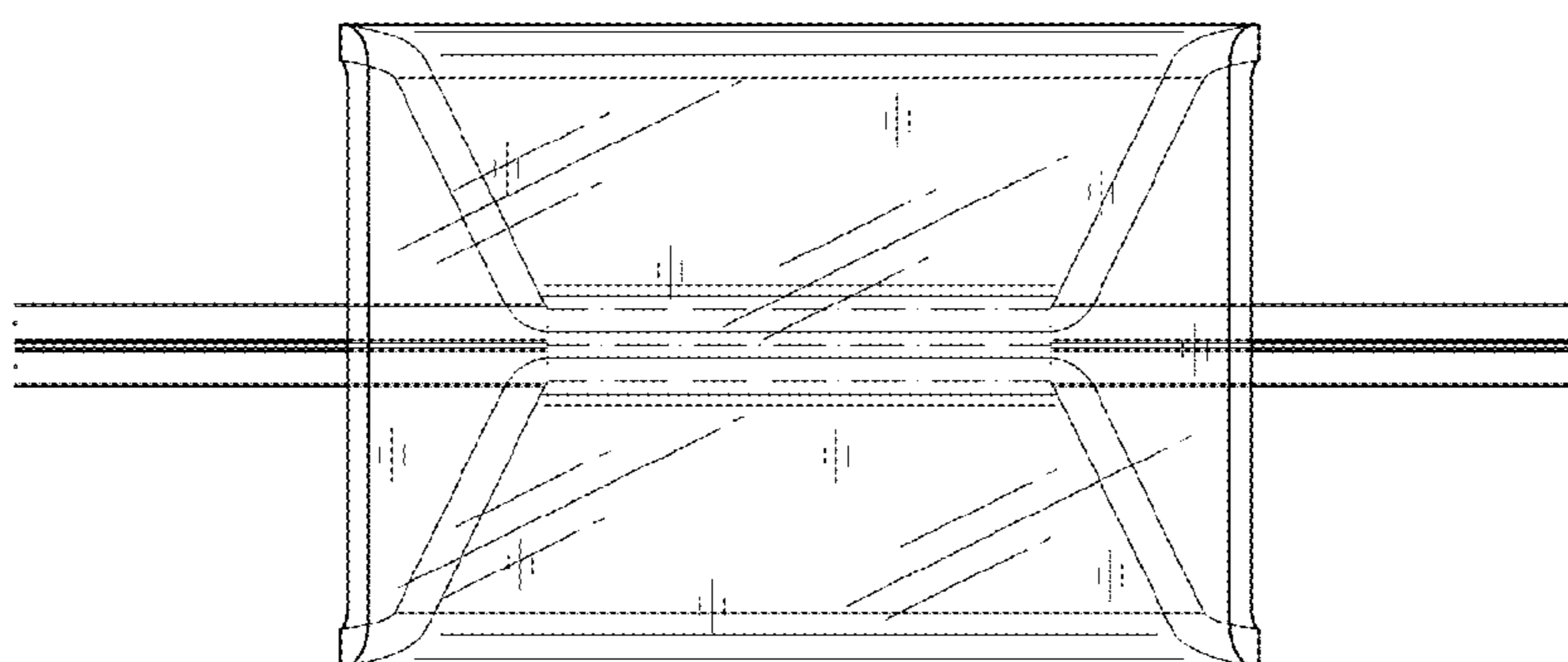


FIG. 12