



US00D752366S

(12) **United States Design Patent**
Celano

(10) **Patent No.:** **US D752,366 S**
(45) **Date of Patent:** **** Mar. 29, 2016**

- (54) **CABINET**
- (71) Applicant: **Peter Celano**, Mesa, AZ (US)
- (72) Inventor: **Peter Celano**, Mesa, AZ (US)
- (**) Term: **14 Years**
- (21) Appl. No.: **29/481,280**
- (22) Filed: **Feb. 4, 2014**
- (51) **LOC (10) Cl.** **06-04**
- (52) **U.S. Cl.**
USPC **D6/672; D6/675**
- (58) **Field of Classification Search**
USPC D3/201, 203.1, 272, 273, 283; D6/670,
D6/672, 675, 683, 708, 706.21, 708.22;
D9/414-418, 432, 433, 499; D19/90;
D30/133; D34/19, 34; 206/515, 527,
206/784, 825; 220/9.1, 9.3, 62, 475, 639,
220/641, 643, 646, 647, 890, 913; 229/100,
229/117.01, 117.67, 120, 120.1, 160
CPC A47B 47/005; A47B 87/0207; A47B
87/0276; A47B 57/42; F16B 12/32
See application file for complete search history.

(56) **References Cited**

U.S. PATENT DOCUMENTS

D341,961 S	*	12/1993	Howden	D13/184
D399,648 S	*	10/1998	Hilton	D3/201
D423,171 S	*	4/2000	Alcala	D34/19
D600,944 S	*	9/2009	McConnell	D6/675
D609,028 S	*	2/2010	LeTourneau	D6/663
D622,959 S	*	9/2010	Zalewski	D3/273
D634,950 S	*	3/2011	Wahl	D6/708
D711,171 S	*	8/2014	Brielmaier	D6/675
D714,578 S	*	10/2014	Woods	D6/708
D718,560 S	*	12/2014	Denby	D6/708
D723,308 S	*	3/2015	Franck	D6/675

* cited by examiner

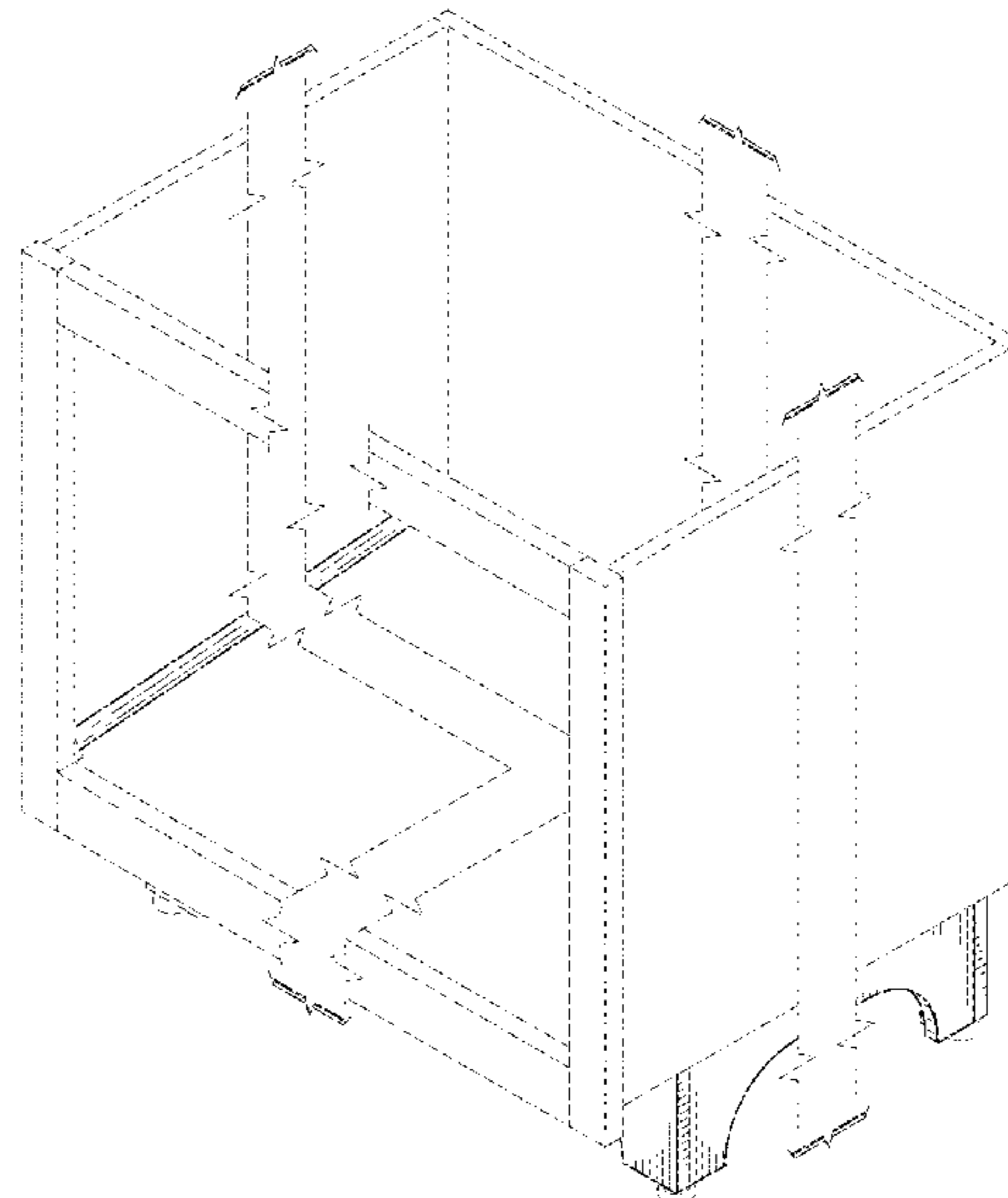
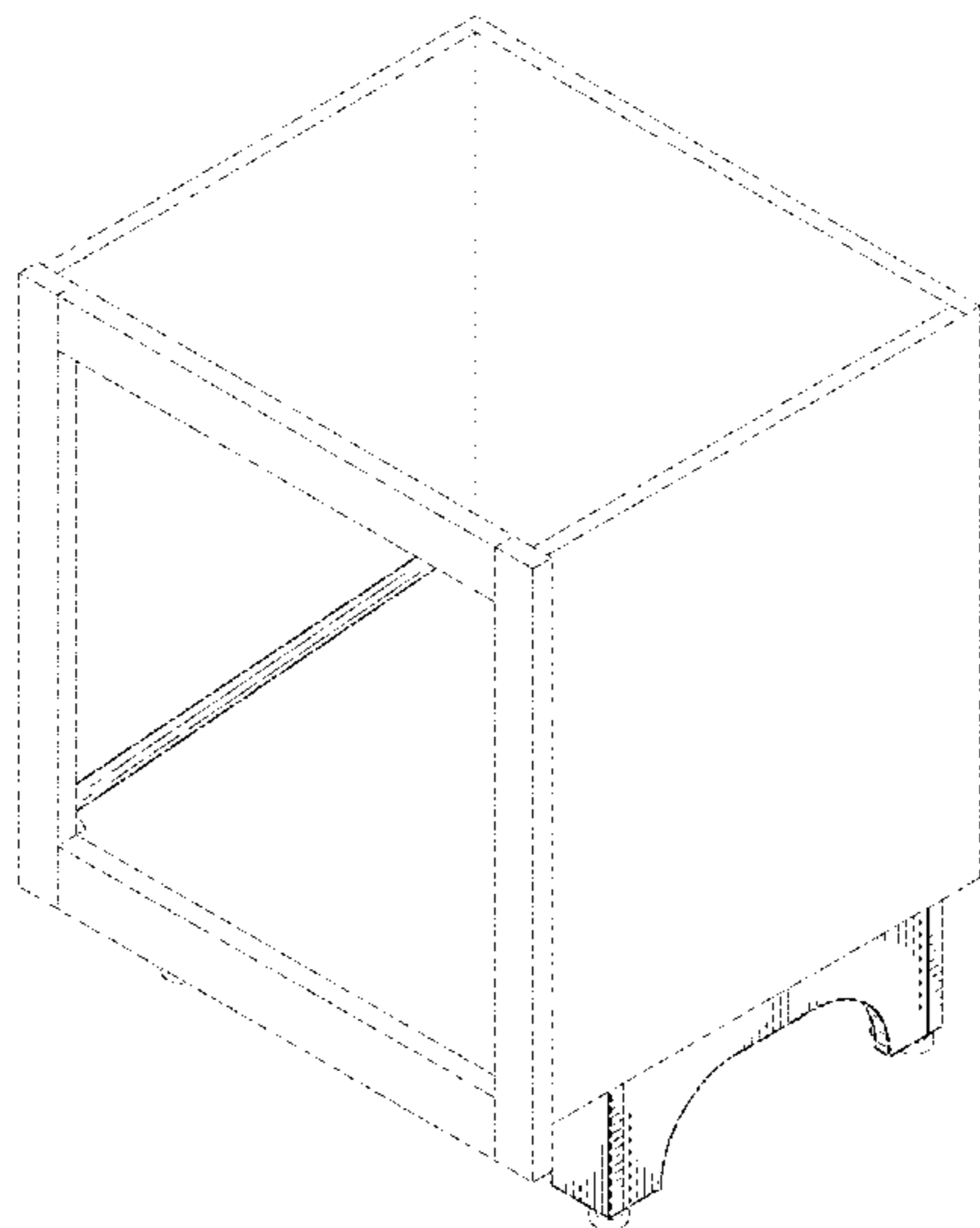
Primary Examiner — Thomas Johannes
Assistant Examiner — Catherine Posthauer

(57) **CLAIM**
The ornamental design for a cabinet, as shown and described.

DESCRIPTION

FIG. 1 is a perspective view of the present invention;
 FIG. 2 is a front view of the present invention;
 FIG. 3 is a back view of the present invention;
 FIG. 4 is a right side view of the present invention;
 FIG. 5 is a left side view of the present invention;
 FIG. 6 is a top view of the present invention;
 FIG. 7 is a bottom view of the present invention;
 FIG. 8 is a cross section view taken in the direction of line in Figure;
 FIG. 9 is an exploded perspective view of the present invention;
 FIG. 10 is an exploded front view of the present invention of FIG. 9;
 FIG. 11 is an exploded back view of the present invention of FIG. 9;
 FIG. 12 is an exploded right side view of the present invention of FIG. 9;
 FIG. 13 is an exploded left side view of the present invention of FIG. 9;
 FIG. 14 is an exploded top view of the present invention of FIG. 9;
 FIG. 15 is an exploded bottom view of the present invention of FIG. 9; and,
 FIG. 16 is a cross section view taken in the direction of line in Figure.
 The broken lines are shown for the purpose of illustrating portions of the article that form no part of the claimed design.

1 Claim, 10 Drawing Sheets



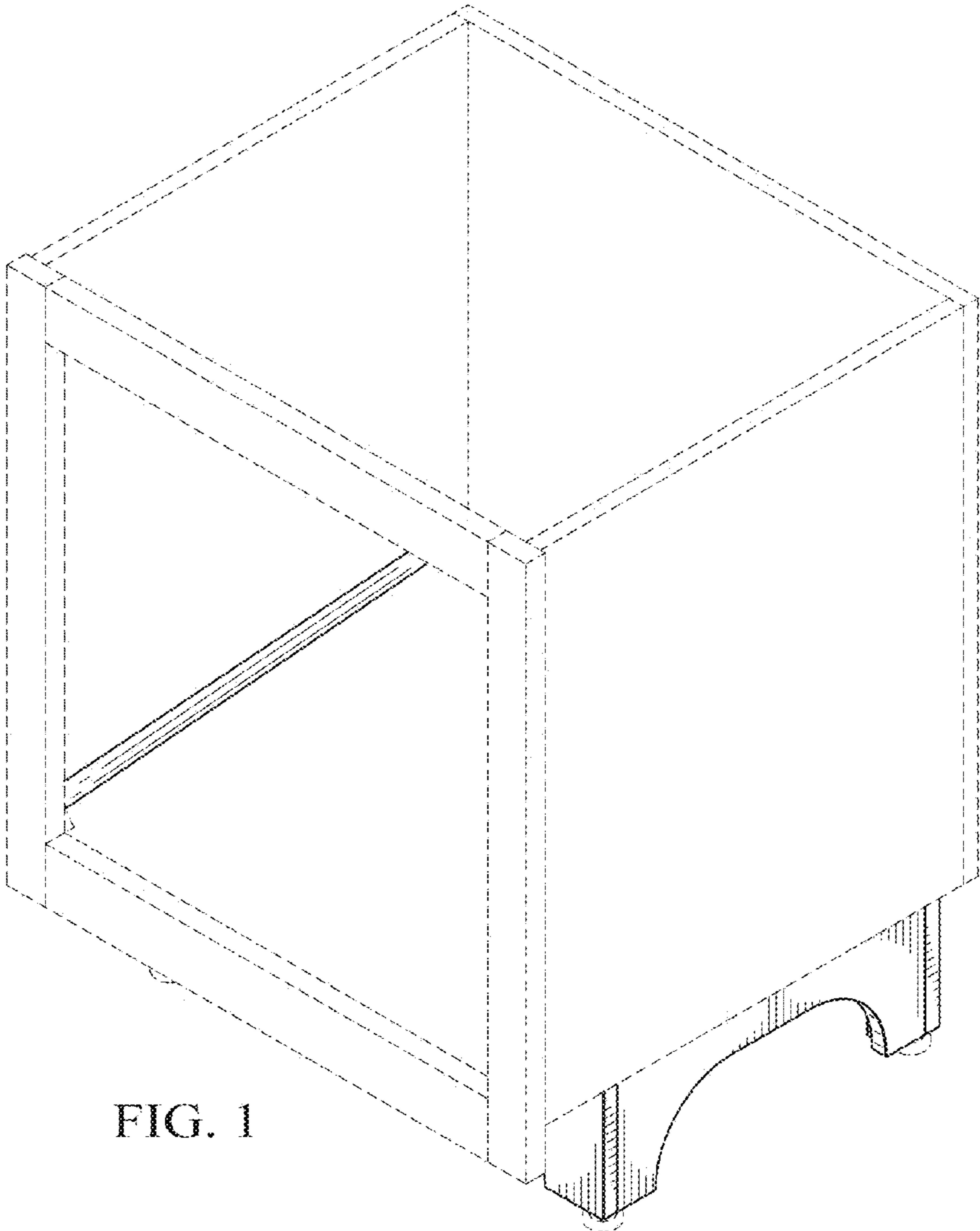


FIG. 1

FIG. 3

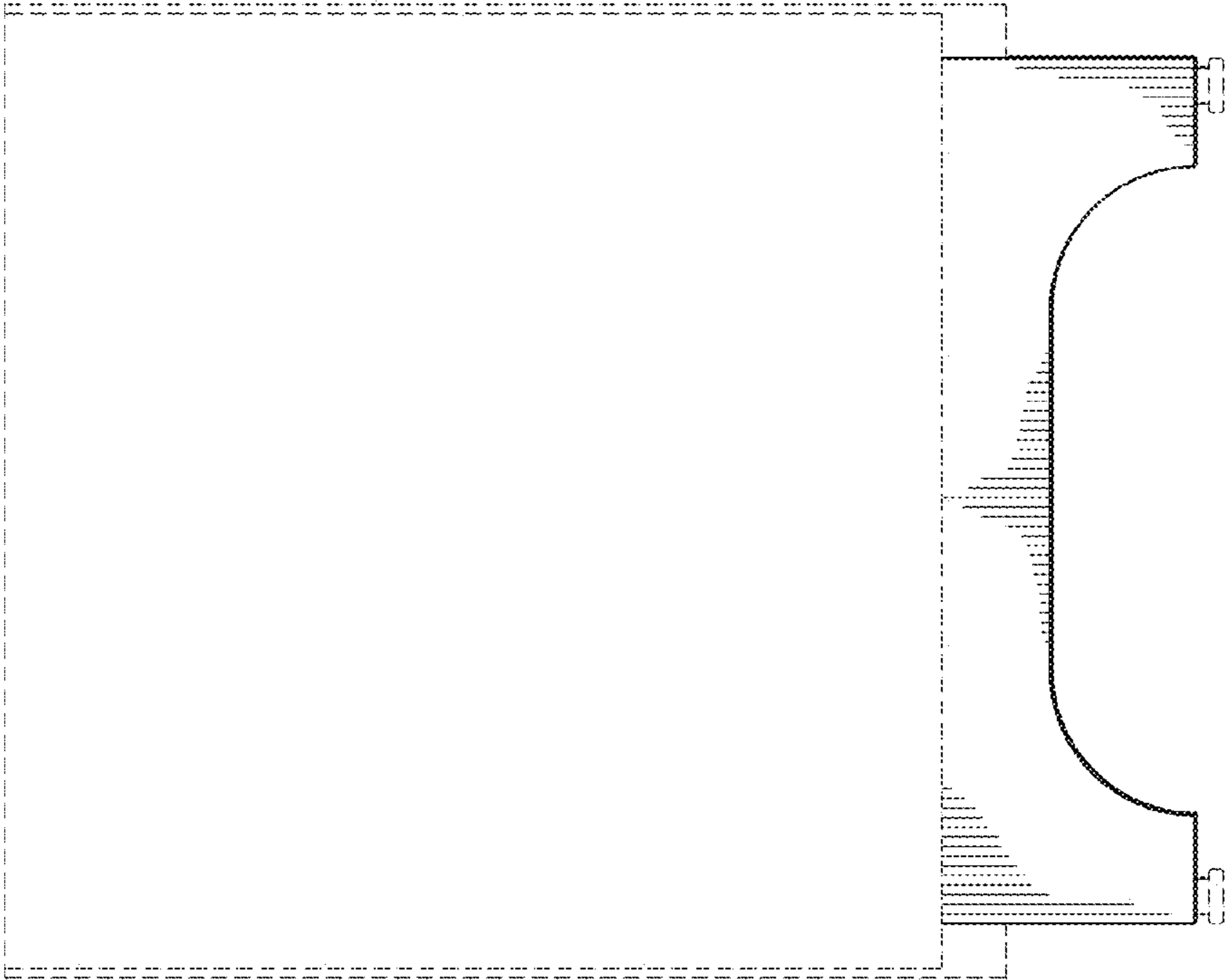


FIG. 2

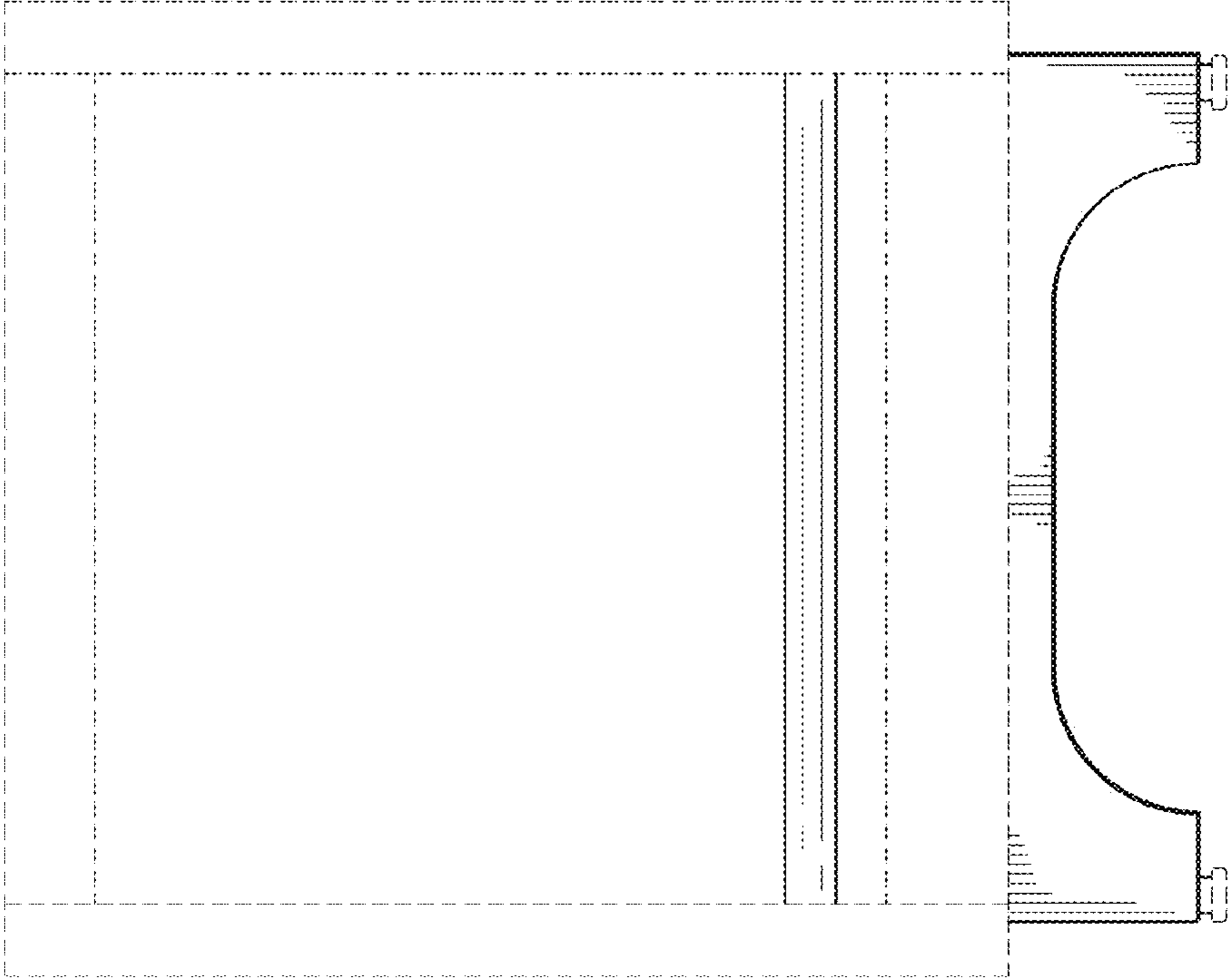


FIG. 5

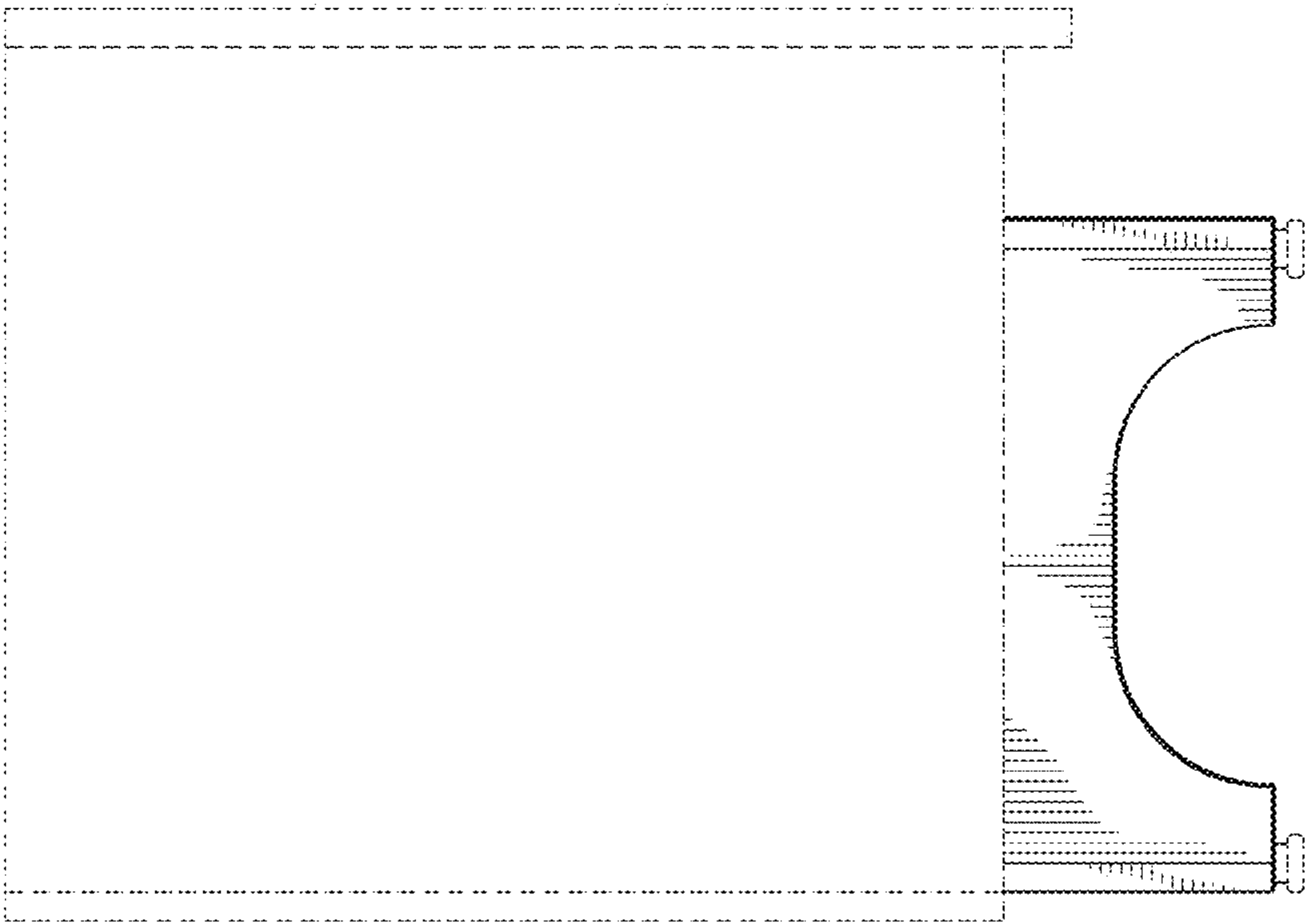
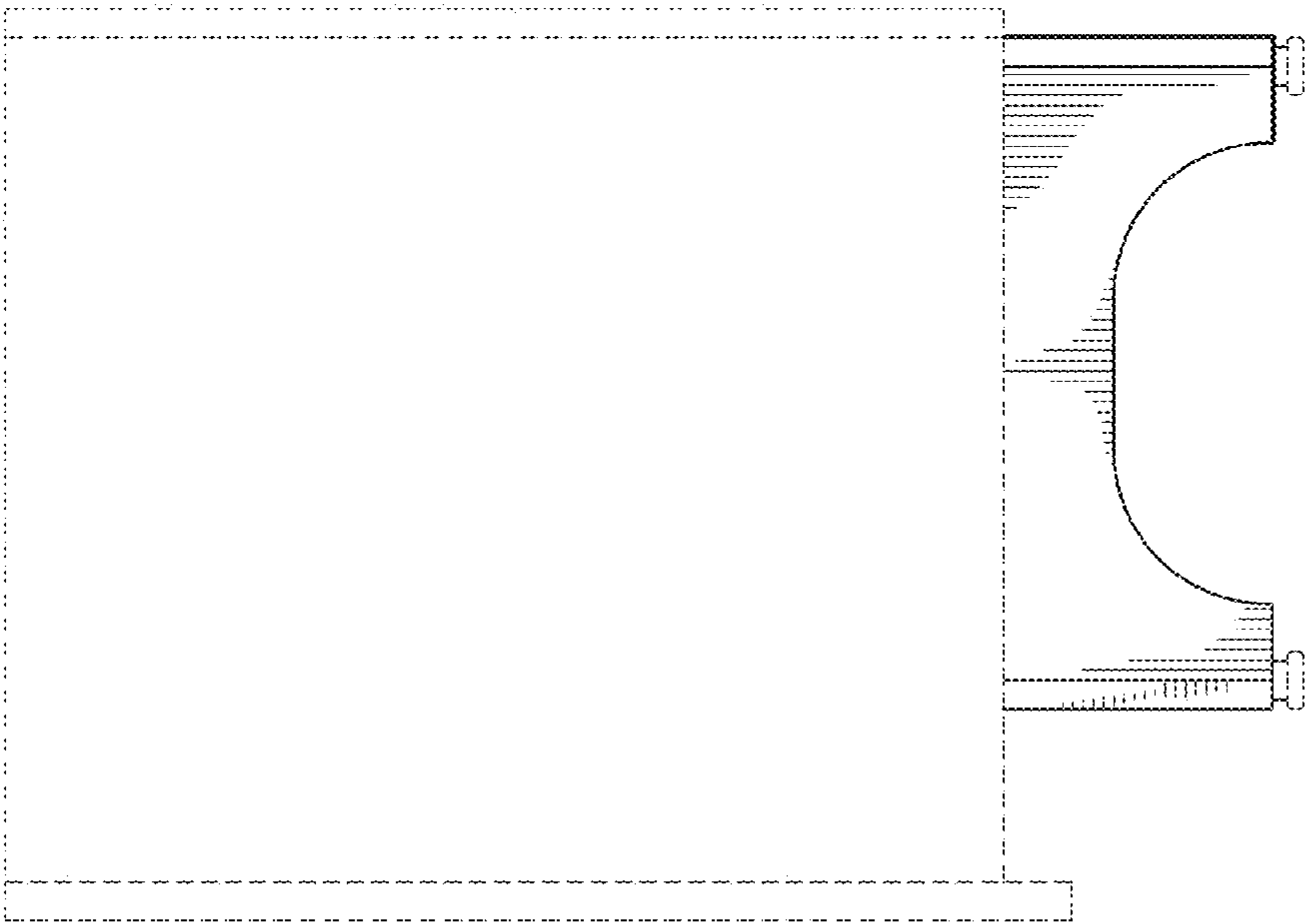


FIG. 4



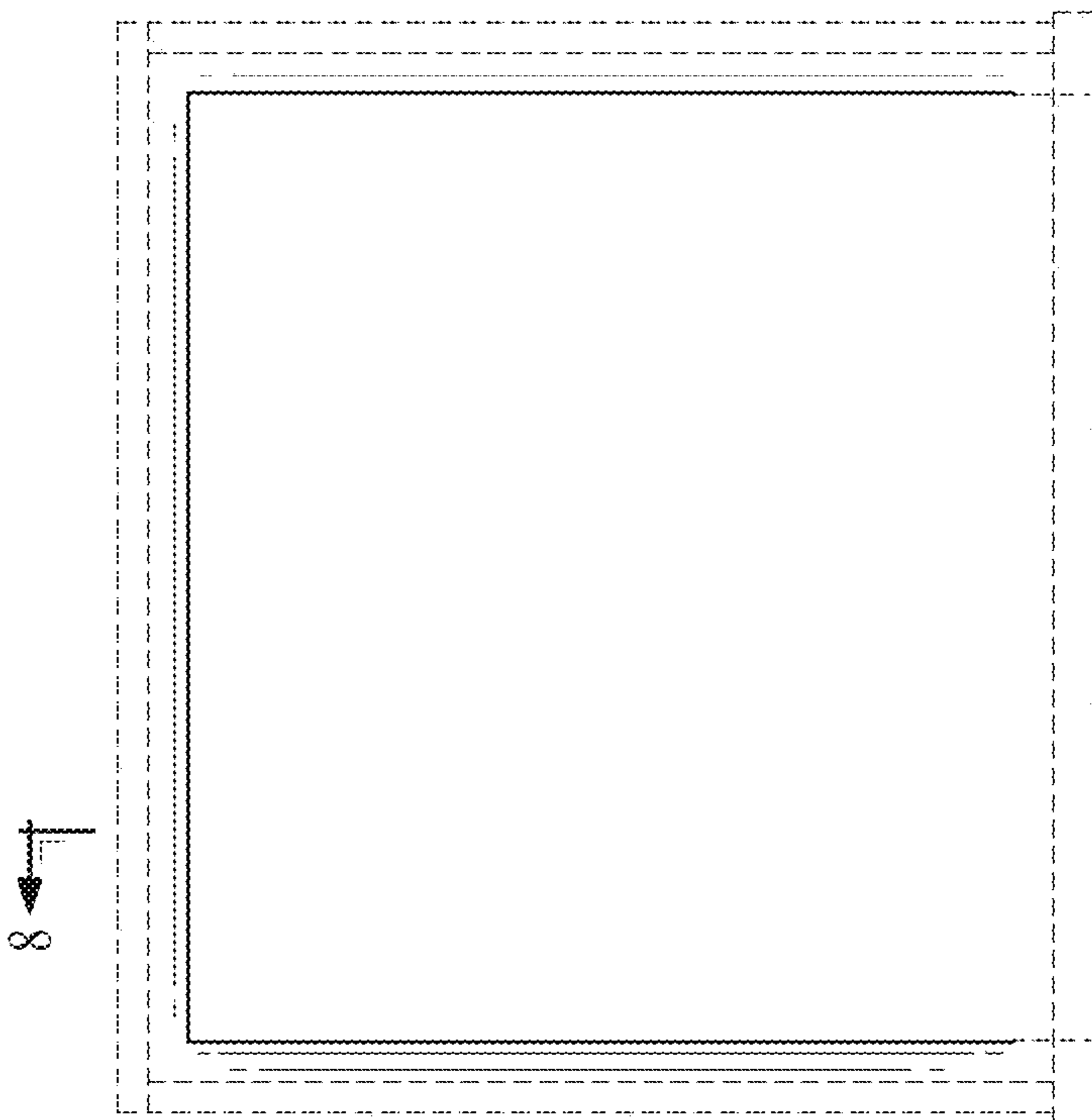


FIG. 6

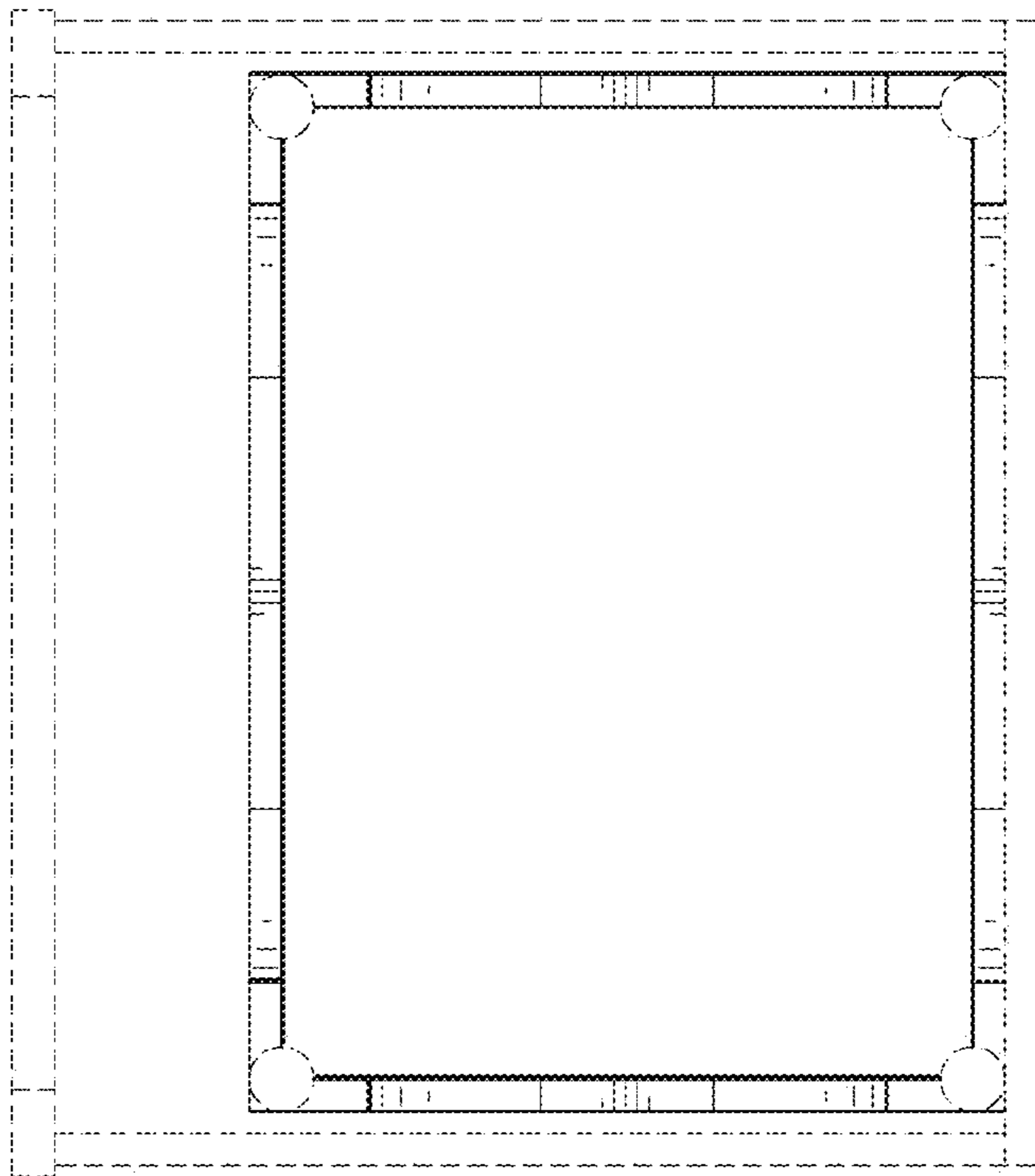
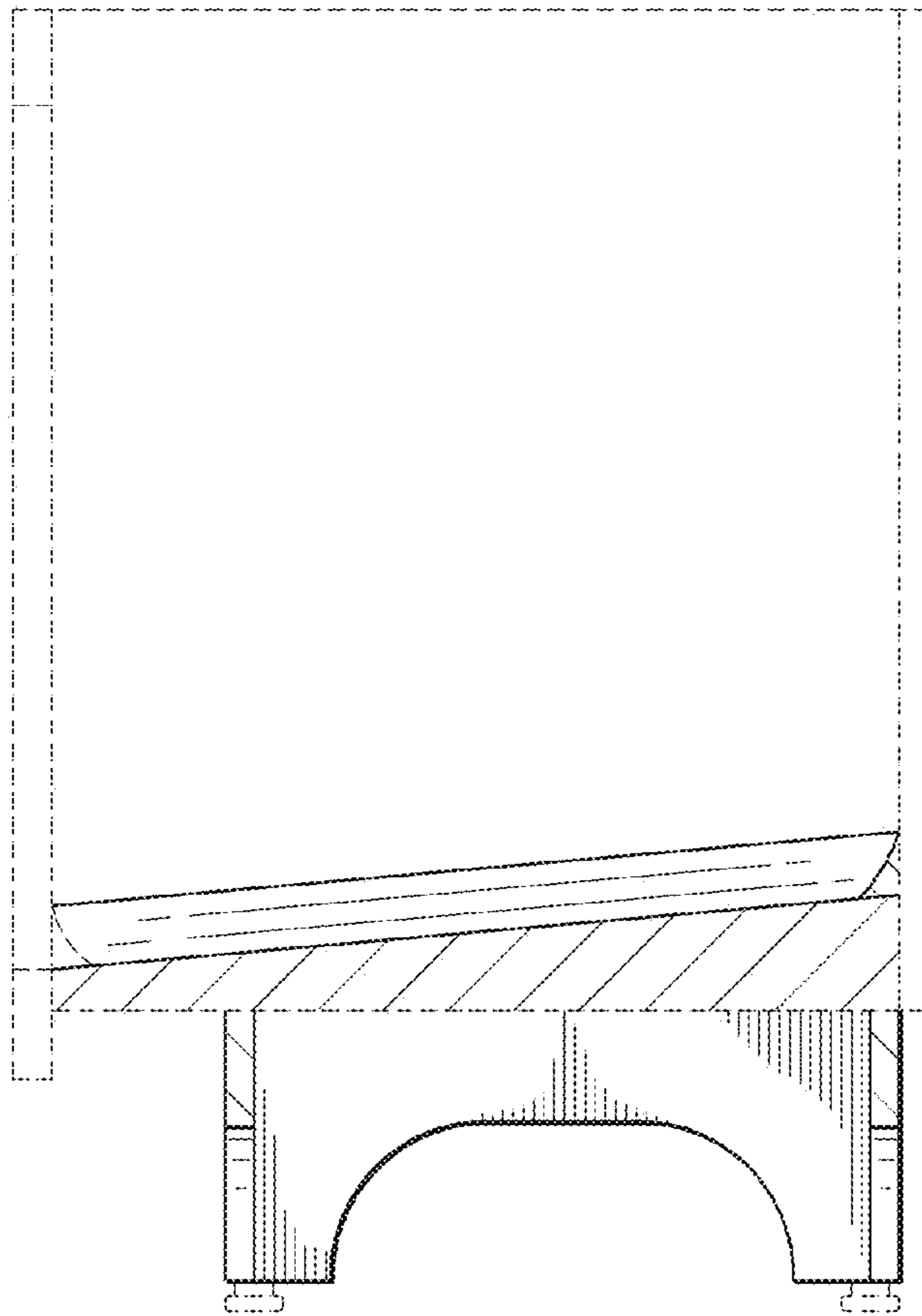


FIG. 7

FIG. 8



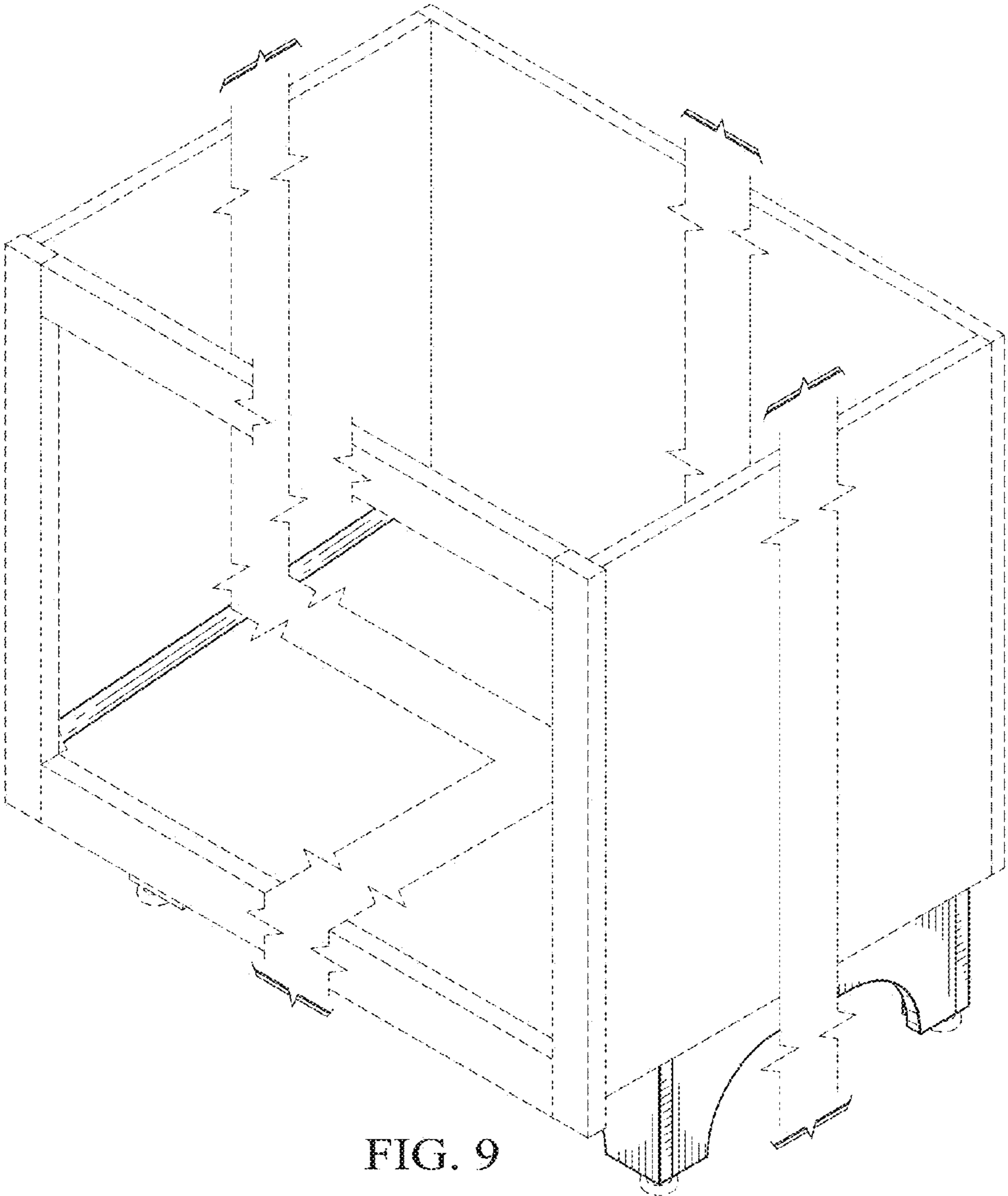


FIG. 9

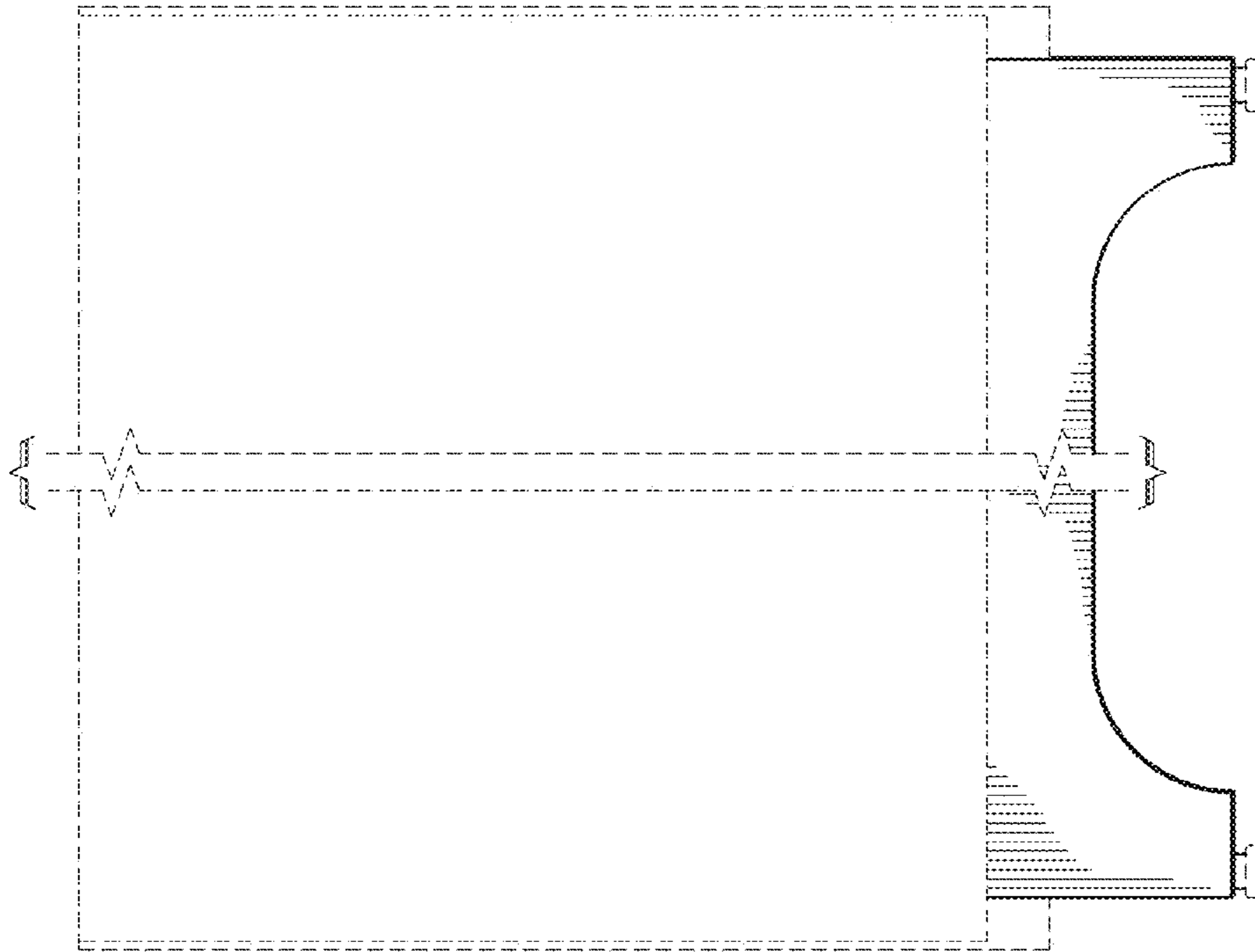


FIG. 11

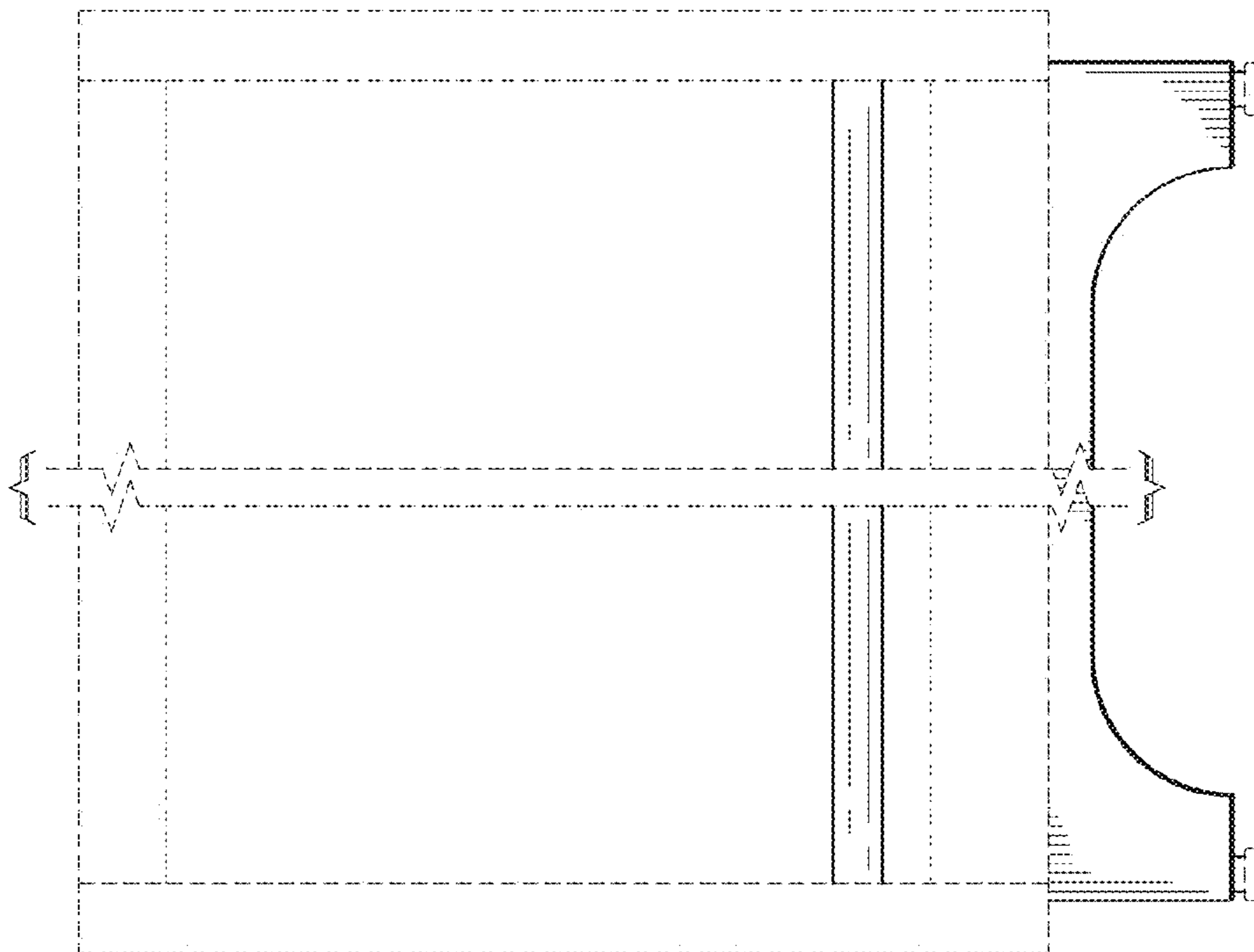


FIG. 10

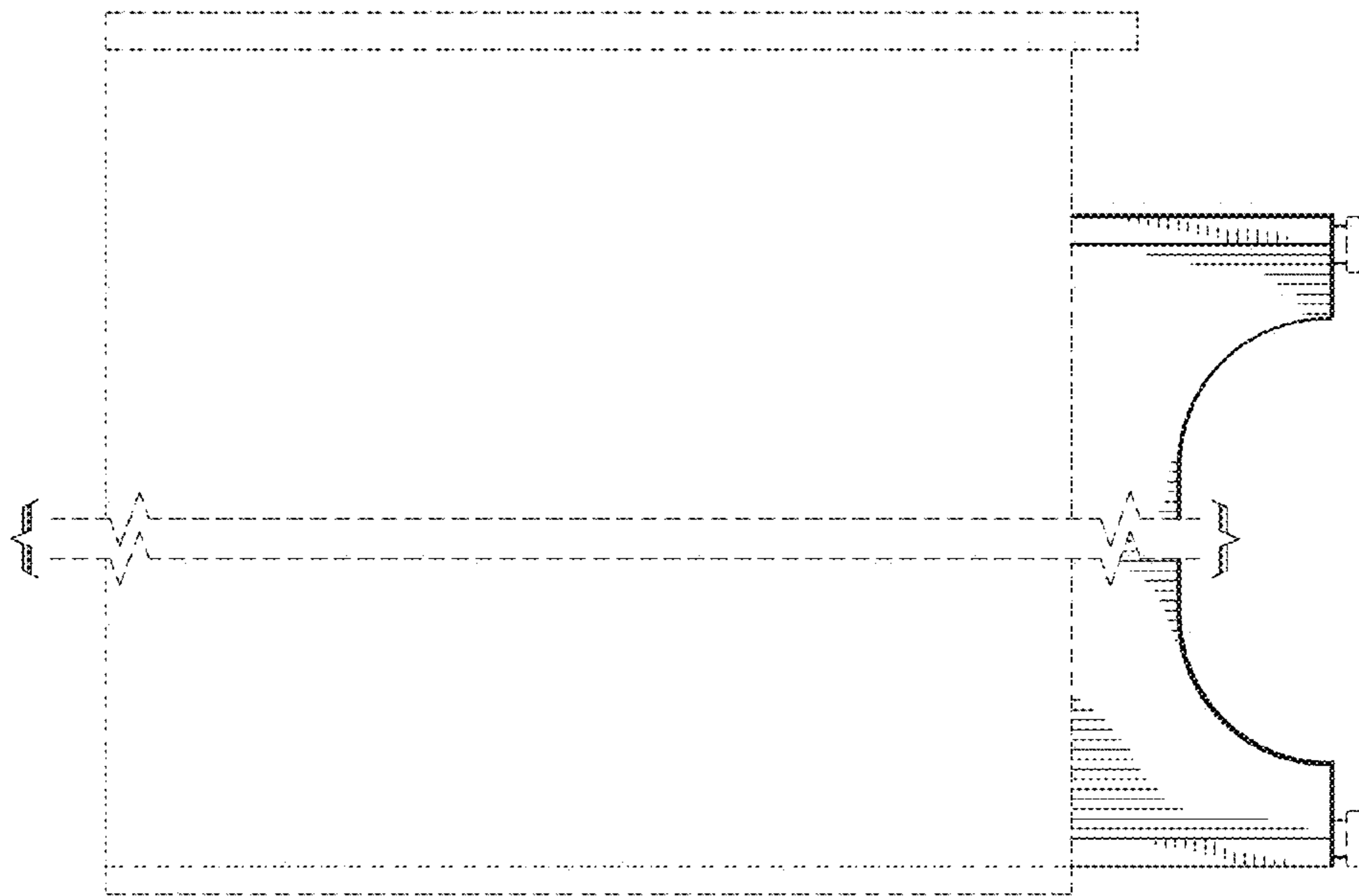


FIG. 12

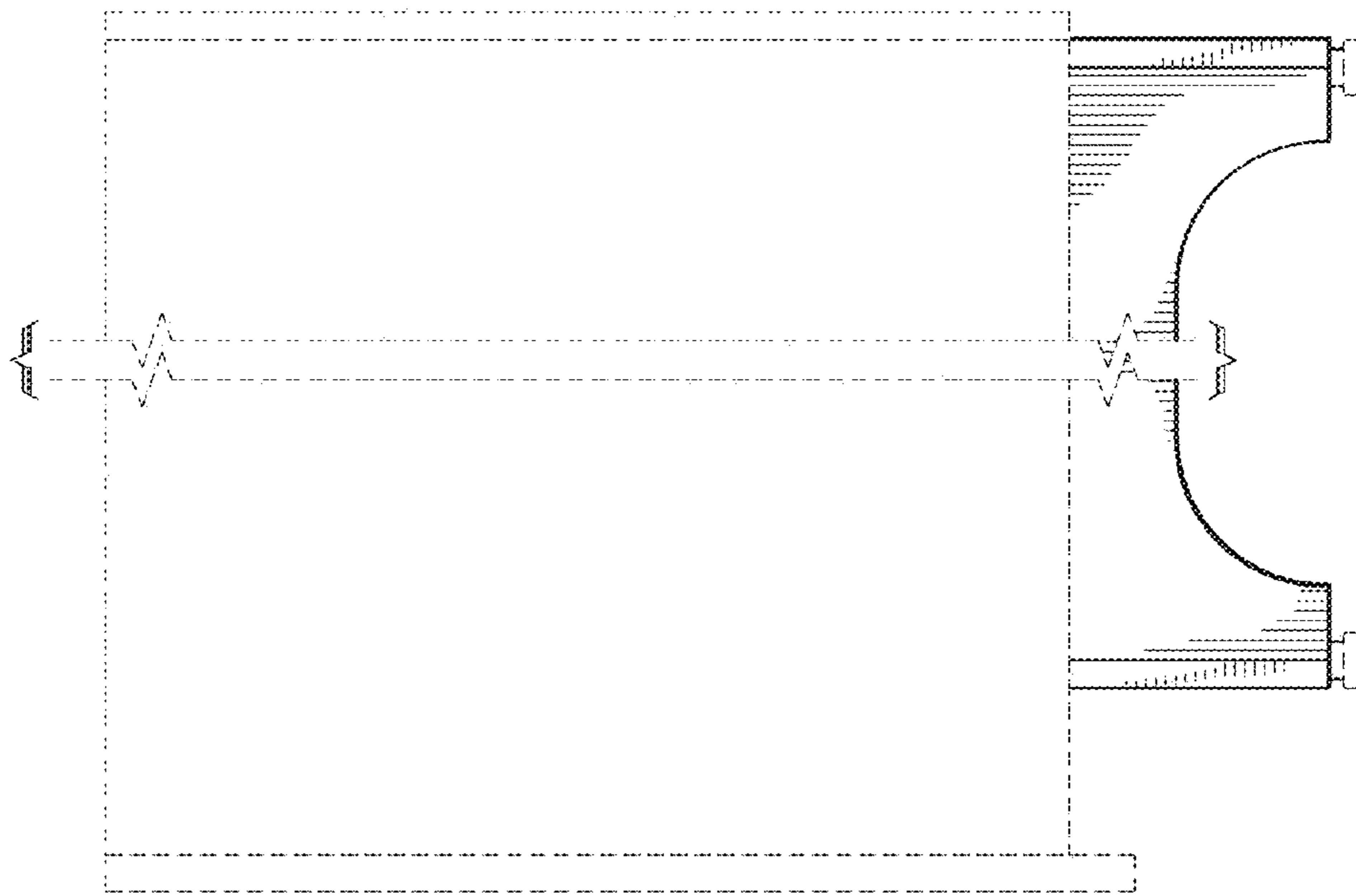


FIG. 13

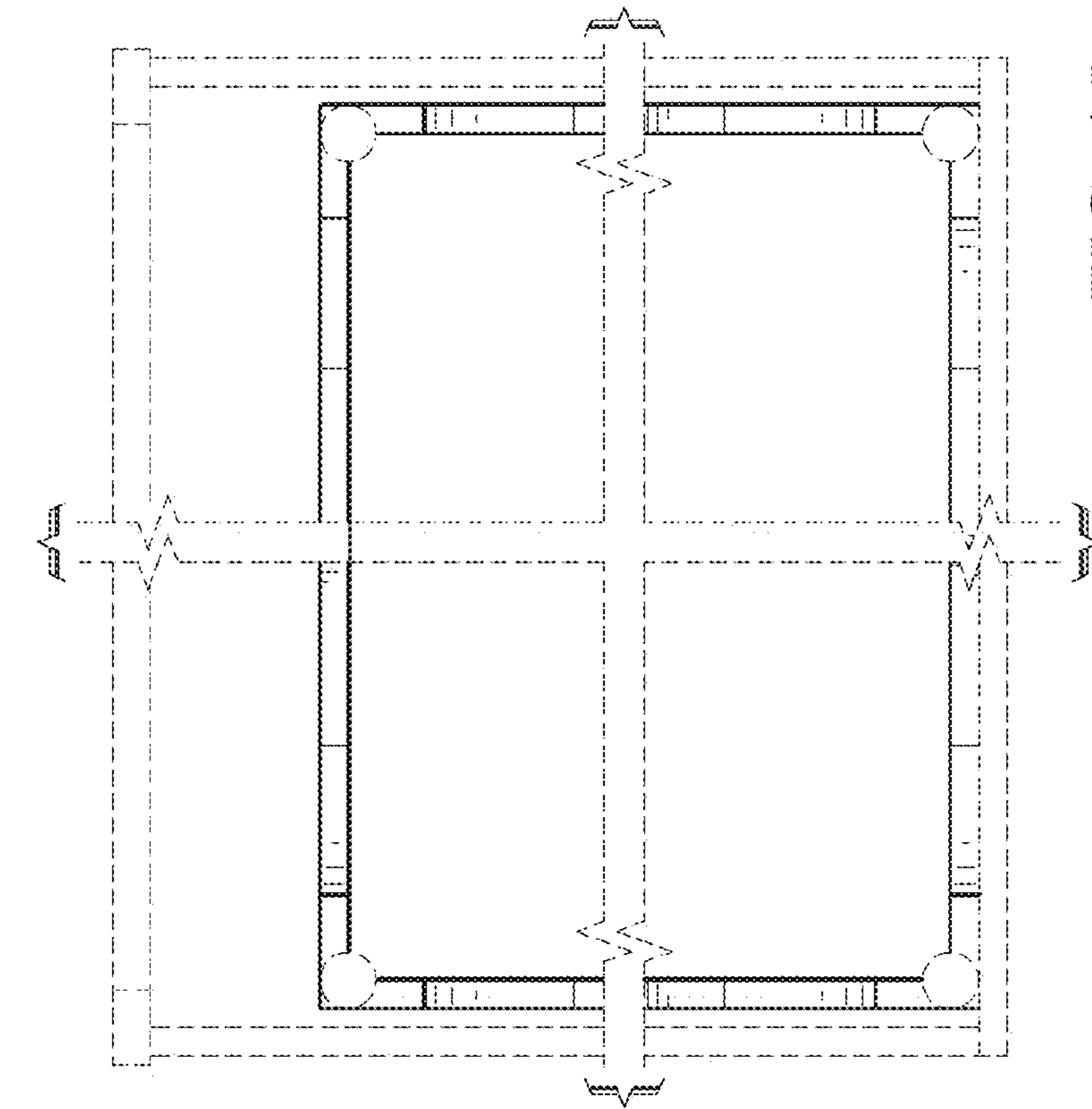


FIG. 15

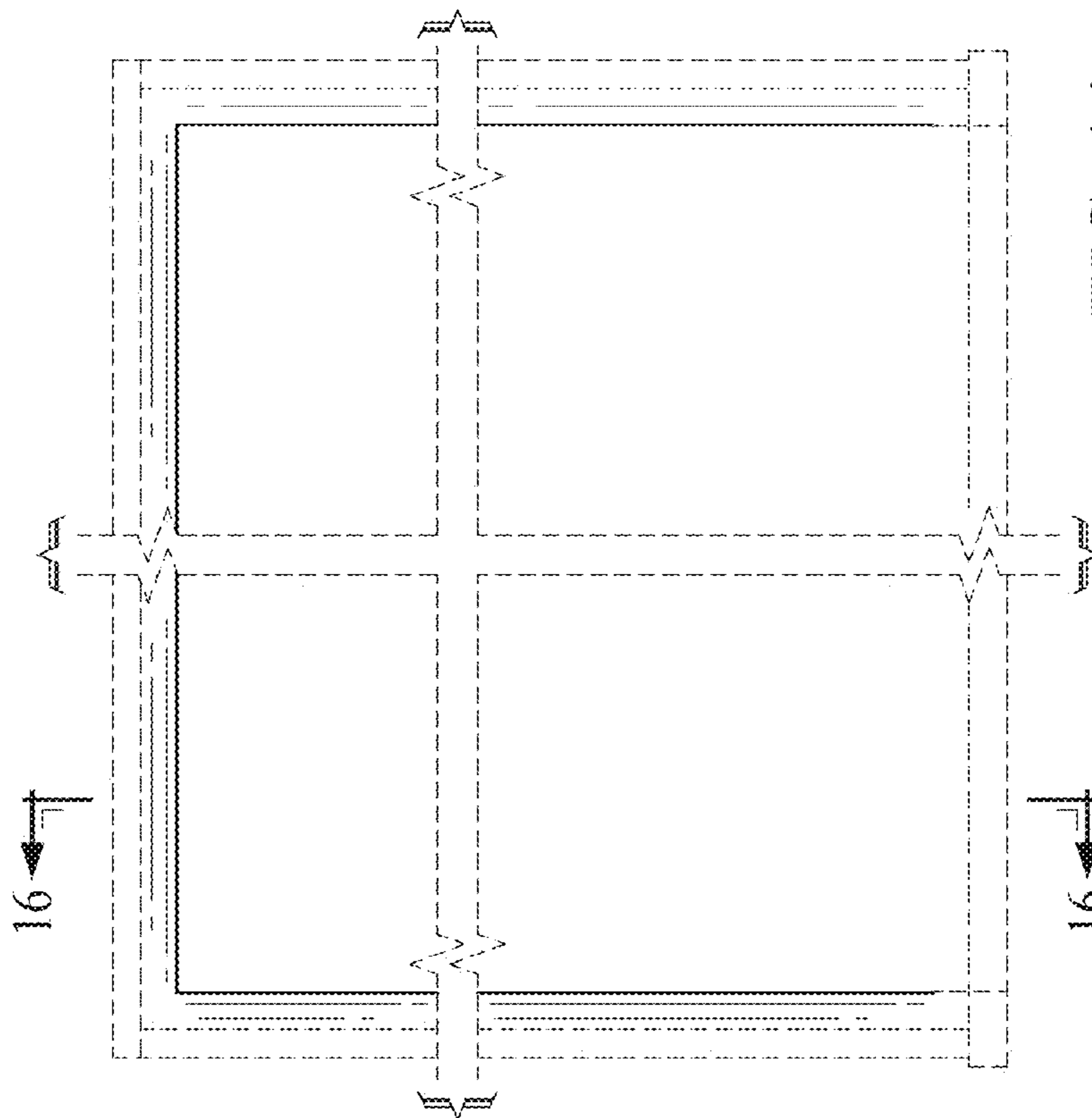


FIG. 14

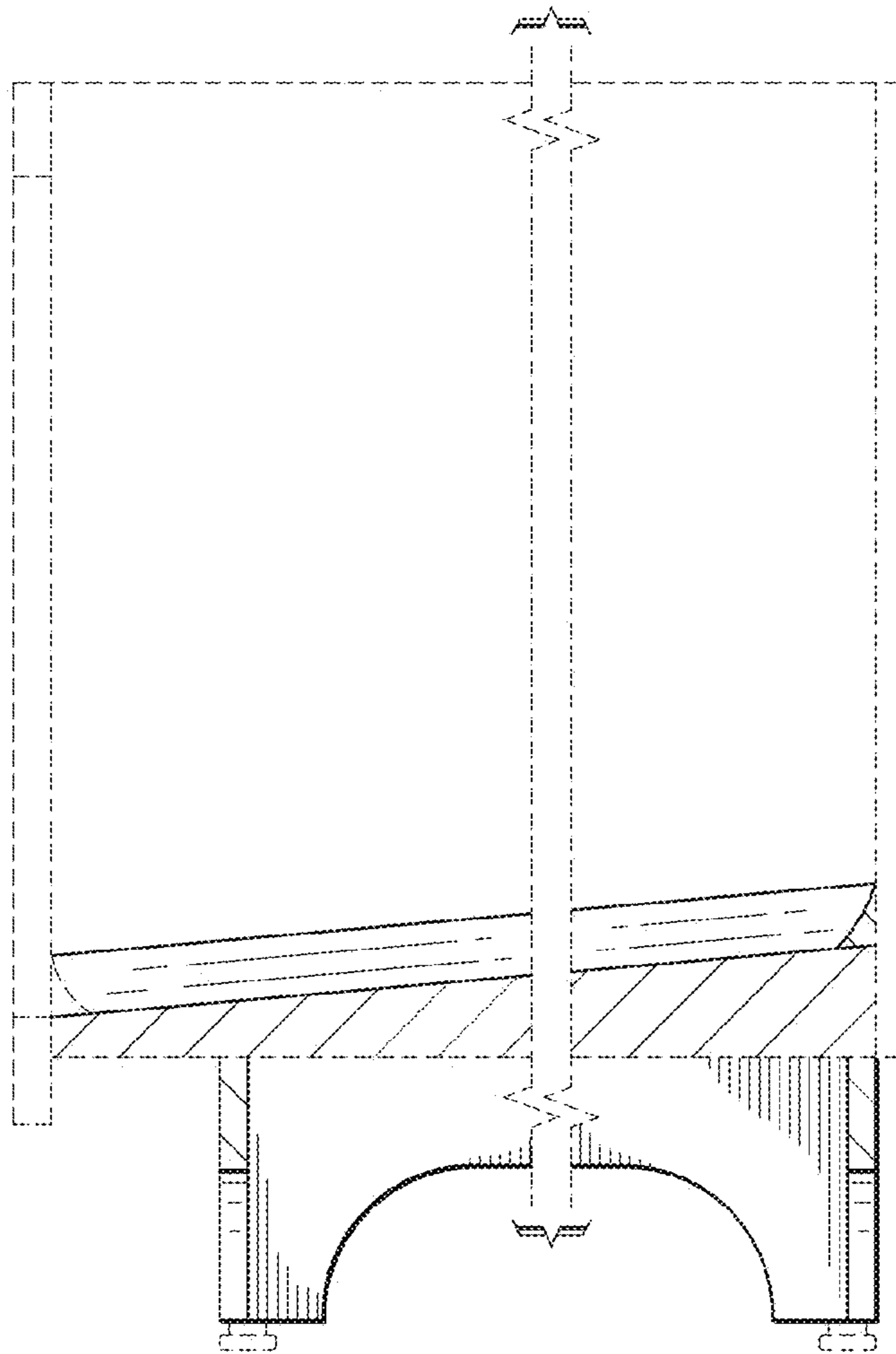


FIG. 16