



US00D752364S

(12) **United States Design Patent**  
**Alm**

(10) **Patent No.:** **US D752,364 S**  
(45) **Date of Patent:** **\*\* Mar. 29, 2016**

(54) **REMOTE CONTROL COVER**

(71) Applicant: **Keith Alm**, Mooresville, NC (US)

(72) Inventor: **Keith Alm**, Mooresville, NC (US)

(\*\*) Term: **14 Years**

(21) Appl. No.: **29/500,707**

(22) Filed: **Aug. 27, 2014**

(51) **LOC (10) Cl.** ..... **06-13**

(52) **U.S. Cl.**  
USPC ..... **D6/610**

(58) **Field of Classification Search**

USPC ..... D7/332, 334-337; D12/401-405

CPC ..... B26J 19/00; B26J 1/18; B26J 1/20;

B26J 1/22; B26J 1/24; B26J 1/26; B26J 1/28

See application file for complete search history.

(56) **References Cited**

U.S. PATENT DOCUMENTS

D355,302	S *	2/1995	Eva	.....	D3/218
D368,095	S *	3/1996	McCallister, III	.....	D14/218
D476,806	S *	7/2003	Sofo	.....	D3/218
D624,601	S *	9/2010	Grossman	.....	D14/218
8,144,915	B2	3/2012	Hankey et al.		
8,350,167	B2	1/2013	Prest et al.		
2004/0016658	A1 *	1/2004	Le	.....	H01H 9/0242 206/305
2009/0022432	A1 *	1/2009	Unda	.....	H04B 1/3888 383/67

\* cited by examiner

*Primary Examiner* — Katrina A Betton

(74) *Attorney, Agent, or Firm* — Hovey Williams LLP

(57) **CLAIM**

The ornamental design for a remote control cover, as shown and described.

**DESCRIPTION**

FIG. 1 is a top right front isometric view of an embodiment of a remote control cover according to my new design;

FIG. 2 is a bottom left rear isometric view of the remote control cover of FIG. 1;

FIG. 3 is a top plan view of the remote control cover of FIGS. 1-2;

FIG. 4 is a front elevational view of the remote control cover of FIGS. 1-3;

FIG. 5 is a bottom plan view of the remote control cover of FIGS. 1-4;

FIG. 6 is a rear elevational view of the remote control cover of FIGS. 1-5;

FIG. 7 is a left side elevational view of the remote control cover of FIGS. 1-6;

FIG. 8 is a right side elevational view of the remote control cover of FIGS. 1-7;

FIG. 9 is a top right front isometric view of an additional embodiment of a remote control cover according to my new design;

FIG. 10 is a bottom left rear isometric view of the remote control cover of FIG. 9;

FIG. 11 is a top plan view of the remote control cover of FIGS. 9-10;

FIG. 12 is a front elevational view of the remote control cover of FIGS. 9-11;

FIG. 13 is a bottom plan view of the remote control cover of FIGS. 9-12;

FIG. 14 is a rear elevational view of the remote control cover of FIGS. 9-13;

FIG. 15 is a left side elevational view of the remote control cover of FIGS. 9-14;

FIG. 16 is a right side elevational view of the remote control cover of FIGS. 9-15;

FIG. 17 is a top right front isometric view of still another embodiment of a remote control cover according to my new design;

FIG. 18 is a bottom left rear isometric view of the remote control cover of FIG. 17;

FIG. 19 is a top plan view of the remote control cover of FIGS. 17-18;

FIG. 20 is a front elevational view of the remote control cover of FIGS. 17-19;

FIG. 21 is a bottom plan view of the remote control cover of FIGS. 17-20;

FIG. 22 is a rear elevational view of the remote control cover of FIGS. 17-21;

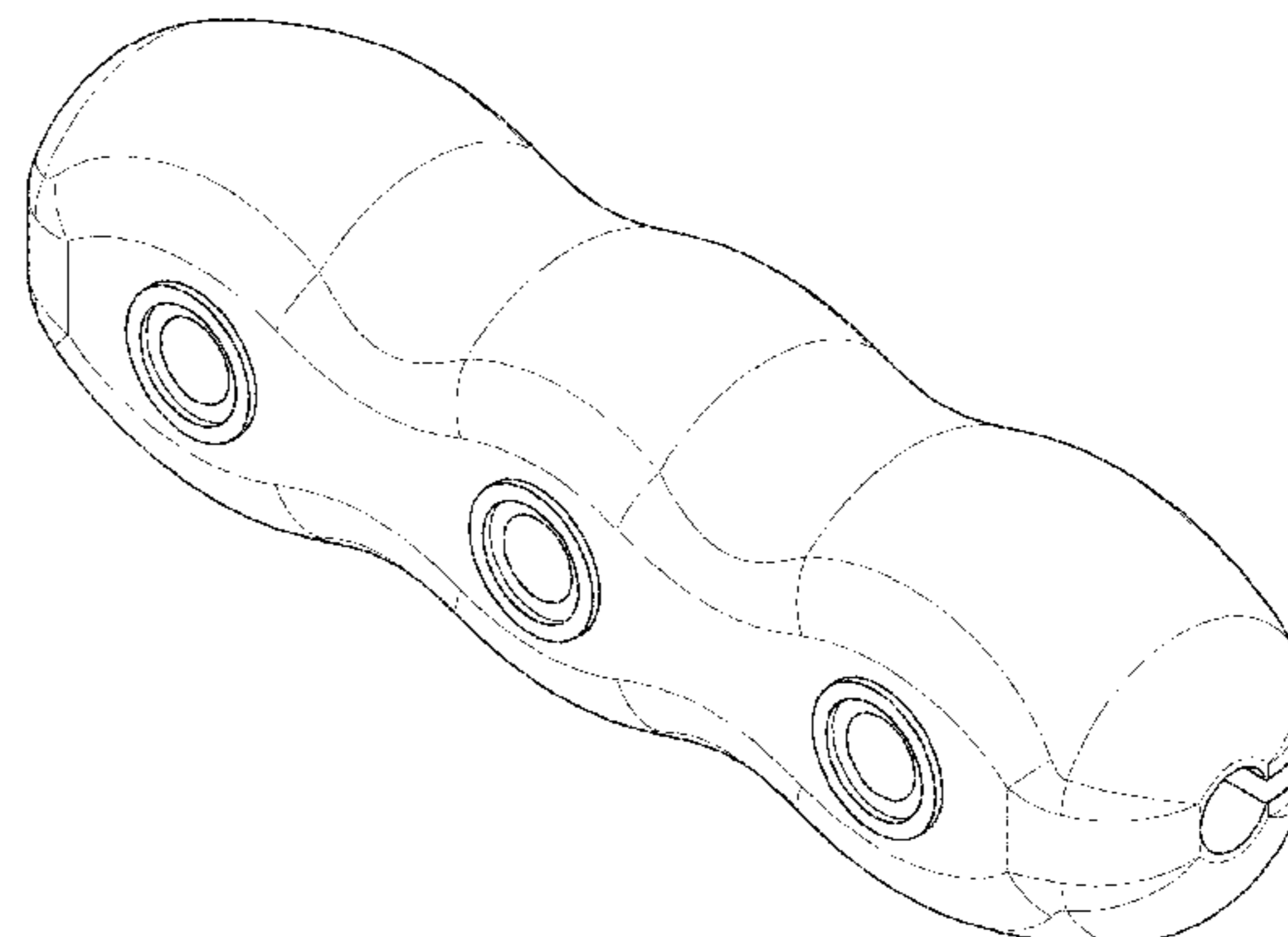
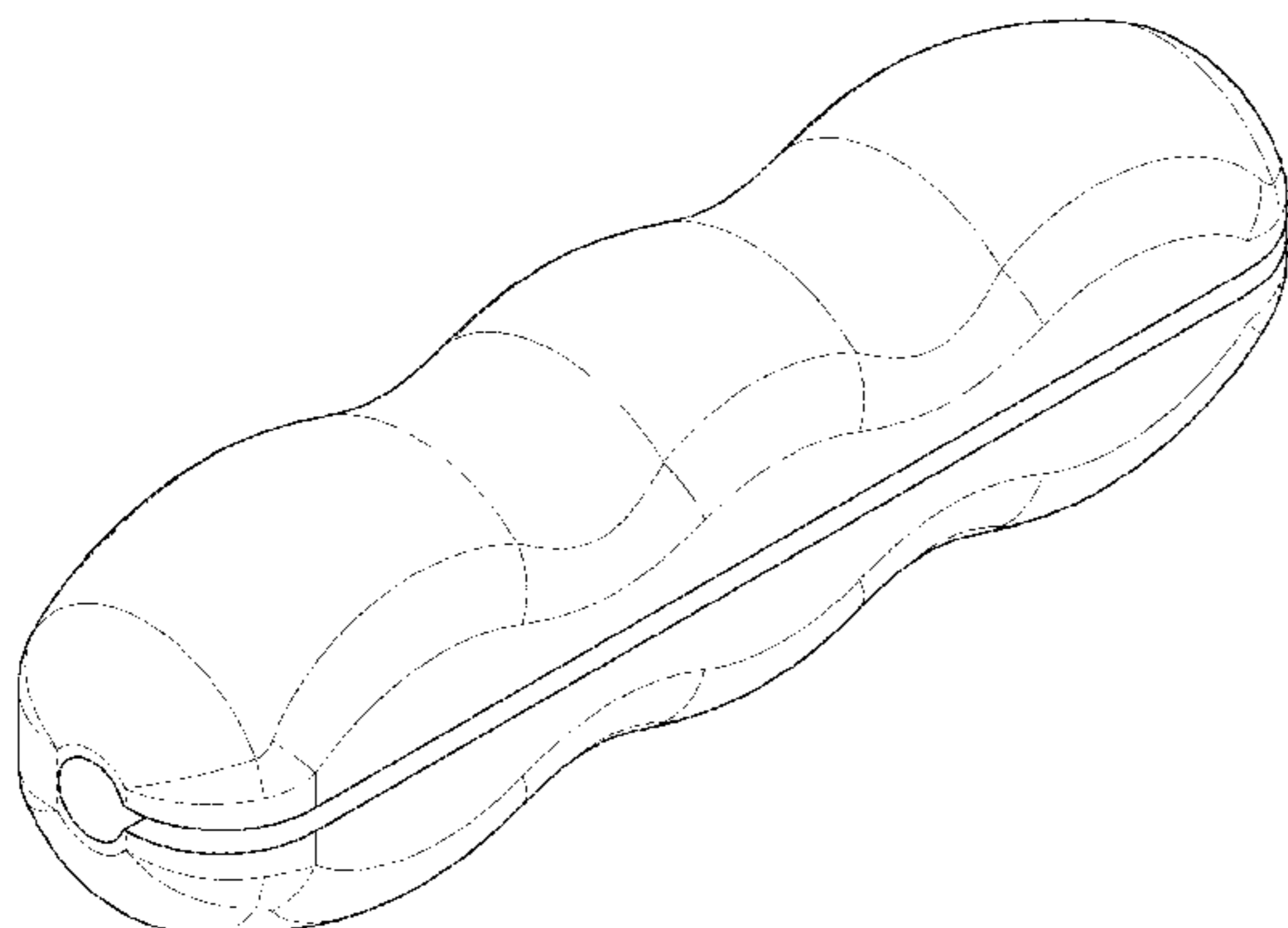


FIG. 23 is a left side elevational view of the remote control cover of FIGS. 17-22;

FIG. 24 is a right side elevational view of the remote control cover of FIGS. 17-23;

FIG. 25 is a top right front isometric view of yet another embodiment of a remote control cover according to my new design;

FIG. 26 is a bottom left rear isometric view of the remote control cover of FIG. 25;

FIG. 27 is a top plan view of the remote control cover of FIGS. 25-26;

FIG. 28 is a front elevational view of the remote control cover of FIGS. 25-27;

FIG. 29 is a bottom plan view of the remote control cover of FIGS. 25-28;

FIG. 30 is a rear elevational view of the remote control cover of FIGS. 25-29;

FIG. 31 is a left side elevational view of the remote control cover of FIGS. 25-30;

FIG. 32 is a right side elevational view of the remote control cover of FIGS. 25-31;

FIG. 33 is a top right front perspective cross-section view of the remote control cover taken along the line 33-33 of FIG. 32;

FIG. 34 is a top left rear perspective cross-section view of the remote control cover taken along the line 33-33 of FIG. 32;

FIG. 35 is a top plan cross-section view of the remote control cover taken along the line 33-33 of FIG. 32;

FIG. 36 is a bottom right front perspective cross-section view of the remote control cover taken along the line 36-36 of FIG. 32;

FIG. 37 is a bottom left rear perspective cross-section view of the remote control cover taken along the line 36-36 of FIG. 32;

FIG. 38 is a bottom plan cross-section view of the remote control cover taken along the line 36-36 of FIG. 32;

FIG. 39 is a top right front perspective cross-section view of the remote control cover taken along the line 39-39 of FIG. 32;

FIG. 40 is a bottom right front perspective cross-section view of the remote control cover taken along the line 39-39 of FIG. 32;

FIG. 41 is a front elevational cross-section view of the remote control cover taken along the line 39-39 of FIG. 32;

FIG. 42 is a top right rear perspective cross-section view of the remote control cover taken along the line 42-42 of FIG. 32;

FIG. 43 is a bottom right rear perspective cross-section view of the remote control cover taken along the line 42-42 of FIG. 32; and,

FIG. 44 is a rear elevational cross-section view of the remote control cover taken along the line 42-42 of FIG. 32.

The relatively thin lines are included to illustrate contour and not surface ornamentation. The broken lines shown in the various Figures illustrate portions of the remote control cover that form no part of the claimed design.

**1 Claim, 16 Drawing Sheets**

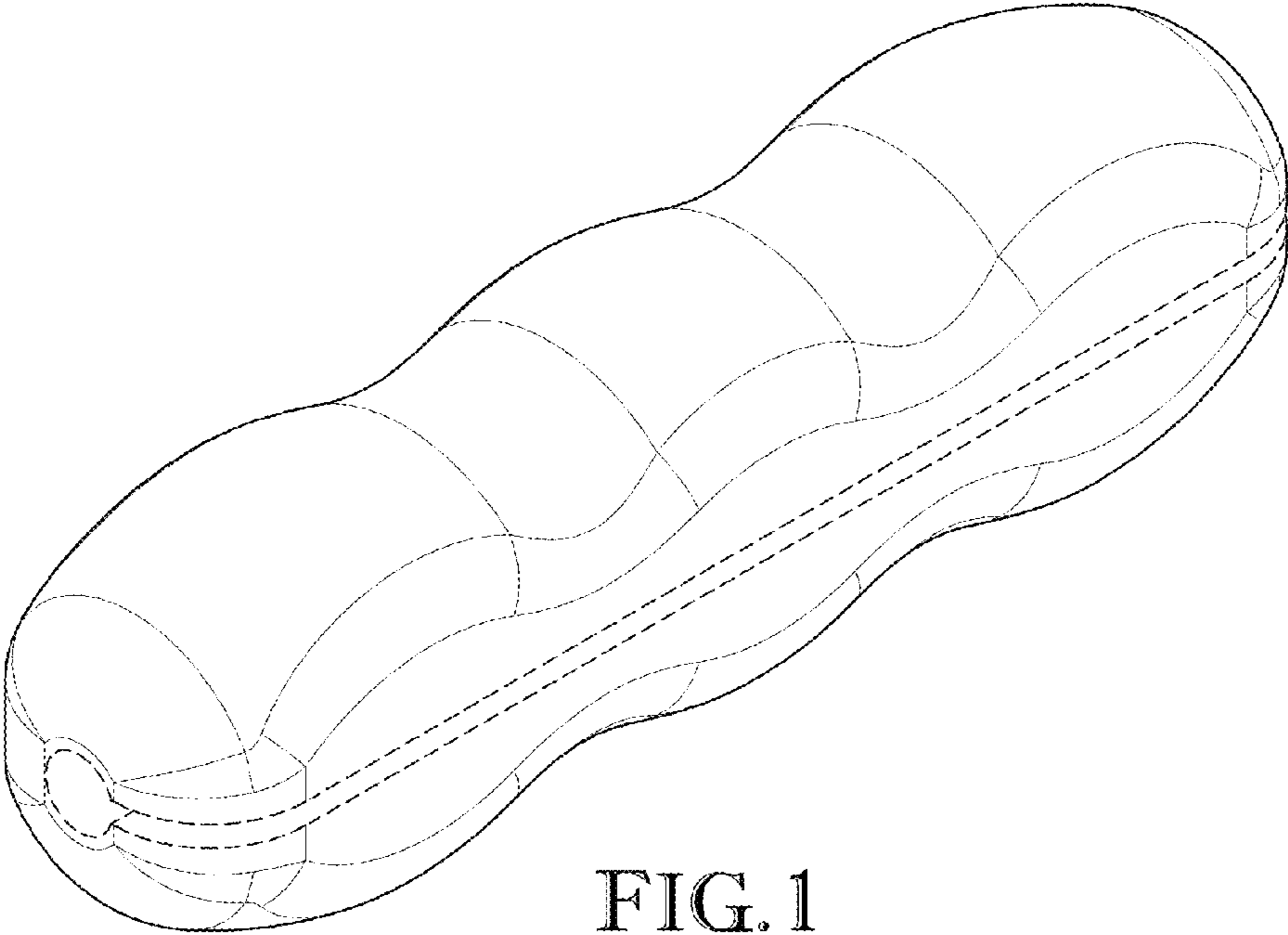


FIG. 1

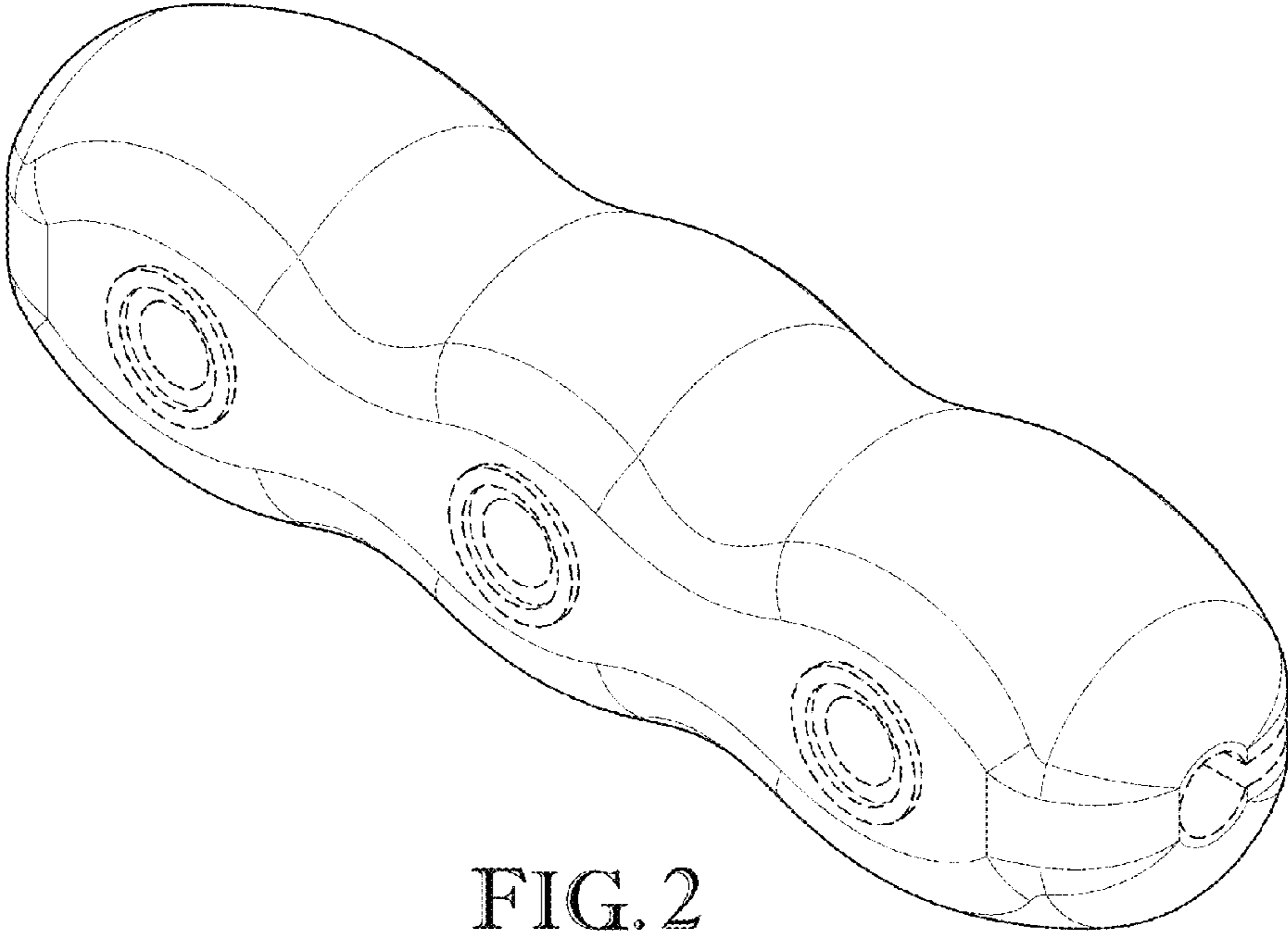


FIG. 2

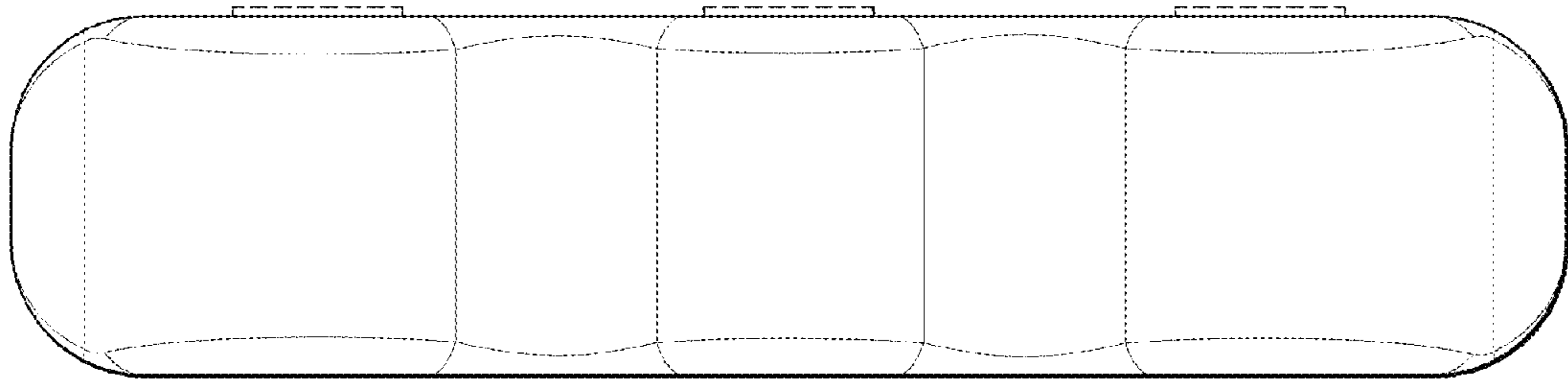


FIG. 3

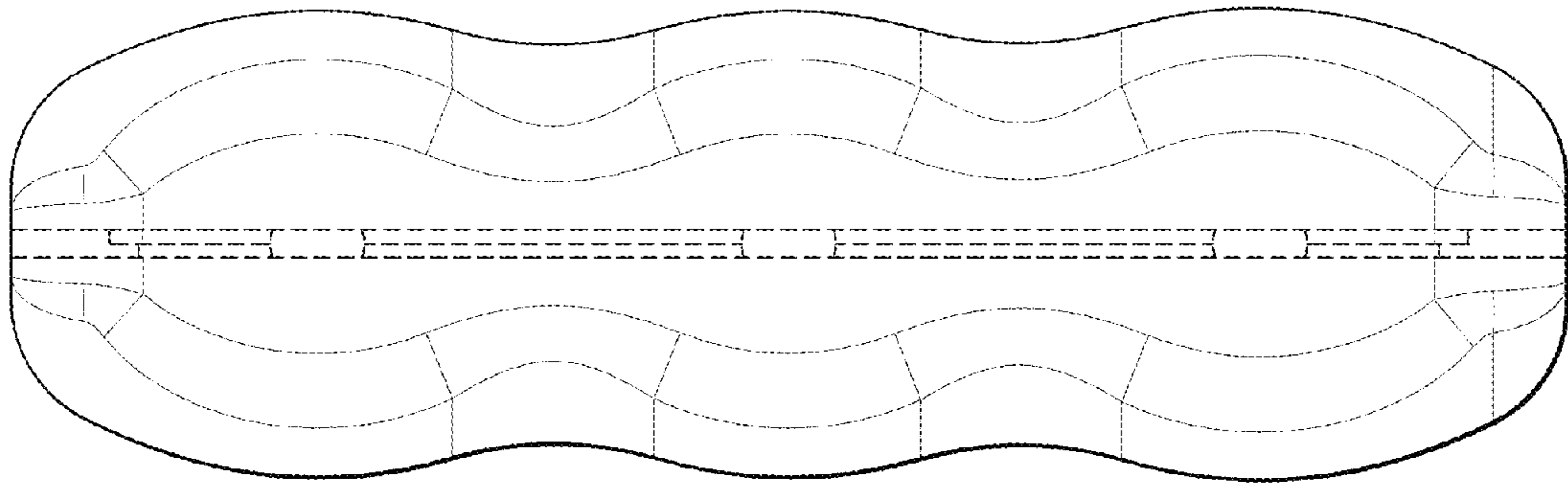


FIG. 4

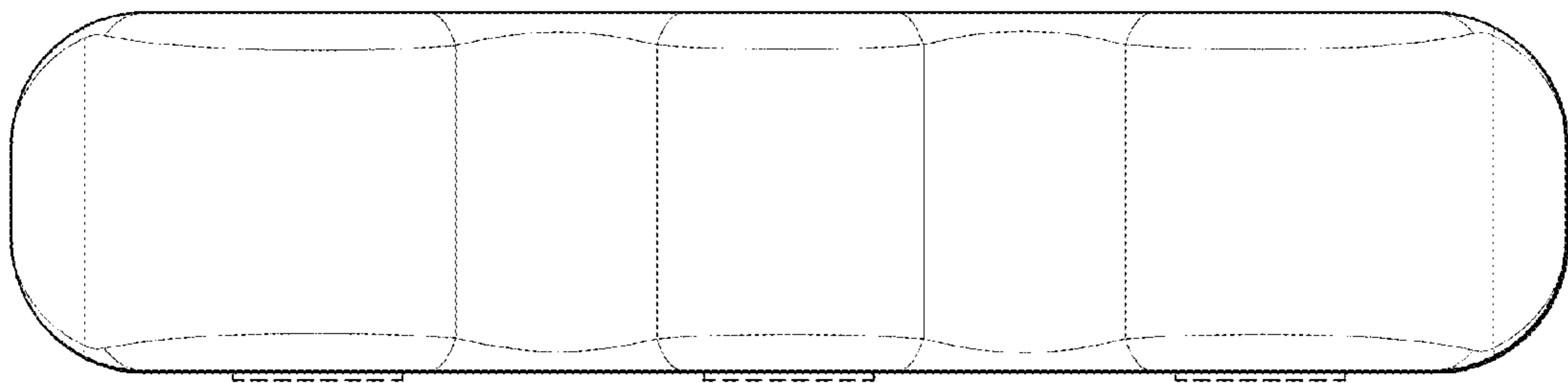


FIG. 5

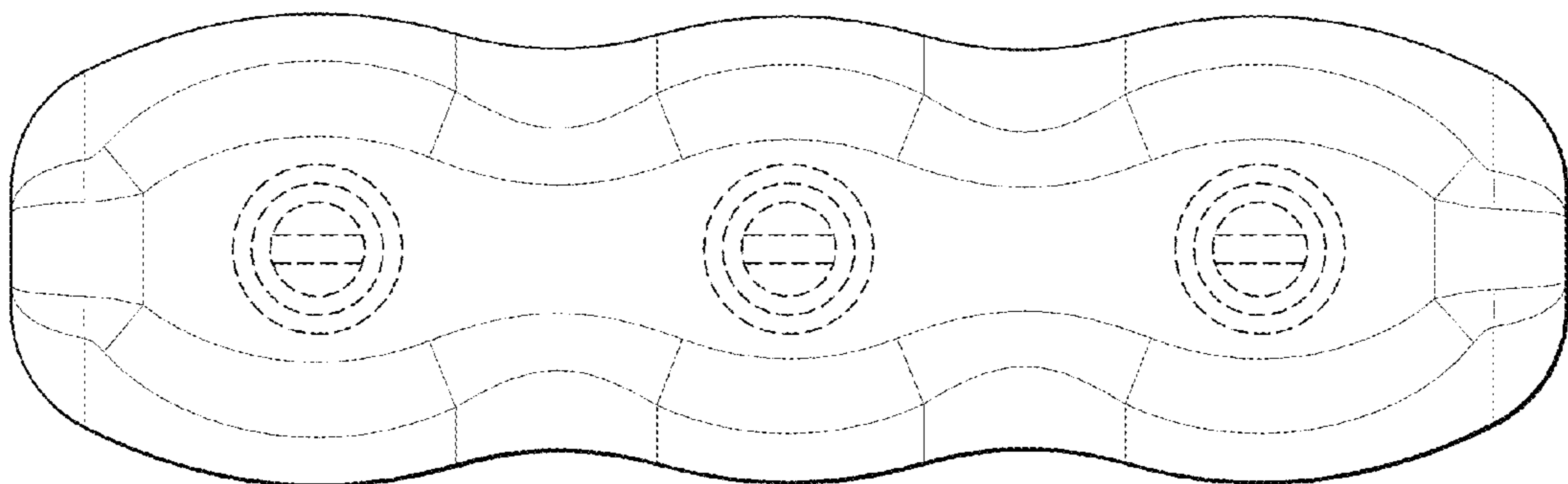


FIG. 6

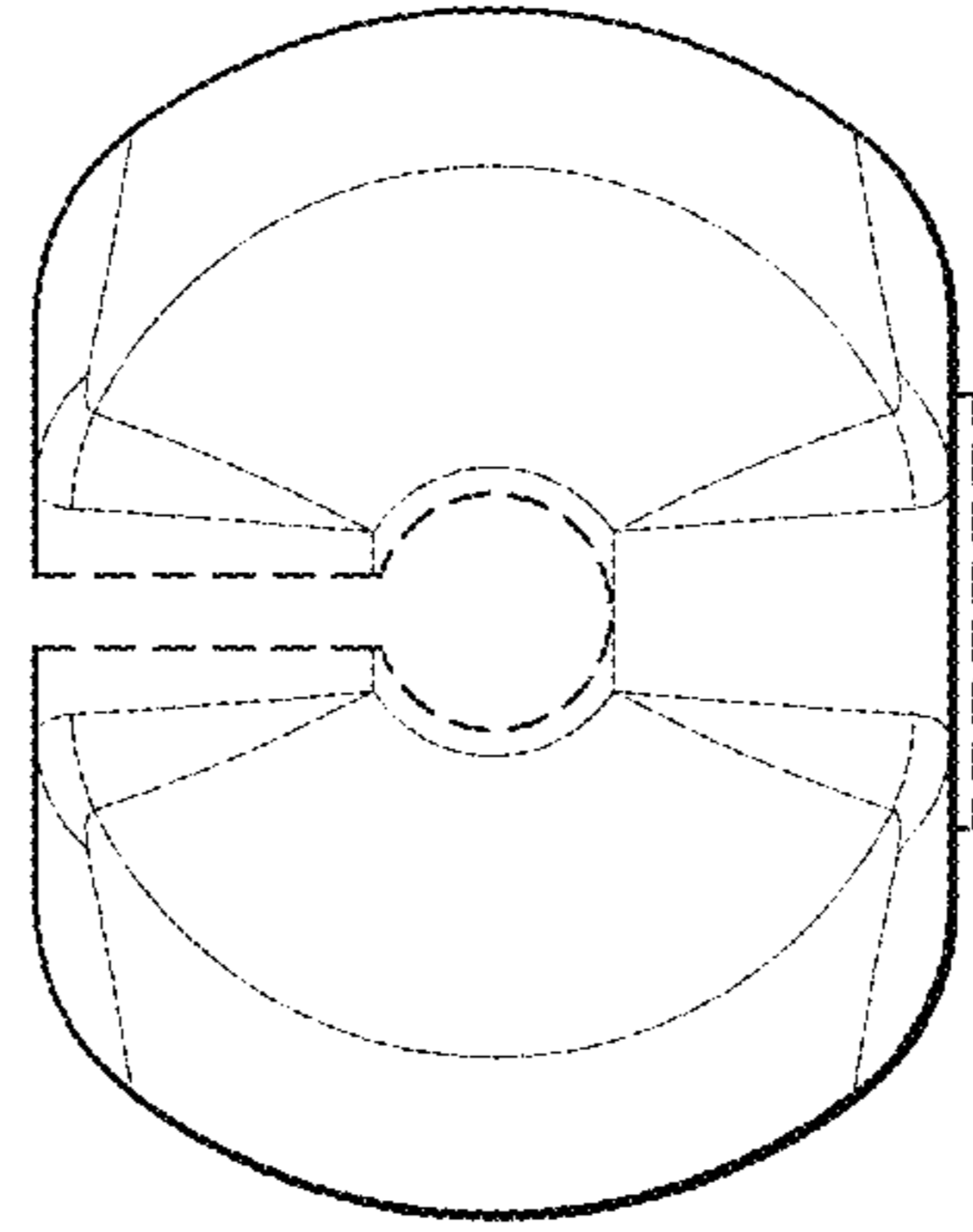


FIG. 7

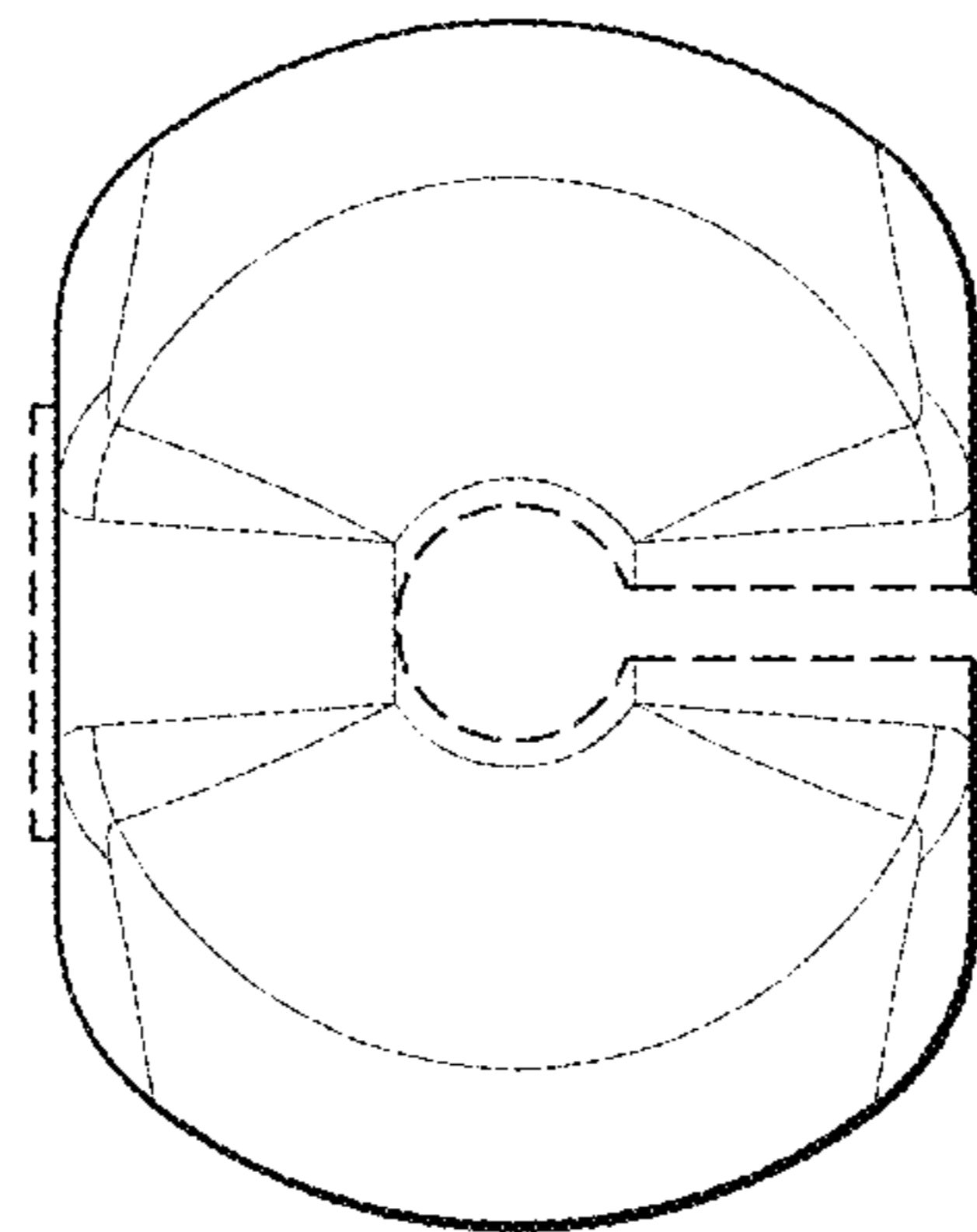


FIG. 8

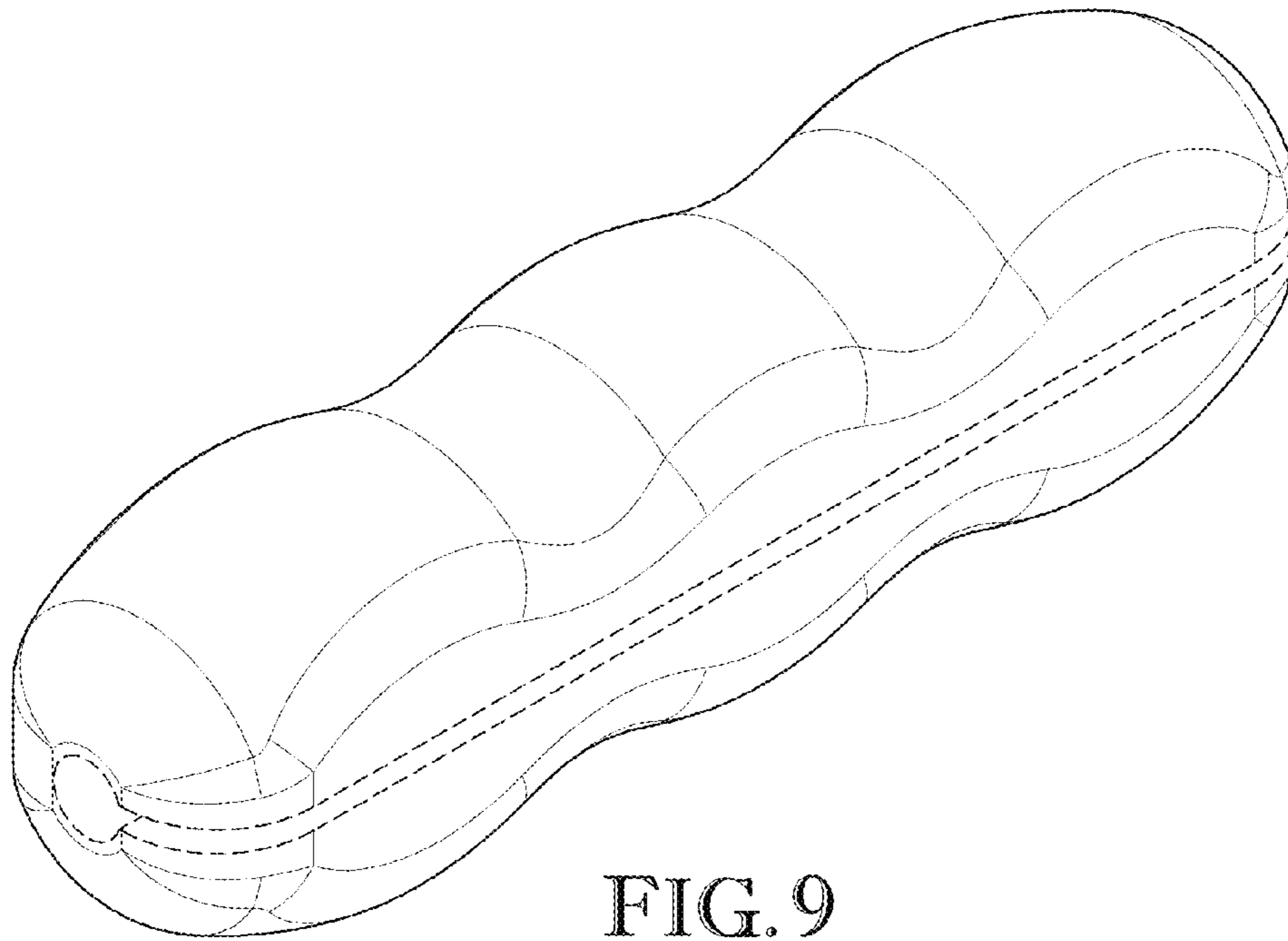


FIG. 9

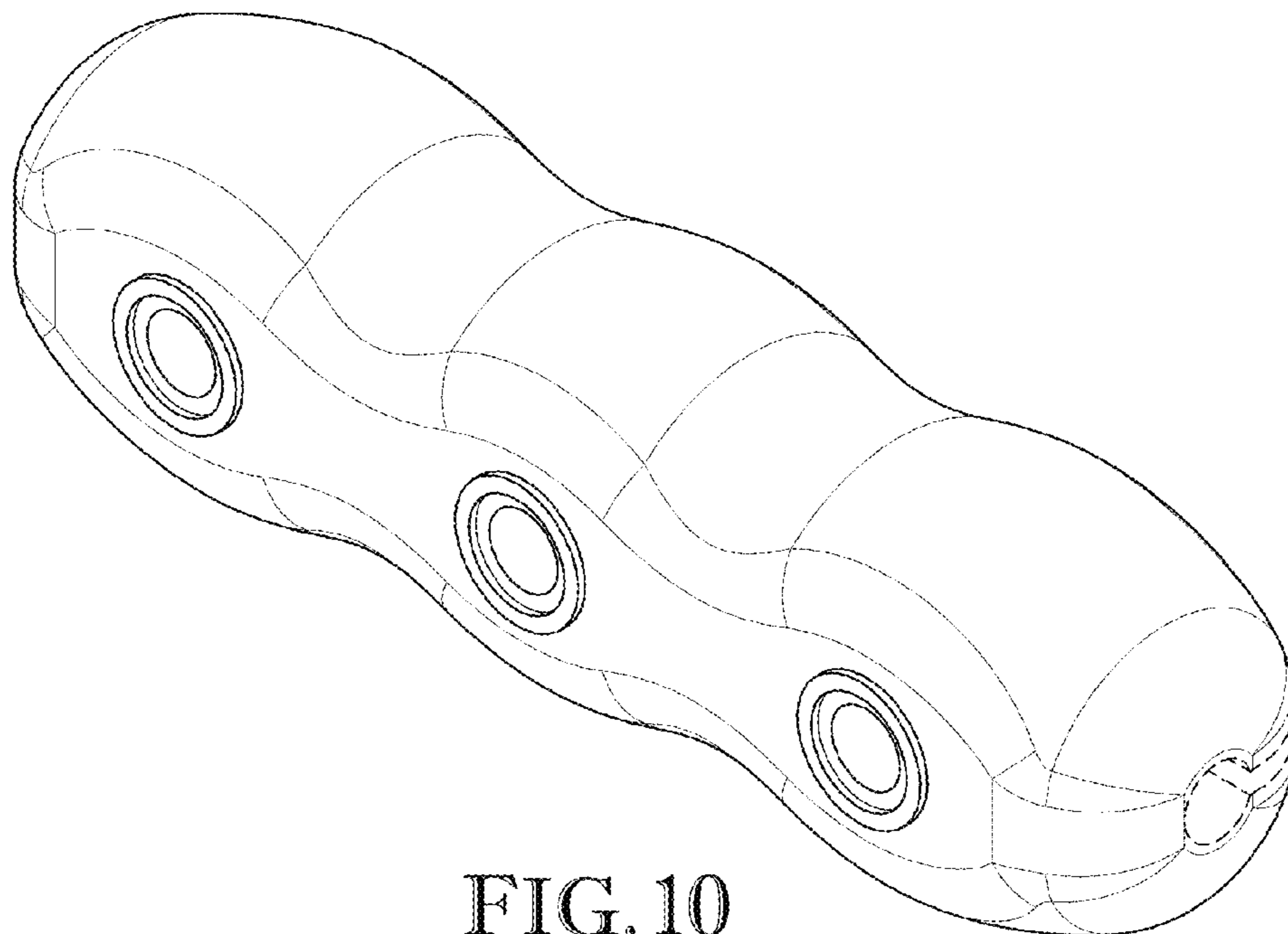


FIG. 10

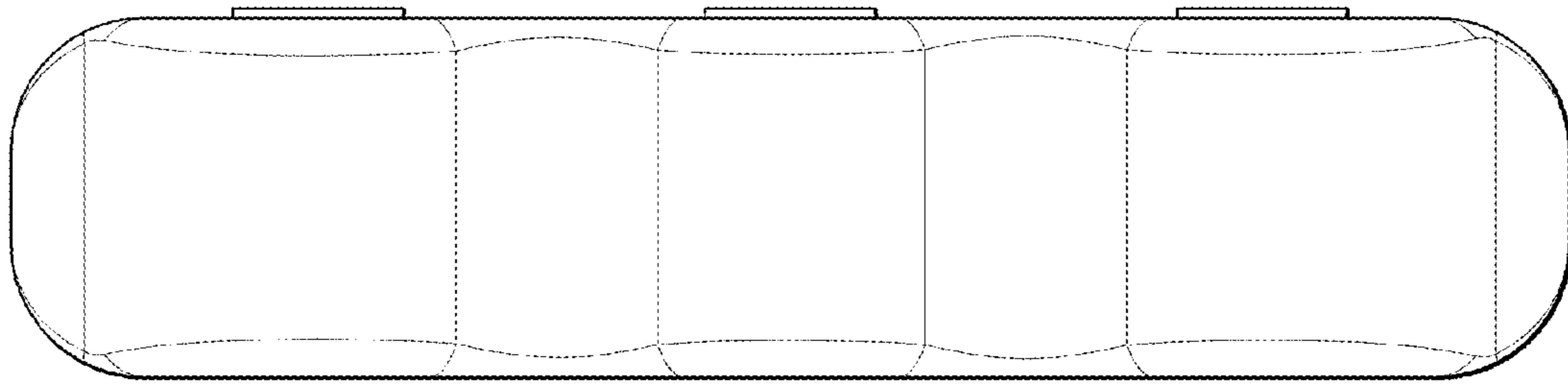


FIG. 11

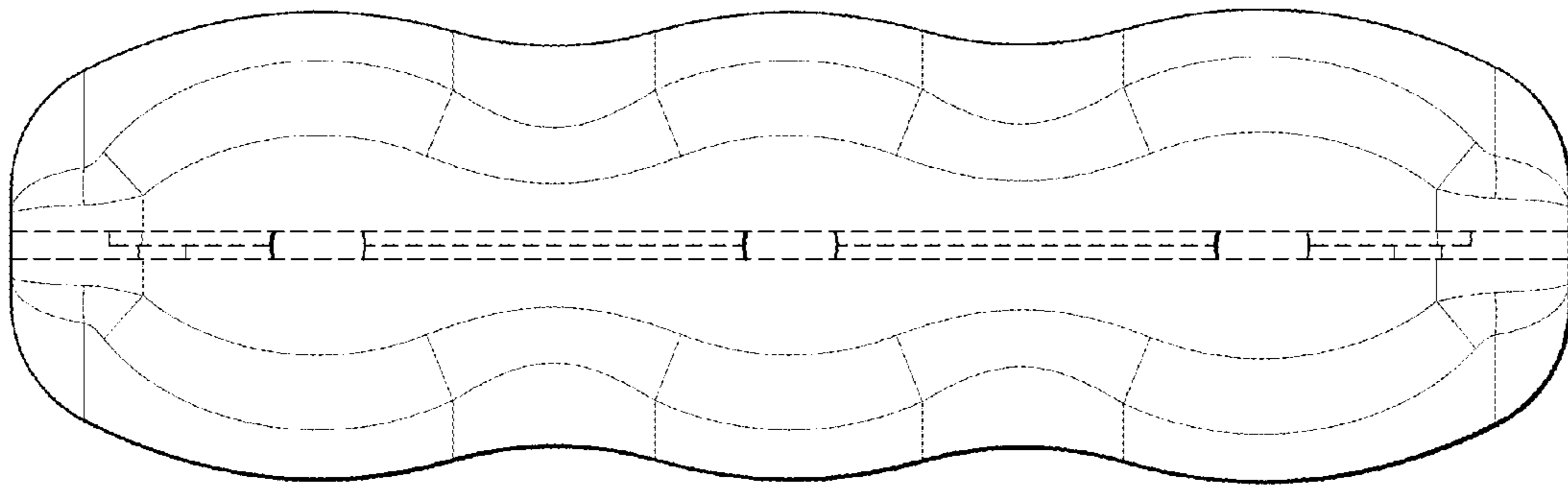


FIG. 12

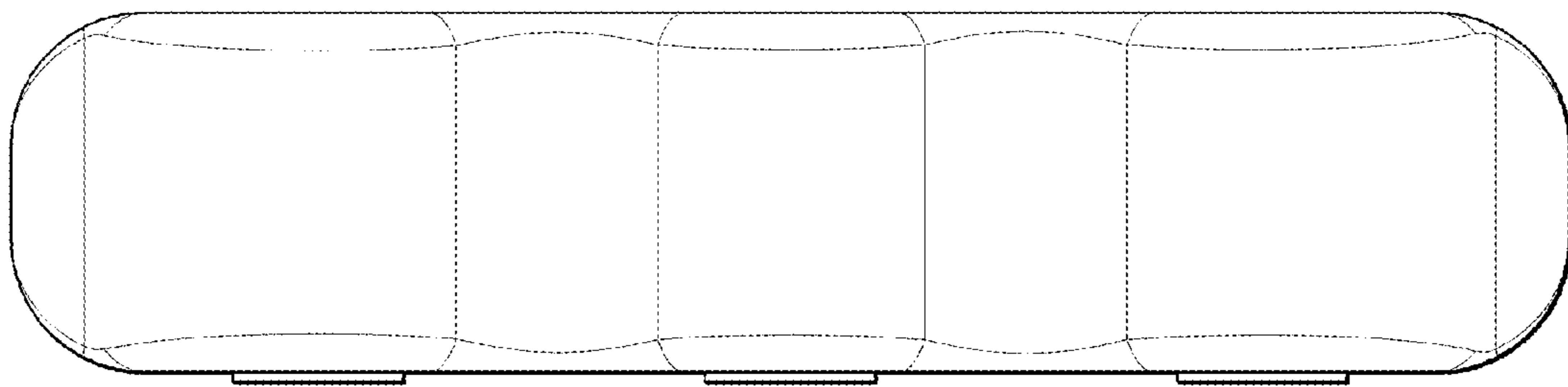


FIG. 13

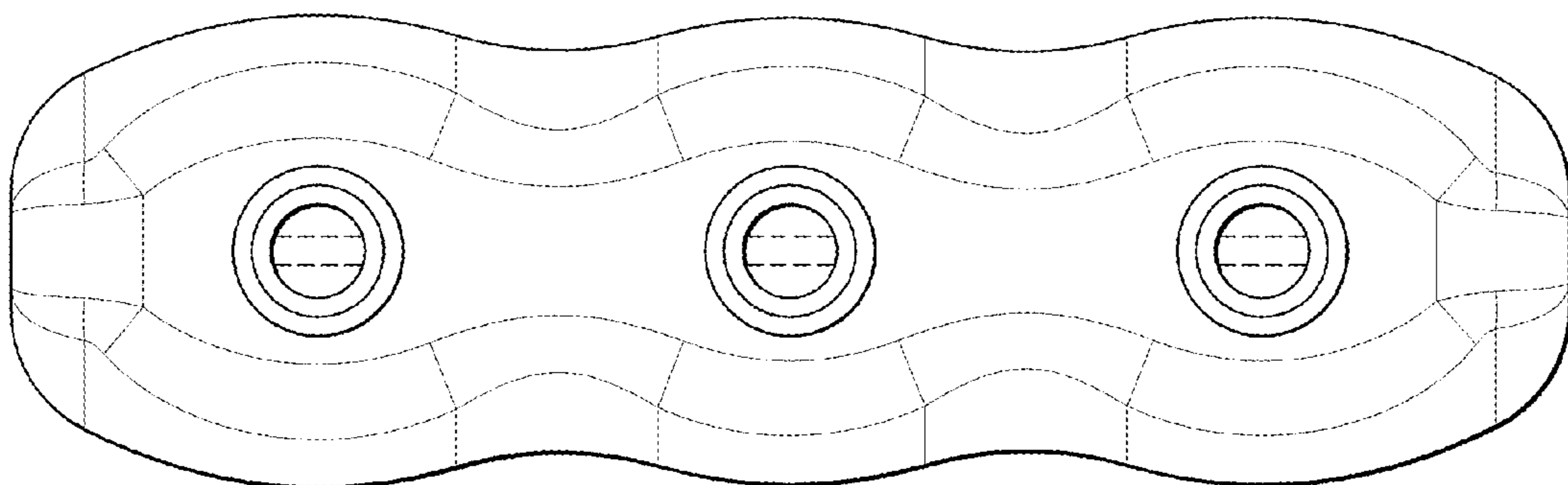


FIG. 14

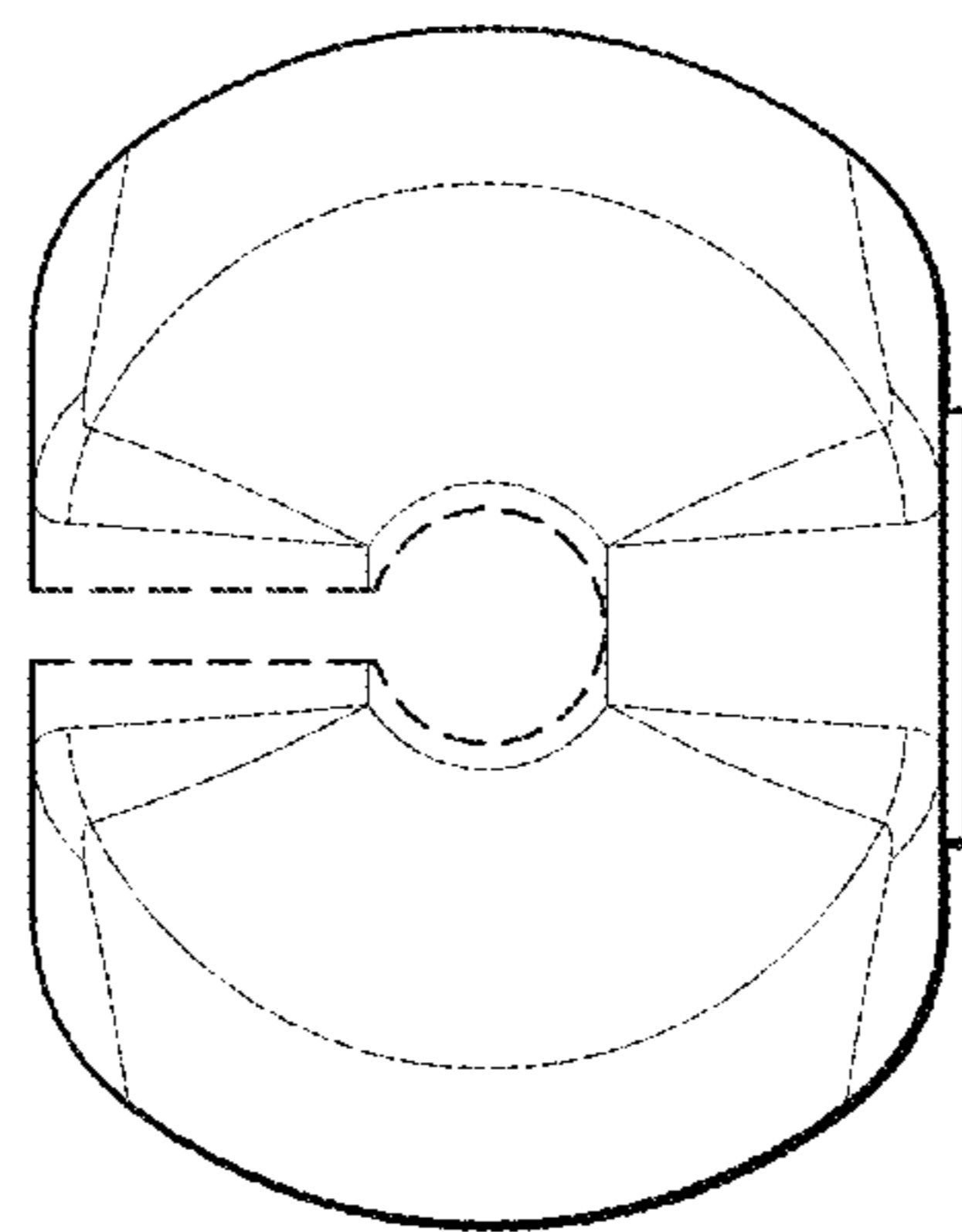


FIG. 15

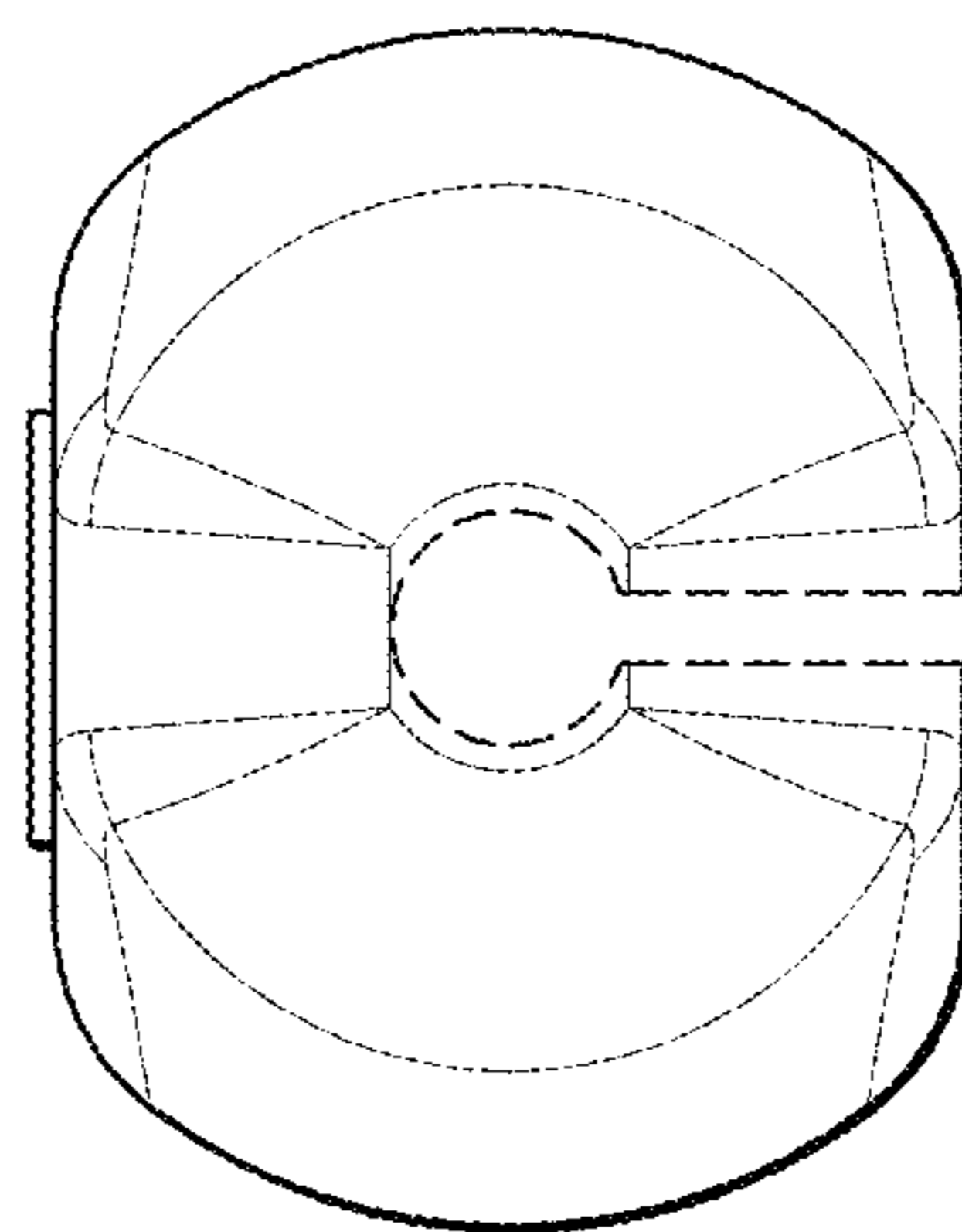


FIG. 16



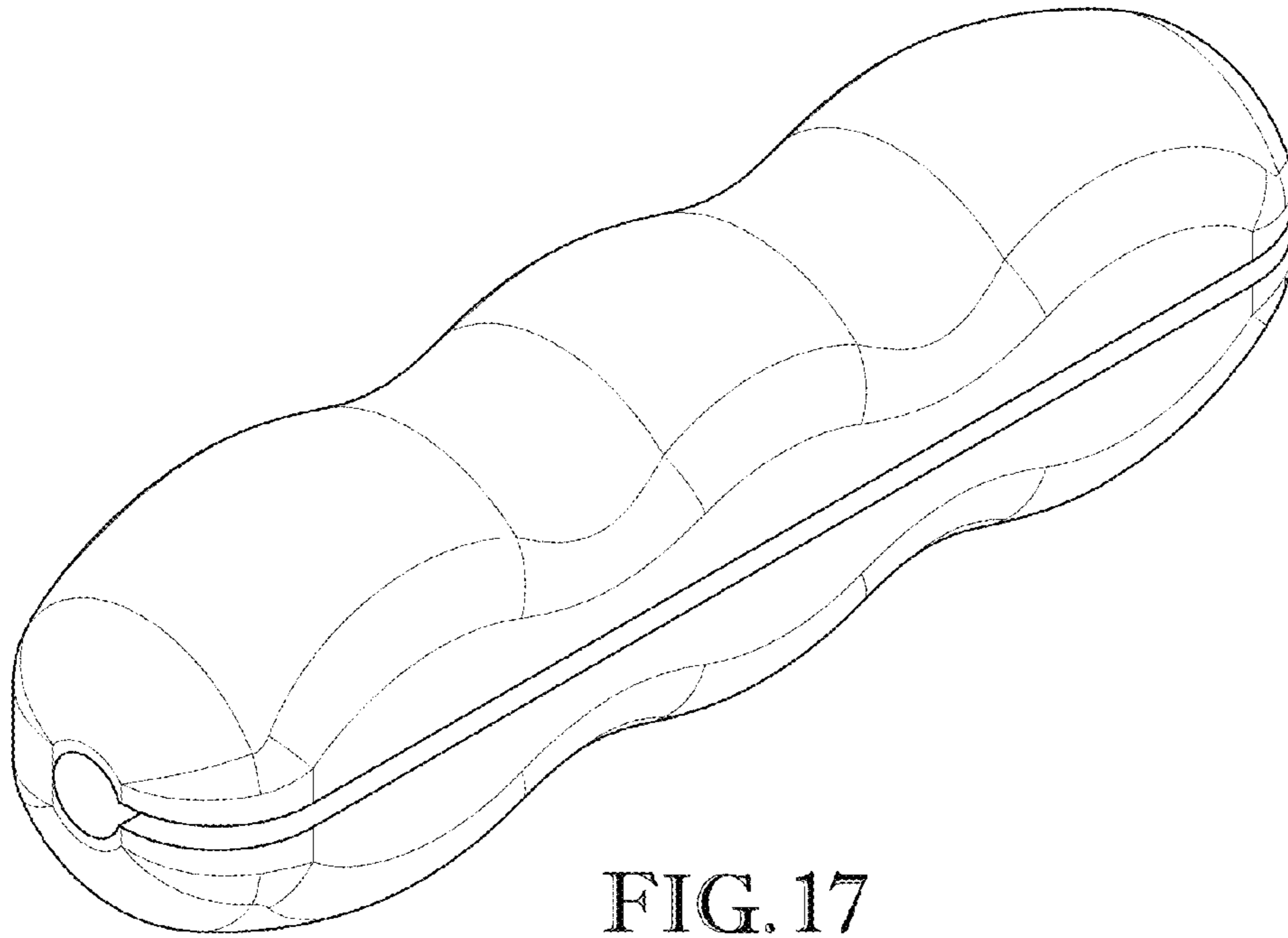


FIG. 17

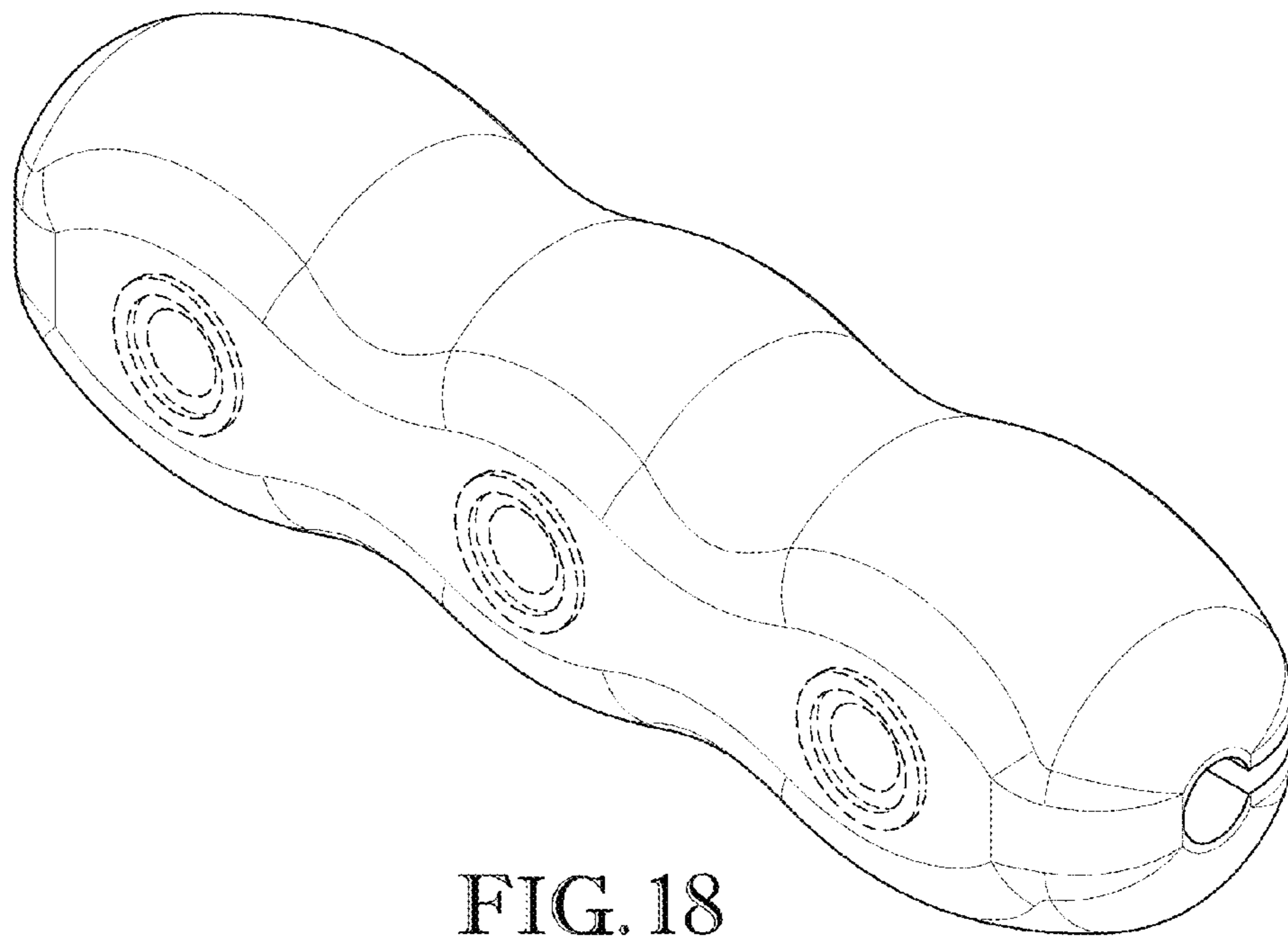


FIG. 18

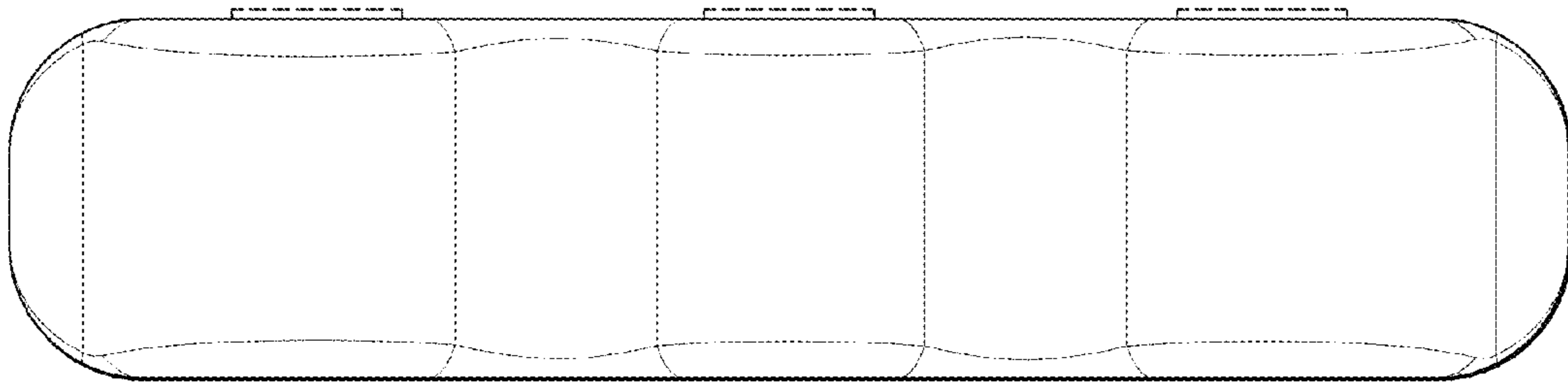


FIG. 19

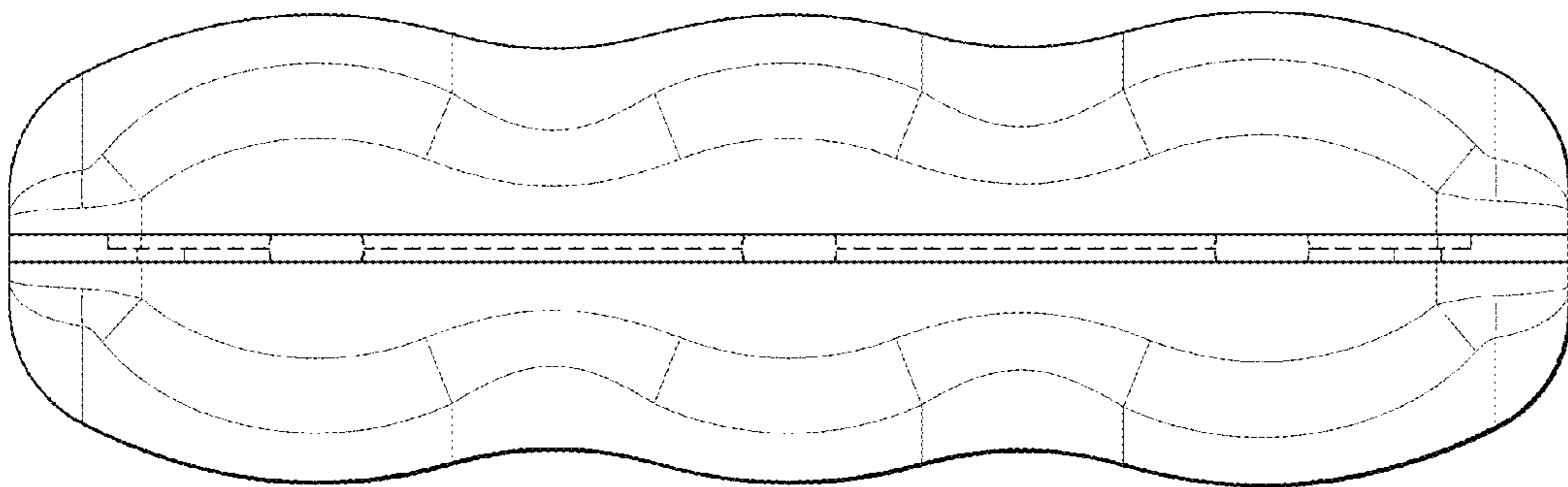


FIG. 20

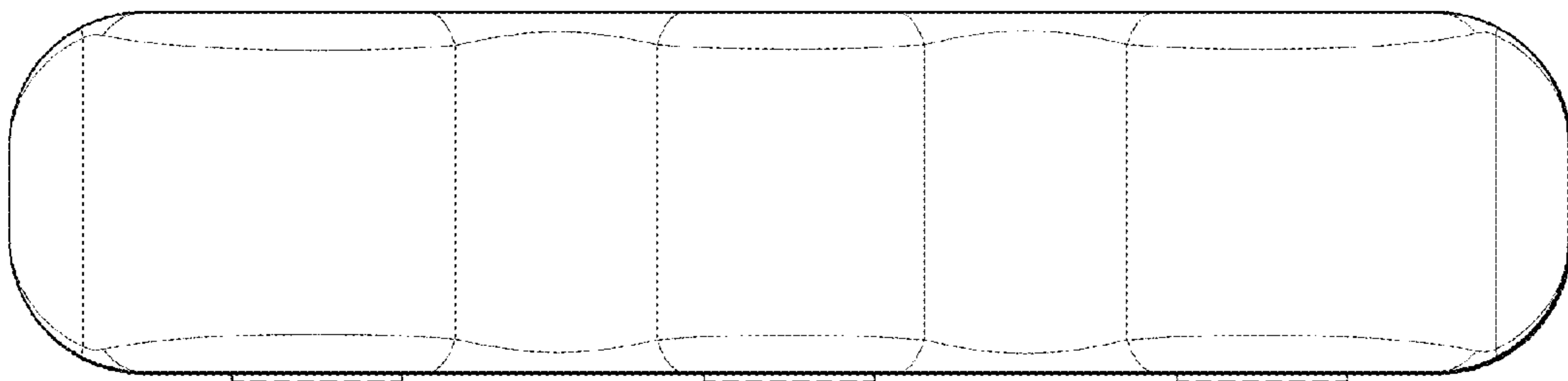


FIG. 21

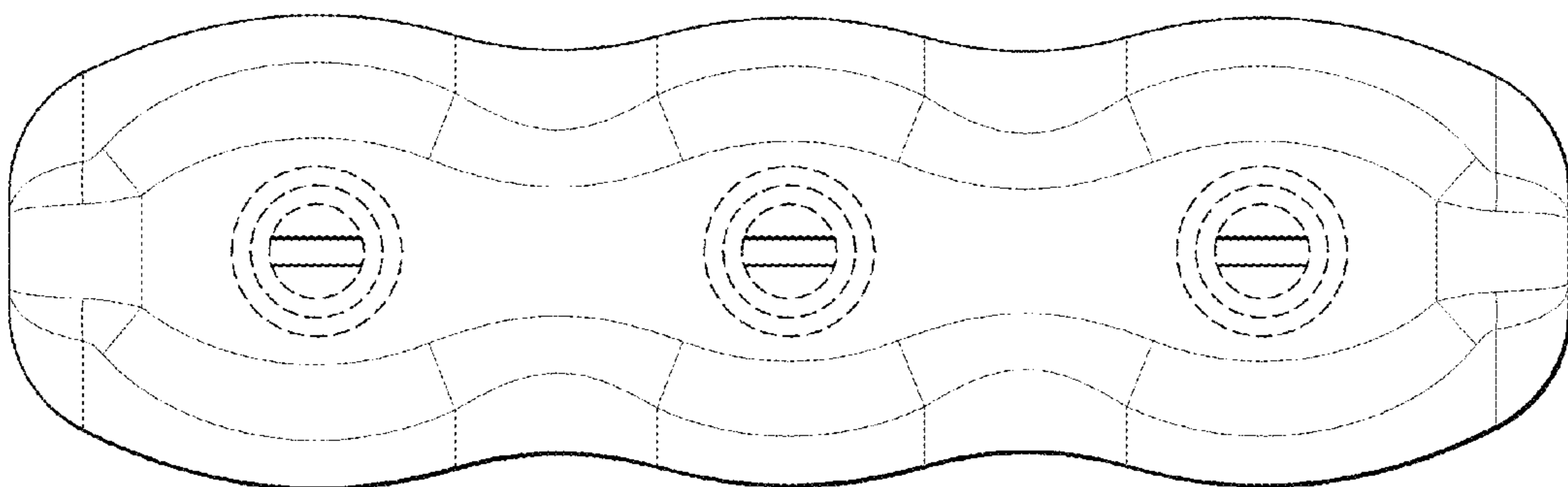


FIG. 22

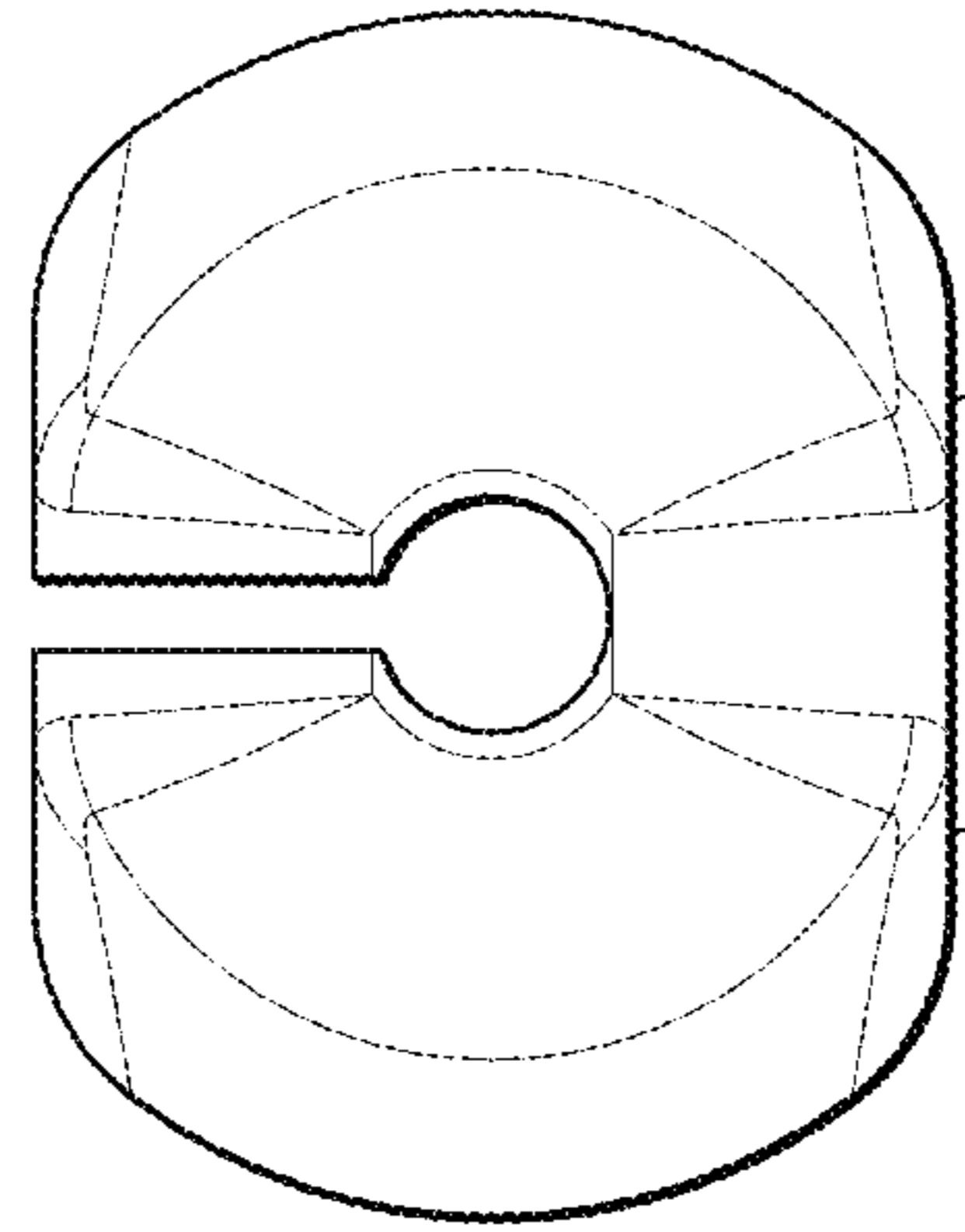


FIG. 23

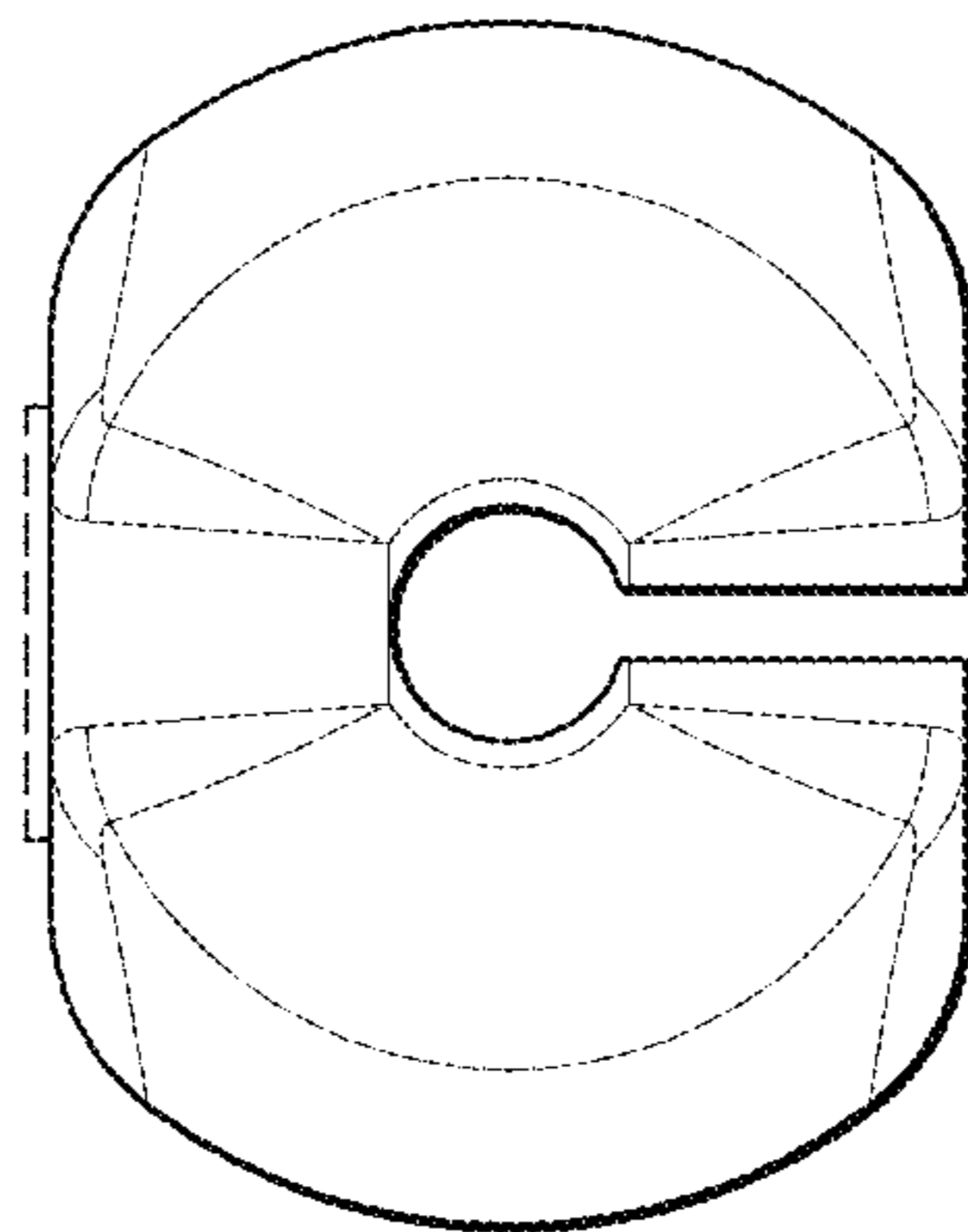


FIG. 24

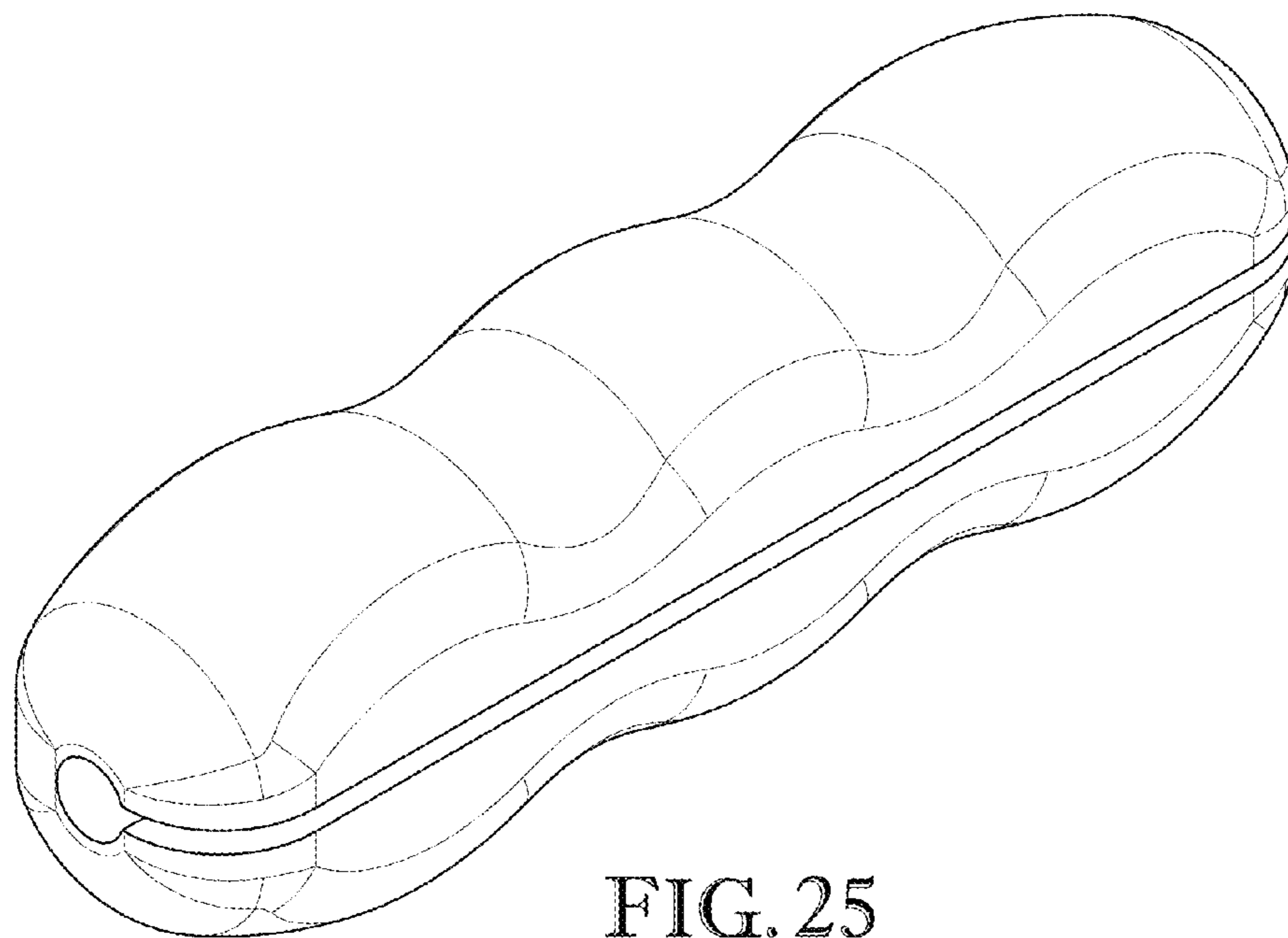


FIG. 25

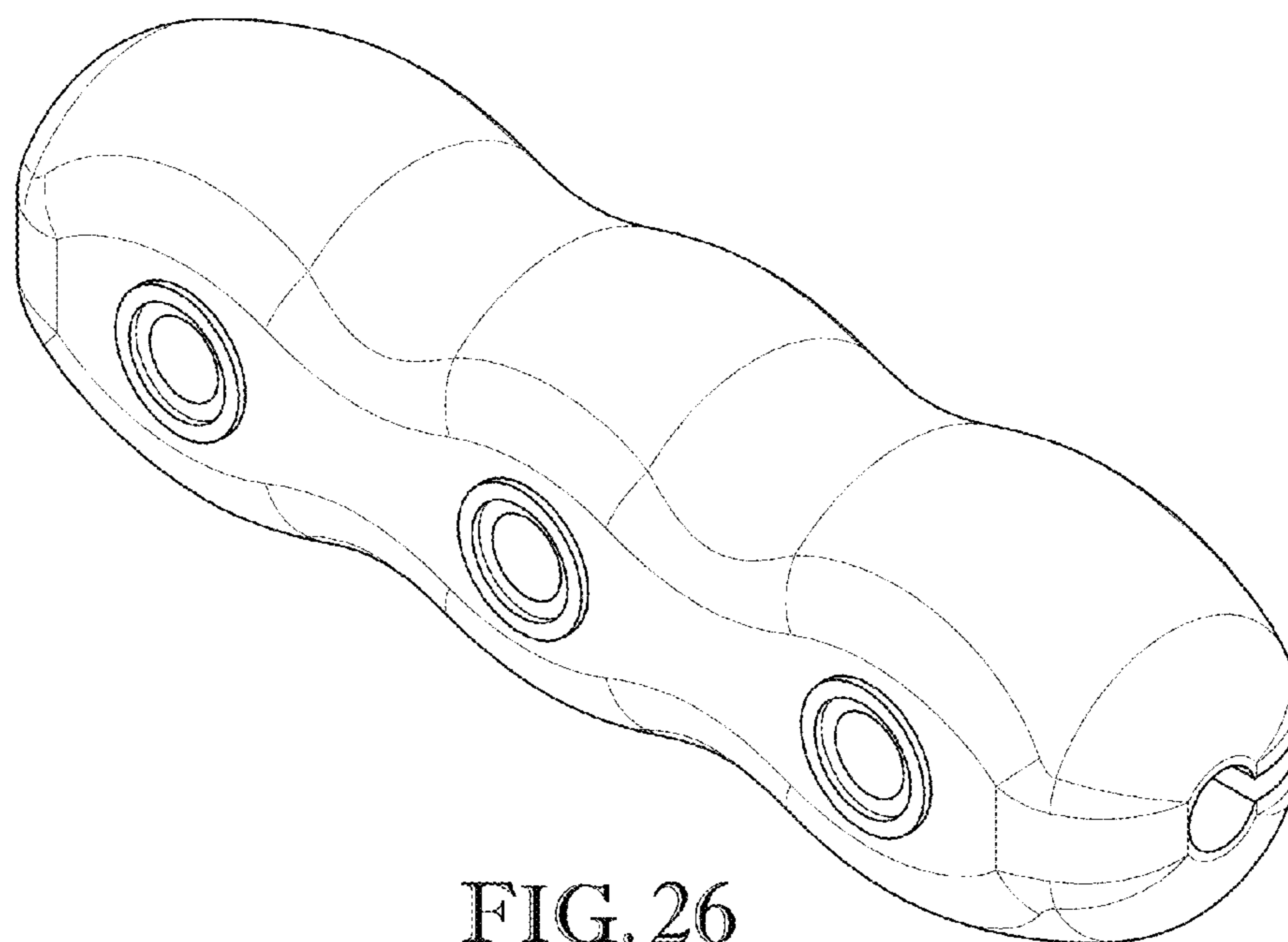


FIG. 26

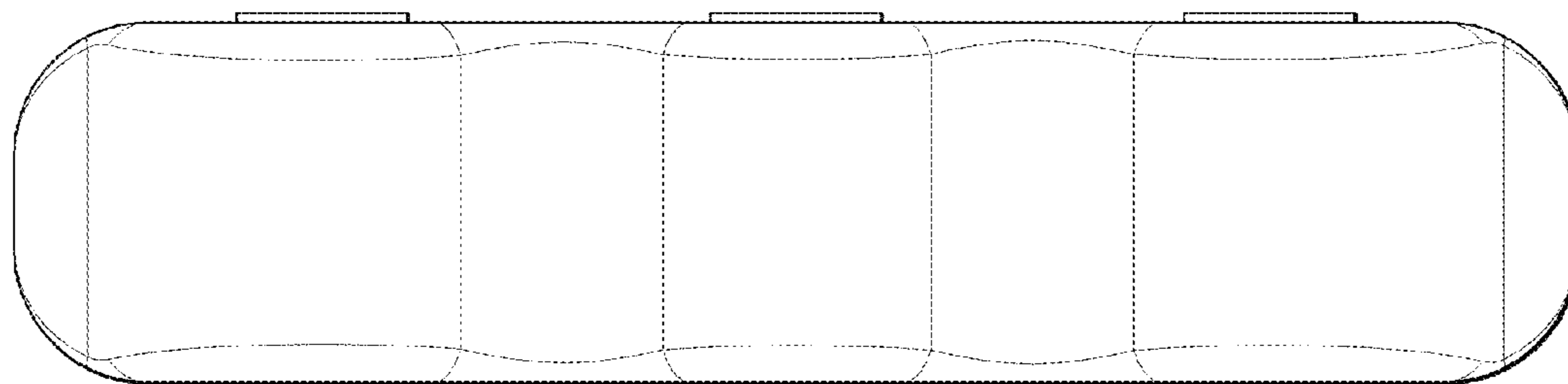


FIG. 27

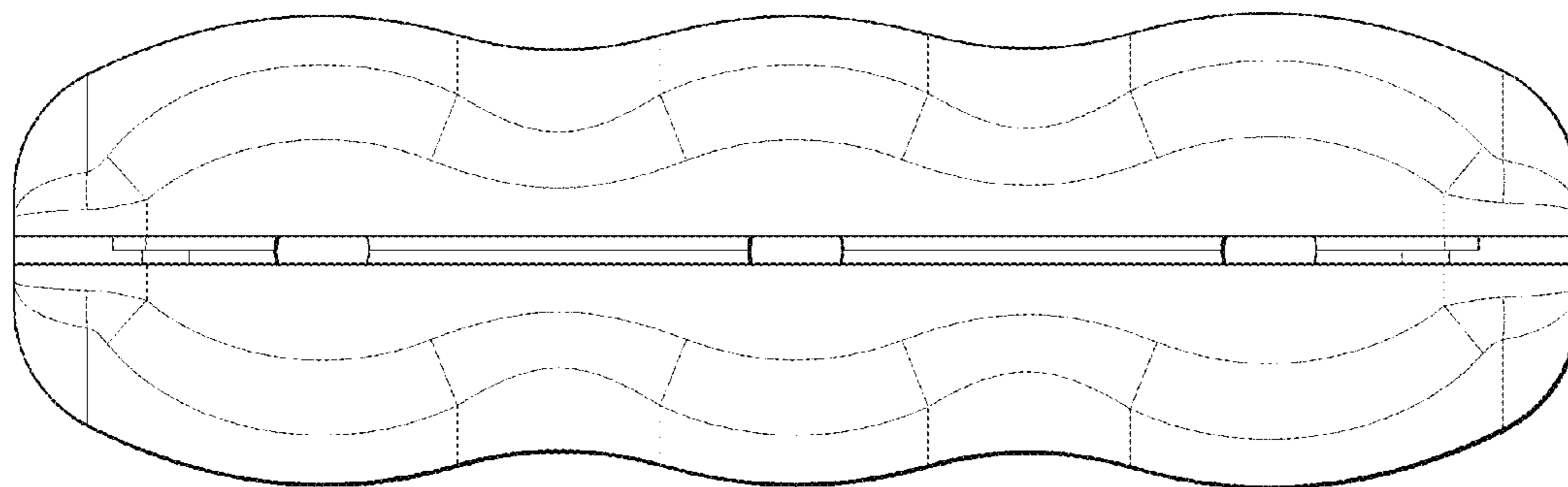


FIG. 28

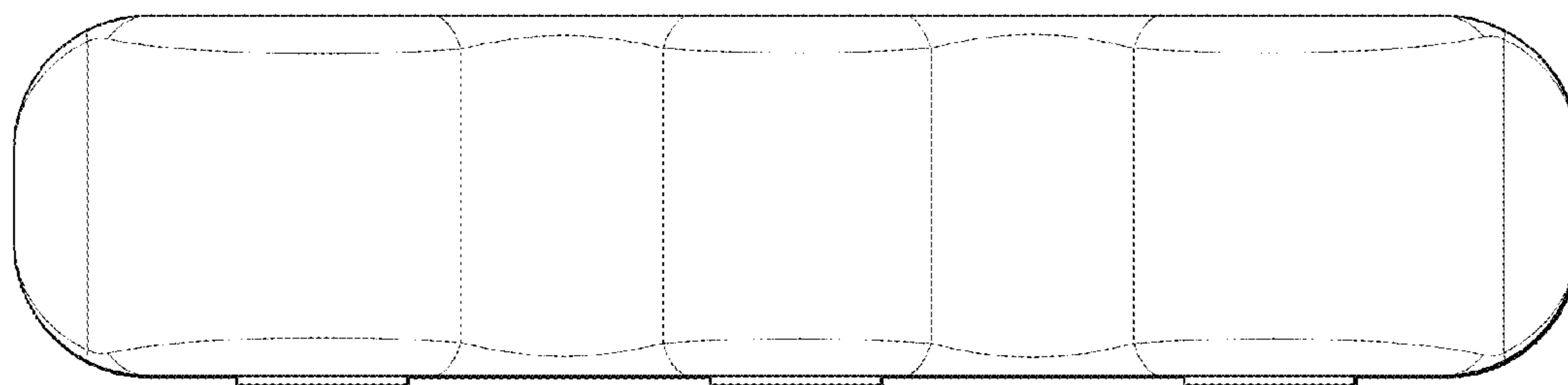


FIG. 29

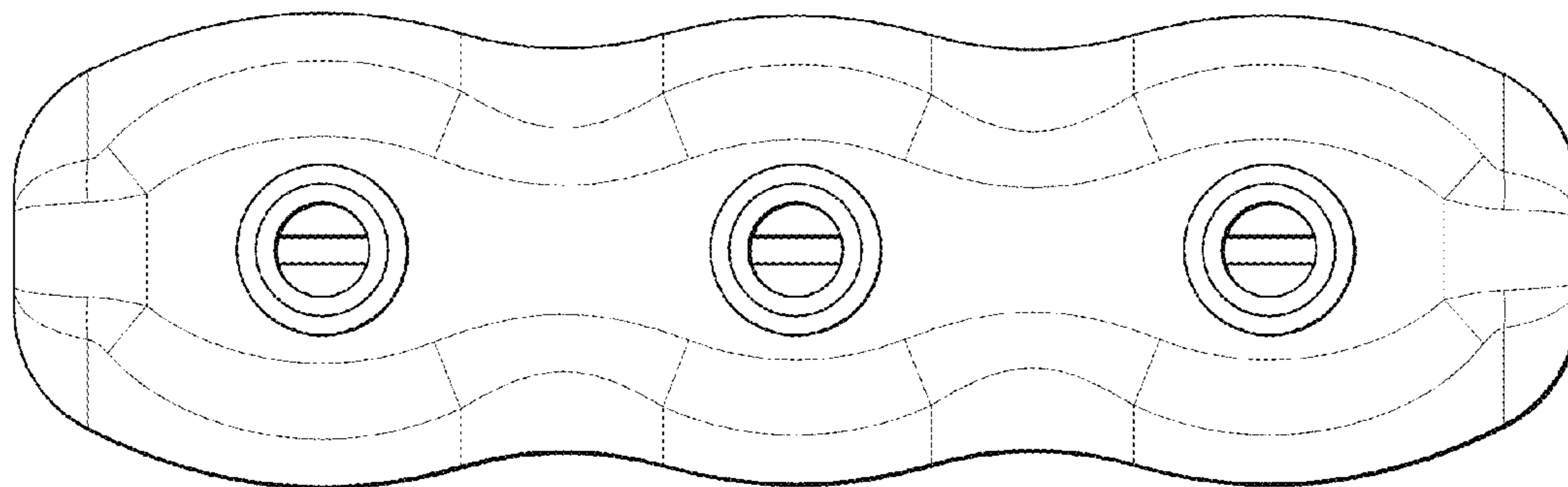


FIG. 30

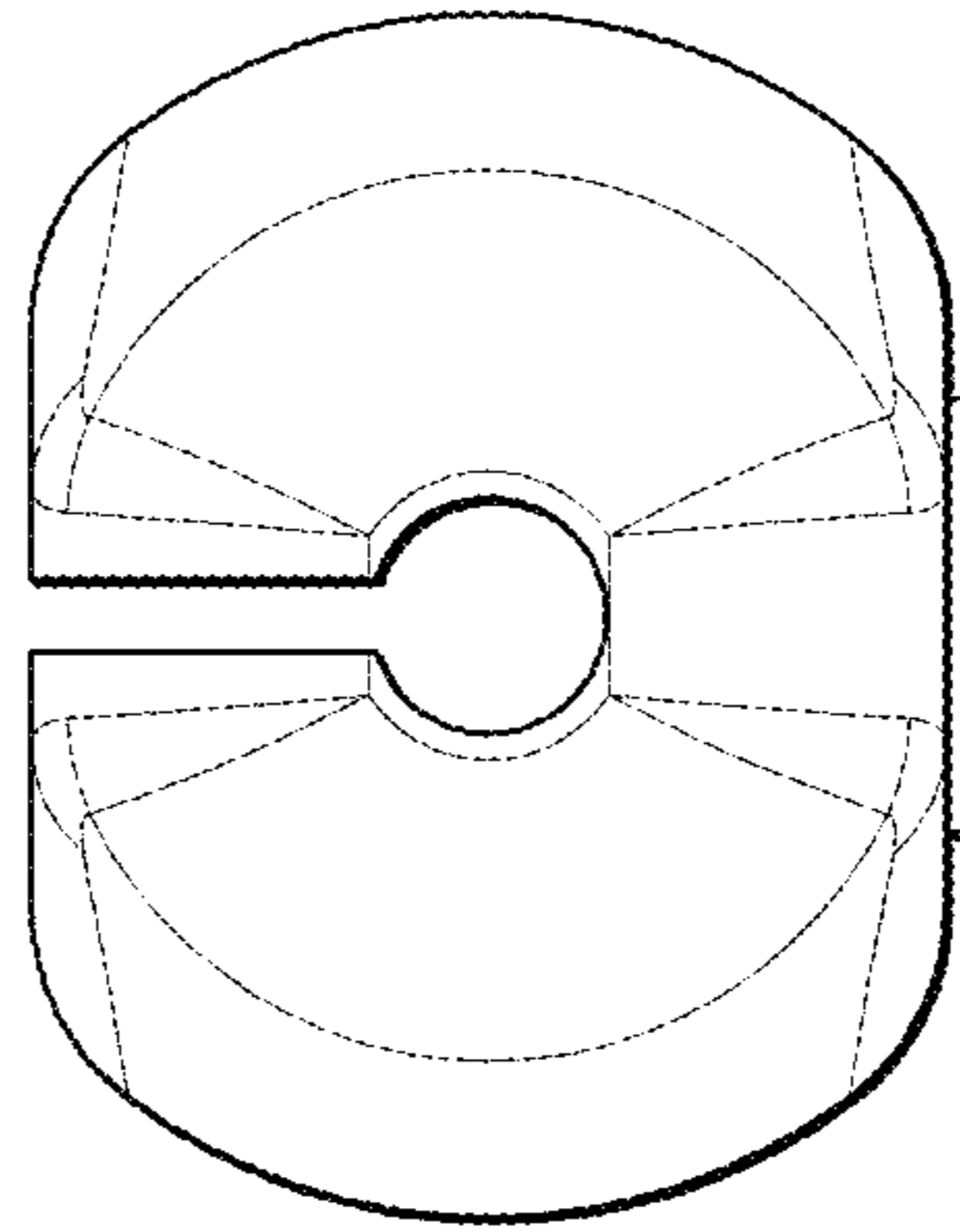


FIG. 31

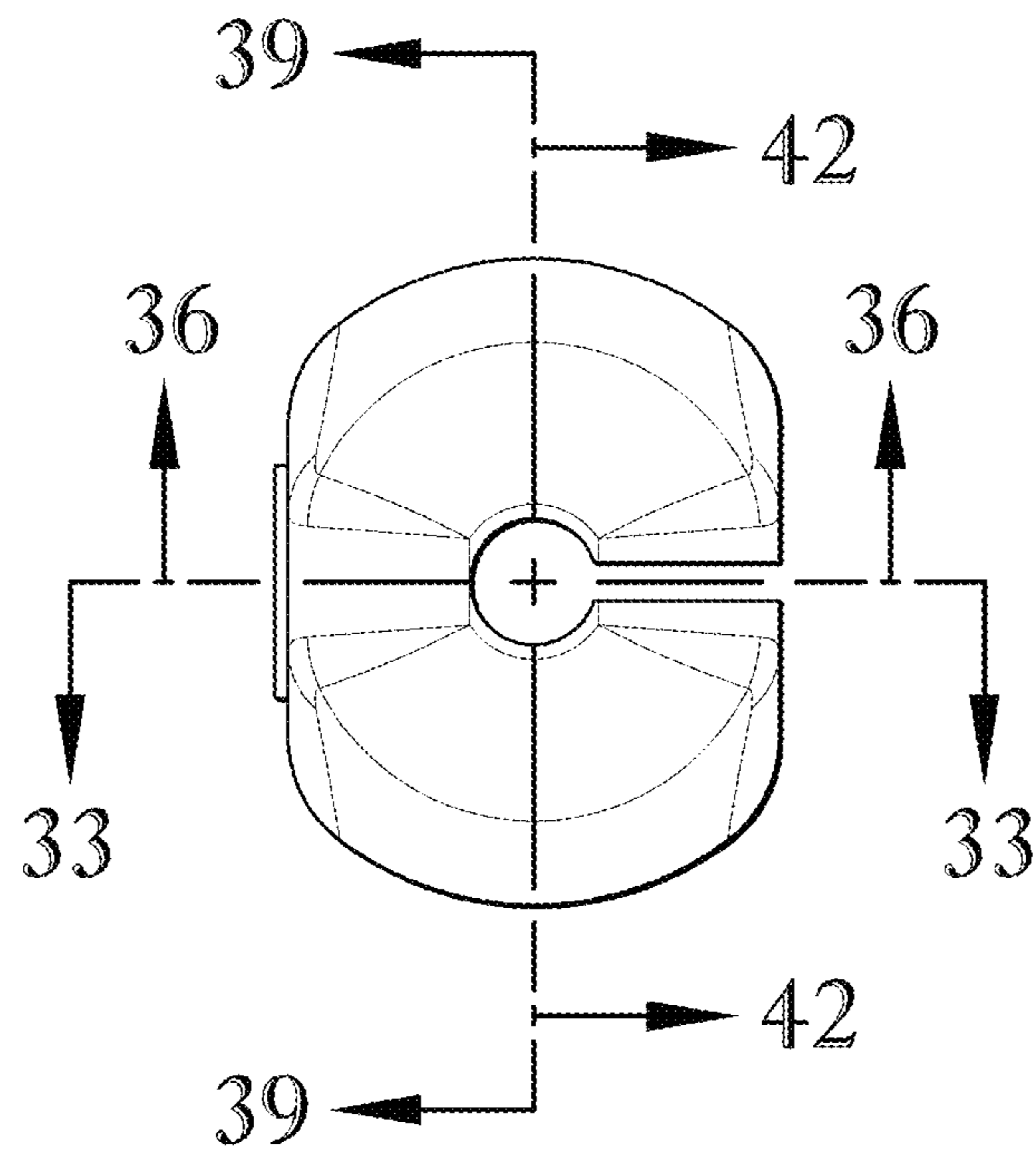
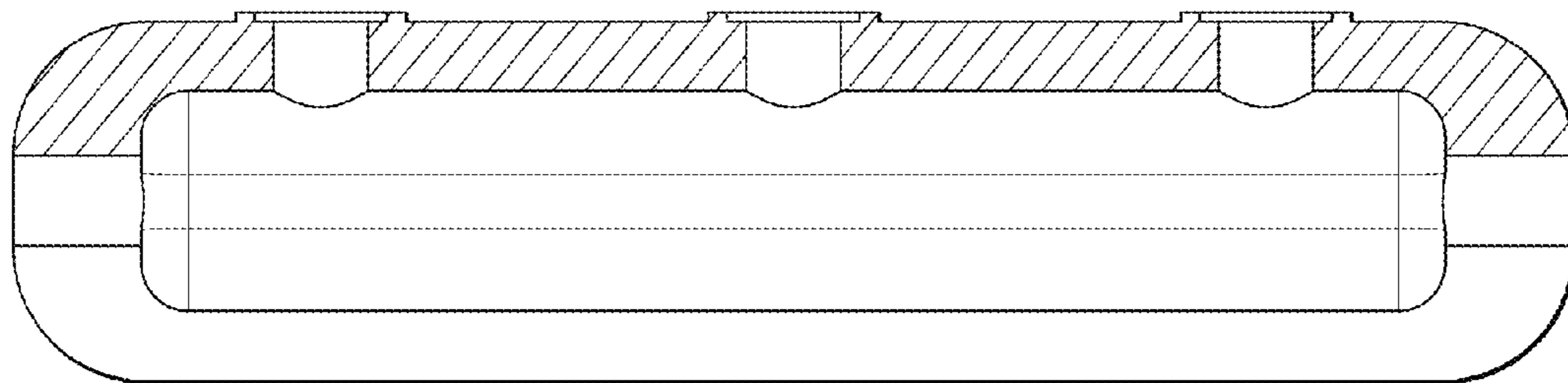
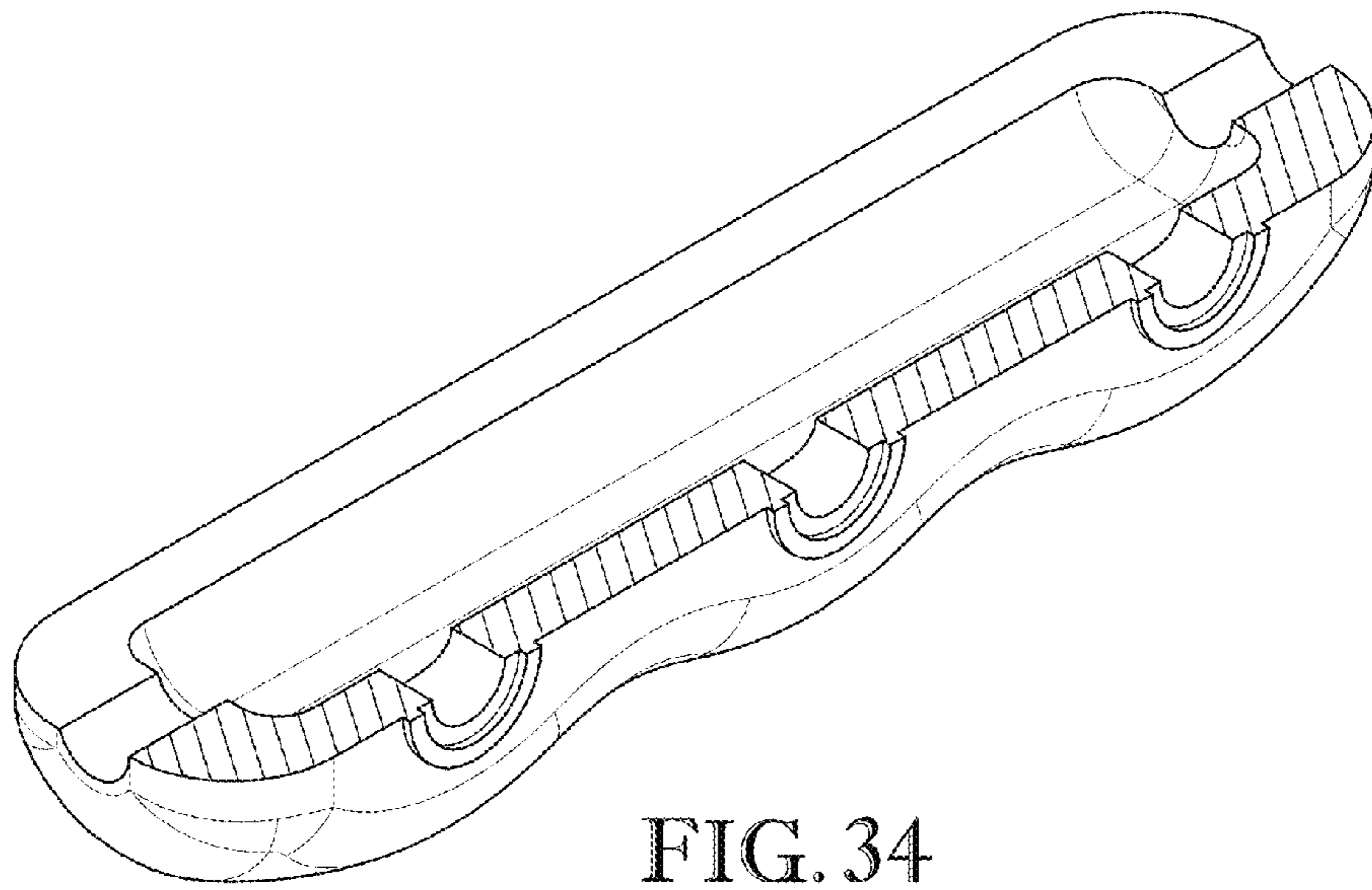
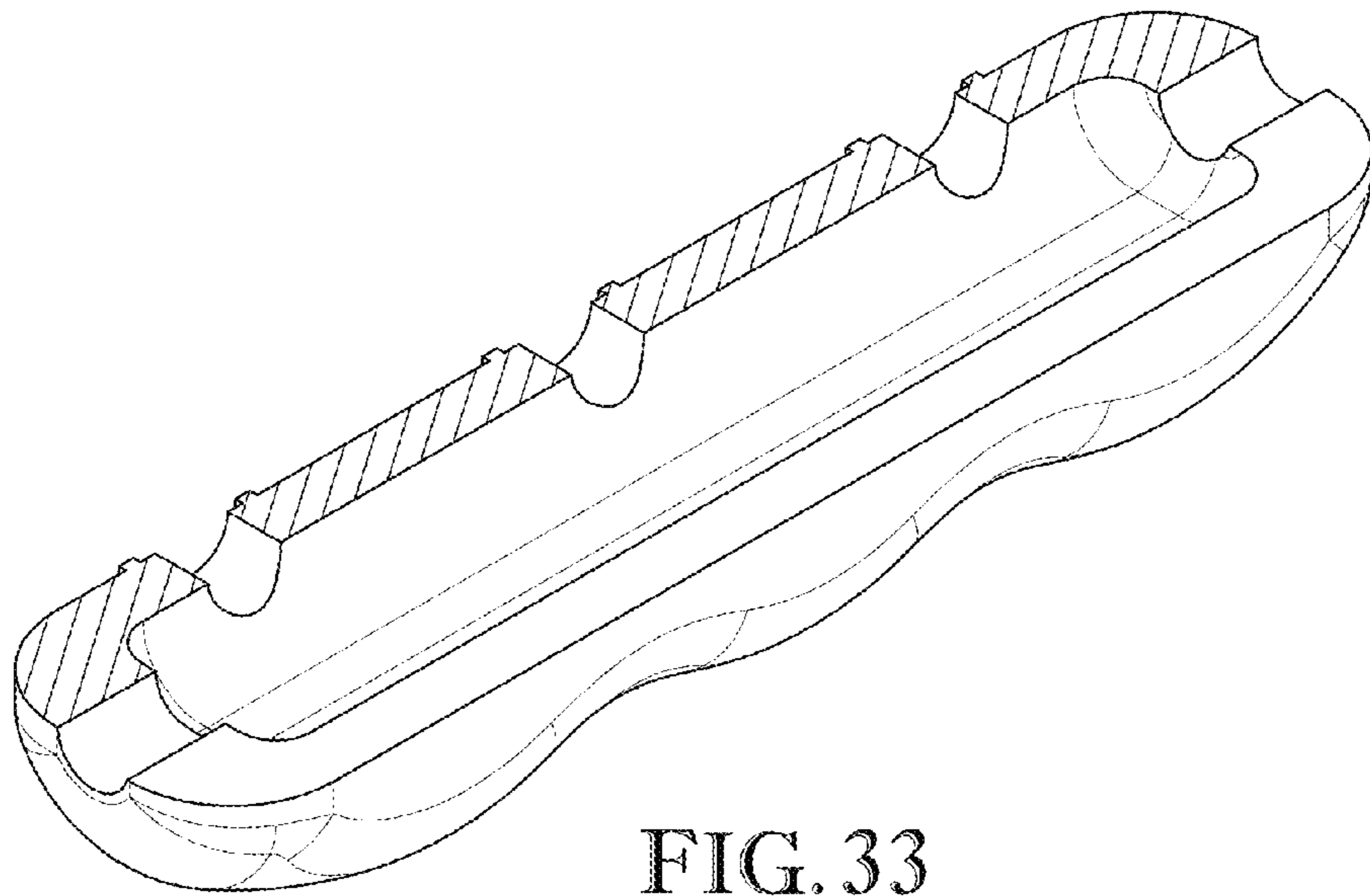


FIG. 32



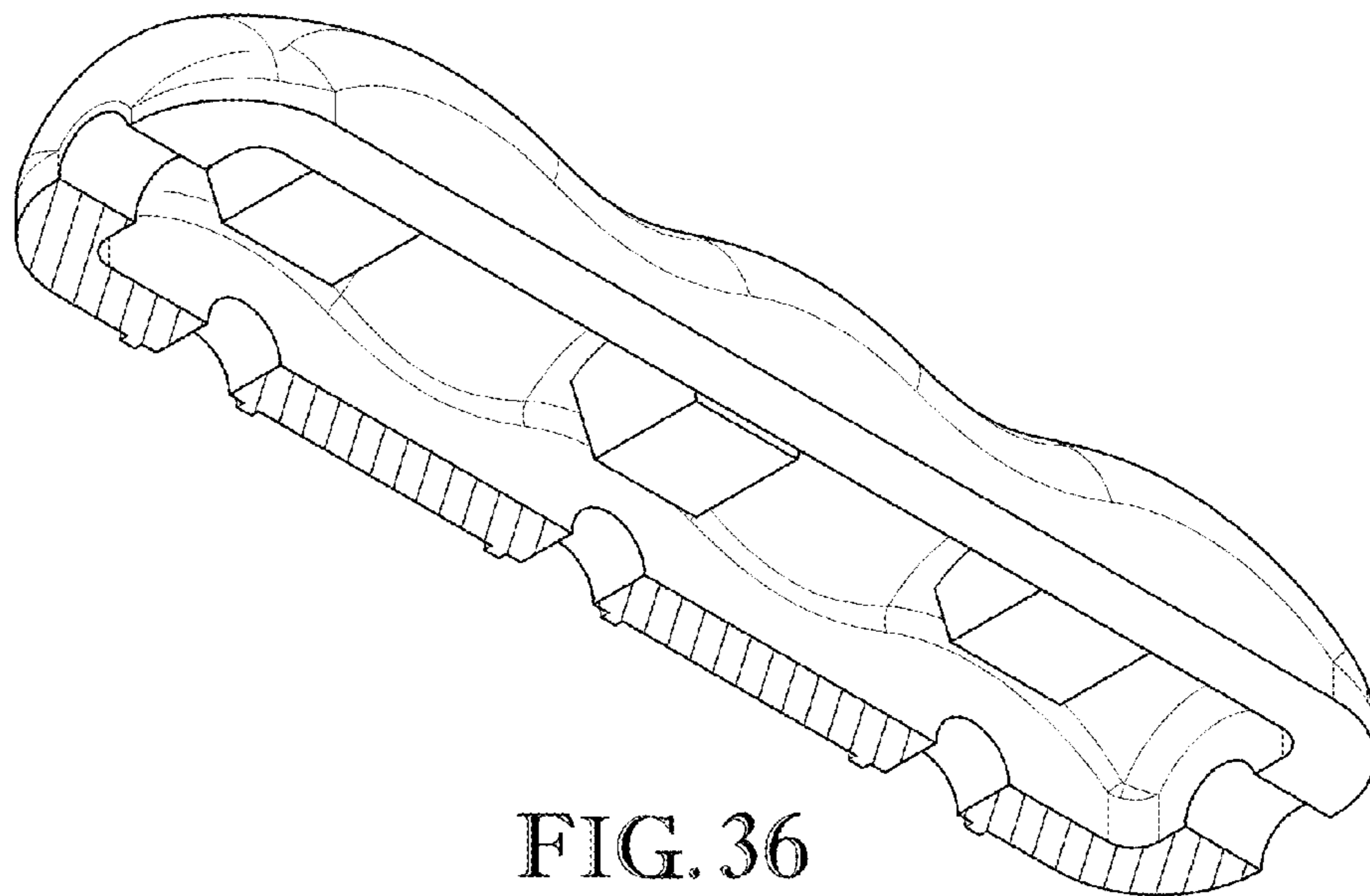


FIG. 36

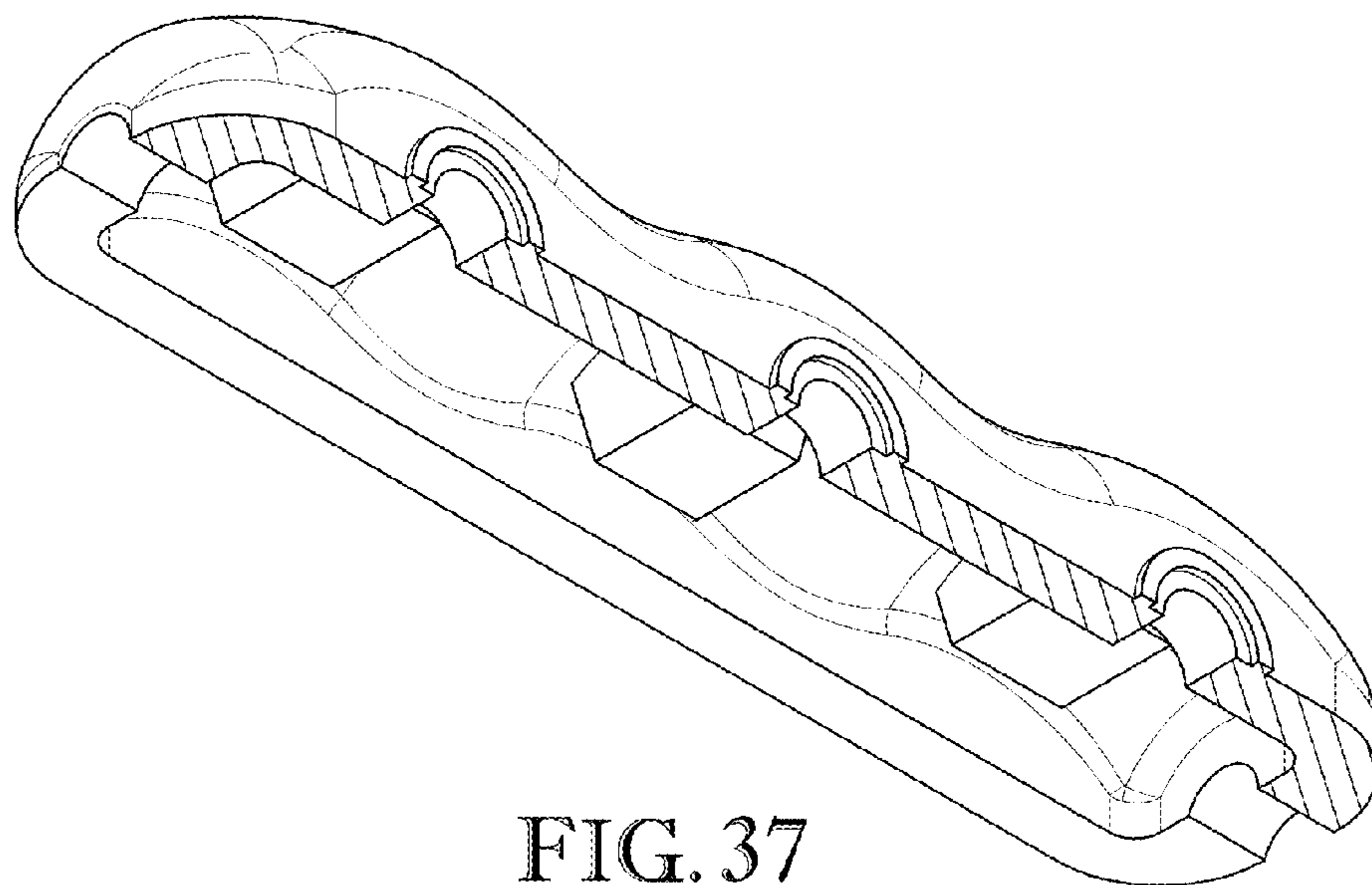


FIG. 37

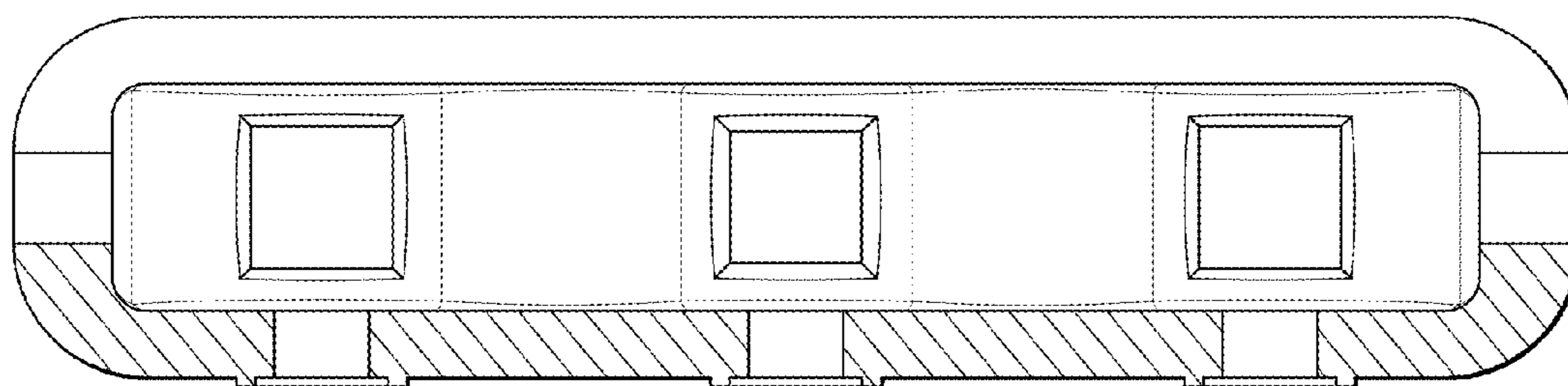


FIG. 38



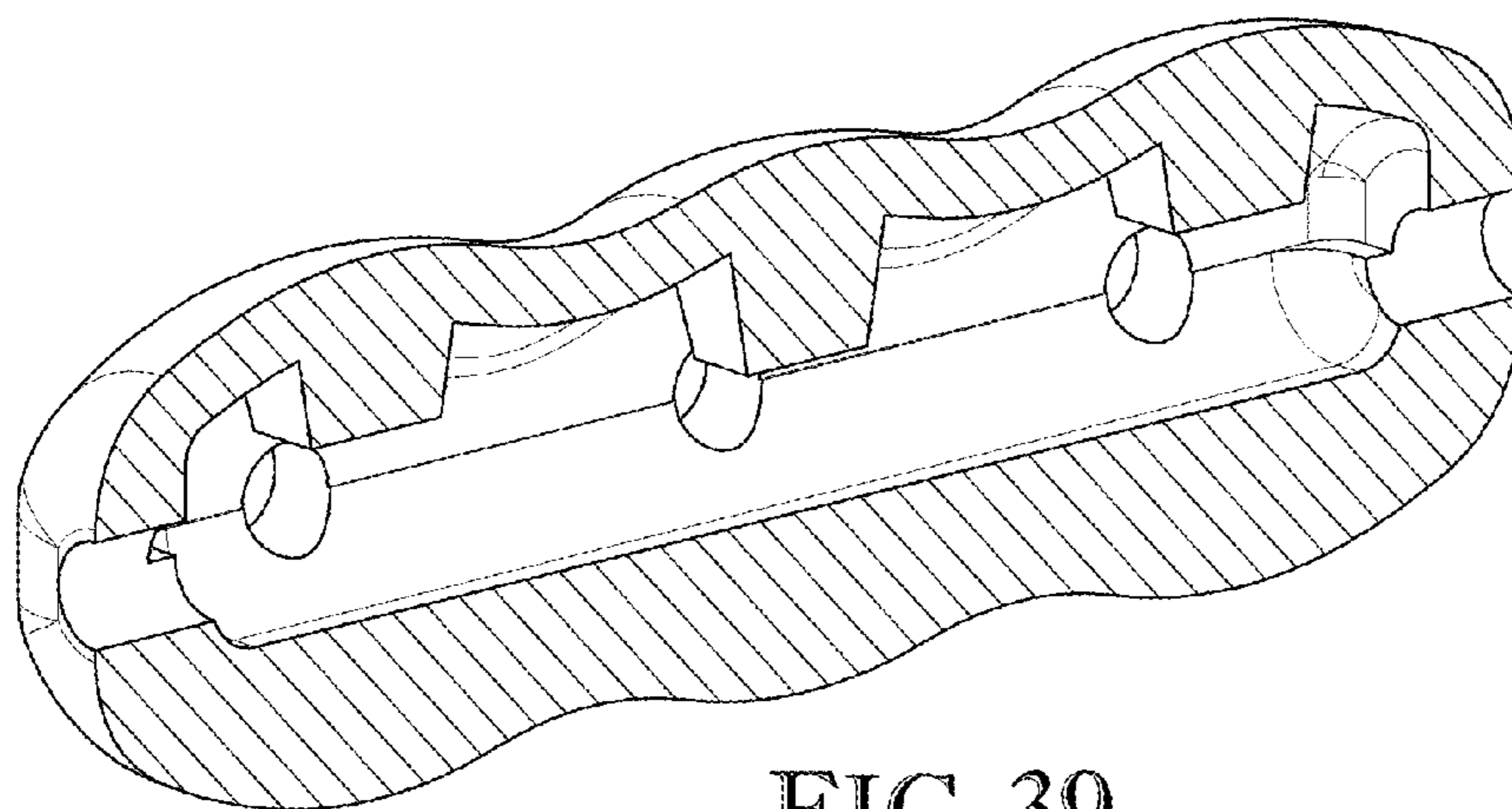


FIG. 39

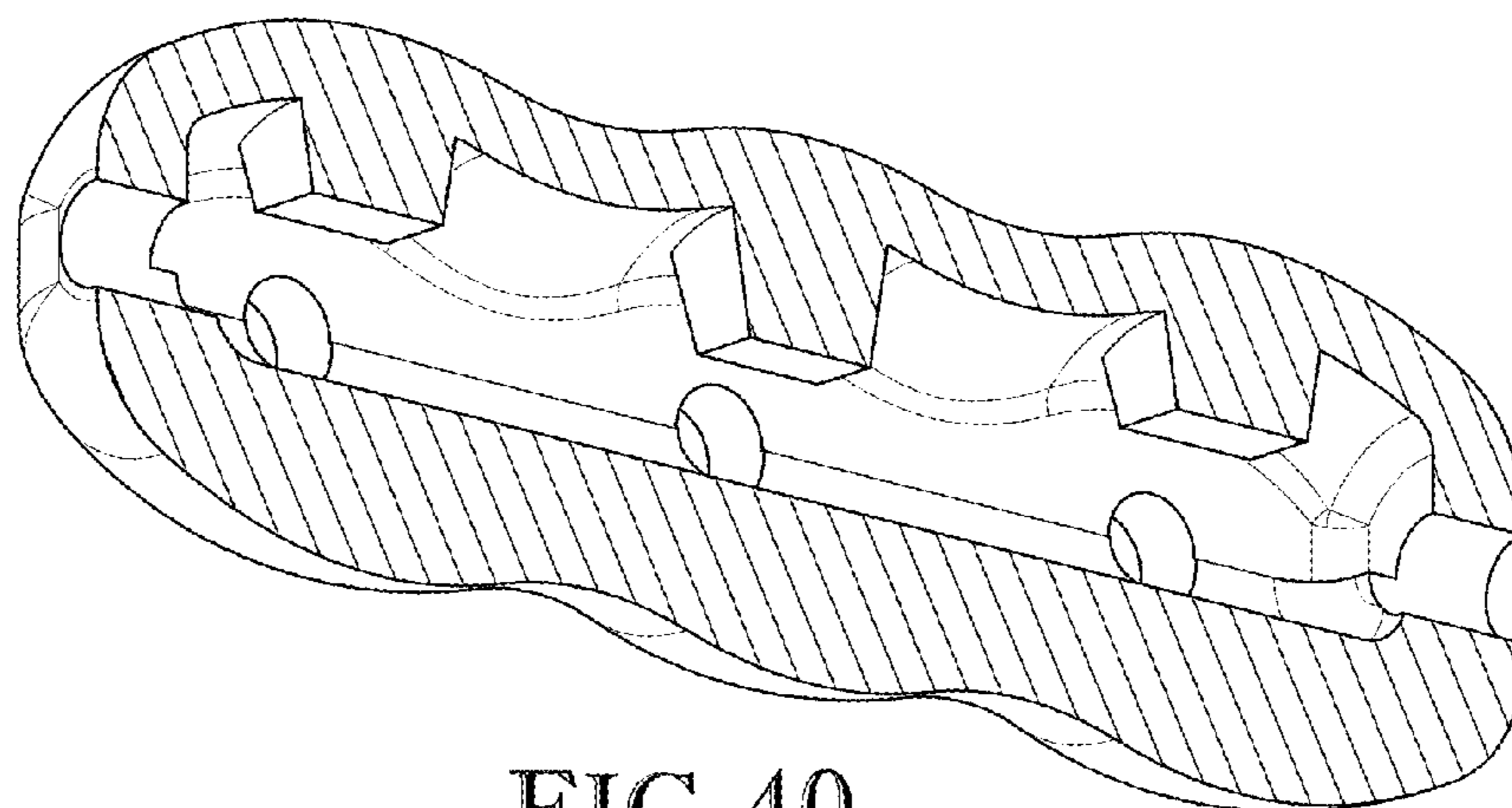


FIG. 40

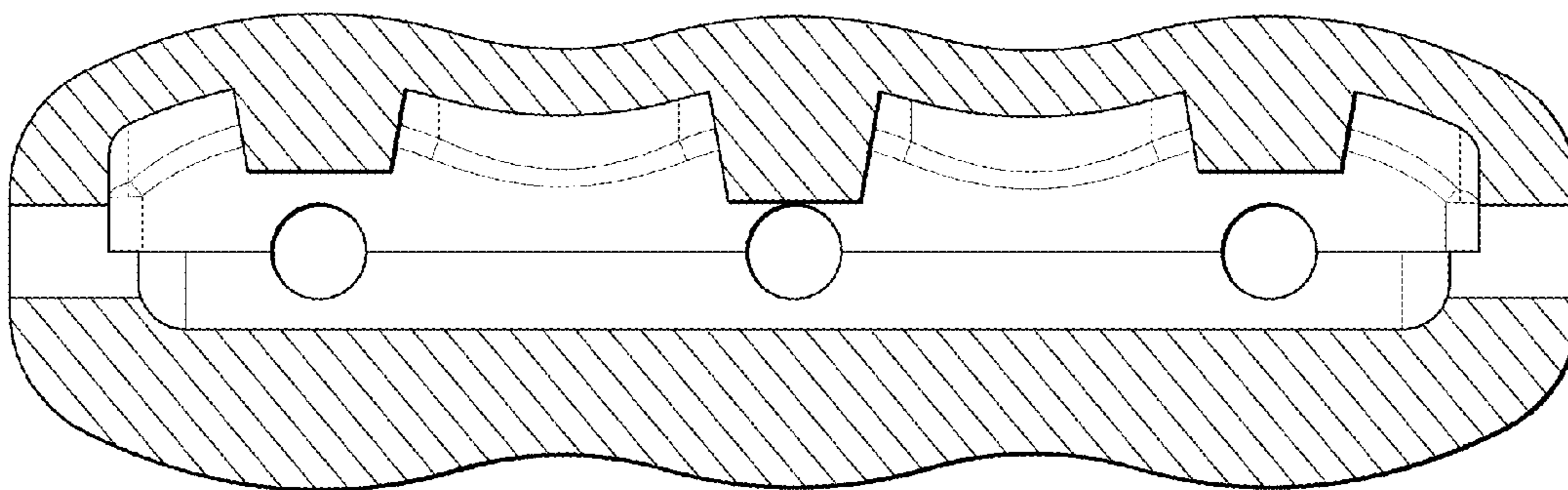


FIG. 41

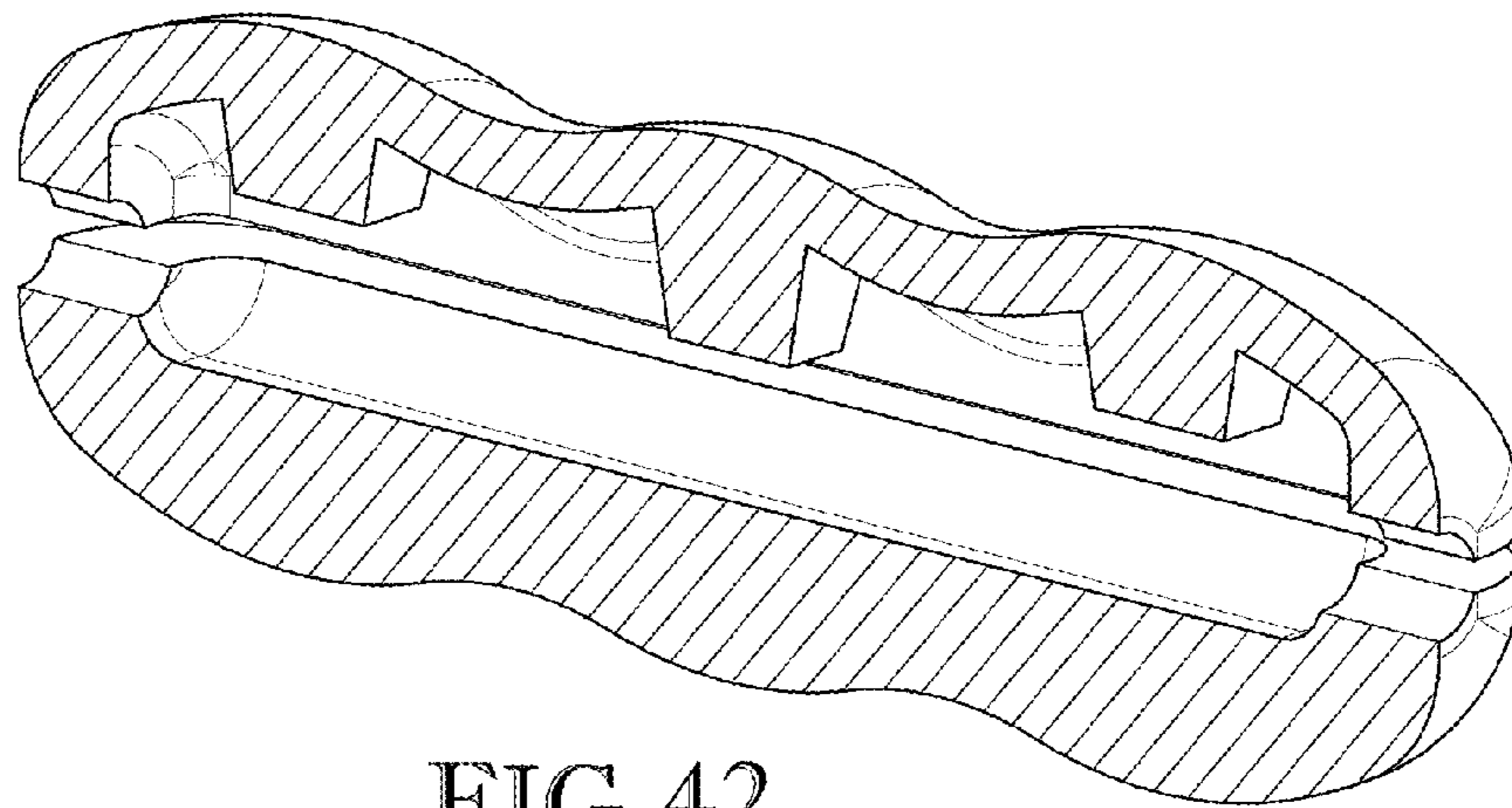


FIG. 42

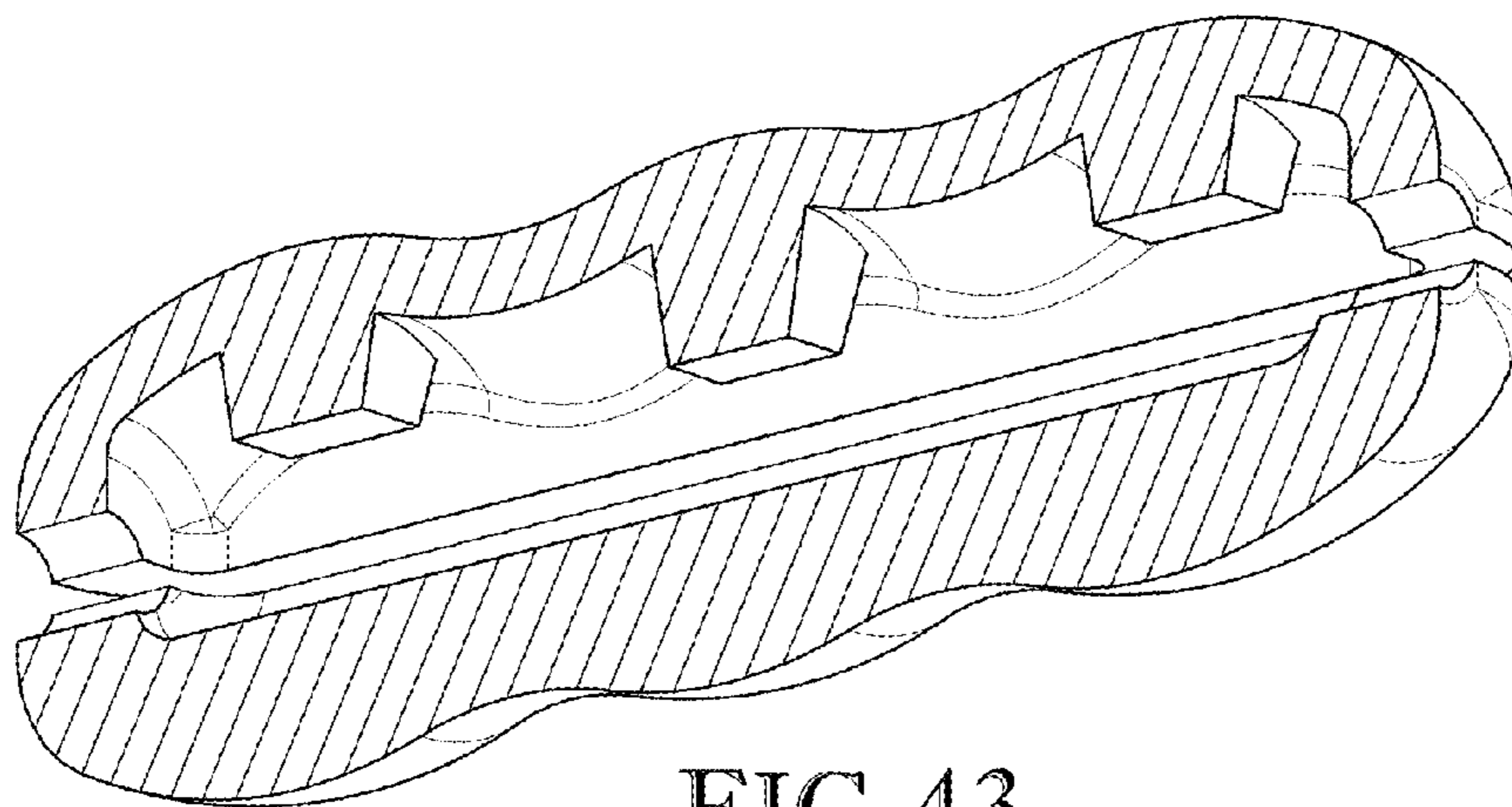


FIG. 43

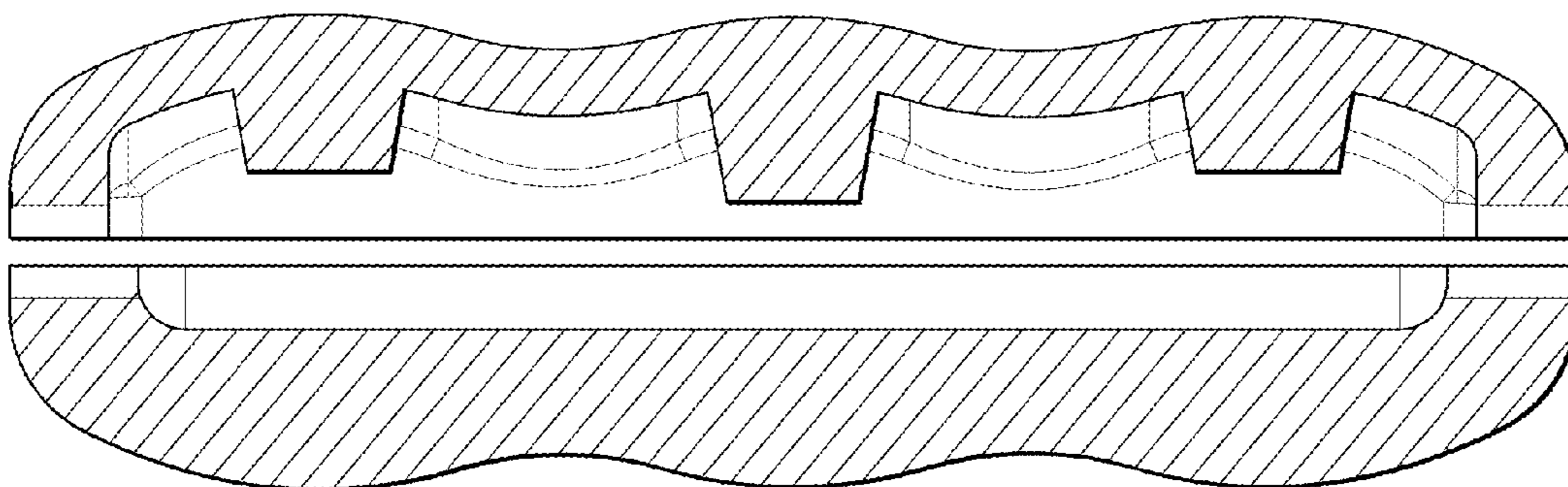


FIG. 44