



US00D752362S

(12) **United States Design Patent**  
**Tsukada et al.**

(10) **Patent No.:** **US D752,362 S**  
(45) **Date of Patent:** **\*\* Mar. 29, 2016**

(54) **MATTRESS**

(71) Applicant: **Panasonic Intellectual Property Management Co., Ltd.**, Osaka-shi, Osaka (JP)

(72) Inventors: **Shohei Tsukada**, Hyogo (JP); **Yohei Kume**, Osaka (JP); **Hideo Kawakami**, Osaka (JP)

(73) Assignee: **PANASONIC INTELLECTUAL PROPERTY MANAGEMENT CO., LTD.**, Osaka (JP)

(\*\*) Term: **14 Years**

(21) Appl. No.: **29/504,516**

(22) Filed: **Oct. 7, 2014**

(30) **Foreign Application Priority Data**

Apr. 7, 2014 (JP) ..... 2014-007560

(51) **LOC (10) Cl.** ..... **06-09**

(52) **U.S. Cl.**  
USPC ..... **D6/606**

(58) **Field of Classification Search**

USPC ..... D6/595-601, 604-606; D24/183; D1/104, 106, 126-128

CPC ..... A47C 20/00; A47C 14/04; A47C 27/10; A47C 27/081; A47C 27/082; A47G 9/10; A47G 9/1027; A47G 9/1054; A47G 9/1063; A47G 9/1072; A47G 9/1081; A47G 9/109; A61G 7/05769; F16K 15/14; F16K 15/16; F16K 15/186; F16K 15/188; F16K 15/205

See application file for complete search history.

(56) **References Cited**

**U.S. PATENT DOCUMENTS**

6,612,711 B1\* 9/2003 Hagenbach ..... F21V 1/16  
362/189  
2002/0144342 A1\* 10/2002 Fruge ..... A47C 17/04  
5/12.1  
2004/0040596 A1\* 3/2004 Tsai ..... F16K 15/205

137/232  
2006/0162779 A1\* 7/2006 Chaffee ..... A47C 27/082  
137/223  
2009/0025149 A1\* 1/2009 Chan ..... A47C 27/082  
5/660  
2011/0258783 A1\* 10/2011 Rickman ..... A61G 7/05769  
5/710  
2014/0298589 A1\* 10/2014 Bailey ..... A47C 27/081  
5/710  
2015/0037113 A1\* 2/2015 Maness ..... F16K 15/18  
410/119  
2015/0272340 A1\* 10/2015 Hopp ..... B62J 1/26  
137/223

\* cited by examiner

*Primary Examiner* — Mary Ann Calabrese

(74) *Attorney, Agent, or Firm* — Brinks Gilson & Lione

(57) **CLAIM**

We claim the ornamental design for a mattress, as shown and described.

**DESCRIPTION**

FIG. 1 is a top perspective view of a mattress of the present invention;

FIG. 2 is a bottom perspective view thereof;

FIG. 3 is a first side view thereof;

FIG. 4 is a second side view thereof;

FIG. 5 is a front view thereof;

FIG. 6 is a rear view thereof;

FIG. 7 is a top view thereof;

FIG. 8 is a bottom view thereof;

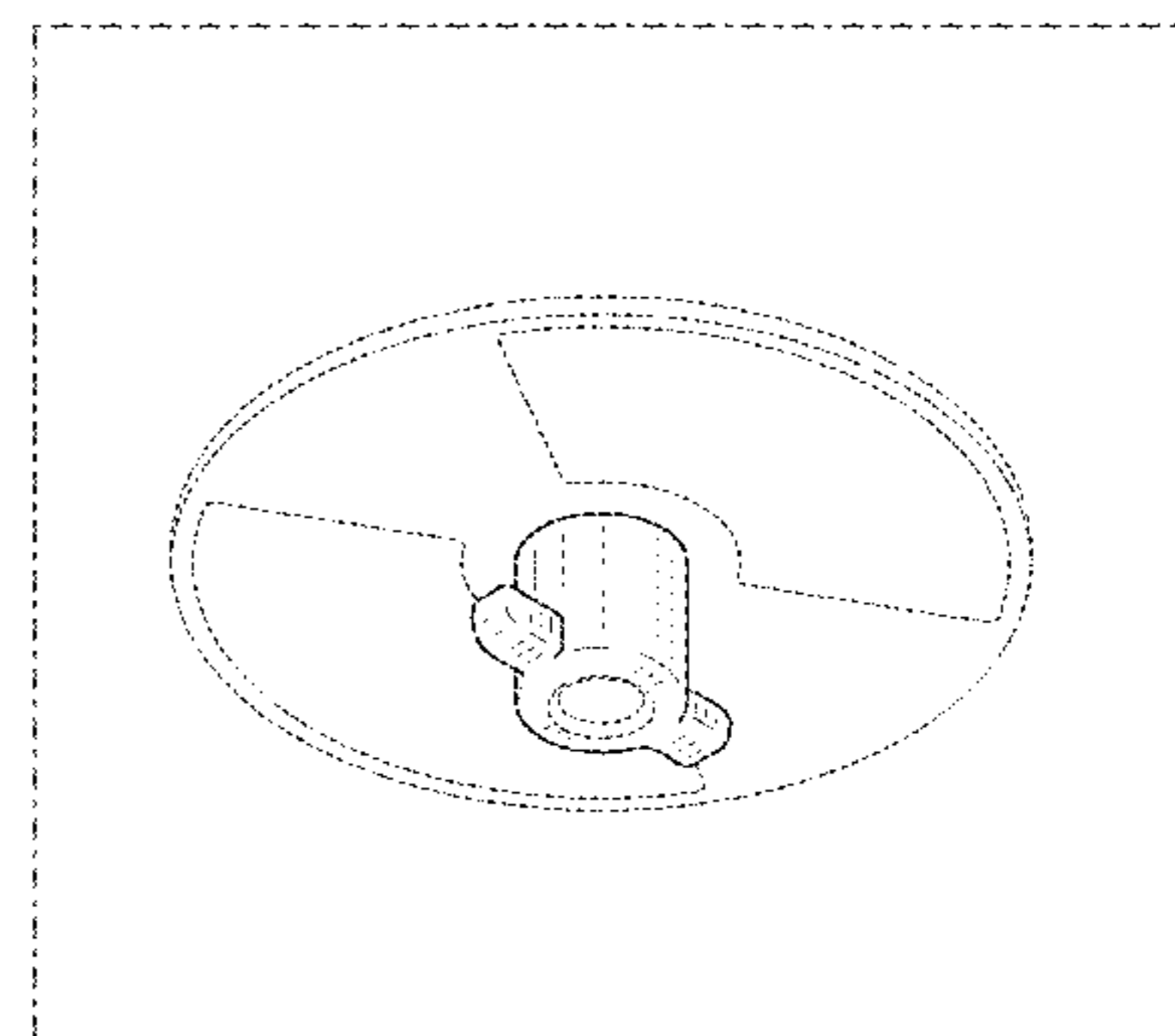
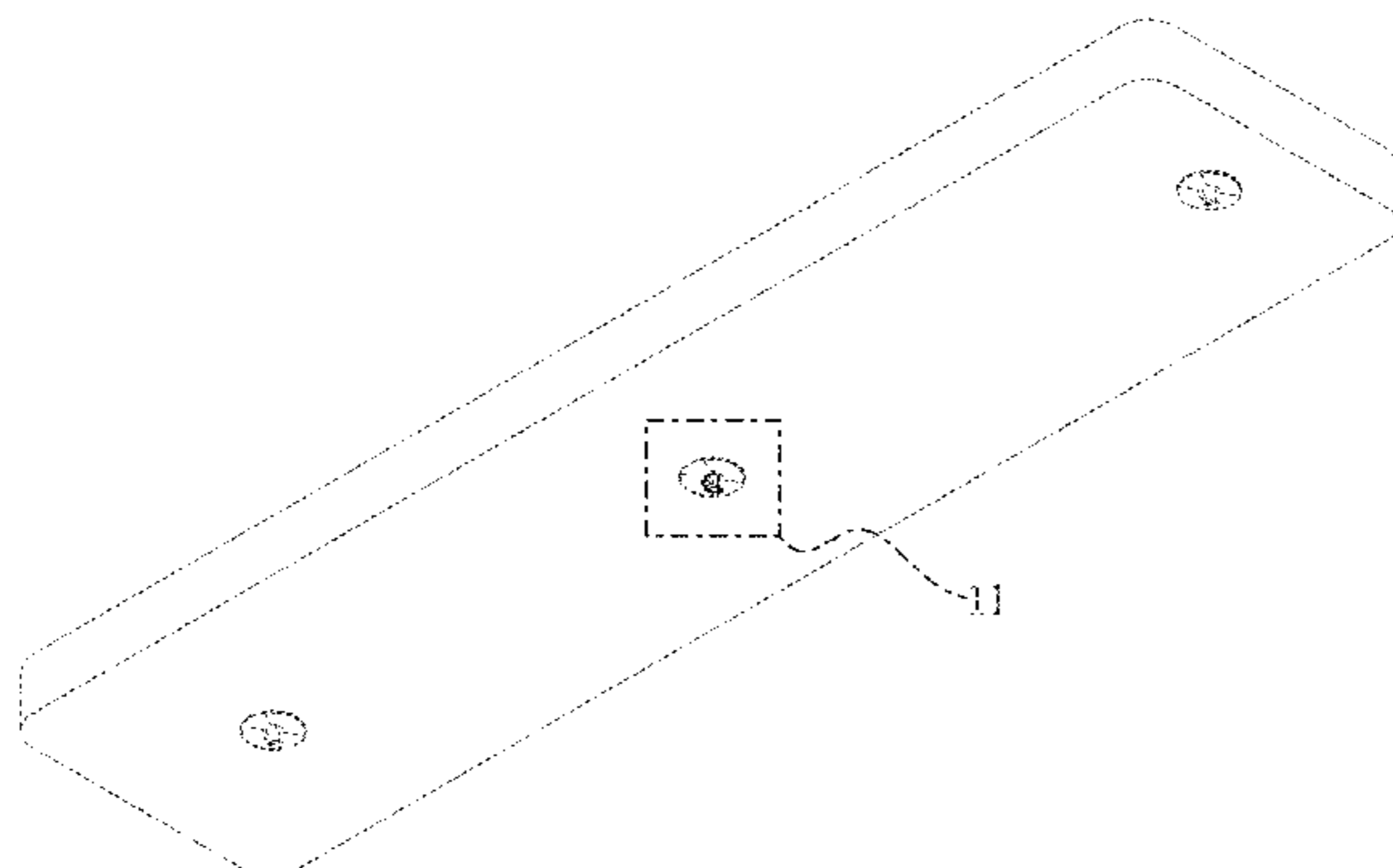
FIG. 9 is an enlarged view of the portion delineated by box '9' of FIG. 3;

FIG. 10 is an enlarged view of the portion delineated by box '10' of FIG. 8; and,

FIG. 11 is an enlarged view of the portion delineated by box '11' of FIG. 2.

The evenly spaced broken lines represent unclaimed subject matter and form no part of the claimed design. Additionally, the dot-dash broken lines in each of FIGS. 2, 3 and 8-11 define the section in which the enlarged view is taken and form no part of the claimed design.

**1 Claim, 7 Drawing Sheets**



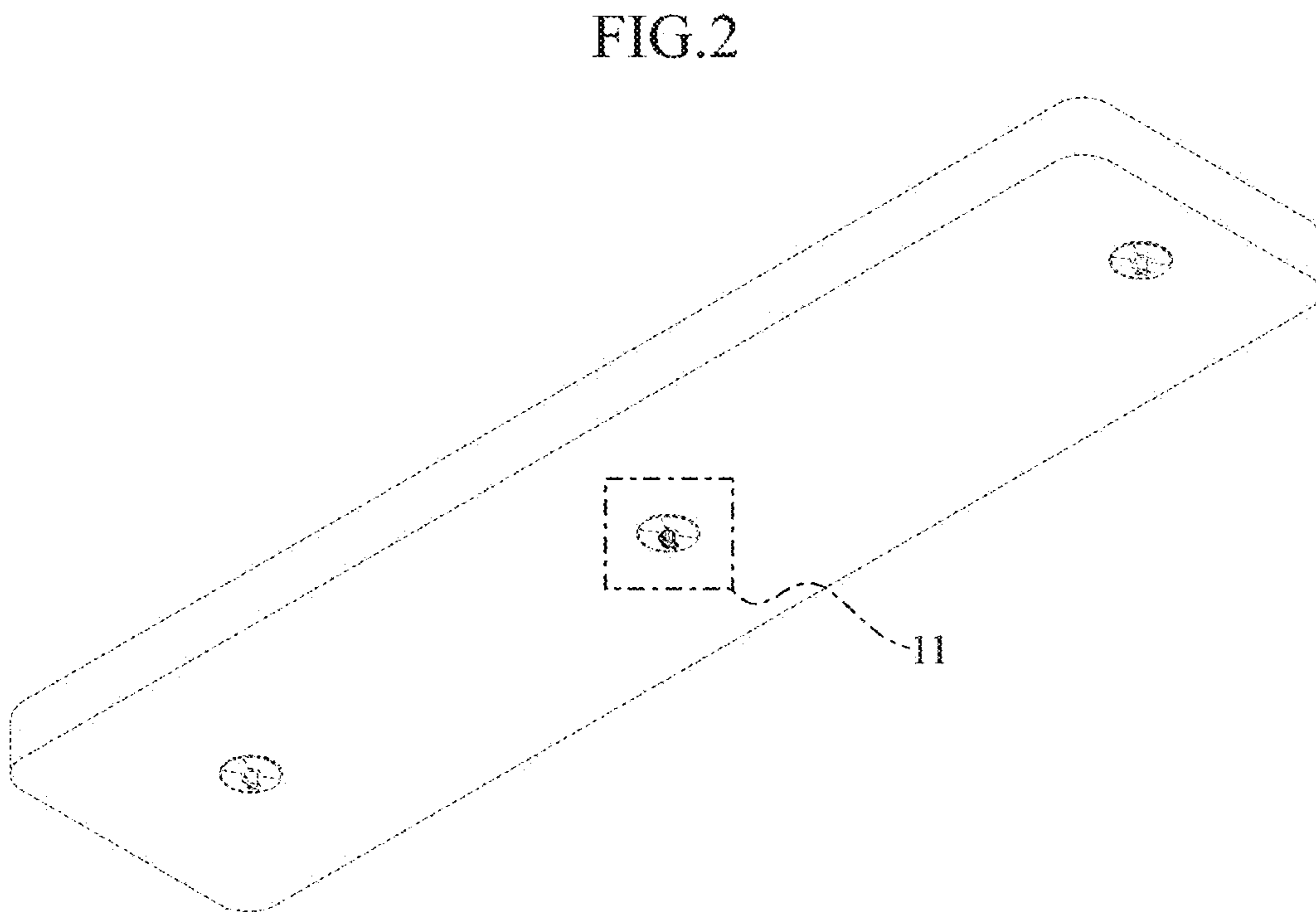
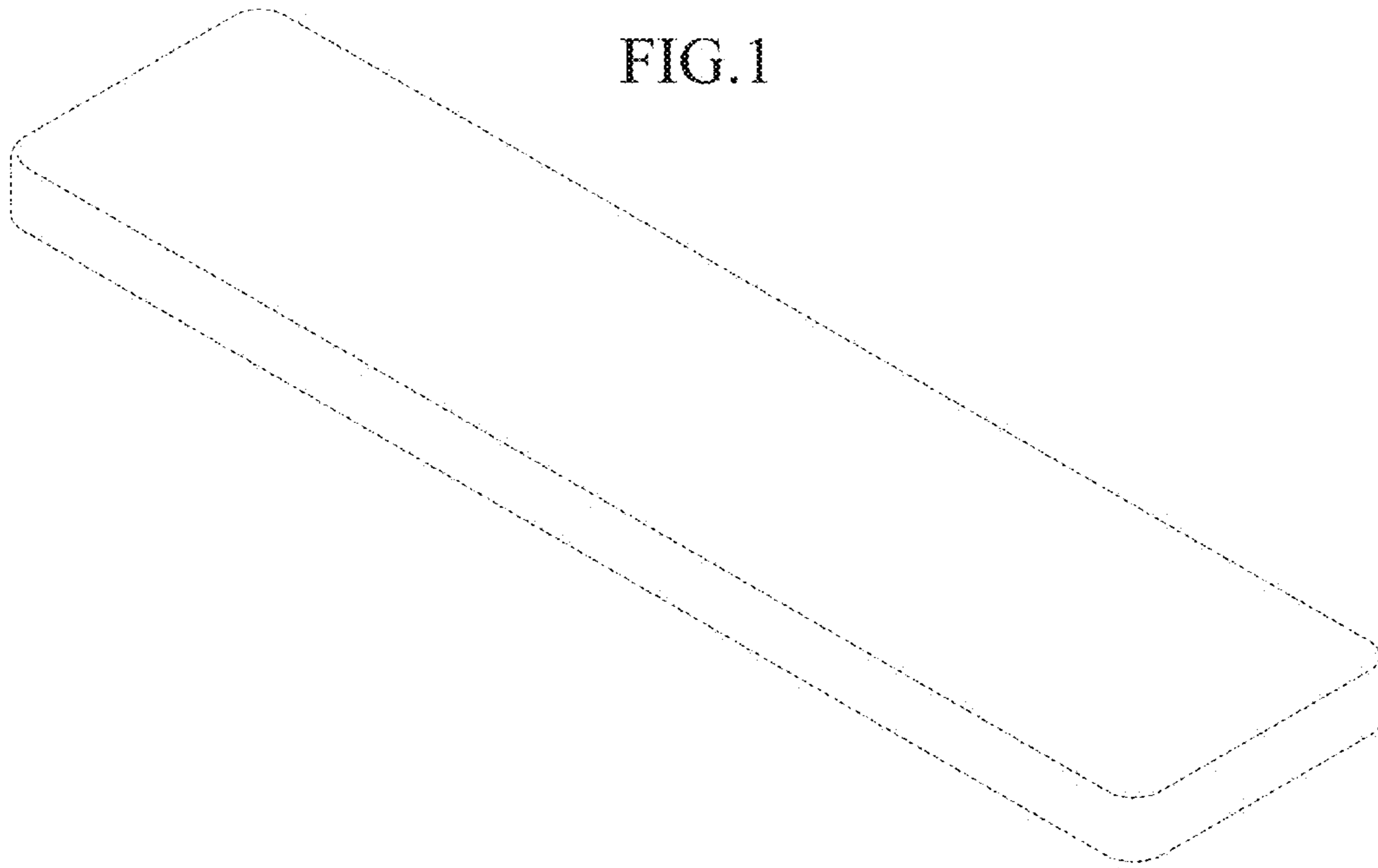


FIG.3

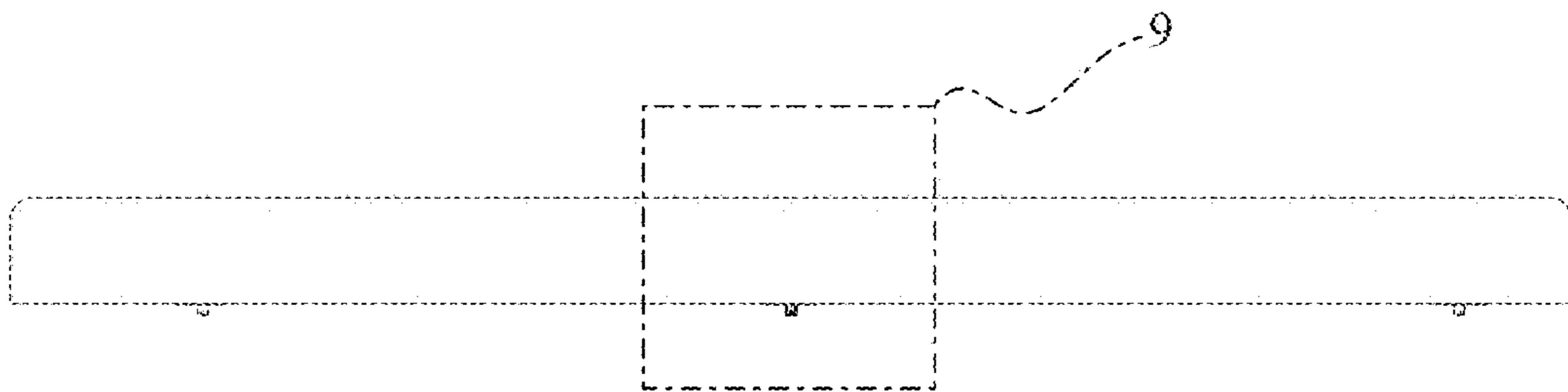


FIG.4



FIG.5

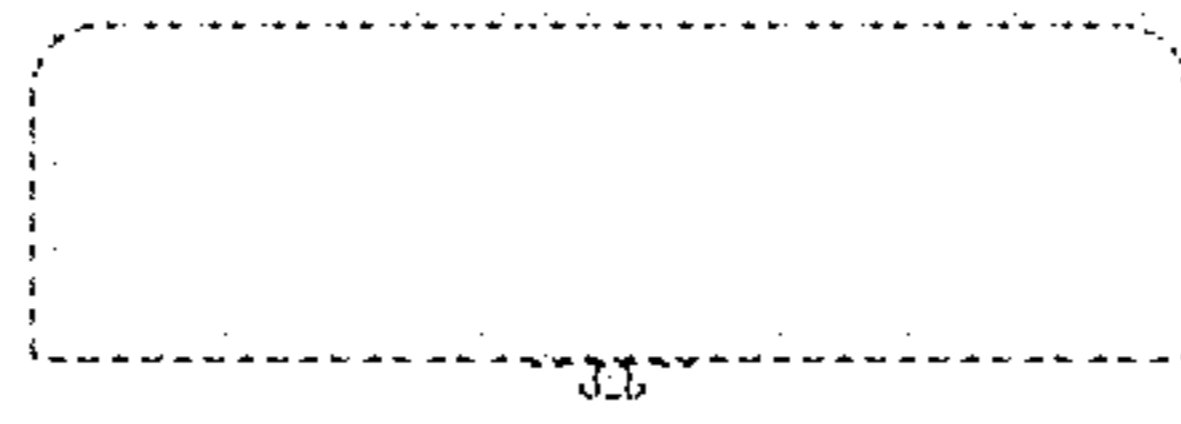


FIG.6

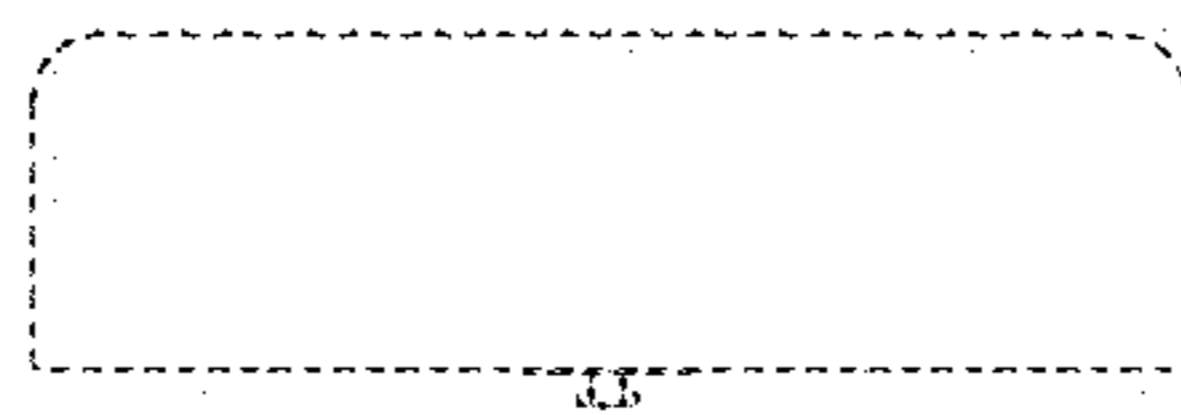


FIG.7

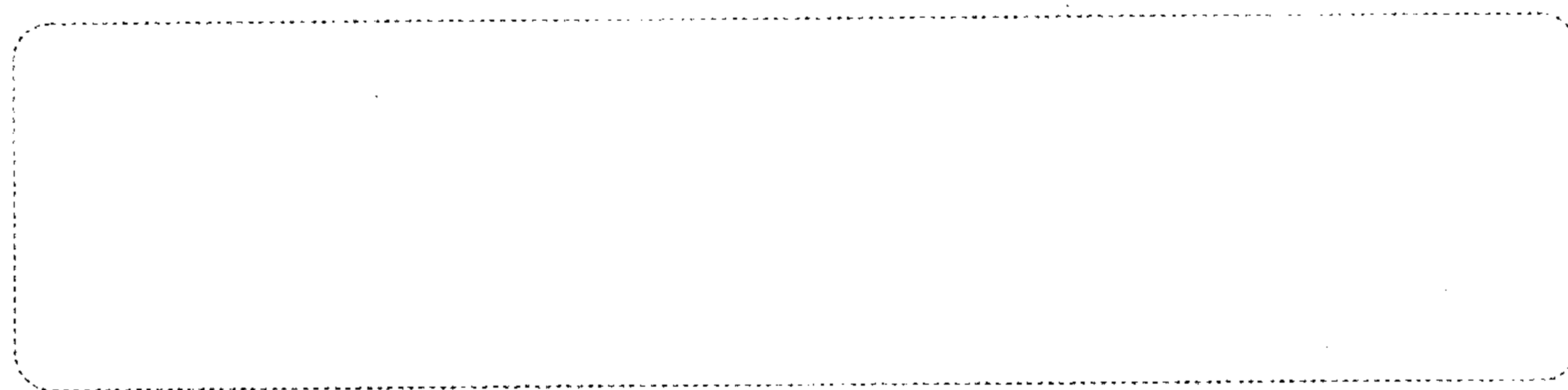


FIG.8

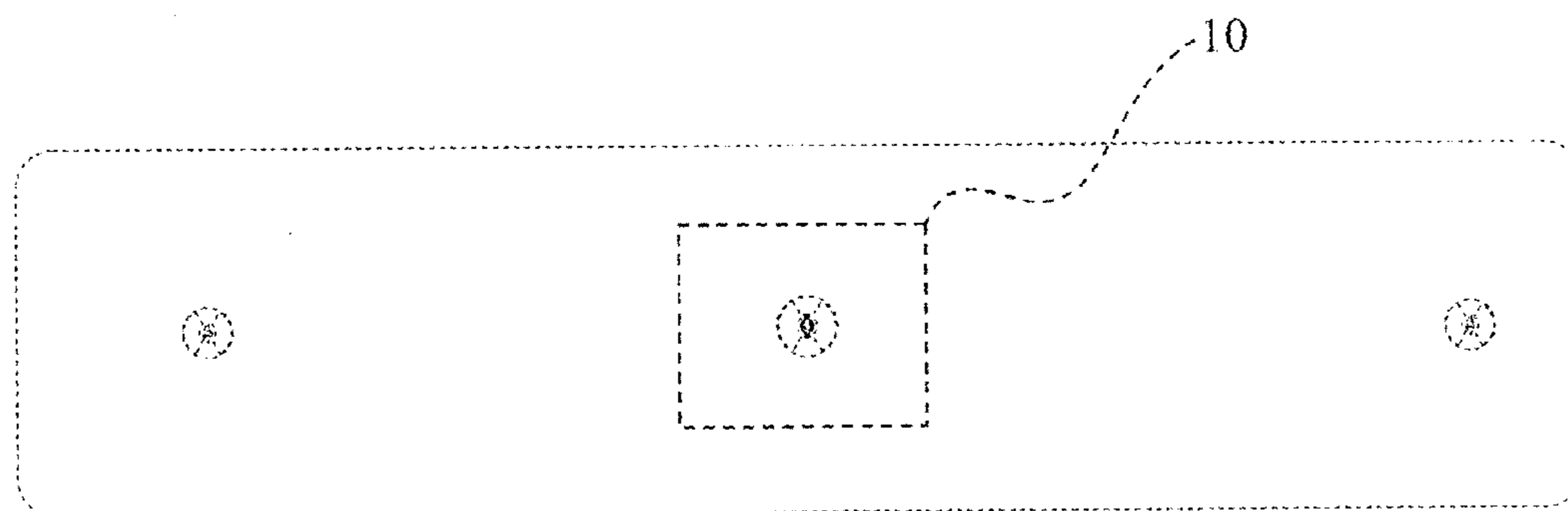


FIG.9

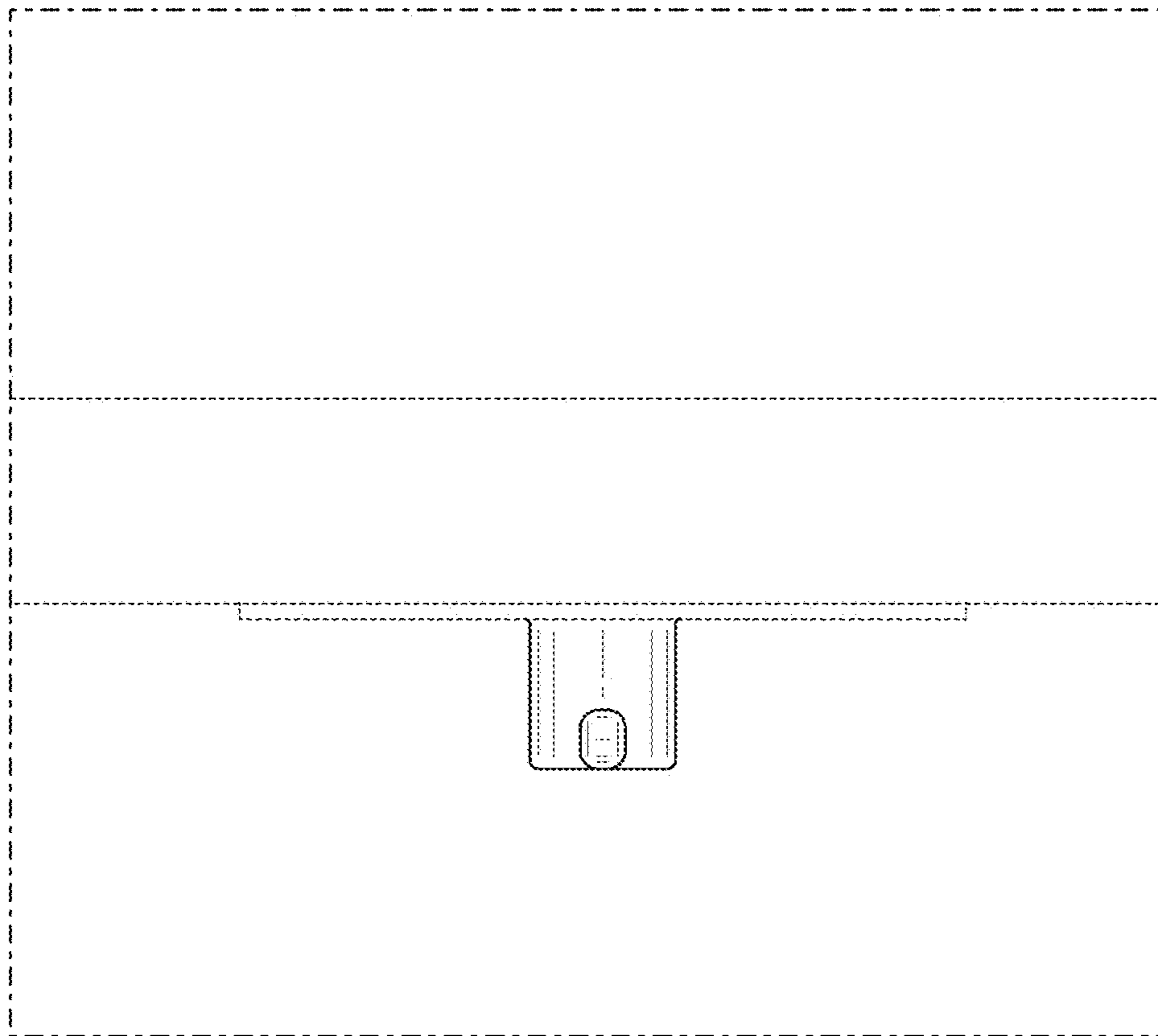


FIG. 10

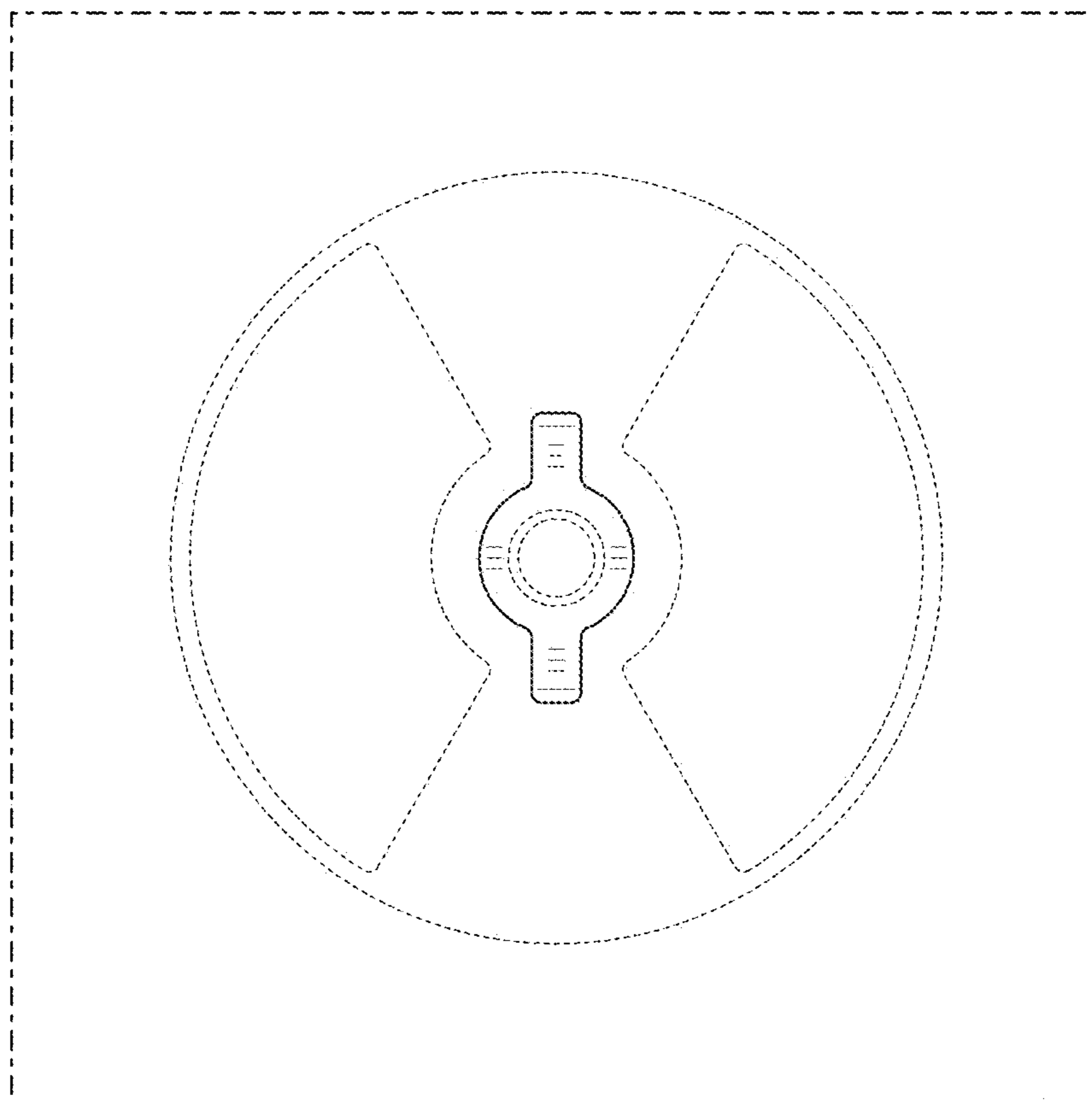


FIG. 11

