



US00D752361S

(12) **United States Design Patent**
Cumby

(10) **Patent No.:** **US D752,361 S**
(45) **Date of Patent:** **** Mar. 29, 2016**

(54) **PILLOWCASE HAVING POCKETS FOR RECEIVING HANDS AND FEET**

2014/0115787 A1* 5/2014 Garcia A47G 9/1081
5/636

* cited by examiner

(71) Applicant: **Jeanne Cumby**, Asheville, NC (US)

Primary Examiner — Mary Ann Calabrese

(72) Inventor: **Jeanne Cumby**, Asheville, NC (US)

(74) *Attorney, Agent, or Firm* — The Van Winkle Law Firm; David M. Carter; William G. Heedy

(**) Term: **14 Years**

(57) **CLAIM**

(21) Appl. No.: **29/506,948**

The ornamental design for a pillowcase having pockets for receiving hands and feet, as shown and described.

(22) Filed: **Oct. 22, 2014**

DESCRIPTION

(51) **LOC (10) Cl.** **06-09**

FIG. 1 is a top and bottom left end perspective view showing one embodiment of my new design.

(52) **U.S. Cl.**

FIG. 2 is a top plan view thereof.

USPC **D6/601**

FIG. 3 is a bottom plan view thereof.

(58) **Field of Classification Search**

FIG. 4 is a top and bottom right end perspective view thereof.

USPC D6/595–601, 603, 609

FIG. 5 is a left end view thereof.

CPC A47G 9/00; A47G 9/024; A47G 9/0253;

FIG. 6 is a right end view thereof.

A47G 9/04; A47G 9/08

FIG. 7 is a side view of the embodiment of FIG. 1 with the pillowcase containing a pillow and showing a user in broken lines.

See application file for complete search history.

FIG. 8 is a top and bottom left end perspective view showing a second embodiment of my new design.

(56) **References Cited**

FIG. 9 is a top plan view thereof.

U.S. PATENT DOCUMENTS

FIG. 10 is a bottom plan view thereof.

2,264,471 A * 12/1941 Glenn A47G 9/062
2/69

FIG. 11 is a top and bottom right end perspective view thereof.

D596,439 S * 7/2009 Hall D6/596

FIG. 12 is a left end view thereof.

D615,338 S * 5/2010 Balkaran D6/596

FIG. 13 is a right end view thereof; and,

D620,741 S * 8/2010 Pride-Darrington D6/608

FIG. 14 is a side view of the embodiment of FIG. 8 with the pillowcase containing a pillow and showing a user in broken lines.

D650,148 S * 12/2011 Sanders D2/502

D707,466 S * 6/2014 Lancaster D6/603

D707,470 S * 6/2014 George D6/608

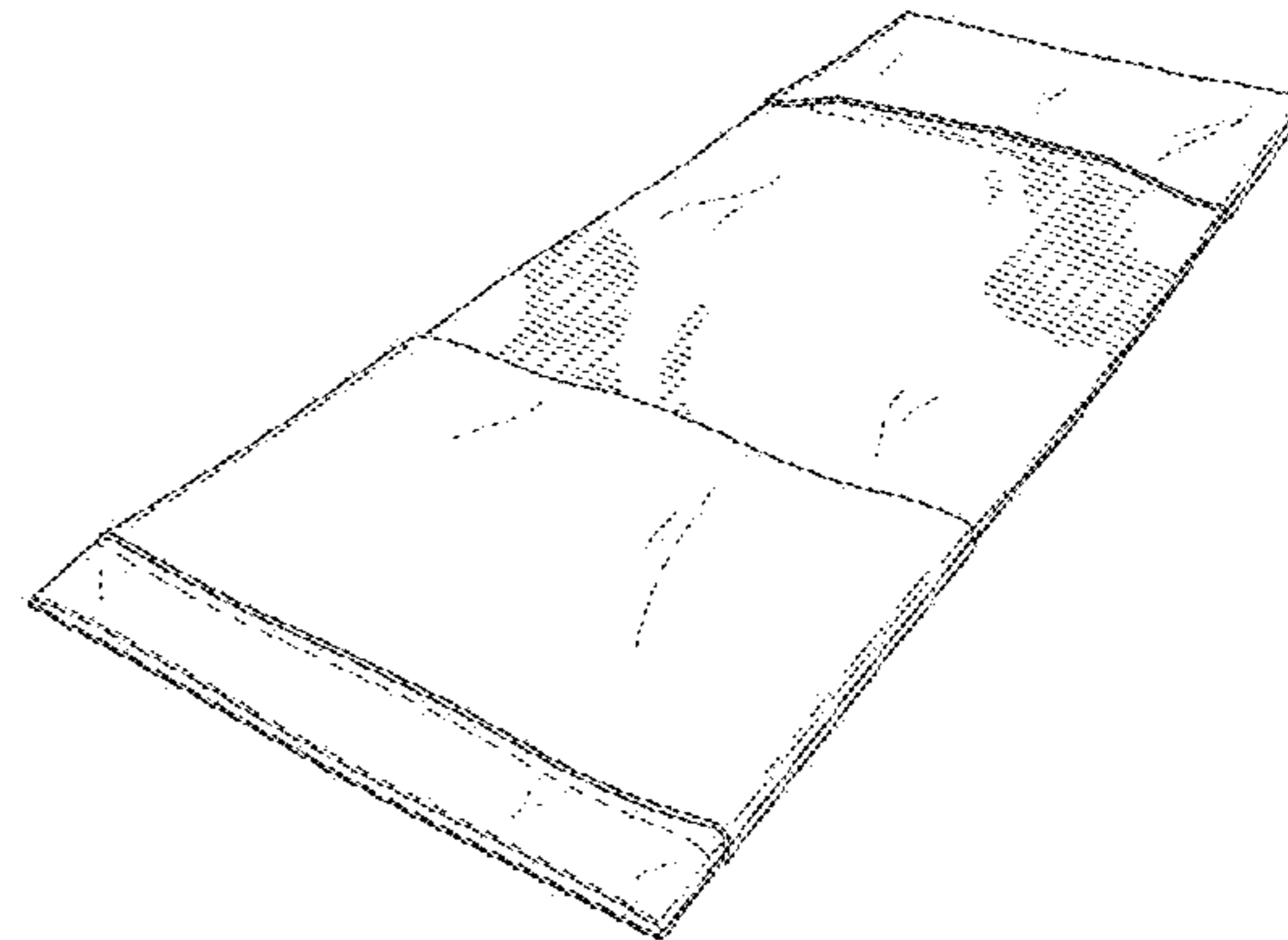
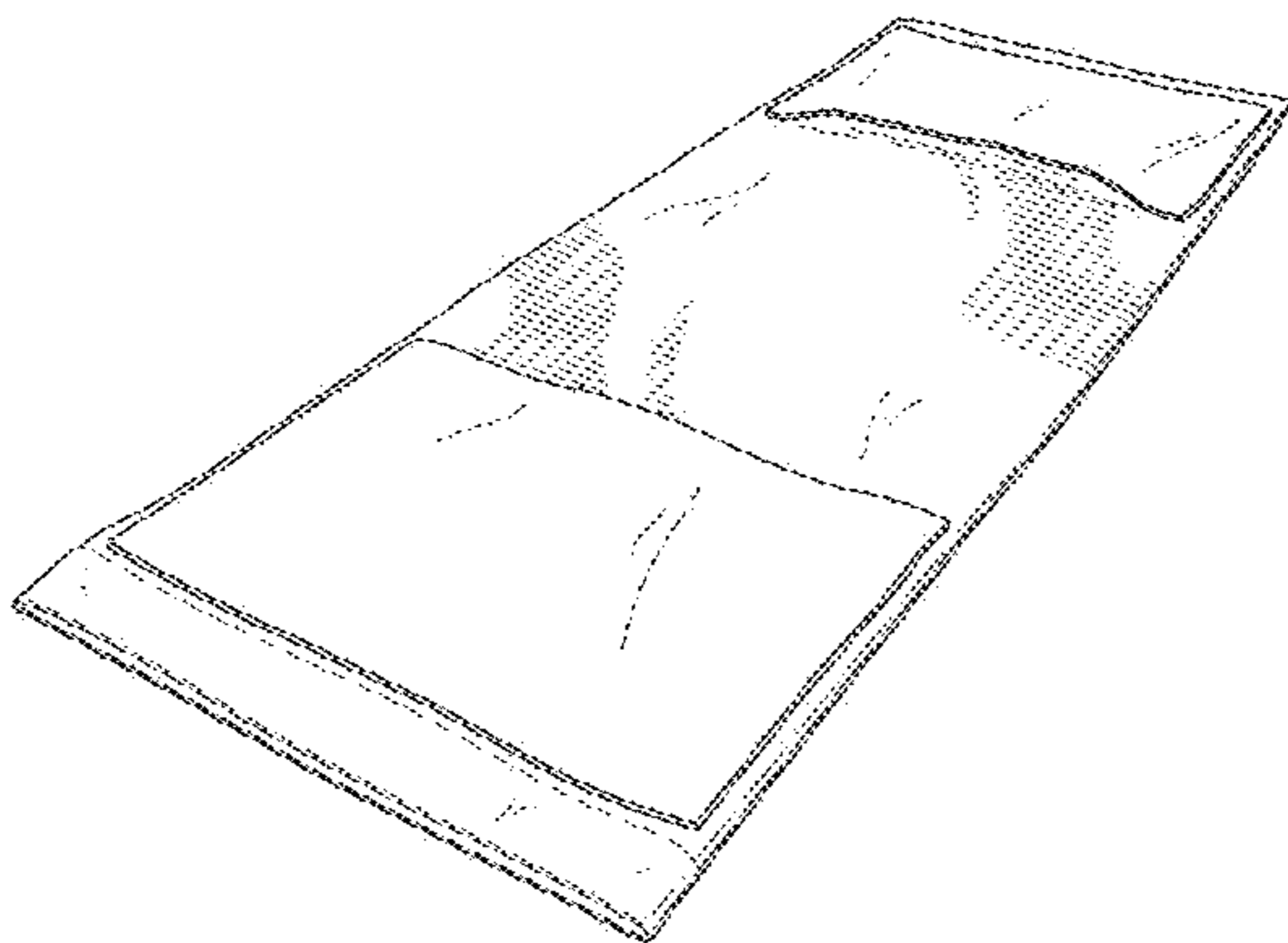
D727,662 S * 4/2015 Lazaroff D6/599

D737,598 S * 9/2015 Garcia D6/601

2013/0198956 A1* 8/2013 Khan A47G 9/0223
5/498

In the drawings, the broken lines showing a user in FIGS. 7 and 14 form no part of the claimed design.

1 Claim, 12 Drawing Sheets



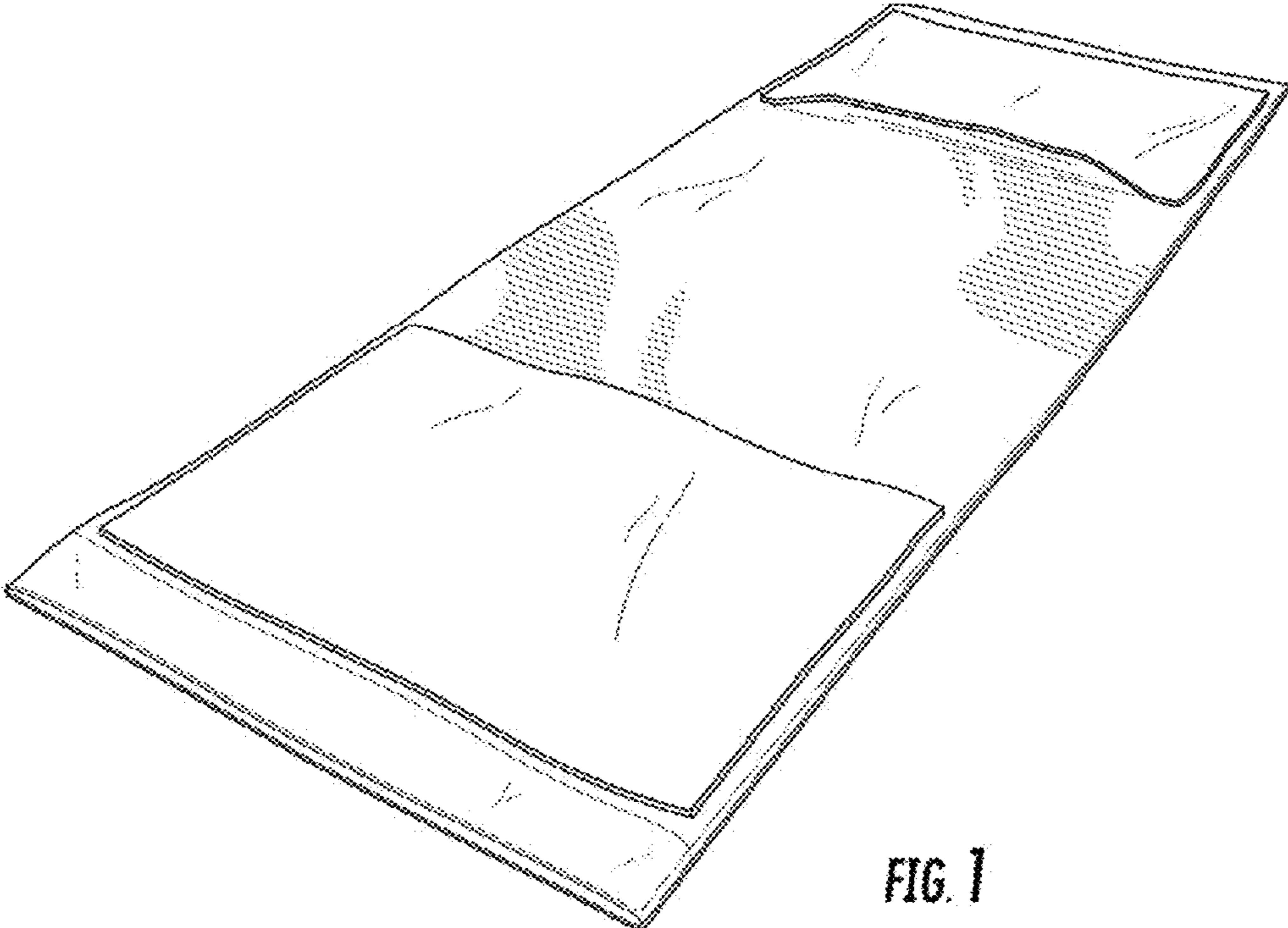


FIG. 1

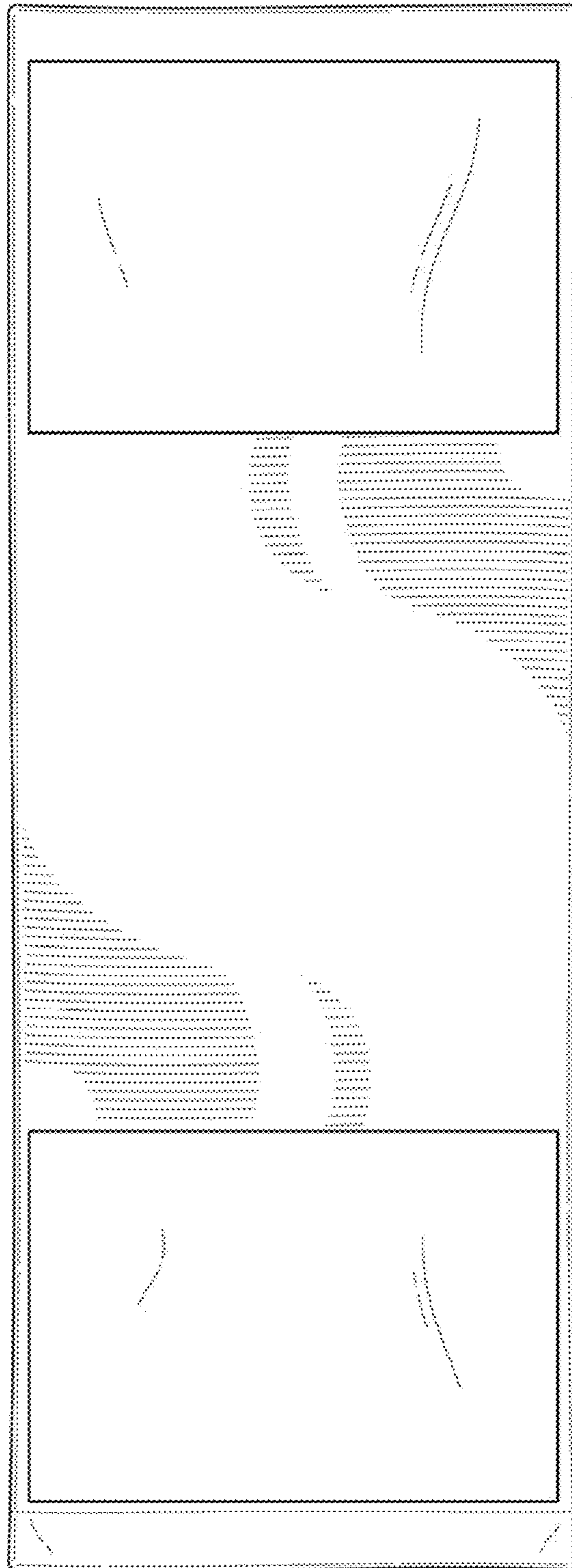


FIG. 2

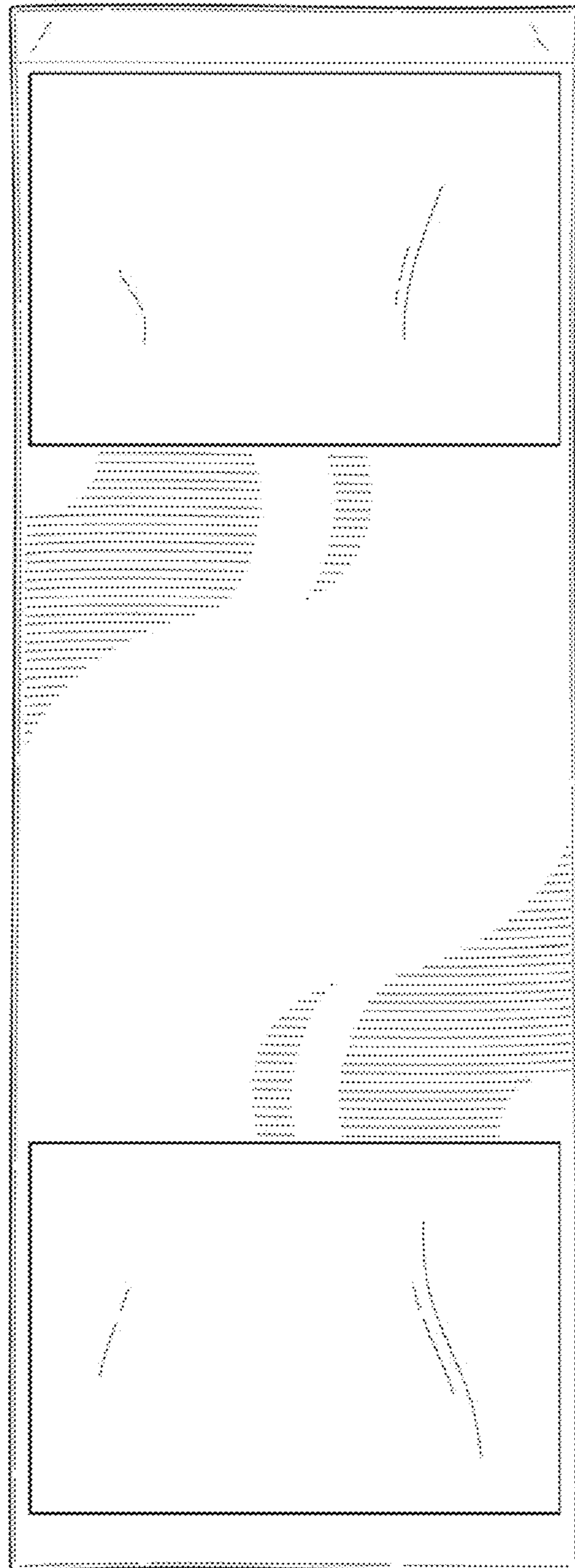
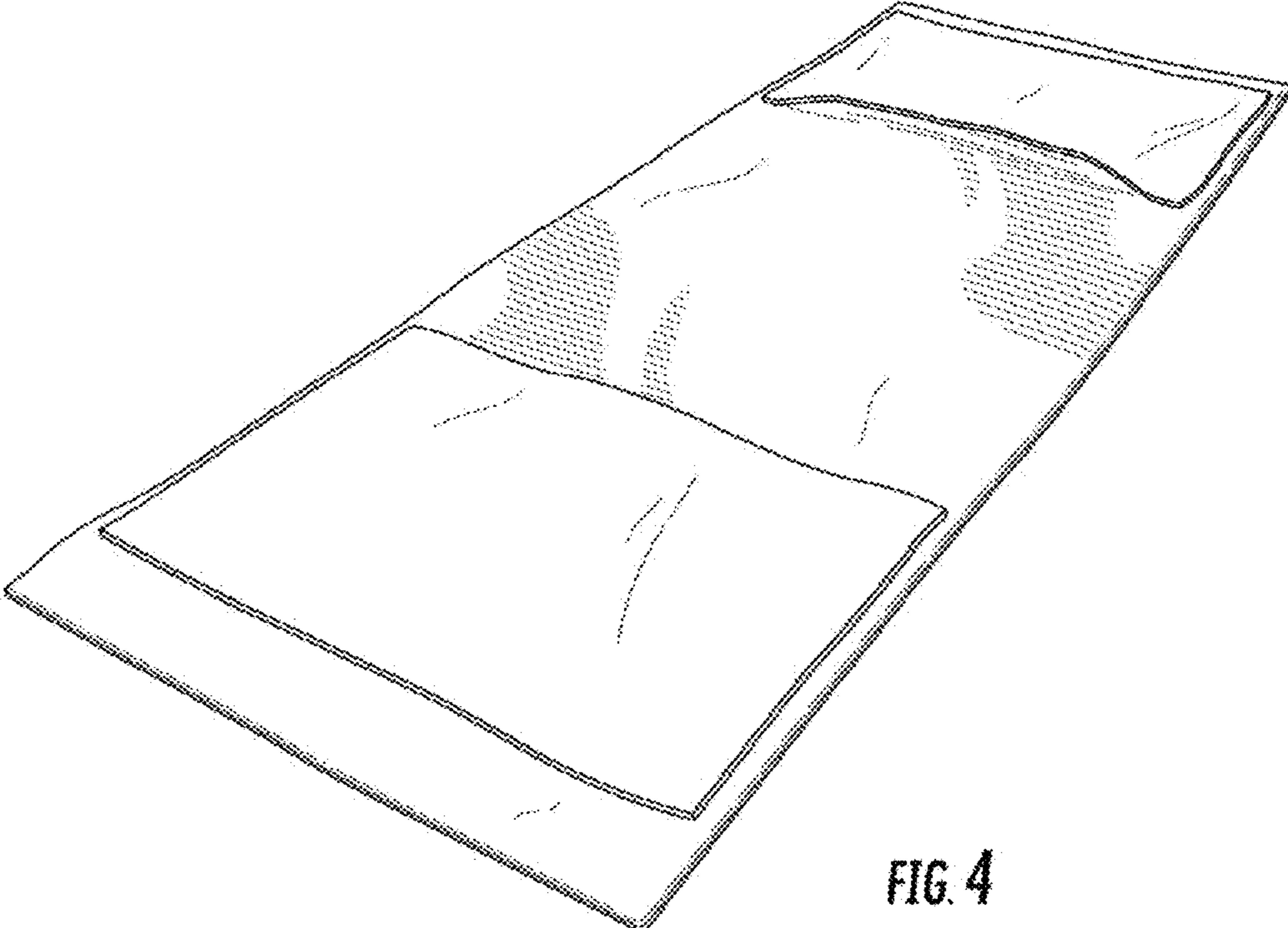


FIG. 3



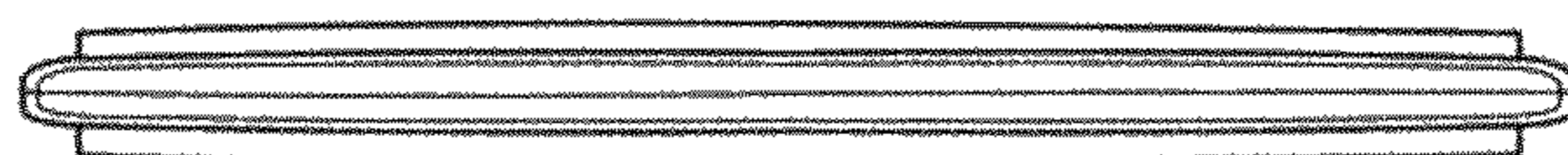


FIG. 5

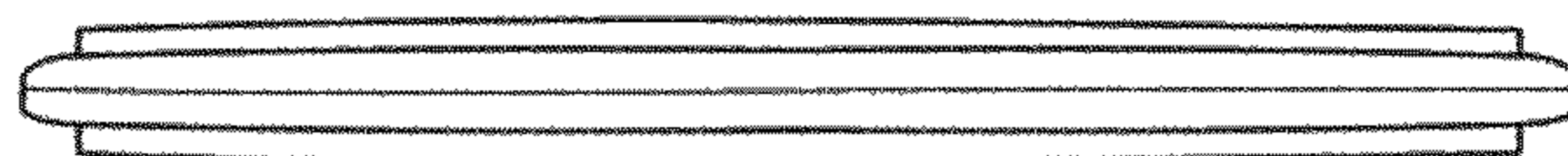


FIG. 6

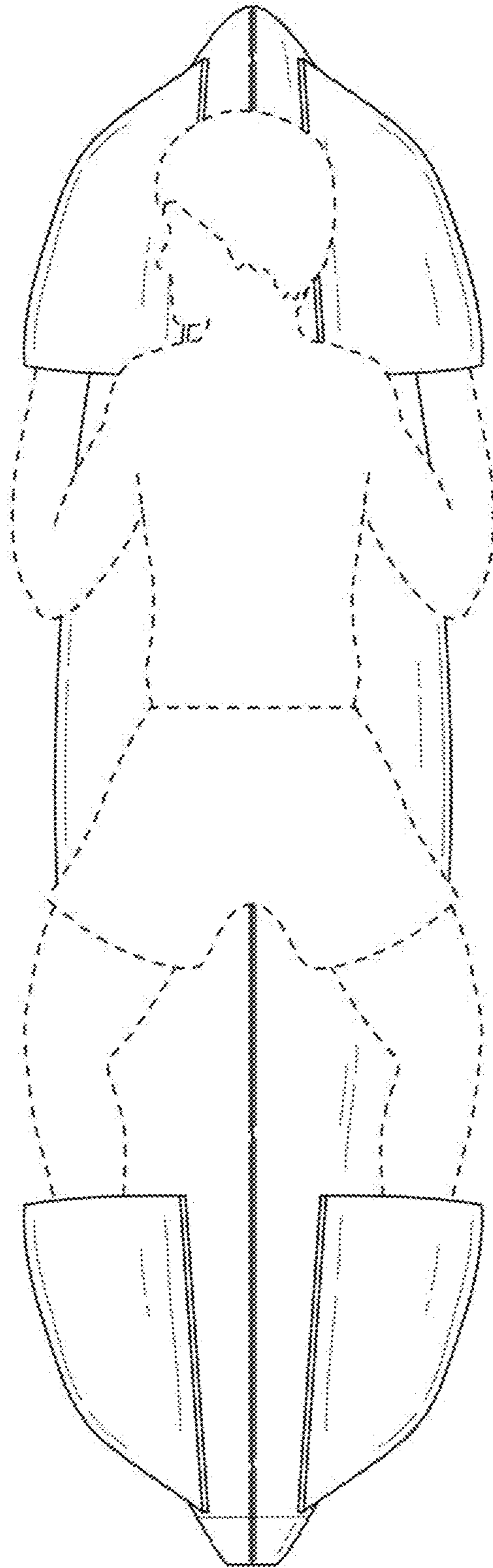


FIG 7

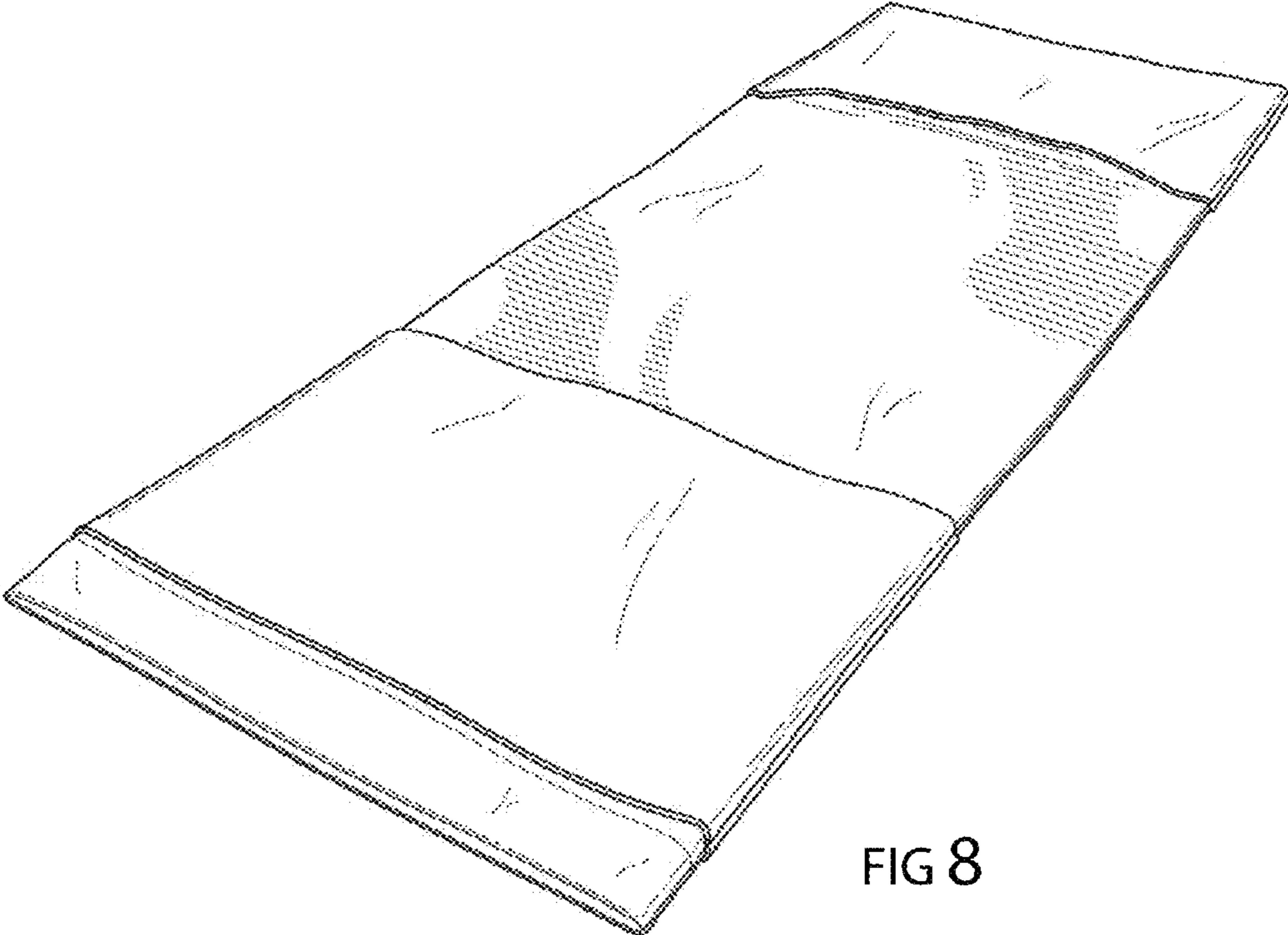


FIG 8

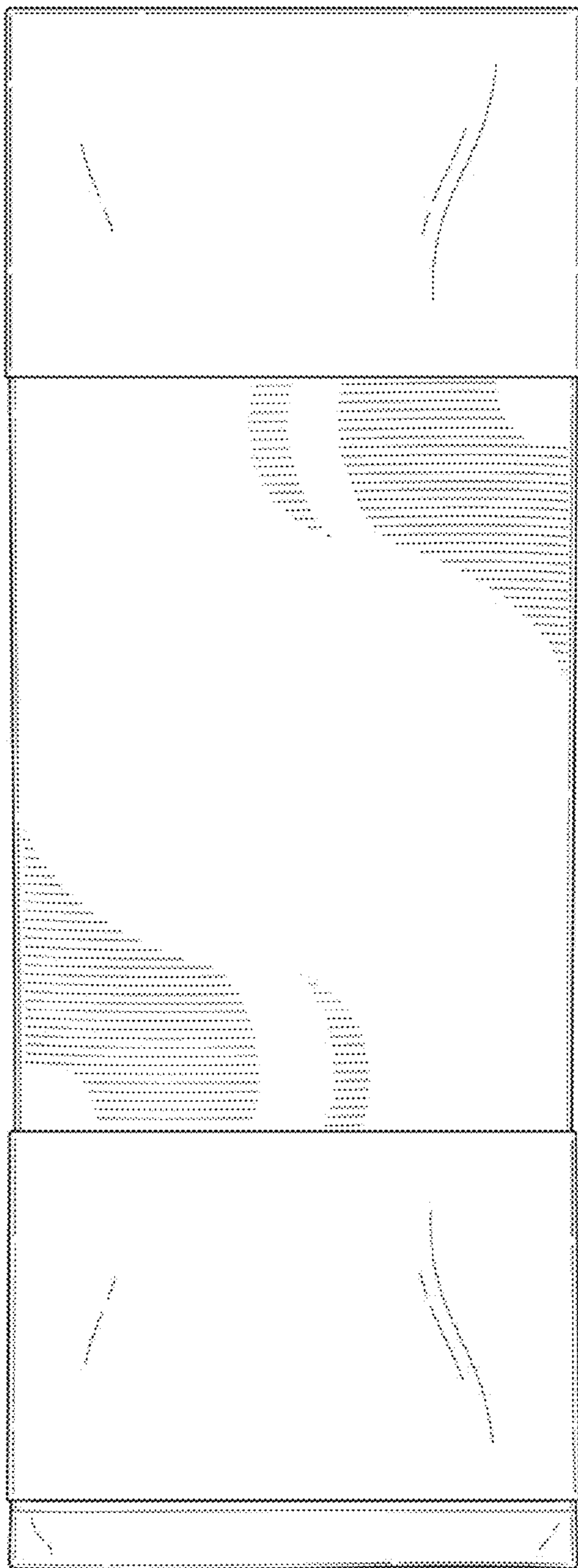


FIG 9

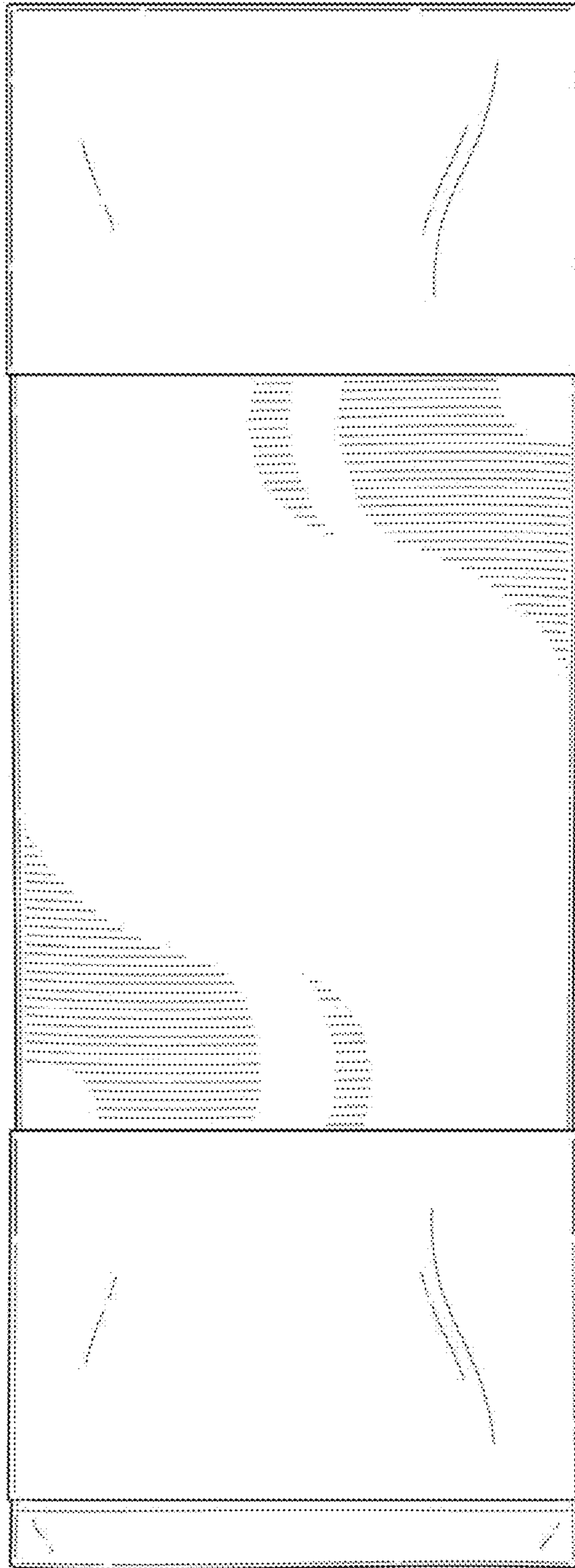


FIG. 10

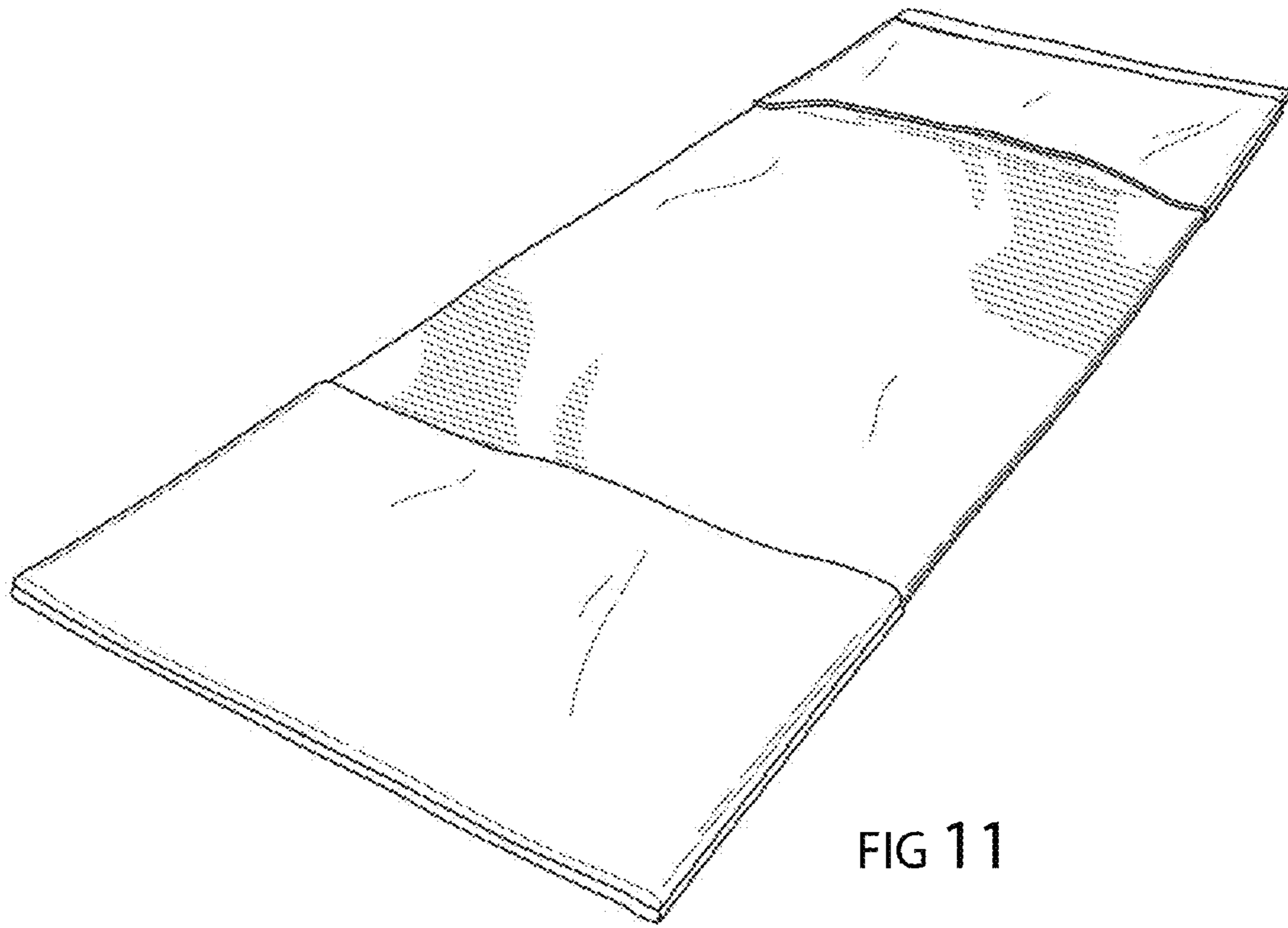


FIG 11



FIG 12

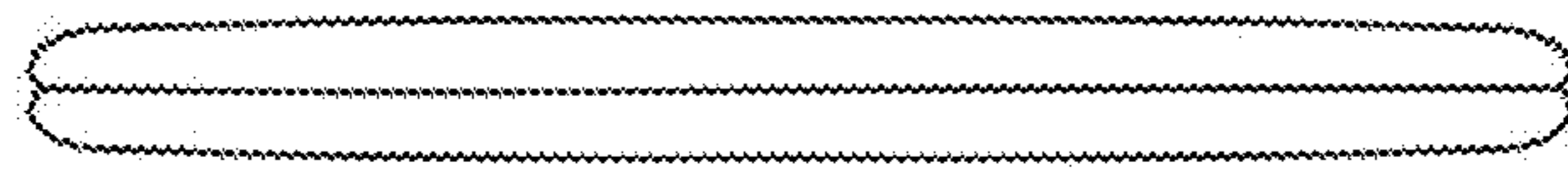


FIG 13

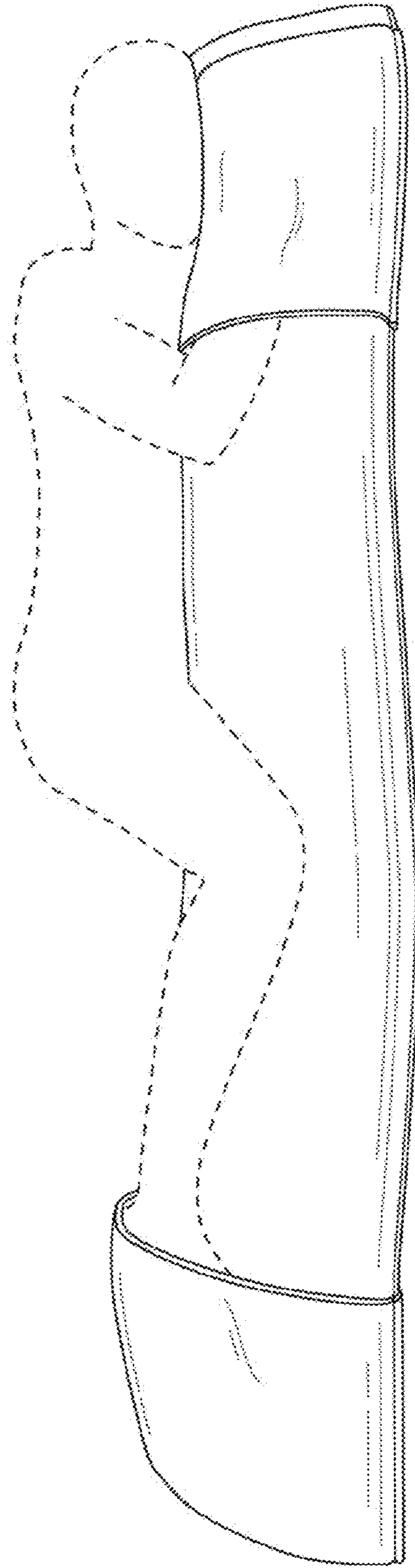


FIG 14