



US00D752360S

(12) **United States Design Patent**  
**Hadley**

(10) **Patent No.:** **US D752,360 S**

(45) **Date of Patent:** **\*\* Mar. 29, 2016**

(54) **COMBINED SUPPORT PILLOW AND CASE**

(71) Applicant: **Sandra Hadley**, Quitman, GA (US)

(72) Inventor: **Sandra Hadley**, Quitman, GA (US)

(\*\*) Term: **14 Years**

(21) Appl. No.: **29/500,892**

(22) Filed: **Aug. 29, 2014**

(51) **LOC (10) Cl.** ..... **06-09**

(52) **U.S. Cl.**

USPC ..... **D6/601**

(58) **Field of Classification Search**

USPC ..... D6/392, 595-601, 604; D21/803, 804;  
D24/183

CPC ..... A47C 7/12; A47C 7/021; A47C 7/383;  
A47C 7/428; A47C 7/546; A47C 16/00;  
A47C 20/00; A47C 20/02; A47C 20/021;  
A47C 20/026; A47C 20/027; A47C 1/146;  
A47C 27/001; A47C 27/081; A47G 9/00;  
A47G 9/10; A47G 9/07; A47G 9/1027;  
A47G 9/1045; A47G 9/1054; A47G 9/1063;  
A47G 9/1072; A47G 9/1081; A47G 9/109;  
A47D 13/00; A47D 13/08; A47K 3/125

See application file for complete search history.

(56) **References Cited**

**U.S. PATENT DOCUMENTS**

1,447,288 A \* 3/1923 Emmerich ..... A47G 9/10  
5/645  
1,721,571 A \* 7/1929 Miller ..... A47K 3/125  
248/206.4  
2,577,595 A \* 12/1951 Tobias ..... A47G 9/109  
5/632  
4,756,035 A \* 7/1988 Beier ..... A47G 9/1081

5/640  
D339,479 S \* 9/1993 Anderson ..... D6/382  
D392,491 S \* 3/1998 Tidwell ..... D6/601  
D410,810 S \* 6/1999 Lozier ..... 5/636  
6,151,733 A \* 11/2000 Takashima ..... A47G 9/007  
5/636  
6,601,252 B1 \* 8/2003 Leach ..... A47C 1/146  
5/420  
D637,435 S \* 5/2011 Lovinger ..... D6/601  
D696,529 S \* 12/2013 Crawford ..... D6/601  
D702,460 S \* 4/2014 Unger ..... D6/601  
2006/0123547 A1 \* 6/2006 Ferber ..... A47G 9/10  
5/636

**FOREIGN PATENT DOCUMENTS**

AU 103686 S \* 4/1989

\* cited by examiner

*Primary Examiner* — Mary Ann Calabrese

(74) *Attorney, Agent, or Firm* — Robert C. Montgomery;  
Montgomery Patent & Design

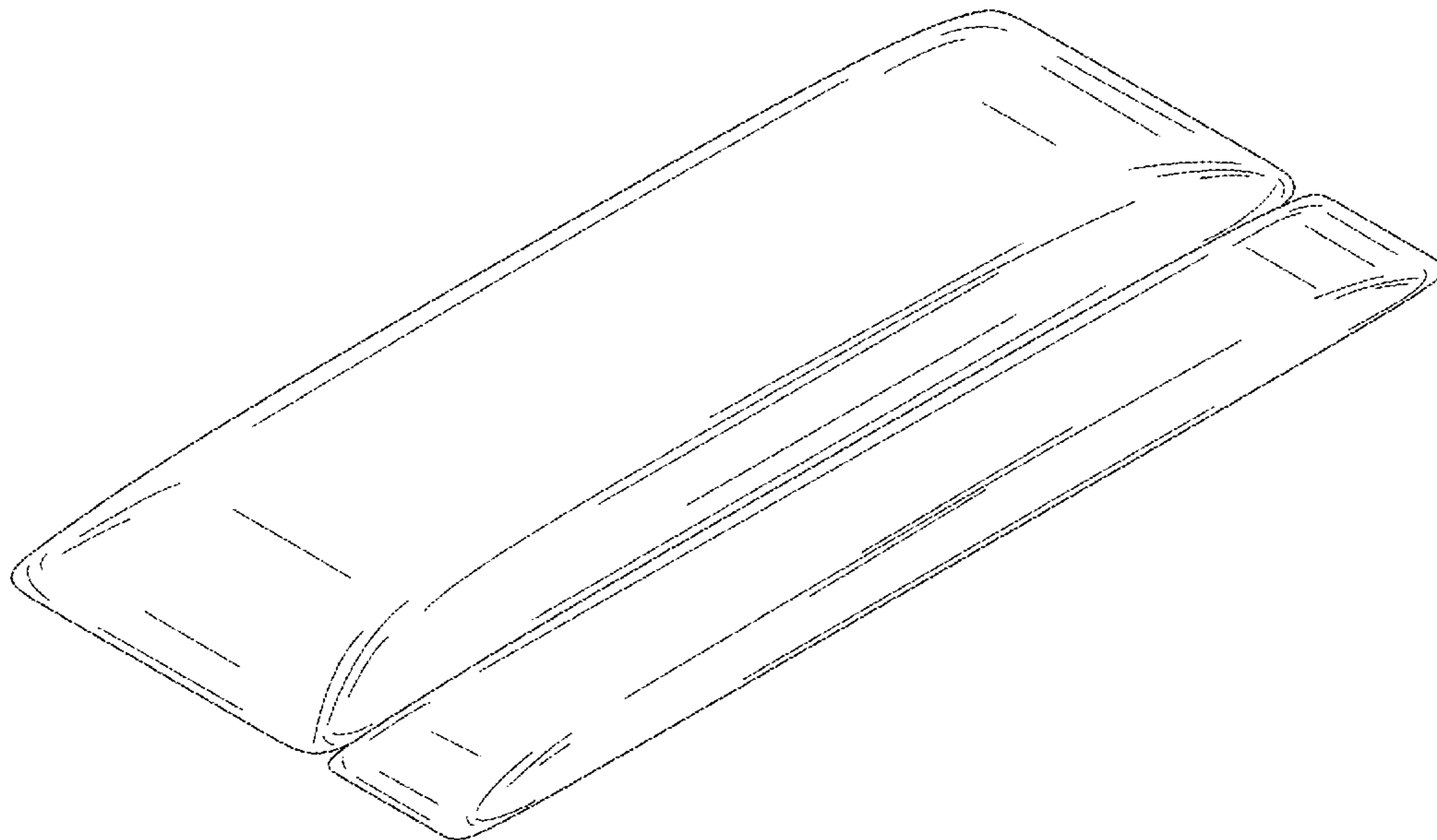
(57) **CLAIM**

The ornamental design for a combined support pillow and case, as shown and described.

**DESCRIPTION**

FIG. 1 is a perspective front view of the combined support pillow and case, showing my new design;  
FIG. 2 is a front view thereof;  
FIG. 3 is a back view thereof;  
FIG. 4 is a left side view thereof, wherein a right side view is a mirror image thereof; and,  
FIG. 5 is a top view thereof, wherein a bottom view is a mirror image thereof.

**1 Claim, 5 Drawing Sheets**



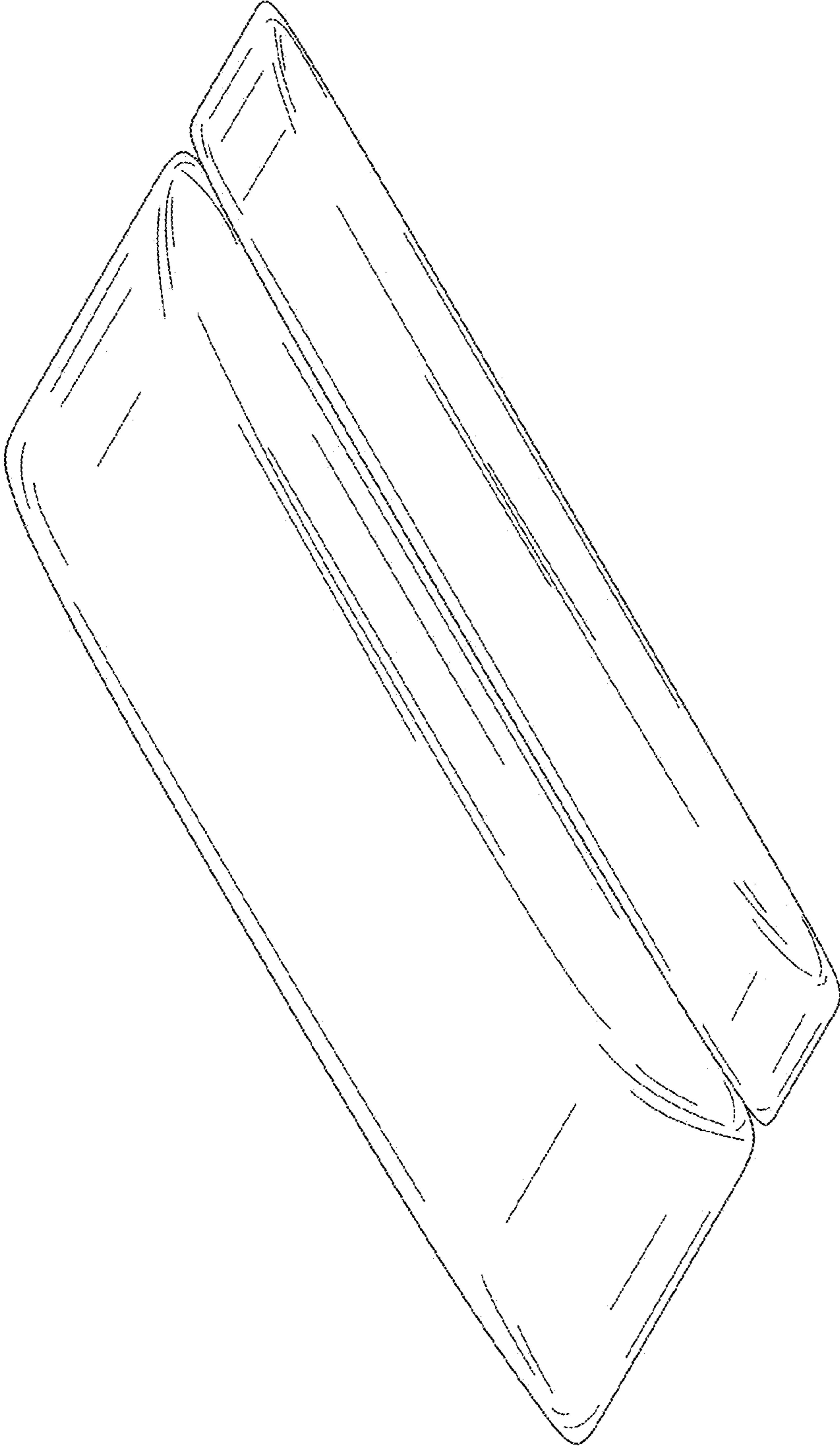


Fig. 1



Fig. 2

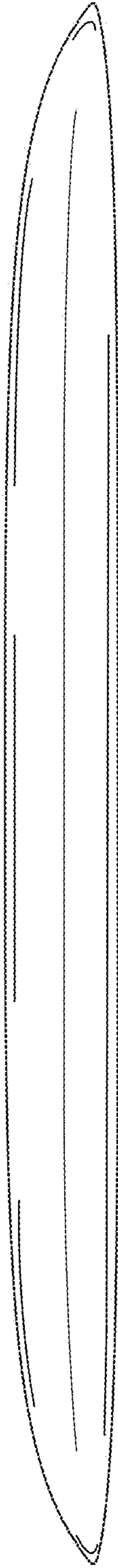


Fig. 3

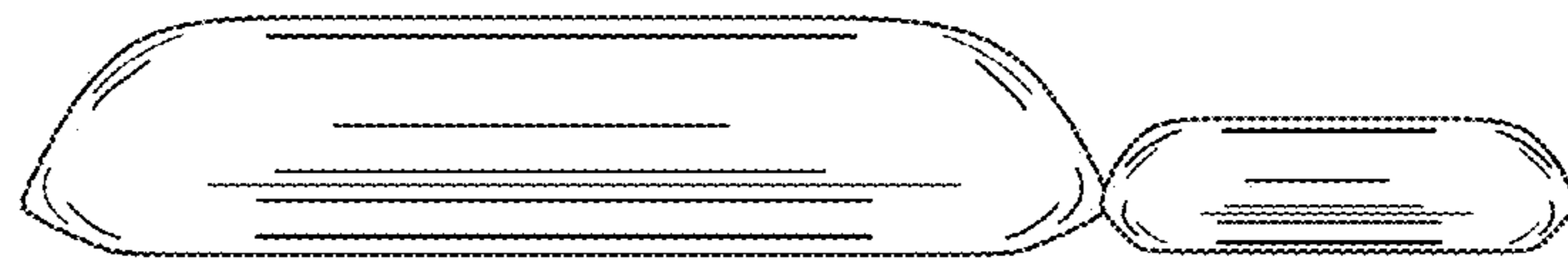


Fig. 4

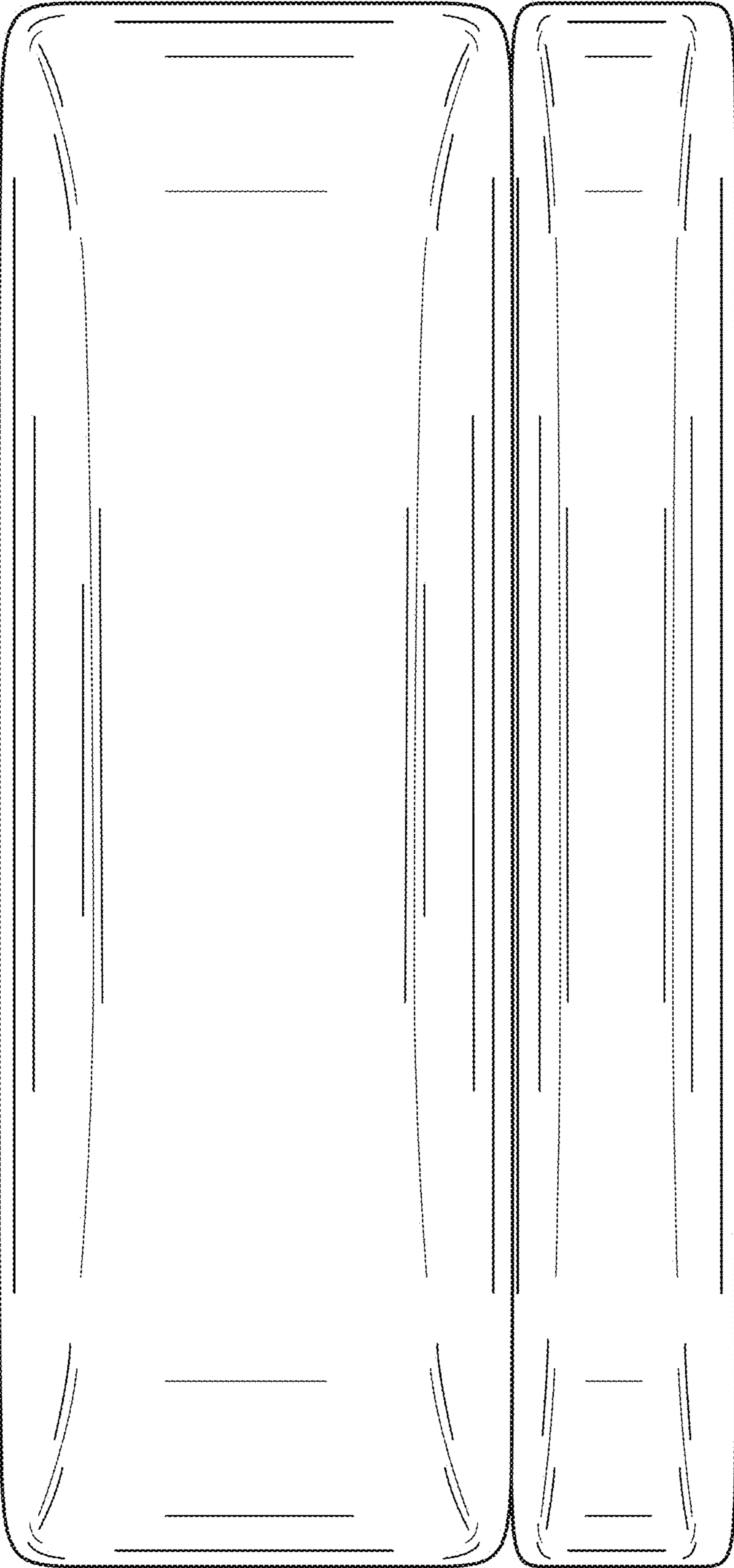


Fig. 5