



US00D752356S

(12) **United States Design Patent**
Tiet

(10) **Patent No.:** **US D752,356 S**
(45) **Date of Patent:** **** Mar. 29, 2016**

- (54) **CHAIR**
- (71) Applicant: **Kien C. Tiet**, City Of Industry, CA (US)
- (72) Inventor: **Kien C. Tiet**, City Of Industry, CA (US)
- (**) Term: **14 Years**
- (21) Appl. No.: **29/516,659**
- (22) Filed: **Feb. 4, 2015**
- (51) **LOC (10) Cl.** **06-01**
- (52) **U.S. Cl.**
USPC **D6/380; D6/374**
- (58) **Field of Classification Search**
USPC D6/334–336, 370, 374, 375, 376, 379,
D6/380, 716, 716.1, 376.2, 376.3, 716.4
CPC A47C 3/04; A47C 4/02; A47C 4/03;
A47C 7/16
See application file for complete search history.

- D482,206 S 11/2003 Ciabatti
- D487,642 S 3/2004 Lucci
- D490,994 S 6/2004 Schmitz
- D492,496 S 7/2004 Lucci
- D494,789 S 8/2004 Brown
- D495,905 S 9/2004 Lucci
- D507,423 S 7/2005 Beaulieu
- D513,134 S 12/2005 Asano
- D518,656 S * 4/2006 Van Hooydonk D6/380
- D523,652 S 6/2006 Bell
- D532,212 S 11/2006 Bell
- D541,068 S * 4/2007 Foster D6/374
- D586,577 S 2/2009 Koh
- D593,337 S 6/2009 Su
- D594,669 S 6/2009 Asano
- D597,757 S * 8/2009 Barbieri D6/374
- D599,129 S 9/2009 Opsvik
- D600,936 S 9/2009 Koh
- D607,661 S * 1/2010 Chadwick D6/380
- D609,025 S 2/2010 Barry
- D613,084 S 4/2010 Wilkinson
- D614,417 S 4/2010 Domack
- D616,213 S 5/2010 Parker
- D618,469 S 6/2010 Romero
- D637,839 S 5/2011 Piretti

(Continued)

(56) **References Cited**

U.S. PATENT DOCUMENTS

- D207,778 S 5/1967 Rogers
- D219,032 S * 10/1970 Christensen, Jr. D6/374
- D235,829 S * 7/1975 Dransart D6/375
- D323,249 S 1/1992 Schwartz
- D413,739 S 9/1999 Wilson
- D420,828 S 2/2000 Bertoni
- D431,385 S * 10/2000 Barile D6/370
- D431,725 S * 10/2000 Barile D6/380
- D457,008 S 5/2002 Grosfillex
- D457,344 S 5/2002 Grosfillex
- D461,322 S 8/2002 Holbrook
- D462,535 S 9/2002 Lucci
- D465,100 S * 11/2002 Savini D6/375
- D467,445 S 12/2002 Saffell
- D469,619 S 2/2003 Stewart
- D471,370 S 3/2003 Schmitz
- D475,211 S 6/2003 Neil
- D475,212 S * 6/2003 Savini D6/374
- D477,925 S 8/2003 Lucci

Primary Examiner — Mimosa De

(74) *Attorney, Agent, or Firm* — Michael N. Cohen; Cohen IP Law Group P.C.

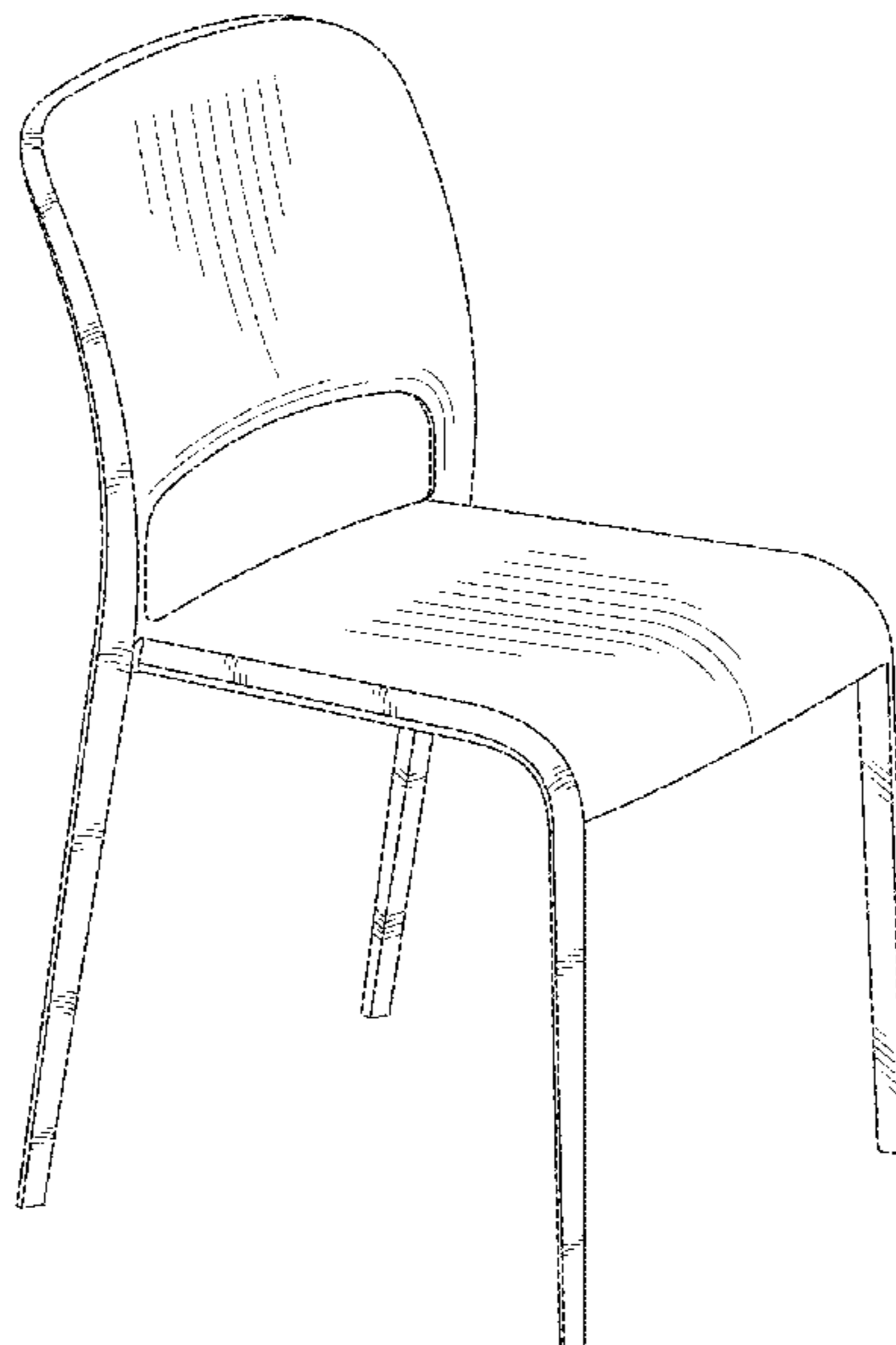
(57) **CLAIM**

I claim the ornamental design for the chair, as shown and described.

DESCRIPTION

FIG. 1 is a perspective view of the chair;
FIG. 2 is a side view of FIG. 1;
FIG. 3 is a front view of FIG. 1;
FIG. 4 is a rear view of FIG. 1;
FIG. 5 is a top view of FIG. 1; and,
FIG. 6 is a bottom view of FIG. 1.

1 Claim, 6 Drawing Sheets



(56)

References Cited

U.S. PATENT DOCUMENTS

D638,230 S 5/2011 Roy
D638,232 S 5/2011 Roy
D638,641 S 5/2011 Piretti
D642,819 S 8/2011 Piretti
D643,225 S 8/2011 Hurford
D643,653 S 8/2011 Piretti
D648,561 S 11/2011 Johansson
D648,564 S 11/2011 Johansson
D649,804 S 12/2011 Keller
D664,785 S 8/2012 Fletcher
D664,786 S 8/2012 Keller

D667,233 S 9/2012 Shokouhi
D668,883 S 10/2012 Koh
D673,395 S 1/2013 Piretti
D680,770 S 4/2013 Hori
D686,032 S 7/2013 Glass
D686,832 S 7/2013 Hori
D686,833 S 7/2013 Chan
D687,237 S 8/2013 Pedersen
D687,642 S 8/2013 Hsuan-Chin
D689,297 S 9/2013 Su
D689,709 S 9/2013 Shokouhi
D689,710 S 9/2013 Shokouhi
D696,037 S 12/2013 Shokouhi

* cited by examiner

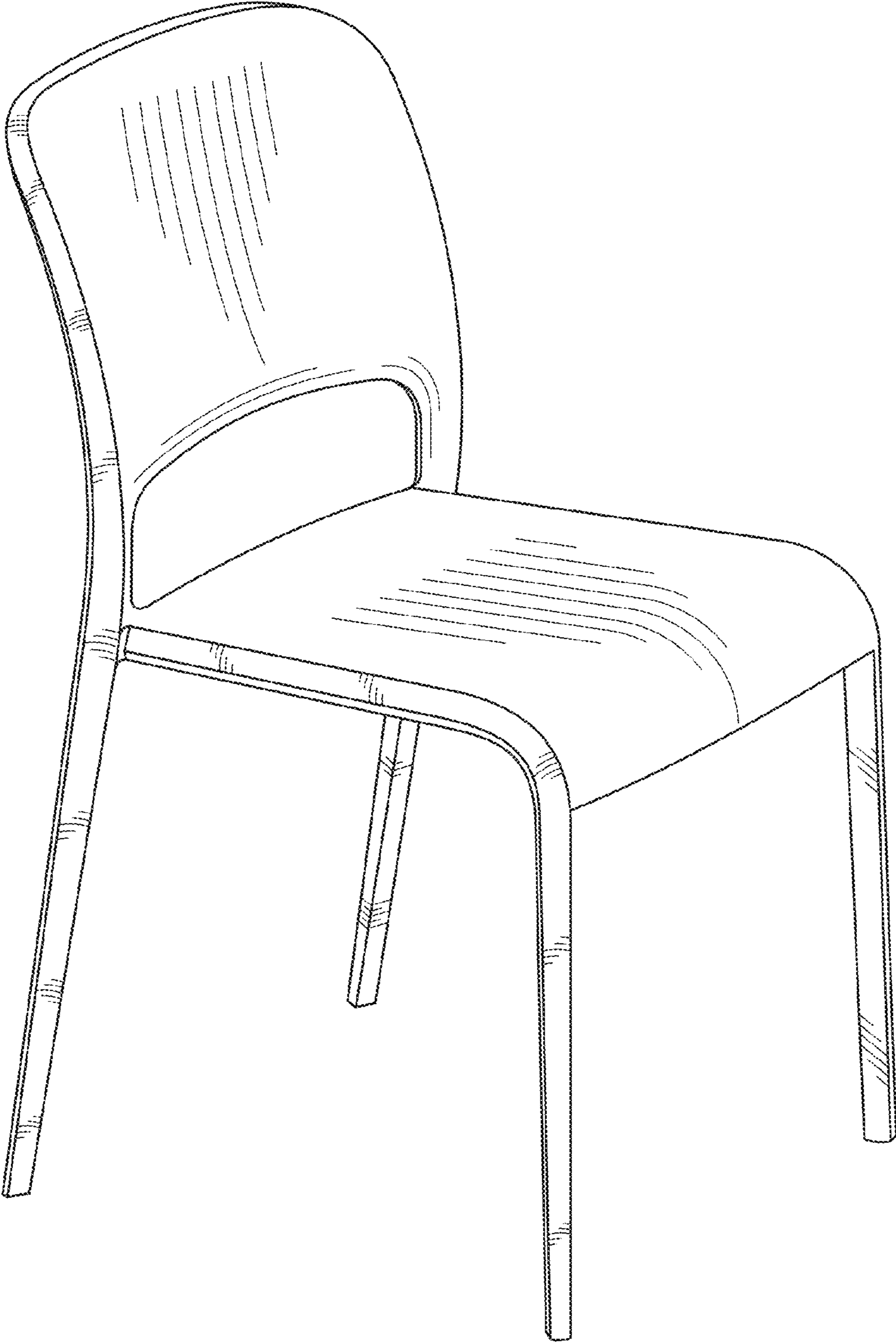


FIG. 1

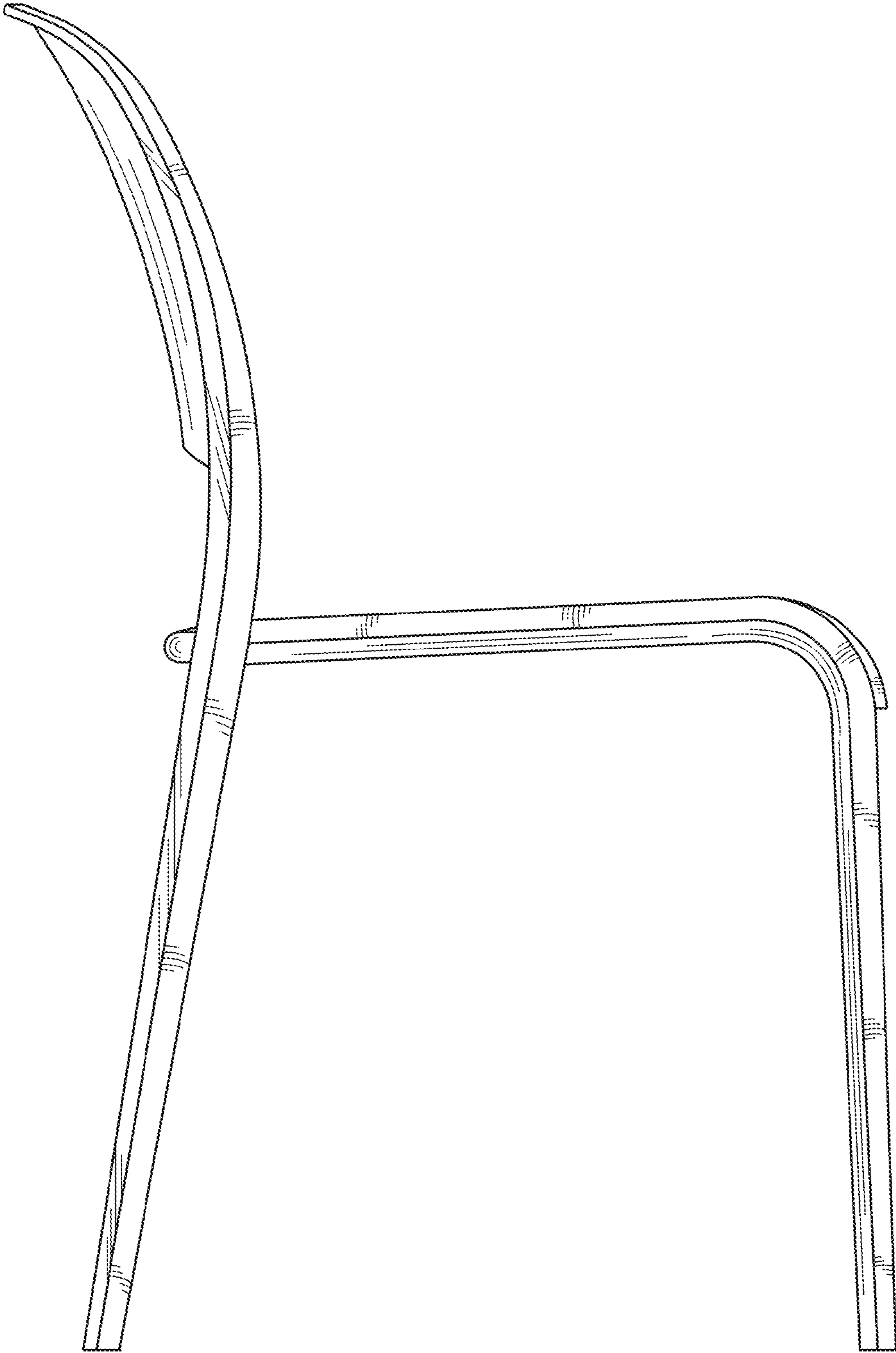


FIG. 2

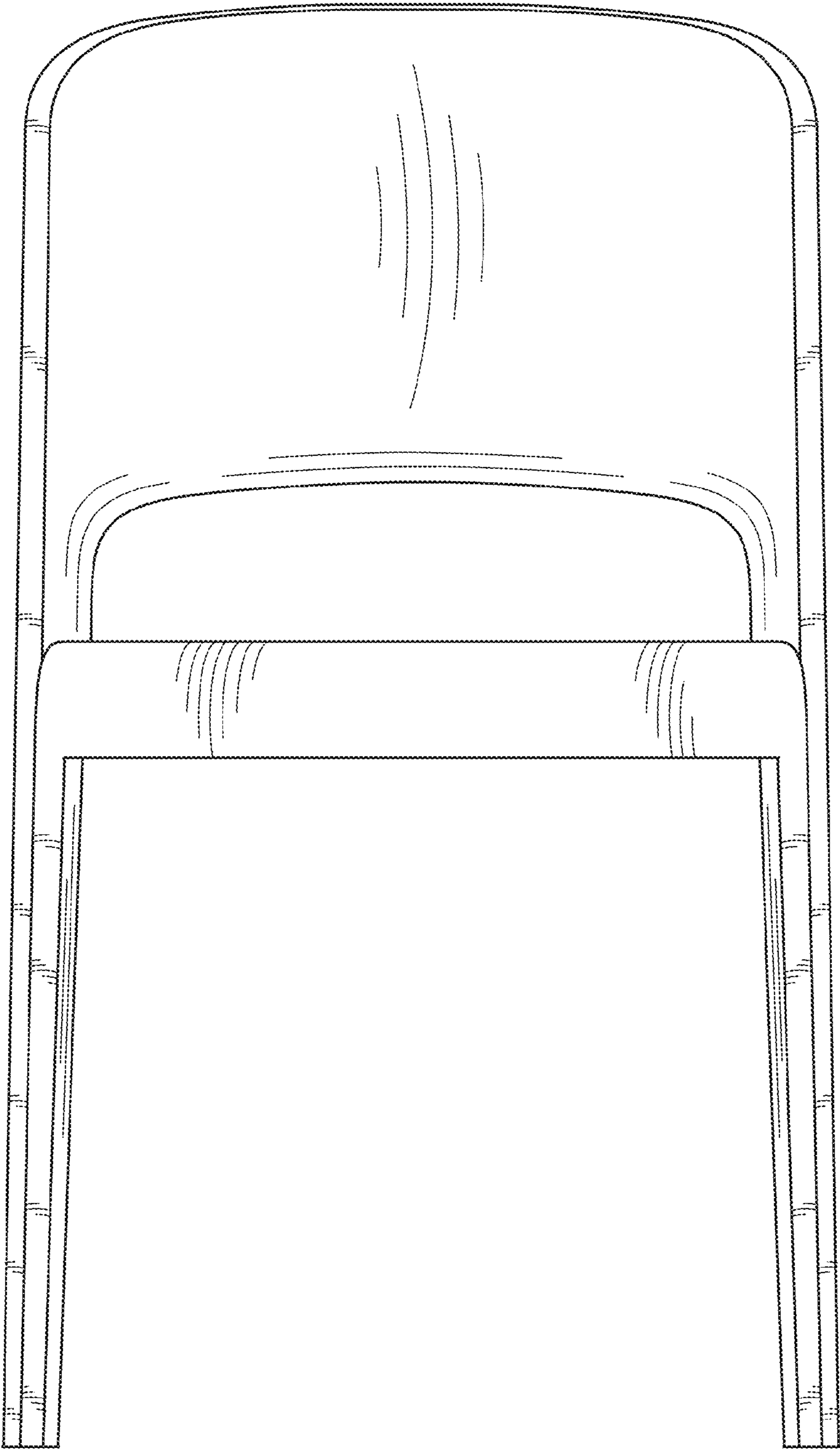


FIG. 3

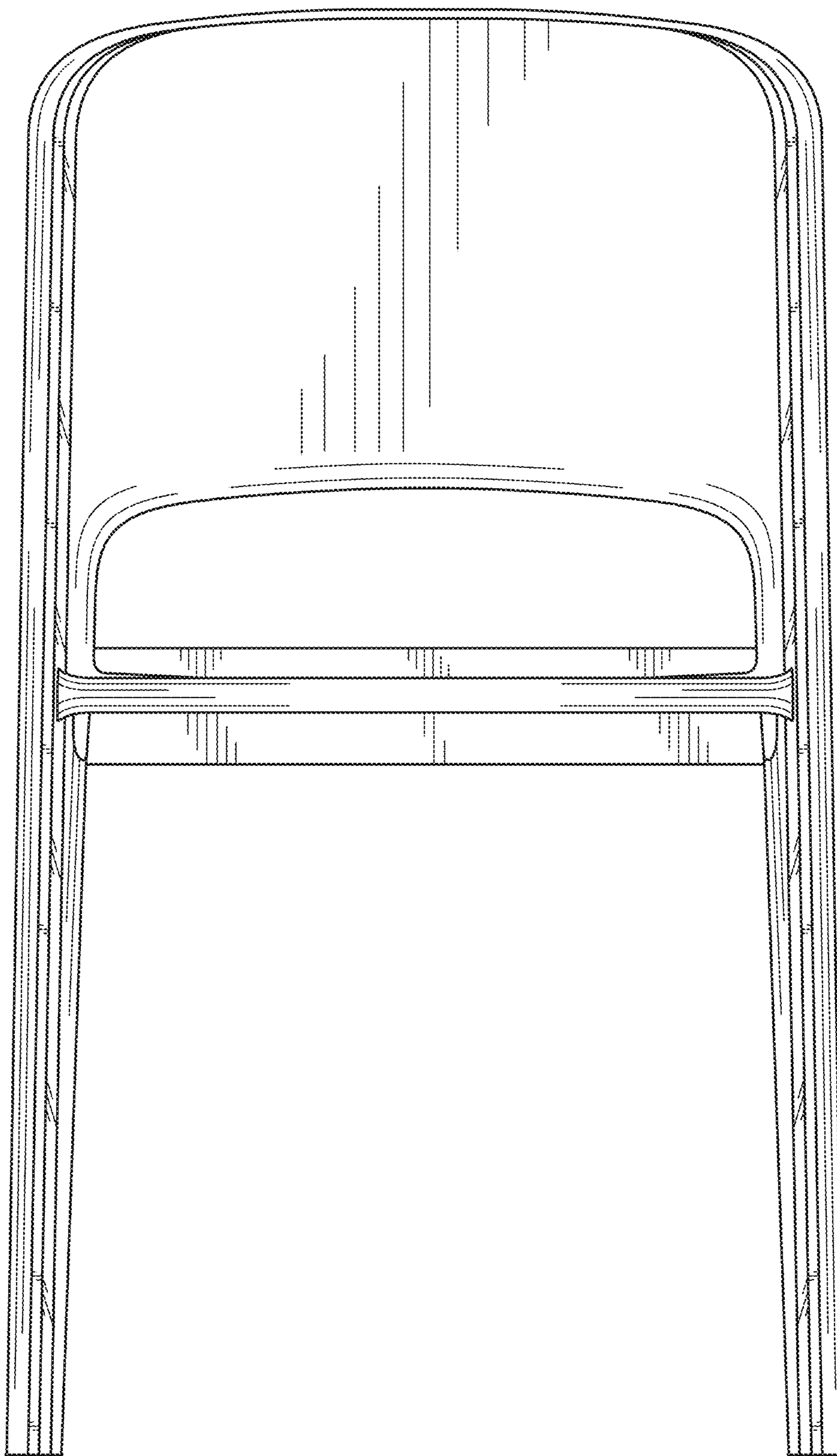


FIG. 4

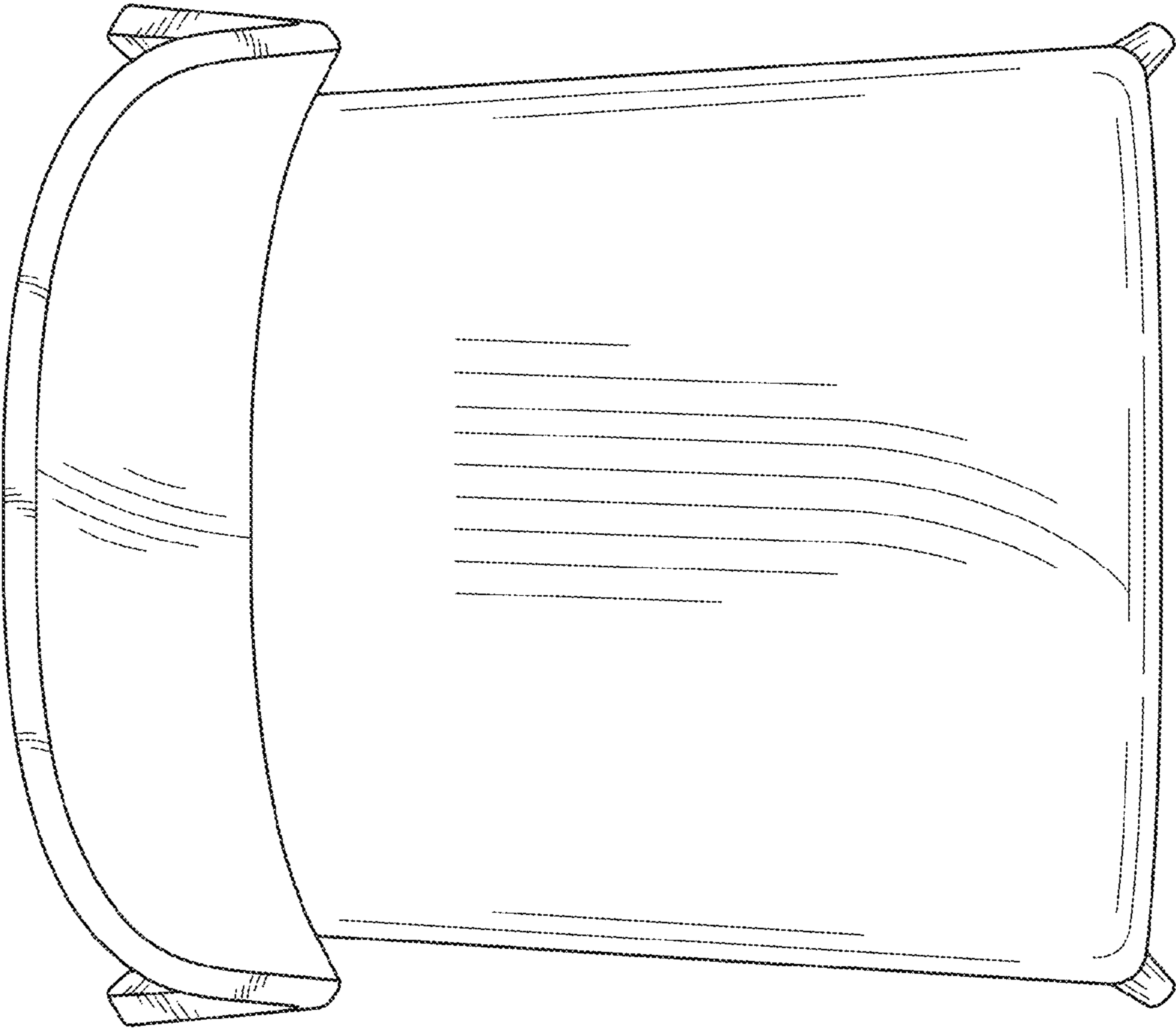


FIG. 5

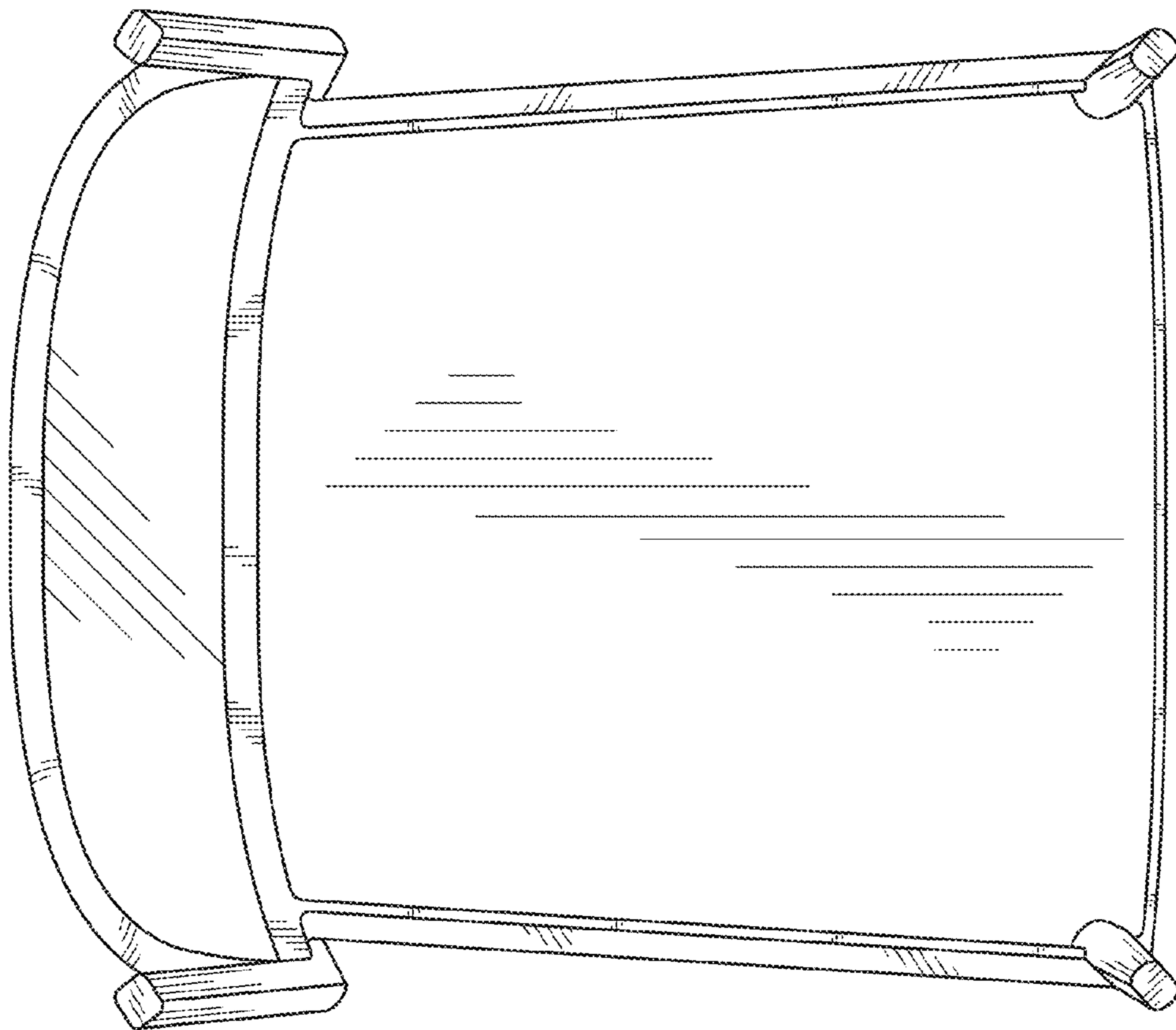


FIG. 6