

US00D752354S

(12) **United States Design Patent**  
**Fairbanks**

(10) **Patent No.:** **US D752,354 S**  
(45) **Date of Patent:** **\*\* Mar. 29, 2016**

- (54) **ADIRONDACK CHAIR**
- (71) Applicant: **COUNTRY CASUAL, INC.,**  
Gaithersburg, MD (US)
- (72) Inventor: **Madeline A. Fairbanks,** Bethesda, MD  
(US)
- (73) Assignee: **Country Casual Teak, Inc.,**  
Gaithersburg, MD (US)
- (\*\*) Term: **14 Years**
- (21) Appl. No.: **29/514,390**
- (22) Filed: **Jan. 12, 2015**
- (51) **LOC (10) Cl.** ..... **06-01**
- (52) **U.S. Cl.**  
USPC ..... **D6/370**
- (58) **Field of Classification Search**  
USPC ..... D6/334-336, 368, 370, 371-373, 374,  
D6/376, 379, 716, 716.1, 716.3, 716.4  
CPC ..... A47C 4/02; A47C 4/03; A47C 4/08;  
A47C 4/14; A47C 4/025; A47C 7/16; A47C  
7/22  
See application file for complete search history.

2,490,884 A *	12/1949	Rau	.....	A47C 4/03	297/31
2,600,626 A *	6/1952	Ellingson	.....	A47C 4/14	297/31
4,635,998 A *	1/1987	Hickey	.....	A47C 4/08	297/31
D295,927 S *	5/1988	Hickey	.....	D6/370	297/31
4,976,492 A *	12/1990	Ziegler	.....	A47C 4/14	297/31
5,120,071 A *	6/1992	Thibault	.....	A47C 1/14	297/DIG. 4
D350,860 S *	9/1994	Greeson	.....	D6/370	
D668,075 S *	10/2012	Mosley	.....	D6/335	
D679,917 S *	4/2013	Egbert	.....	D6/370	
D712,172 S *	9/2014	Saylor	.....	D6/370	

\* cited by examiner

*Primary Examiner* — Mimoso De

(74) *Attorney, Agent, or Firm* — Rosenberg, Klein & Lee

(57) **CLAIM**

The ornamental design of an adirondack chair, as shown and described.

**DESCRIPTION**

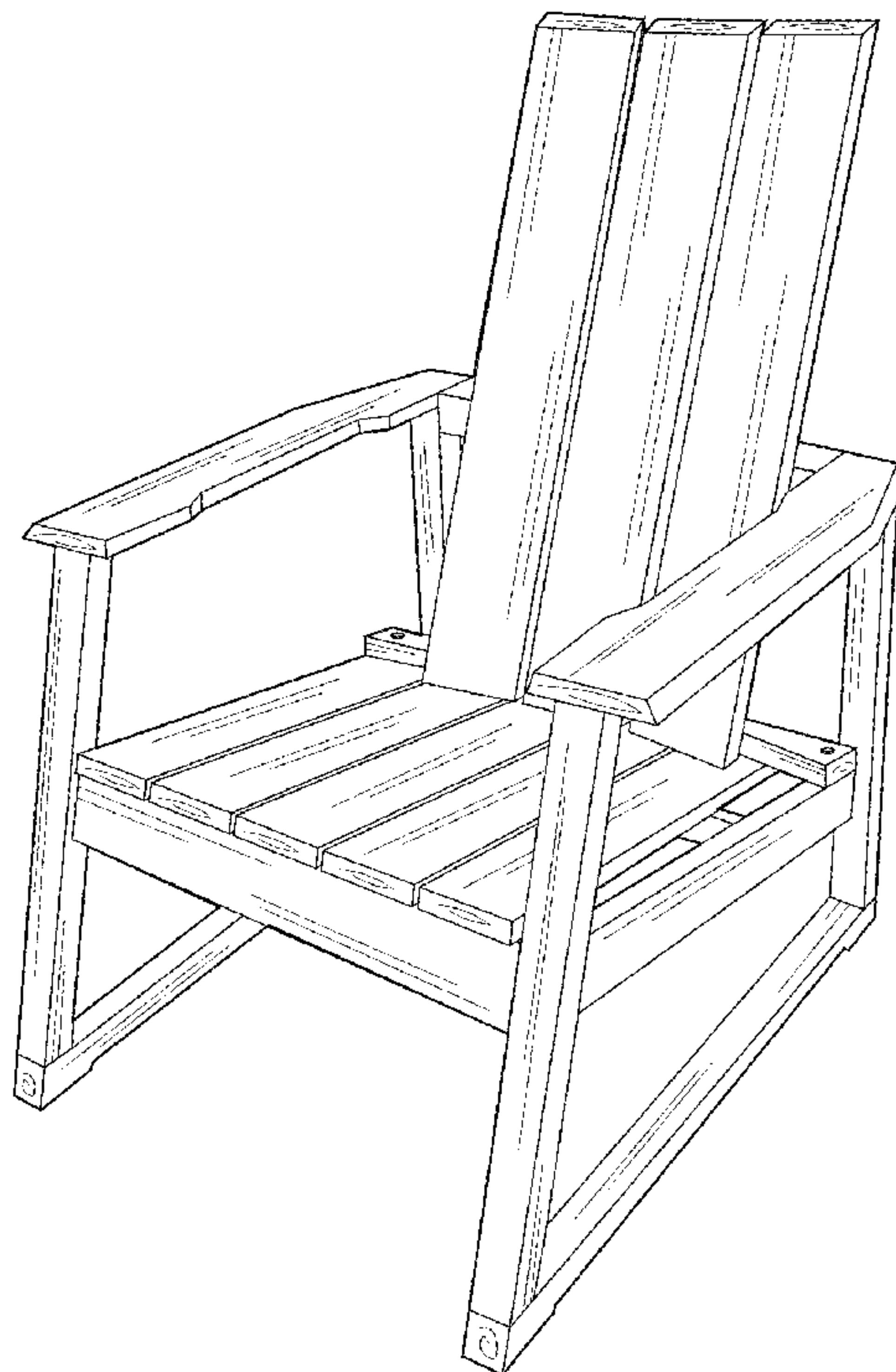
FIG. 1 is a frontal perspective view of the adirondack chair showing my new design;  
FIG. 2 is a right elevational view thereof;  
FIG. 3 is a front elevational view thereof;  
FIG. 4 is a bottom plan view thereof;  
FIG. 5 is a top plan view thereof and,  
FIG. 6 is a rear elevational view thereof.

**1 Claim, 6 Drawing Sheets**

(56) **References Cited**

**U.S. PATENT DOCUMENTS**

D68,027 S *	8/1925	Wurdack	.....	D6/370
D84,585 S *	7/1931	Ledder et al.	.....	D6/370
2,385,072 A *	9/1945	Gray	.....	A47C 4/14



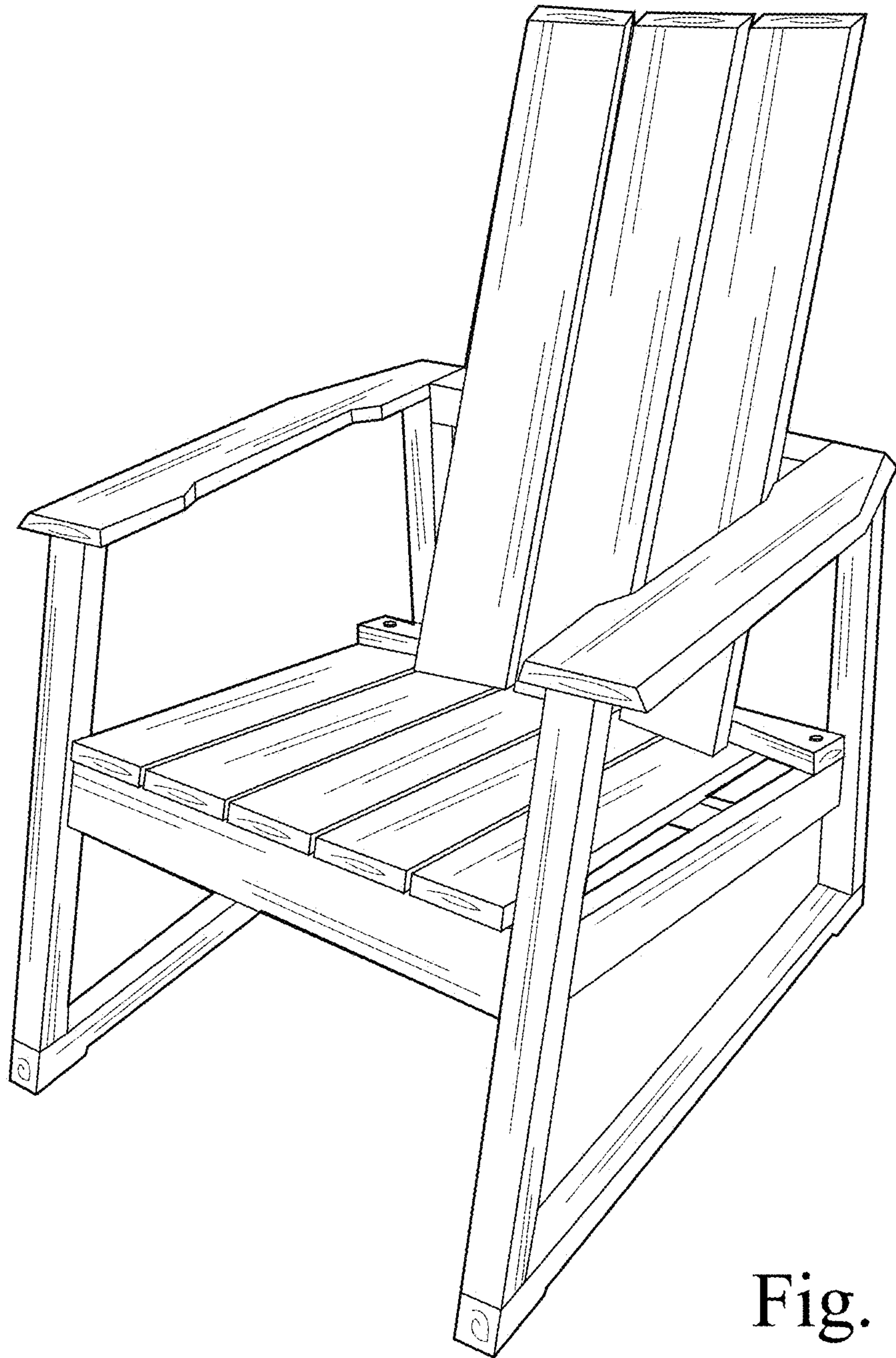


Fig. 1

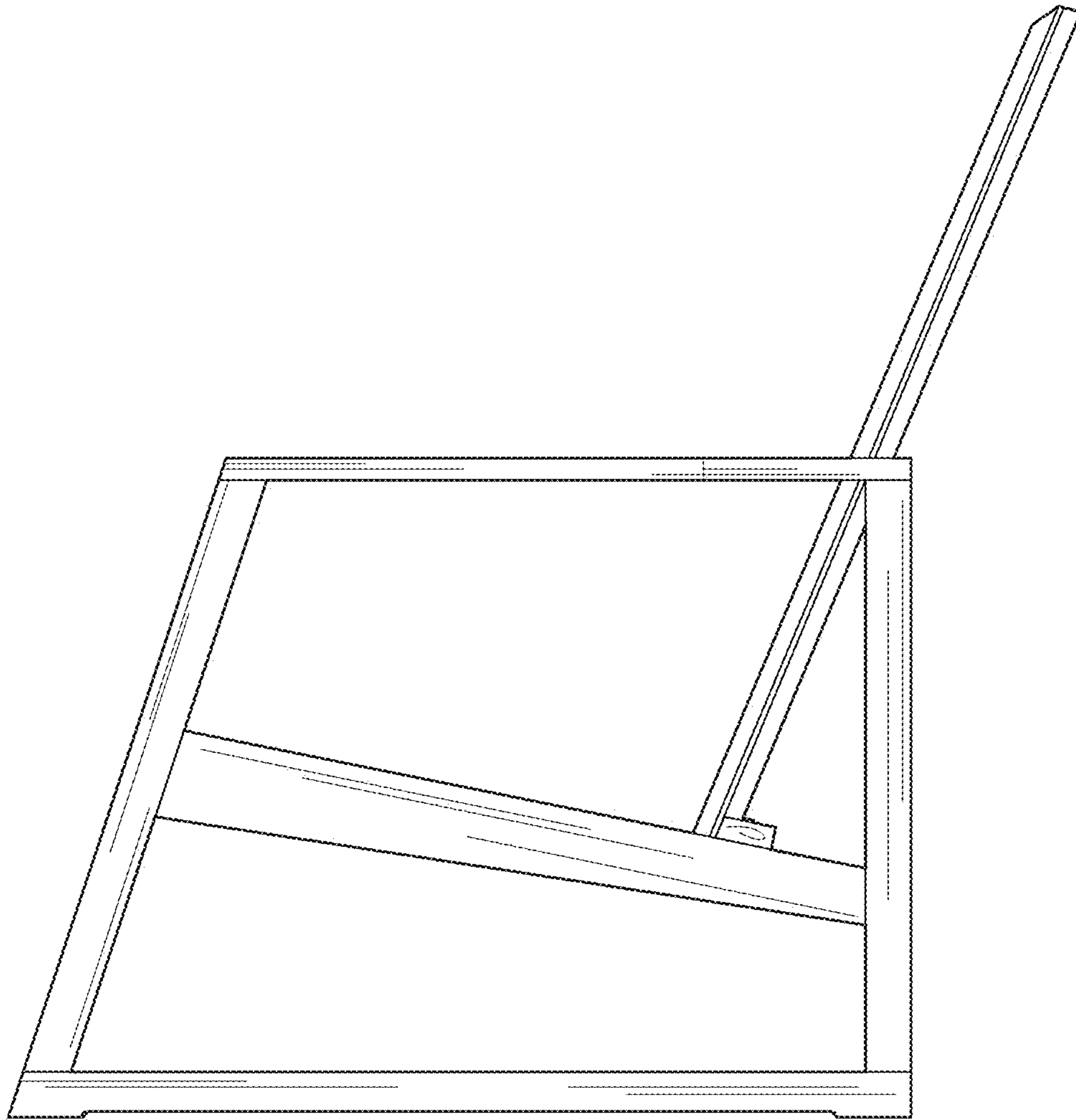


Fig. 2

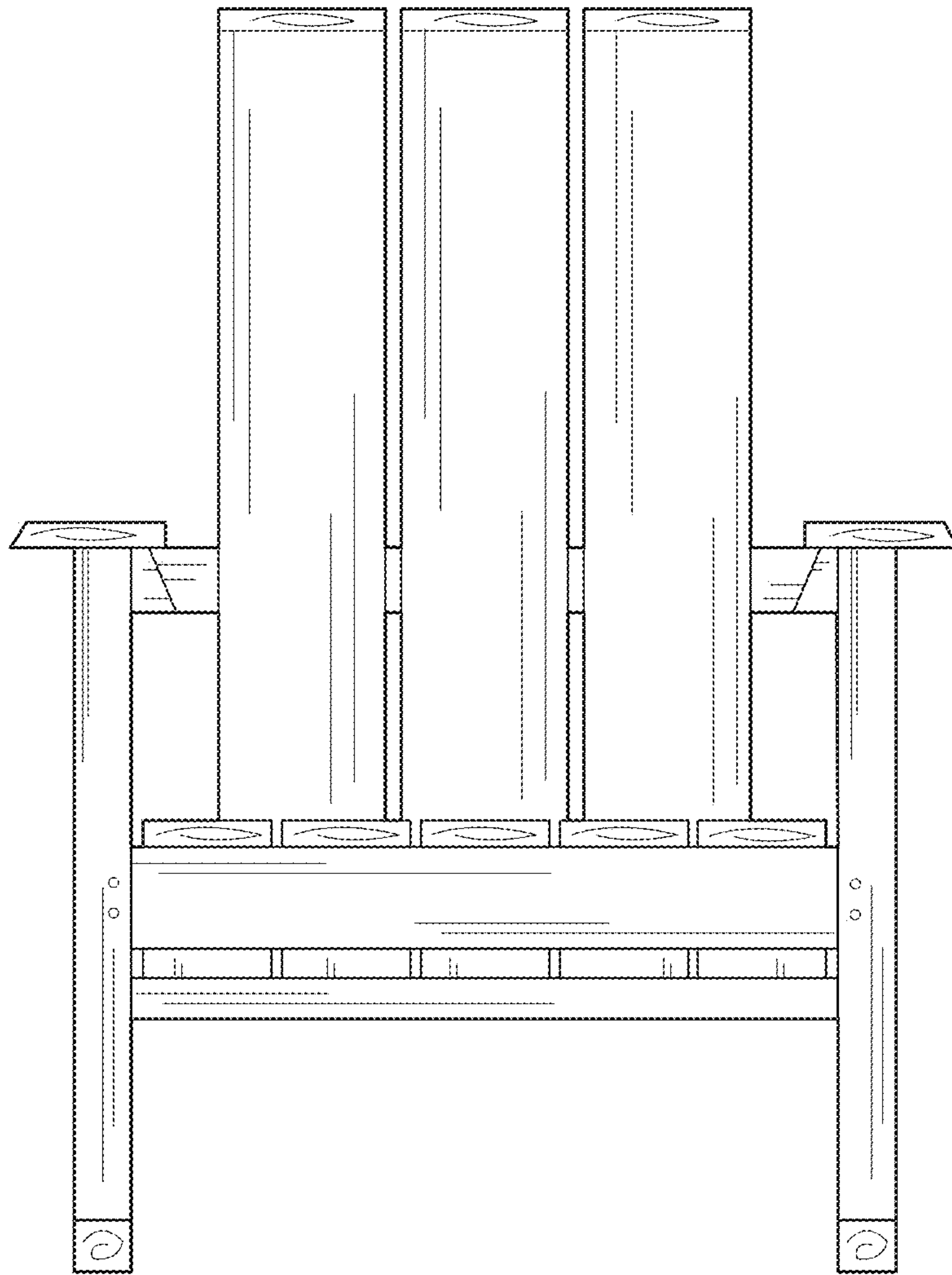


Fig. 3

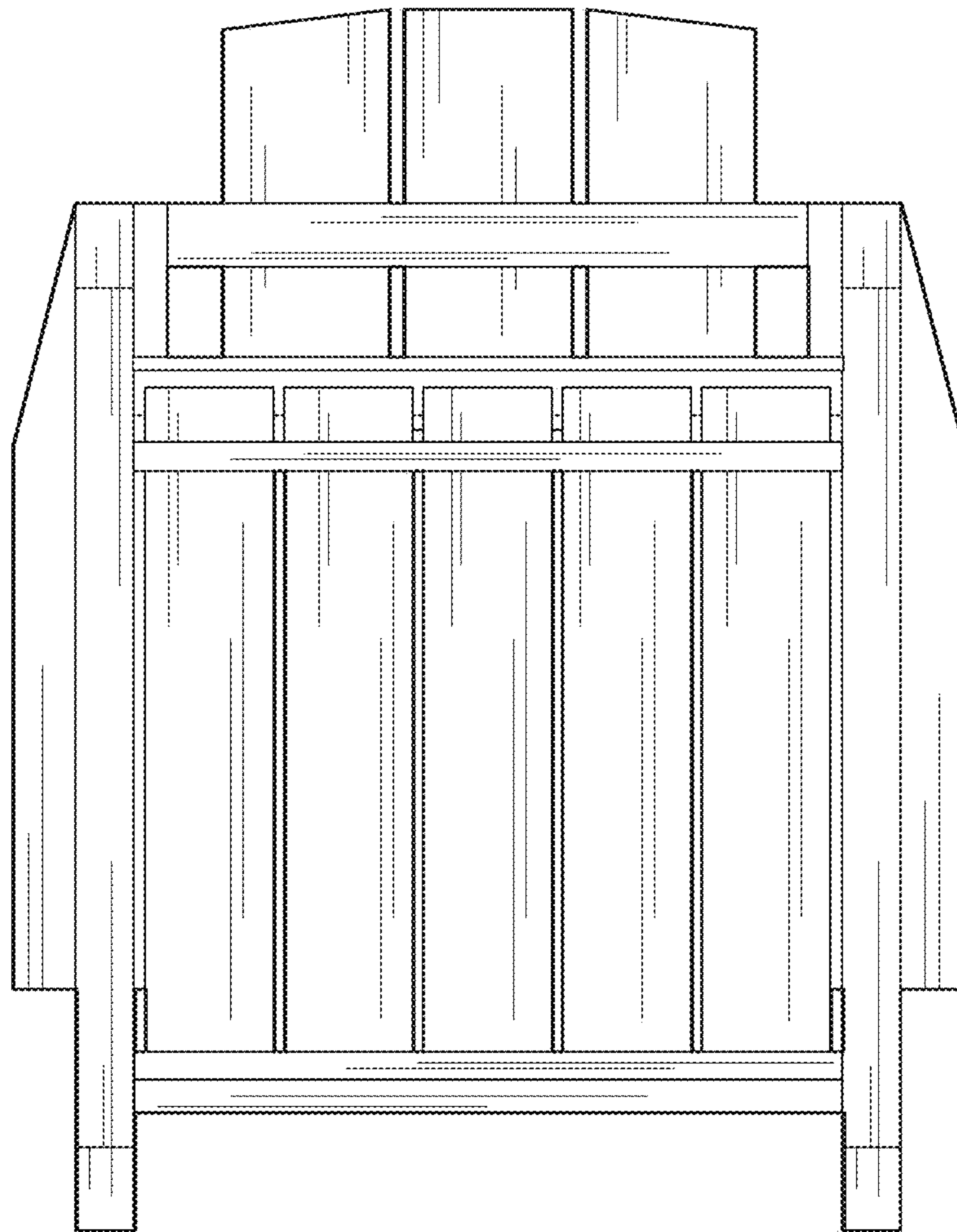


Fig. 4



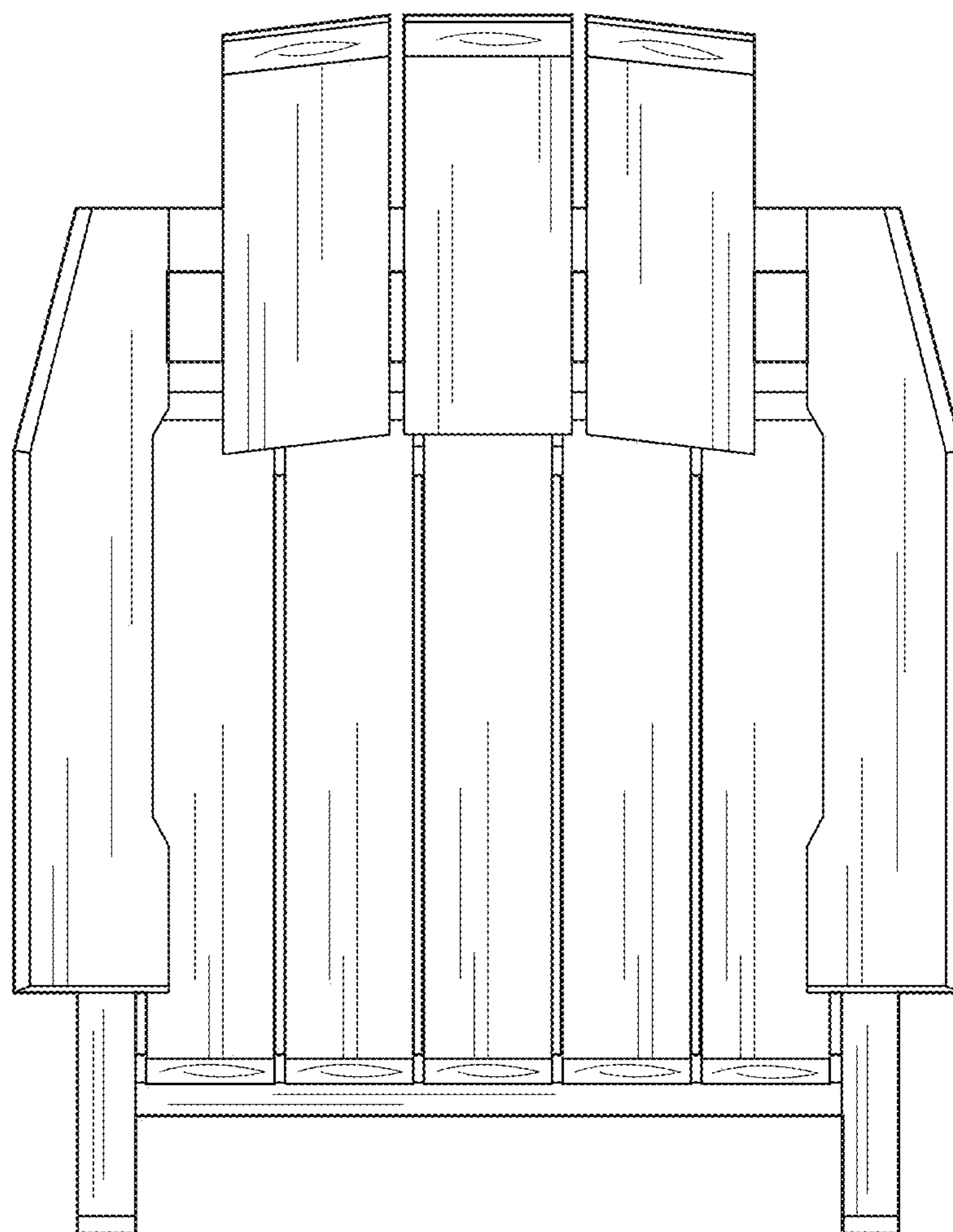


Fig. 5

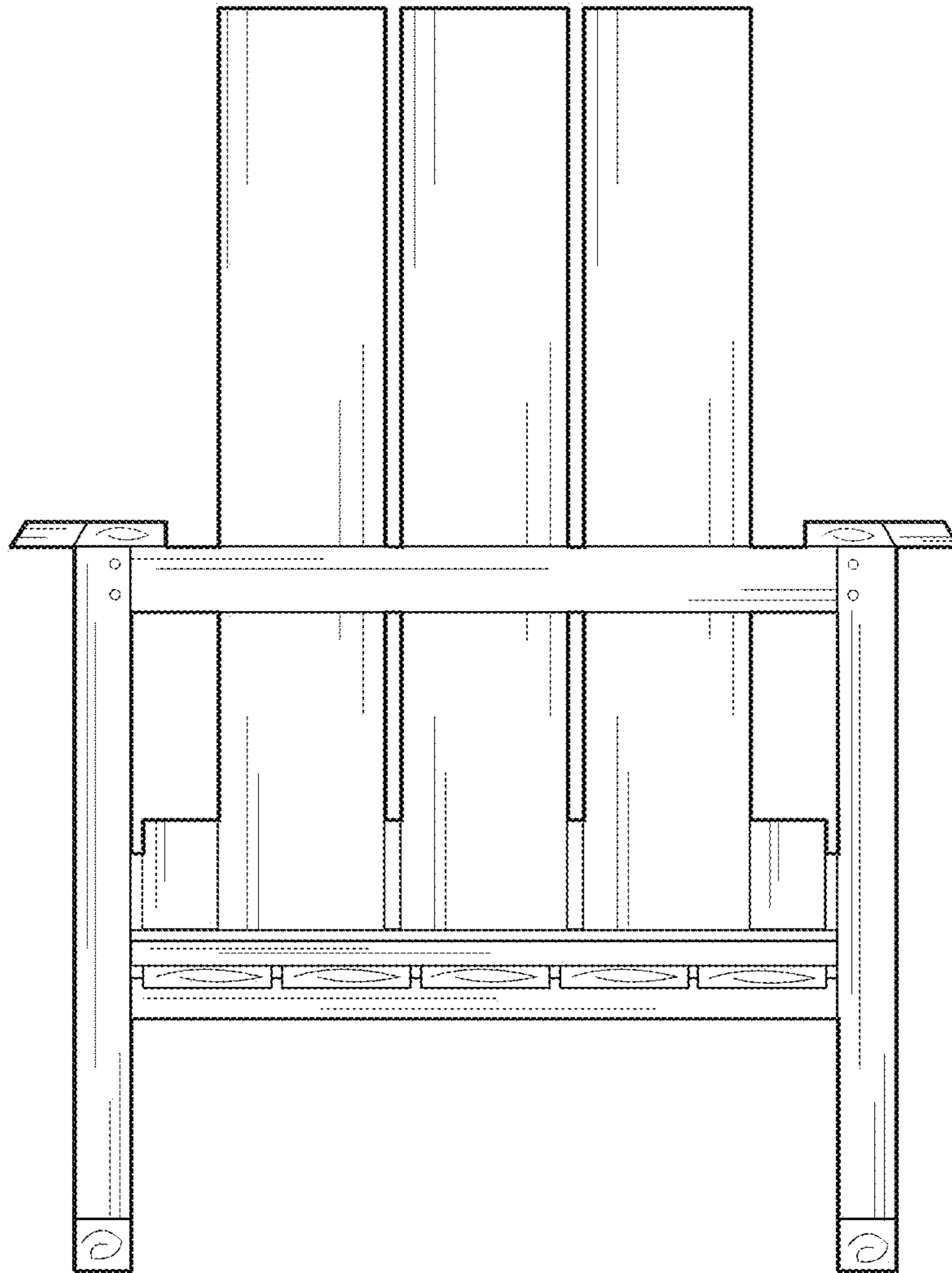


Fig. 6