



US00D752352S

(12) **United States Design Patent**  
**Erhel et al.**

(10) **Patent No.:** **US D752,352 S**  
(45) **Date of Patent:** **\*\* Mar. 29, 2016**

(54) **SEAT**

(71) Applicant: **BOMBARDIER INC.**, Dorval (CA)

(72) Inventors: **Philippe Andre Eugene Erhel**,  
Montreal (CA); **Adrian Goring**, Saint  
Laurent (CA); **Dorothee Redon**, Saint  
Laurent (CA); **Chen Hua Yu**, Montréal  
(CA)

(73) Assignee: **BOMBARDIER INC.**, Dorval, Quebec  
(CA)

(\*\*) Term: **14 Years**

(21) Appl. No.: **29/489,040**

(22) Filed: **Apr. 25, 2014**

(51) **LOC (10) Cl.** ..... **06-01**

(52) **U.S. Cl.**  
USPC ..... **D6/356**

(58) **Field of Classification Search**  
USPC ..... D6/334-336, 356, 367, 368, 374, 375,  
D6/716, 716.1, 716.2, 716.3, 716.4, 716.7  
CPC ..... B60N 2/686; B60N 2/449; B60N 2/68;  
B60N 2/4882; A47C 5/12; A47C 3/12;  
A47C 7/022; A47C 7/18; A47C 7/40  
See application file for complete search history.

(56) **References Cited**

**U.S. PATENT DOCUMENTS**

D577,503 S \* 9/2008 Priestman ..... D6/356  
D703,964 S \* 5/2014 Gagnon et al. .... D6/356

\* cited by examiner

*Primary Examiner* — Mimoso De

(74) *Attorney, Agent, or Firm* — Thomas, Karceski &  
Karmilovich, PC

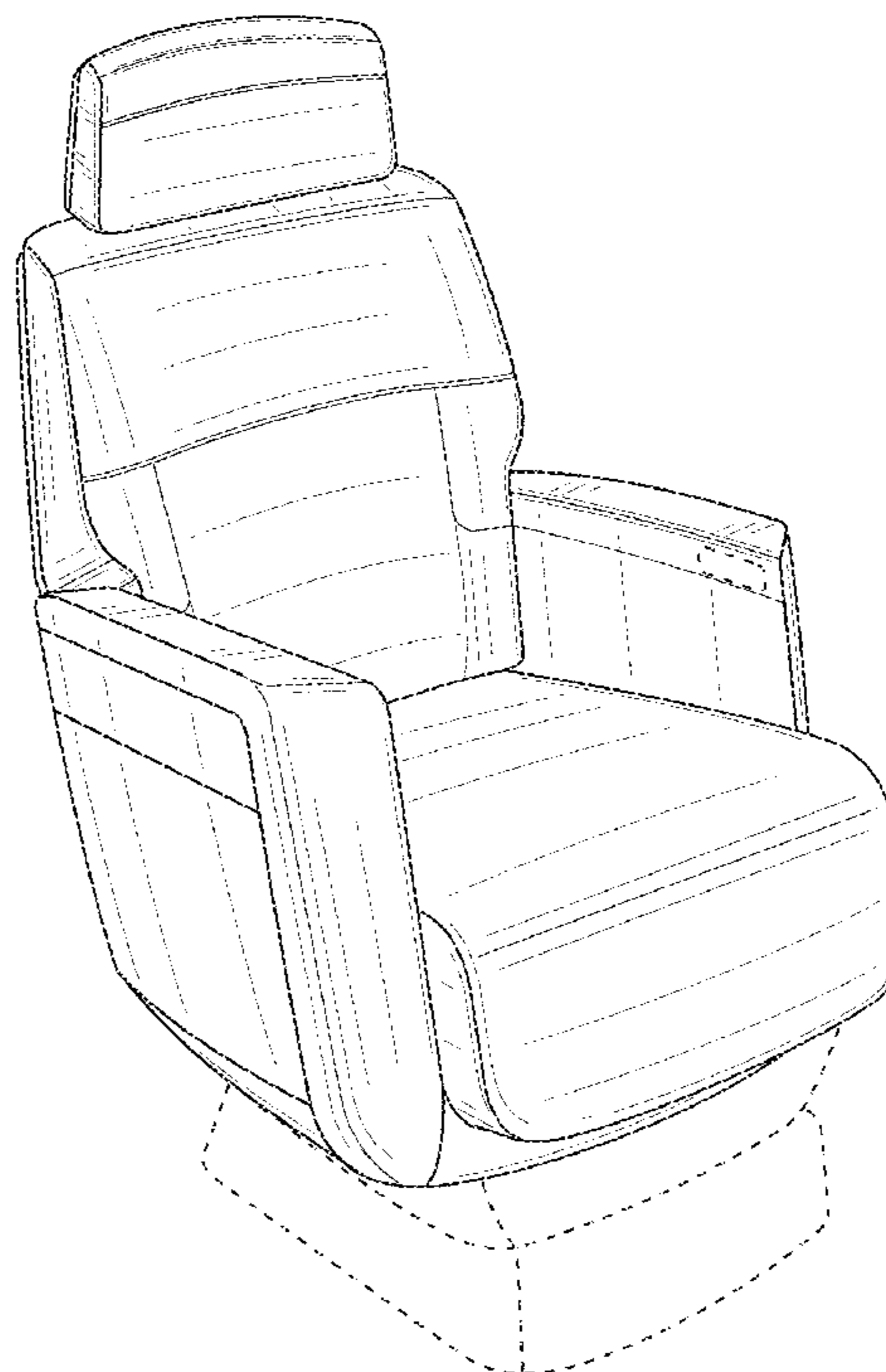
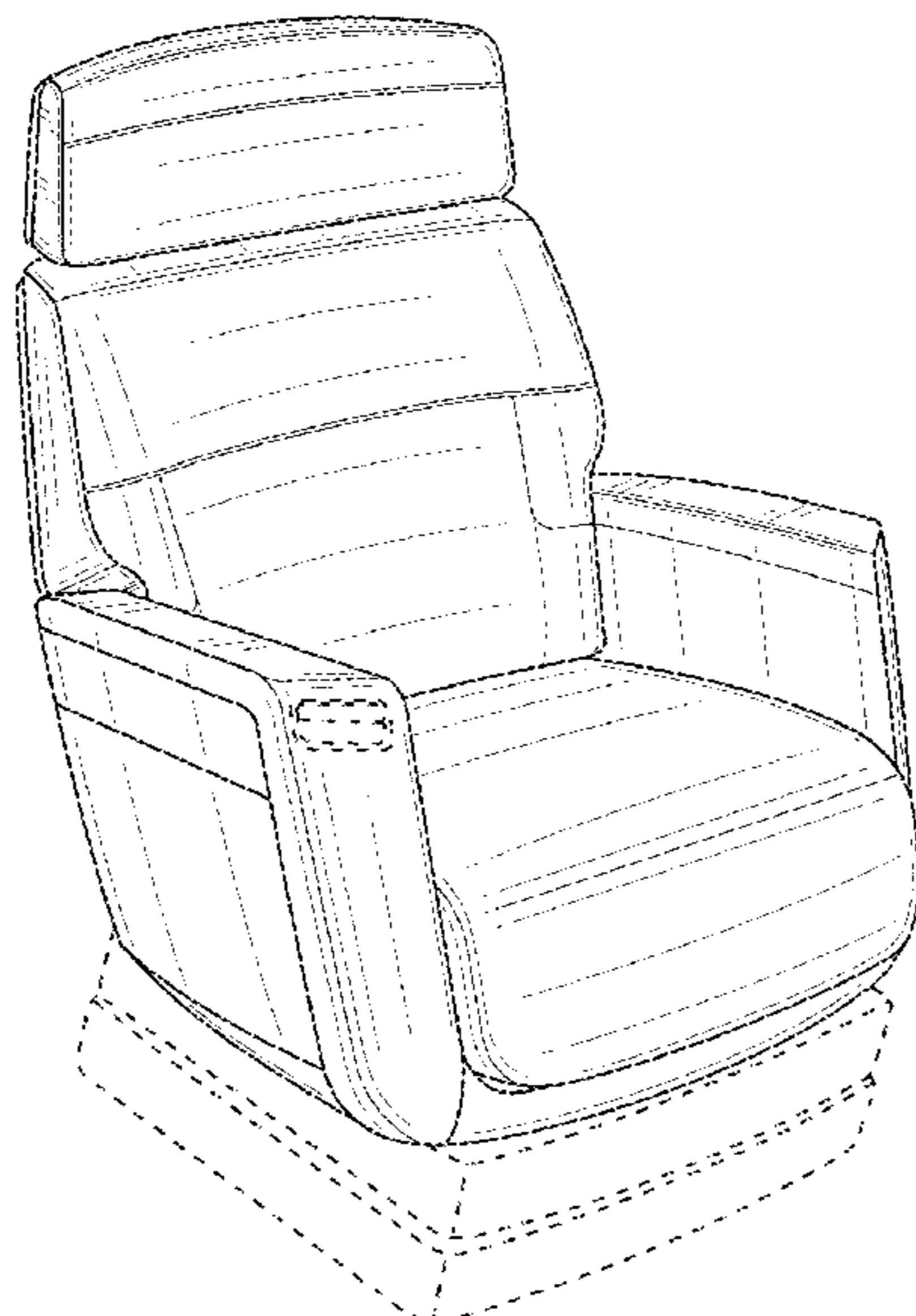
(57) **CLAIM**

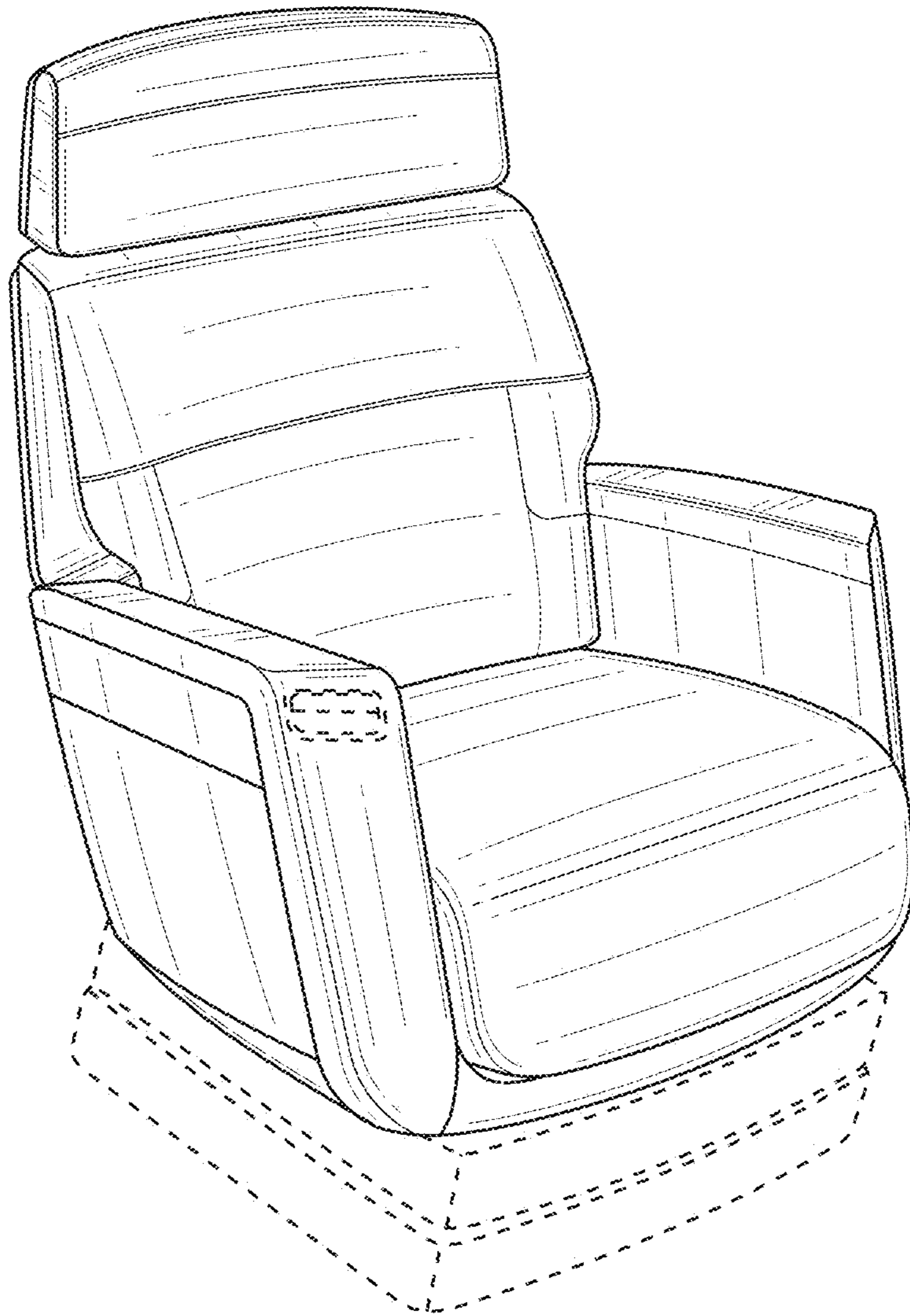
The ornamental design for a seat, as shown and described.

**DESCRIPTION**

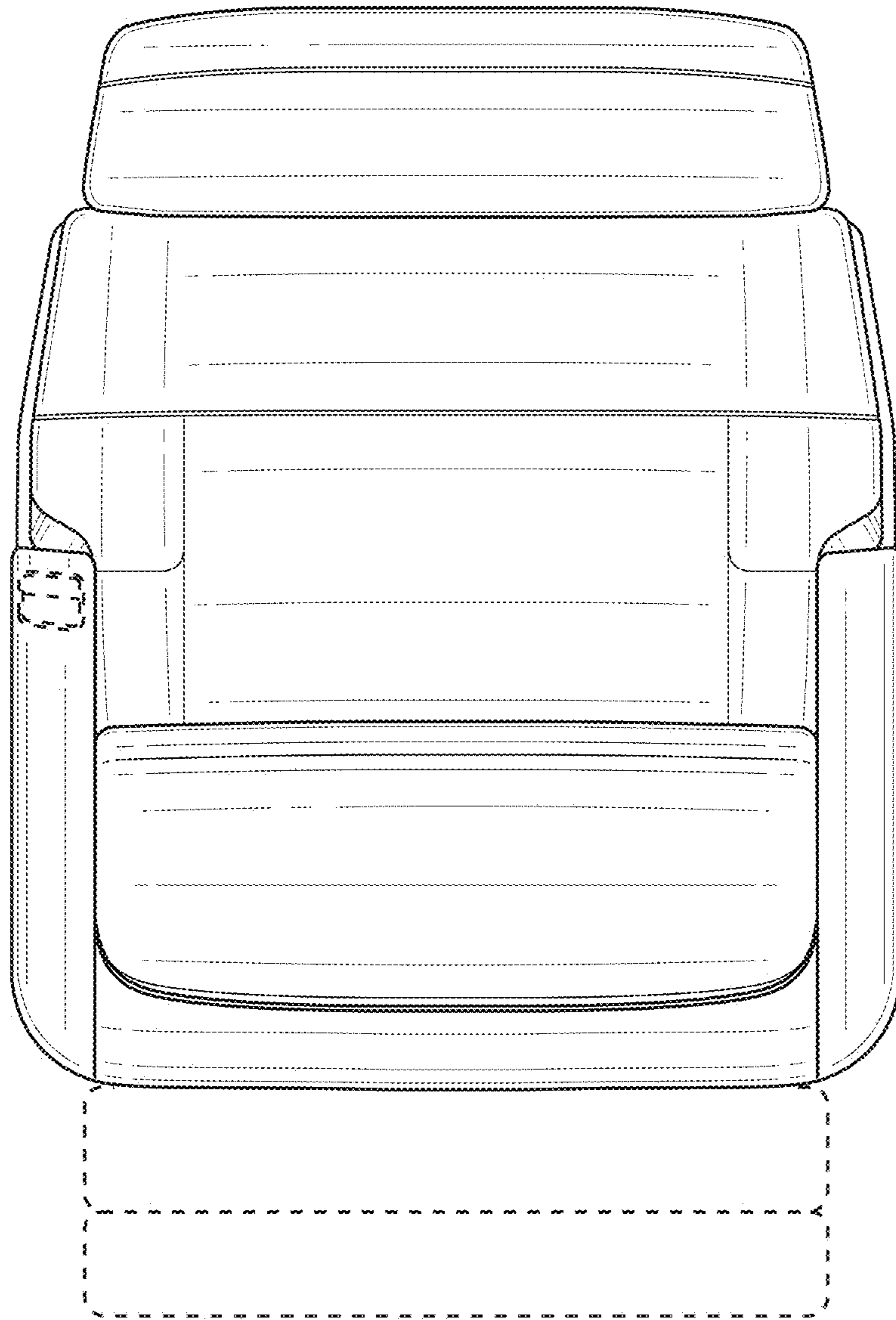
FIG. 1 is a perspective view of a first embodiment of a seat according to the design;  
FIG. 2 is a front view of the seat of FIG. 1;  
FIG. 3 is a rear view of the seat of FIG. 1;  
FIG. 4 is a left side view of the seat of FIG. 1;  
FIG. 5 is a right side view of the seat of FIG. 1;  
FIG. 6 is a top view of the seat of FIG. 1;  
FIG. 7 is a perspective view of second embodiment of a seat according to the design;  
FIG. 8 is a front view of the seat of FIG. 7;  
FIG. 9 is a rear view of the seat of FIG. 7;  
FIG. 10 is a left side view of the seat of FIG. 7;  
FIG. 11 is a right side view of the seat of FIG. 7; and,  
FIG. 12 is a top view of the seat of FIG. 7.  
The broken lines that are included in all of the figures of the drawings denote aspects of the seat that form no part of the claimed designs.  
For each of the two embodiments illustrated in FIGS. 1-12, the bottom views are omitted, because they are plain and unornamented and, therefore, form no part of the claimed designs.

**1 Claim, 12 Drawing Sheets**

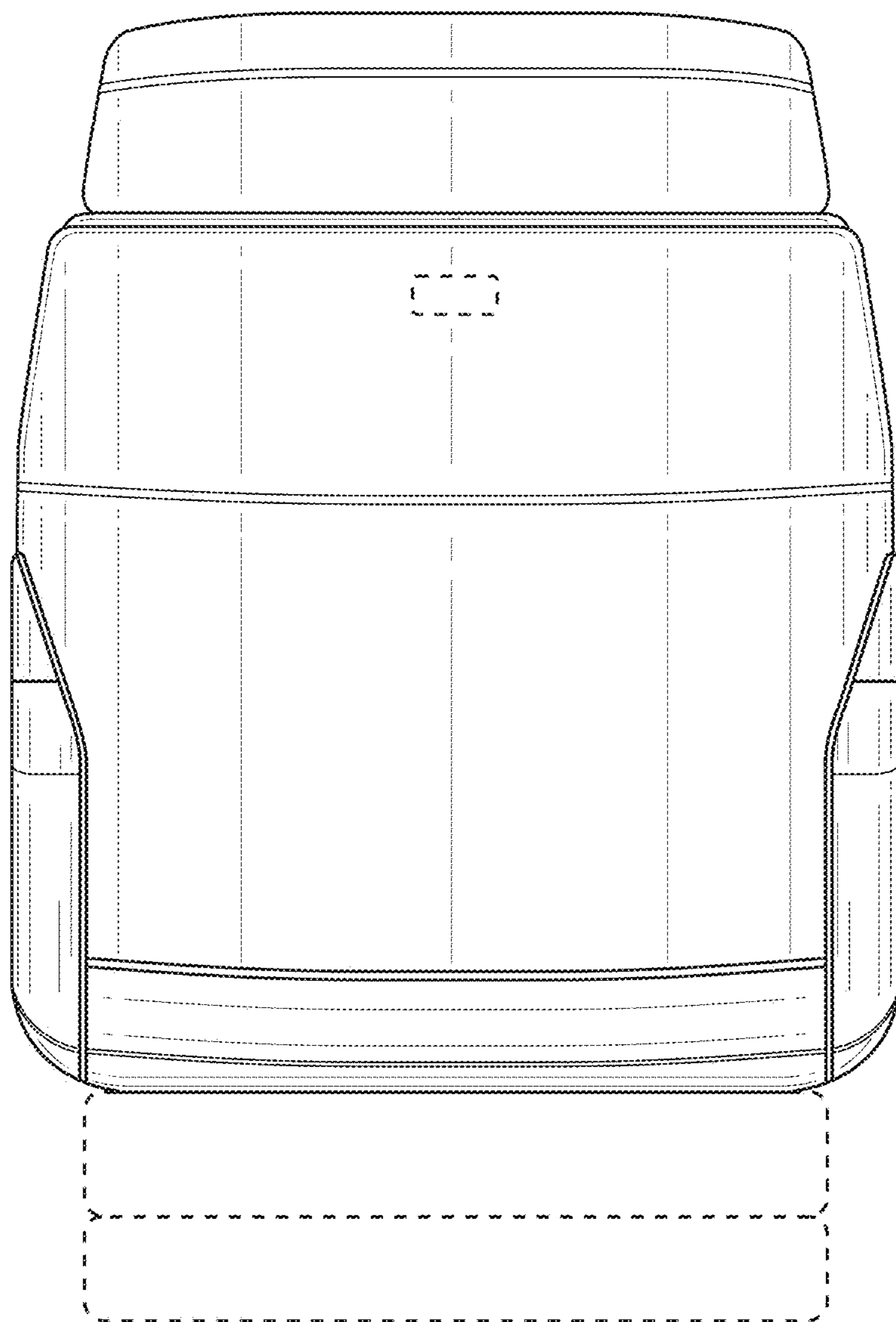




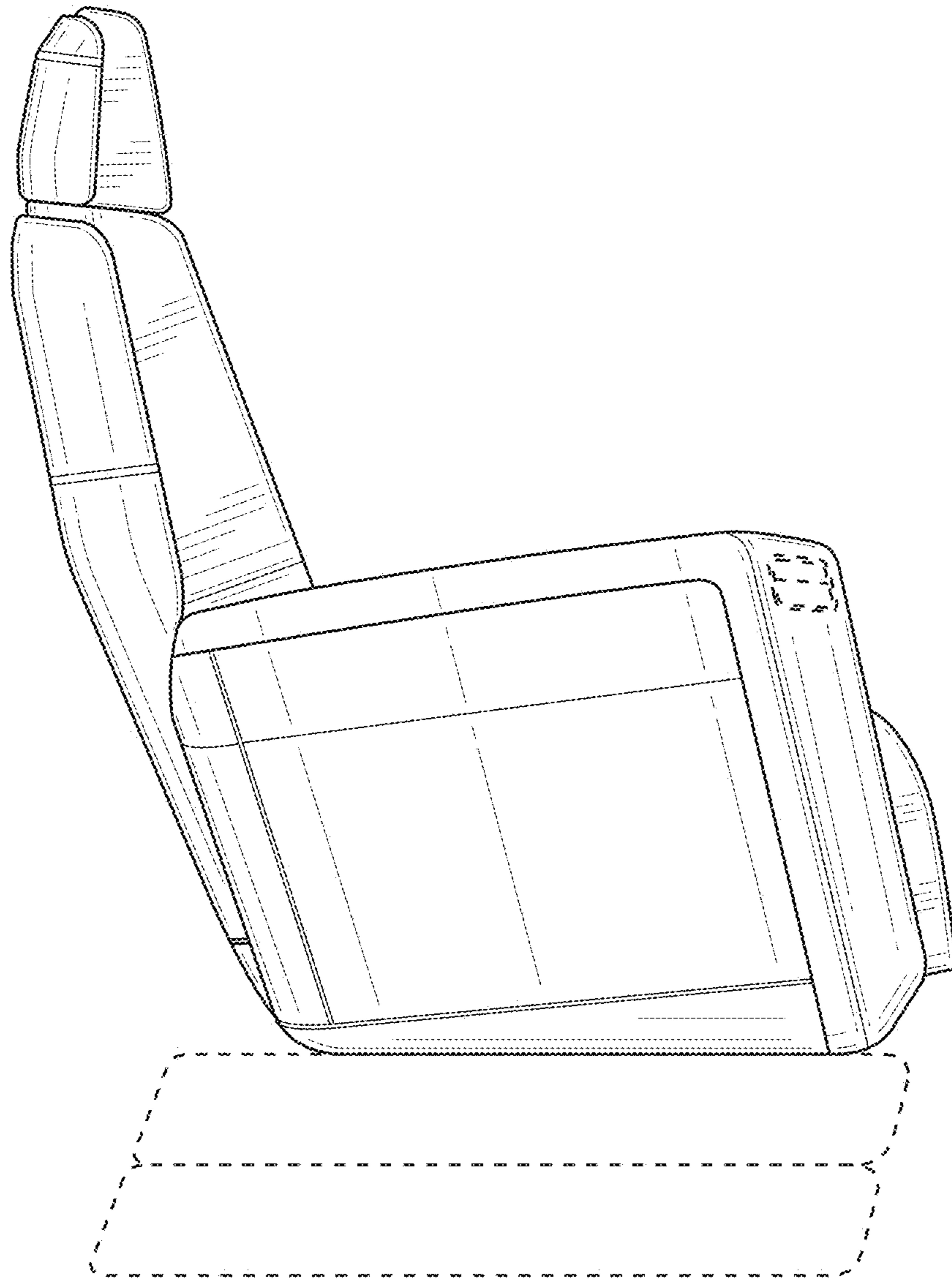
**FIG. 1**



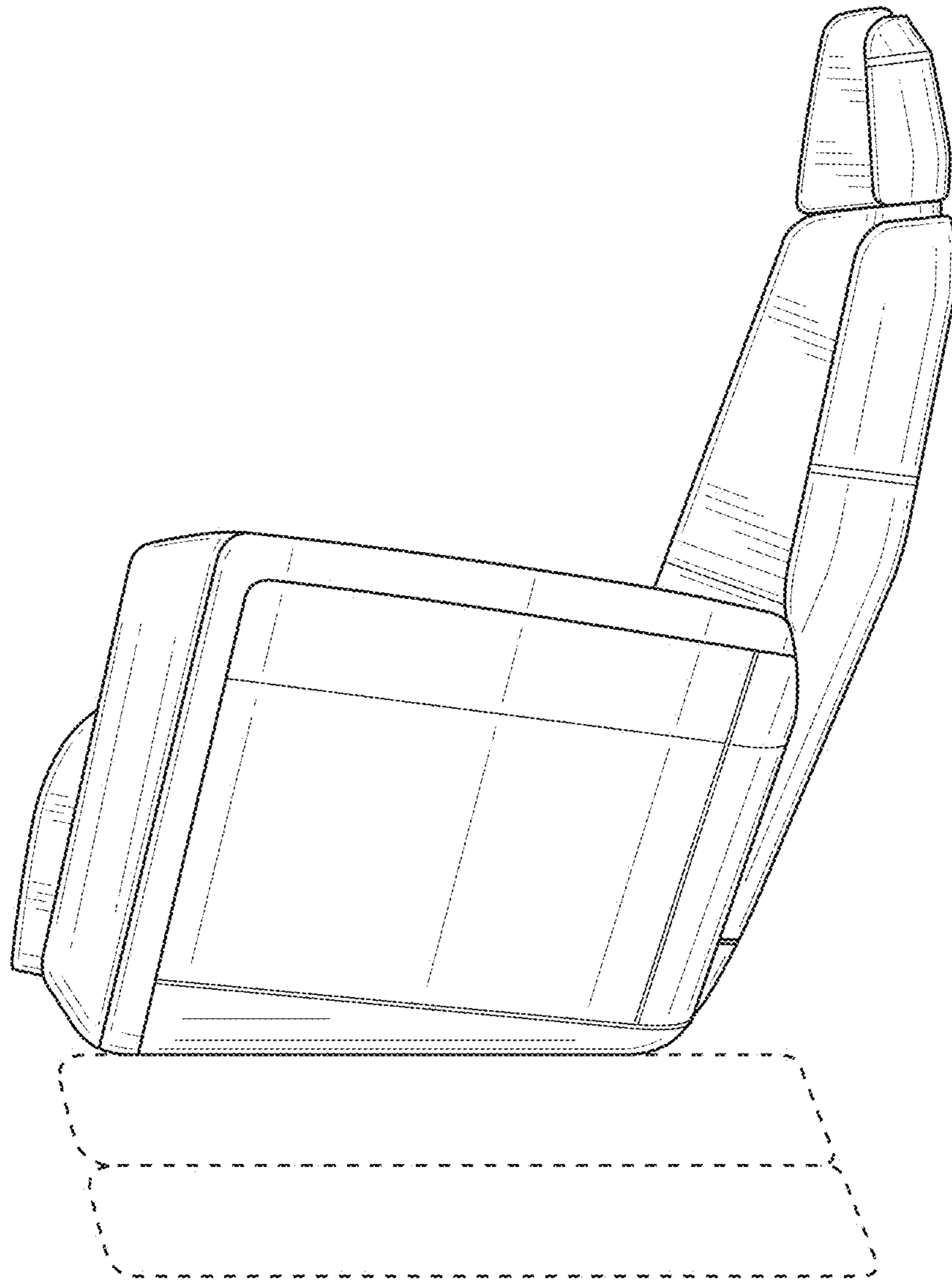
**FIG. 2**



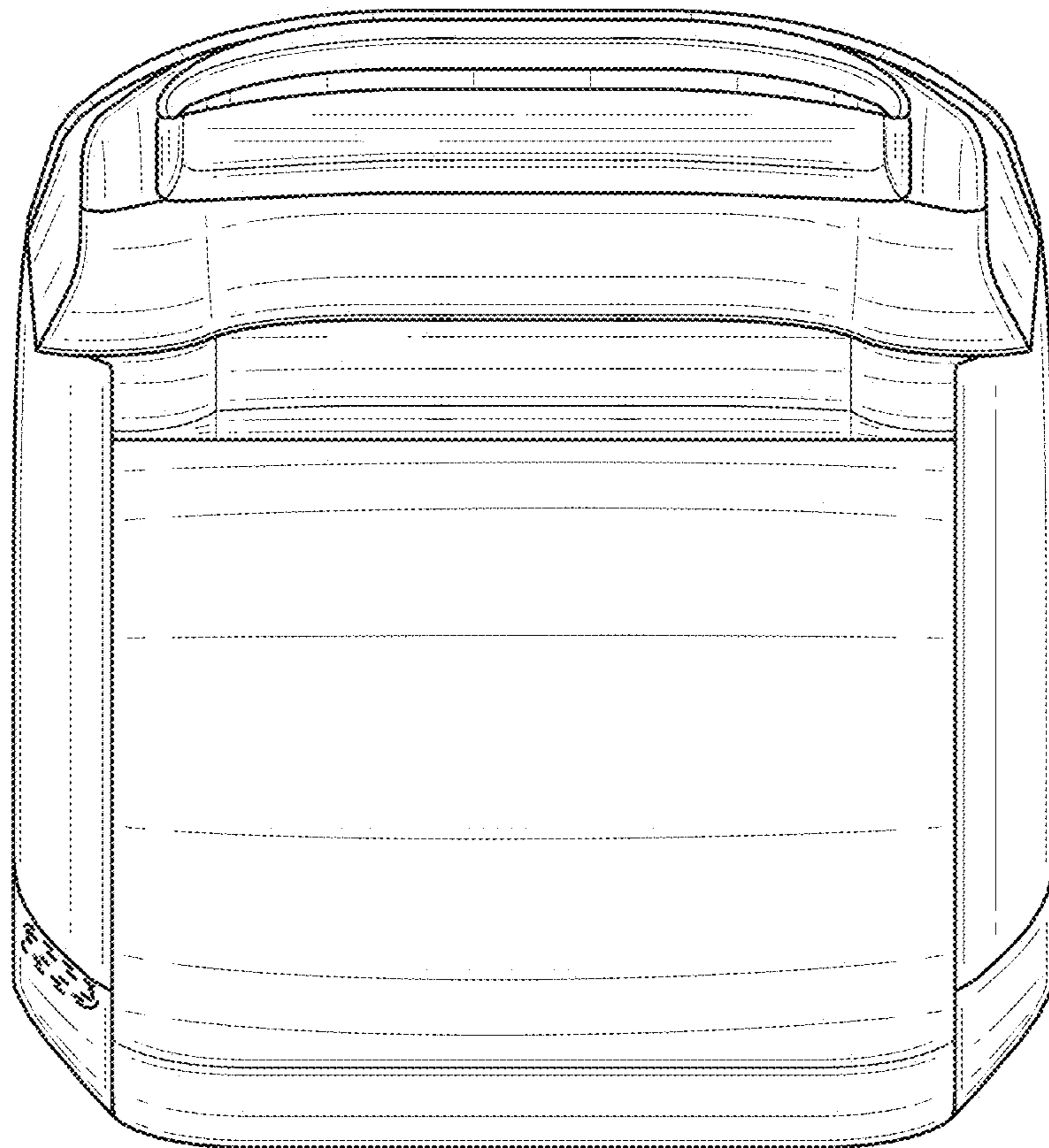
**FIG. 3**



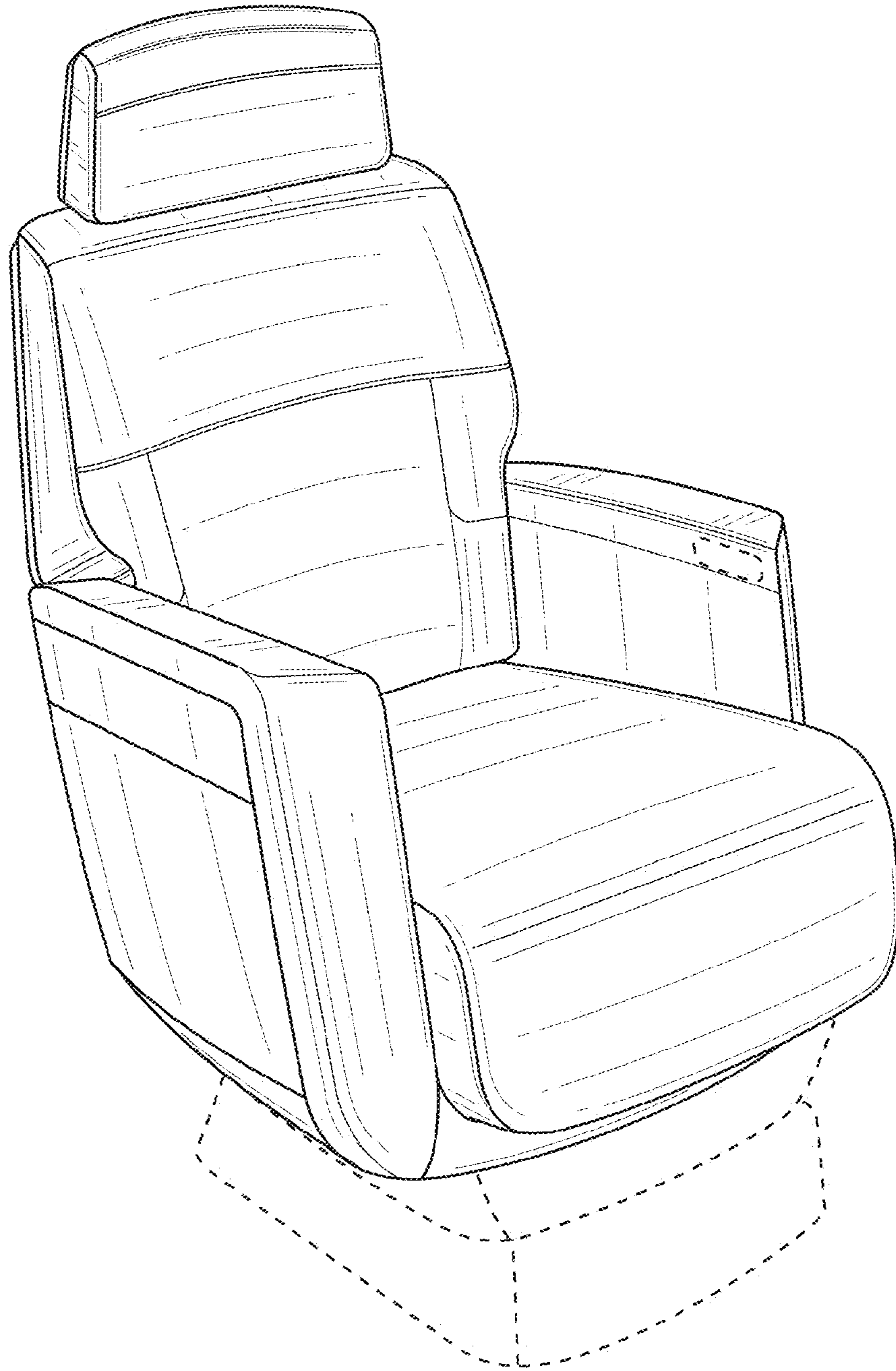
**FIG. 4**



**FIG. 5**

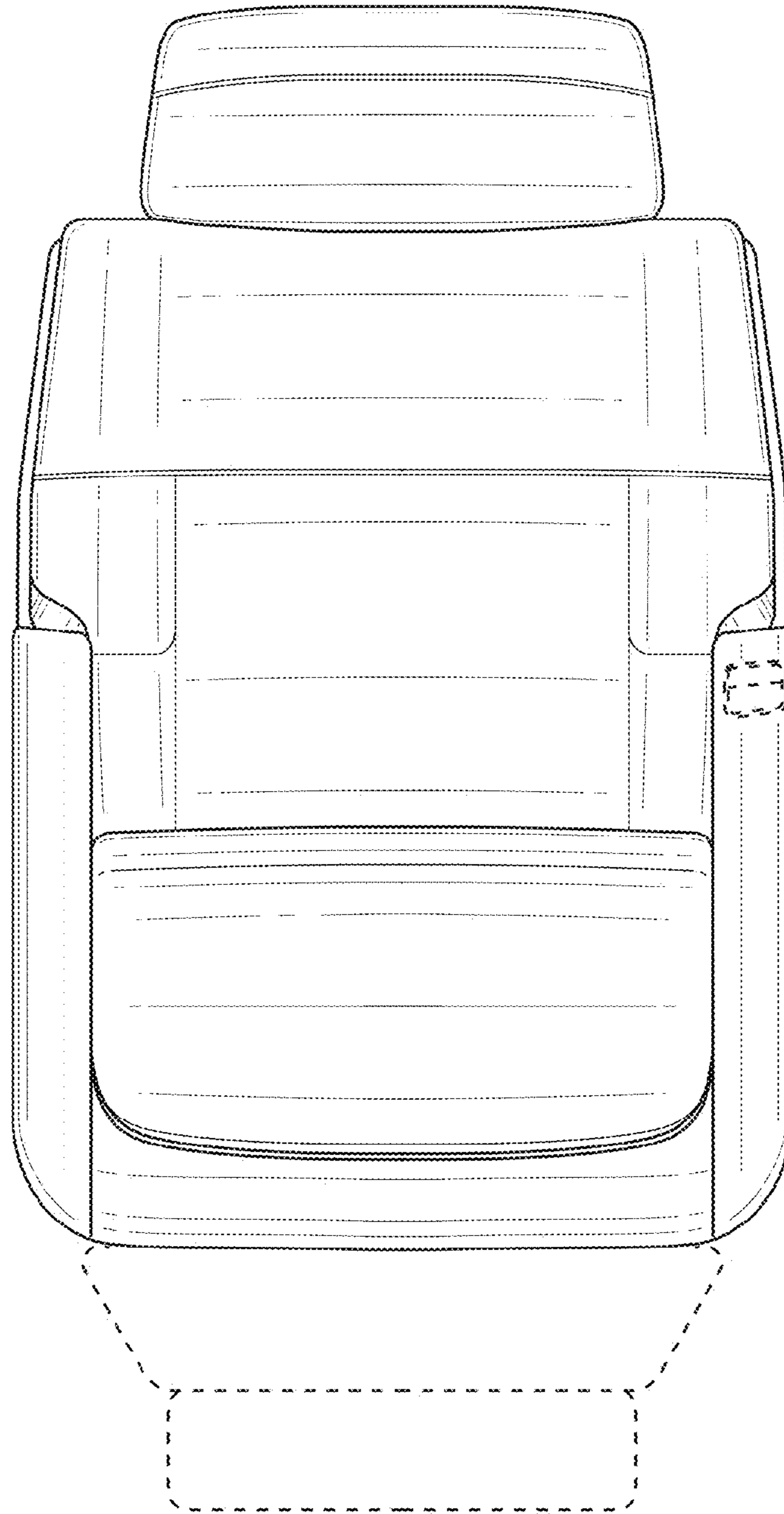


**FIG. 6**

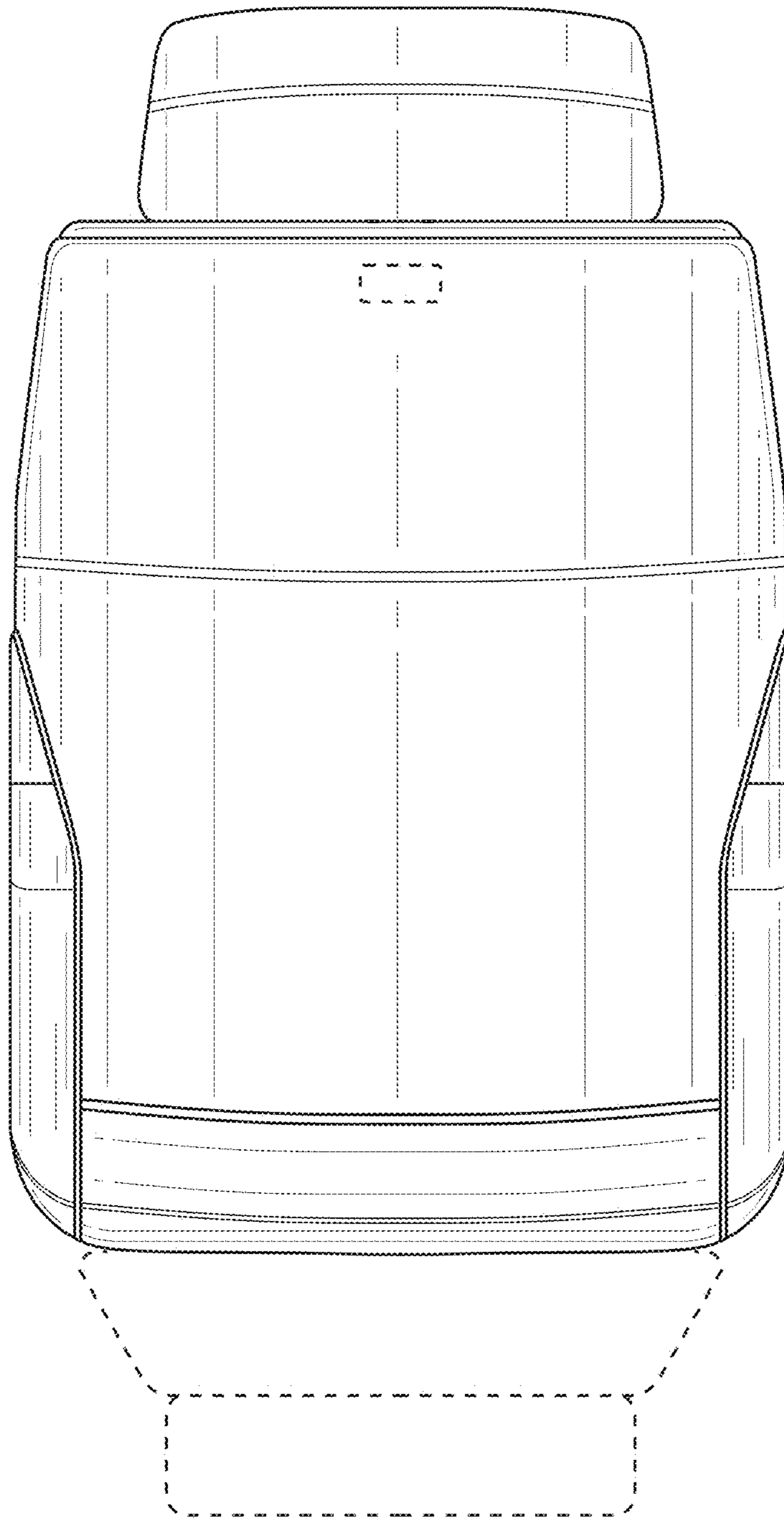


**FIG. 7**

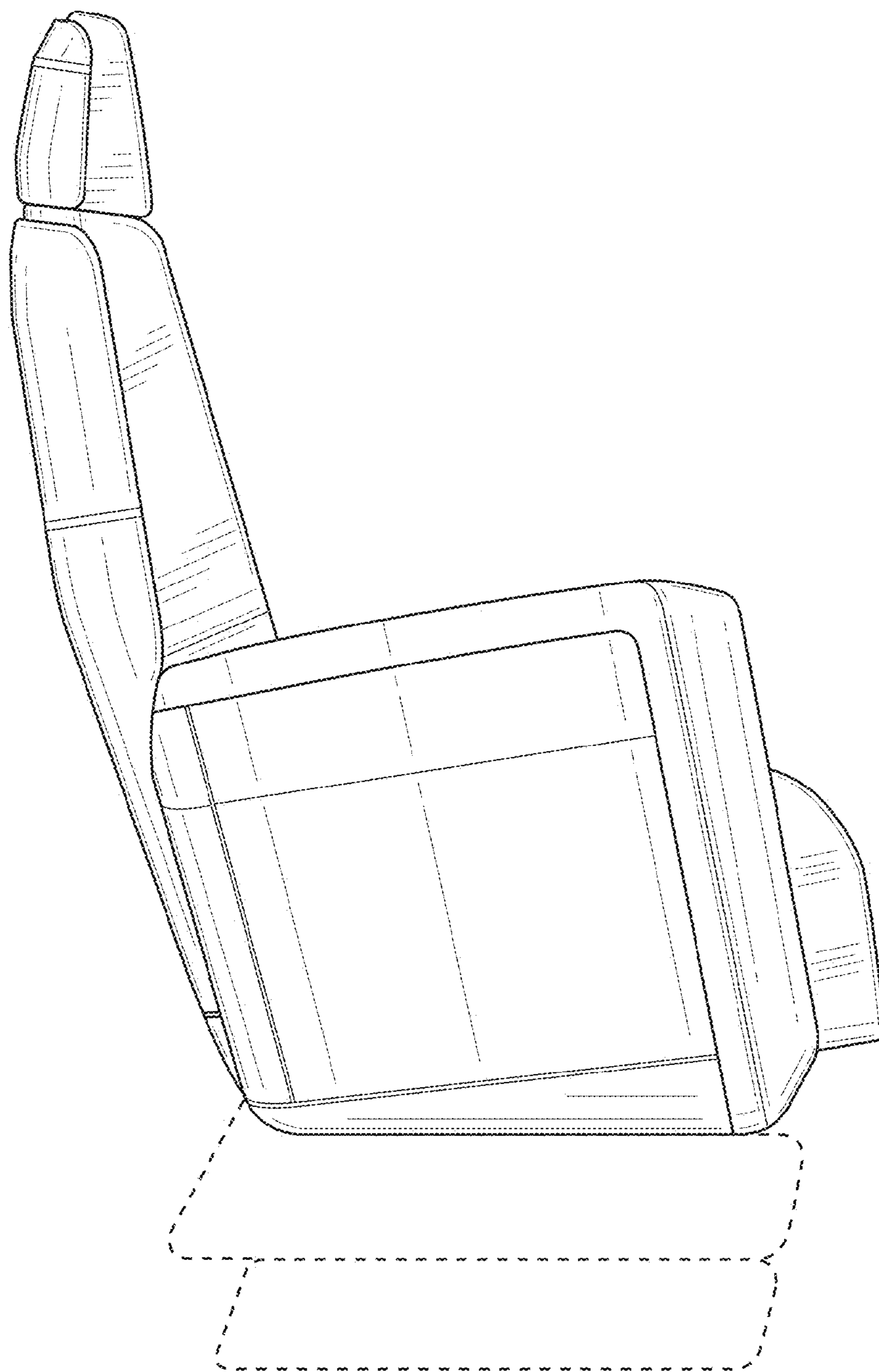




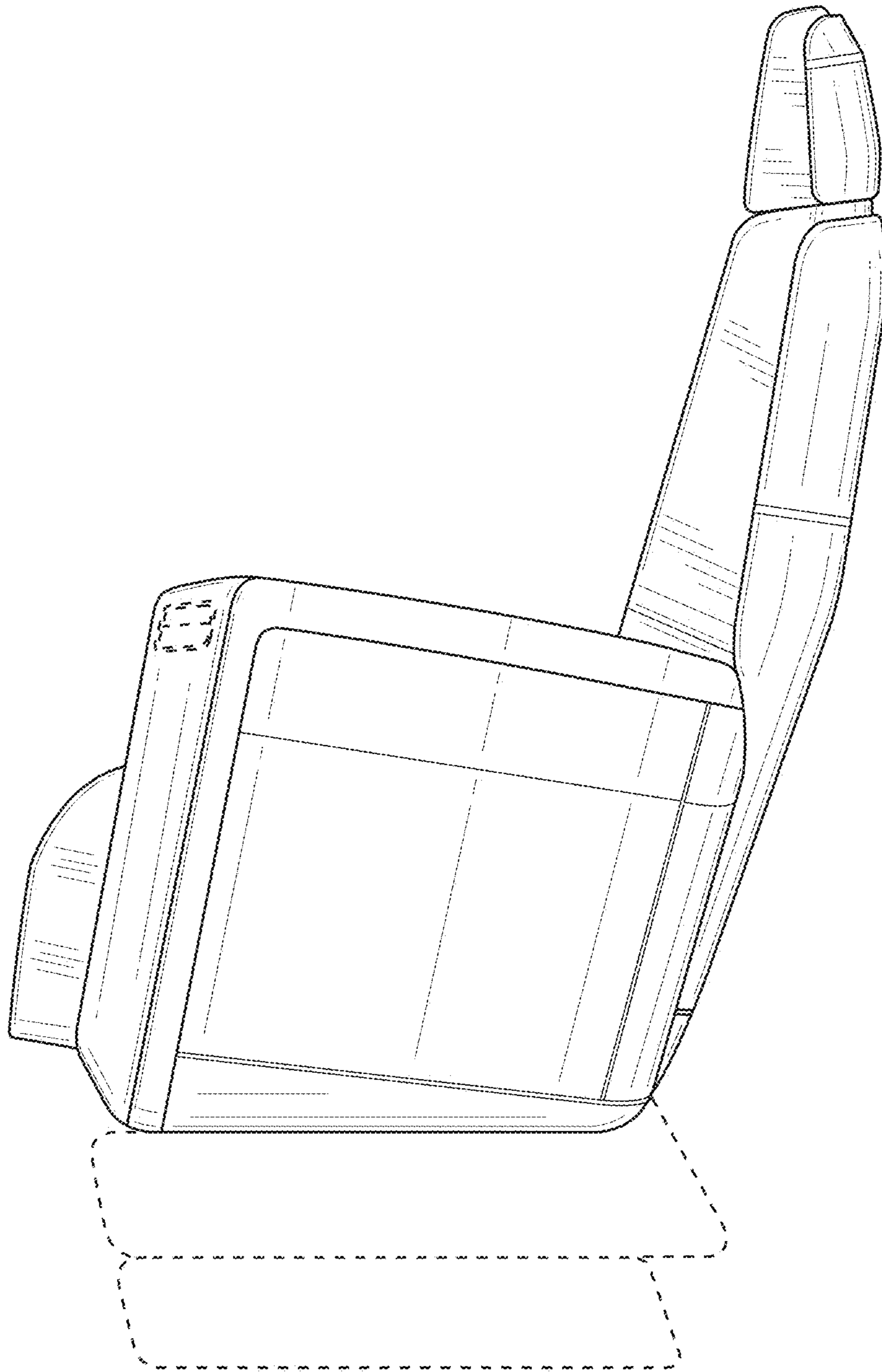
**FIG. 8**



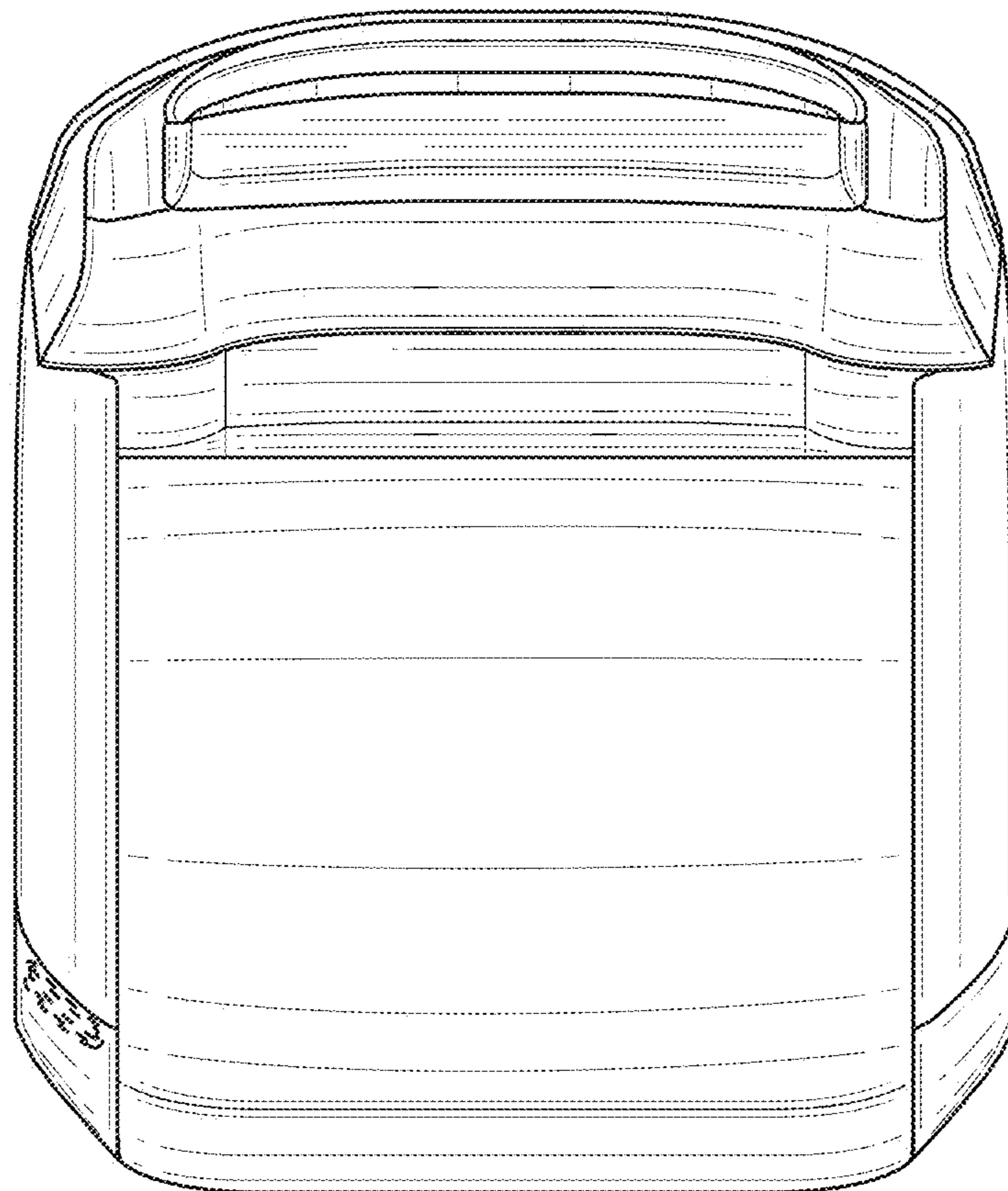
**FIG. 9**



**FIG. 10**



**FIG. 11**



**FIG. 12**