



US00D752347S

(12) **United States Design Patent**
Seiders et al.

(10) **Patent No.:** **US D752,347 S**
(45) **Date of Patent:** **** Mar. 29, 2016**

(54) **INSULATING DEVICE**

(71) Applicant: **YETI Coolers, LLC**, Austin, TX (US)

(72) Inventors: **Roy Joseph Seiders**, Austin, TX (US);
Christopher M. Keller, Austin, TX (US)

(73) Assignee: **YETI Coolers, LLC**, Austin, TX (US)

(**) Term: **15 Years**

(21) Appl. No.: **29/544,614**

(22) Filed: **Nov. 4, 2015**

Related U.S. Application Data

(63) Continuation of application No. 29/503,060, filed on Sep. 23, 2014.

(51) **LOC (10) Cl.** **03-01**

(52) **U.S. Cl.**
USPC **D3/318**

(58) **Field of Classification Search**

USPC D7/601-607; D3/215, 216, 217, 221, D3/226, 232, 233, 245, 246, 267, 268, 273, D3/276, 283, 289, 315, 318, 327; 220/592.01, 592.09, 592.1, 592.2, 220/592.25, 694, 752, 760
CPC A45C 3/10; A45C 11/00; A45C 11/20; A45C 11/22; A45C 13/008; A45C 13/10; A45C 13/30; A45C 2013/1007; A45C 2013/1015; A45C 5/08; A45C 2200/00; A45C 2200/20; A63B 29/02; A63B 29/08; A63B 29/028; A45F 3/00; A45F 3/02; A45F 3/14; A45F 2003/002; A45F 2003/142; A45F 5/10; A45F 2005/108; A45F 2005/1013; B65D 33/00; B65D 33/105

See application file for complete search history.

(56) **References Cited**

U.S. PATENT DOCUMENTS

4,541,540	A *	9/1985	Gretz	A45C 11/20 220/523
D281,546	S *	12/1985	Bradshaw	D3/276
D394,553	S *	5/1998	Lin	D3/318
D447,667	S *	9/2001	Schneider	D3/287
D517,801	S *	3/2006	Woo	D3/217
D539,033	S *	3/2007	Cassegrain	D3/246
7,682,080	B2 *	3/2010	Mogil	A45C 7/0077 383/110
D618,966	S *	7/2010	Koehler	D7/607
D619,423	S *	7/2010	Koehler	D7/607
D620,707	S *	8/2010	Mogil	D3/246
D650,169	S *	12/2011	Klifa	D3/245

(Continued)

Primary Examiner — Rosemary K Tarca

Assistant Examiner — Christy Nemeth

(74) *Attorney, Agent, or Firm* — Banner & Witcoff, Ltd.

(57) **CLAIM**

The ornamental design for an insulating device, as shown and described.

DESCRIPTION

FIG. 1 is a top, front, left perspective view of an insulating device showing our new design;

FIG. 2 is a front view thereof;

FIG. 3 is a rear view thereof;

FIG. 4 is a left side view thereof;

FIG. 5 is a right side view thereof;

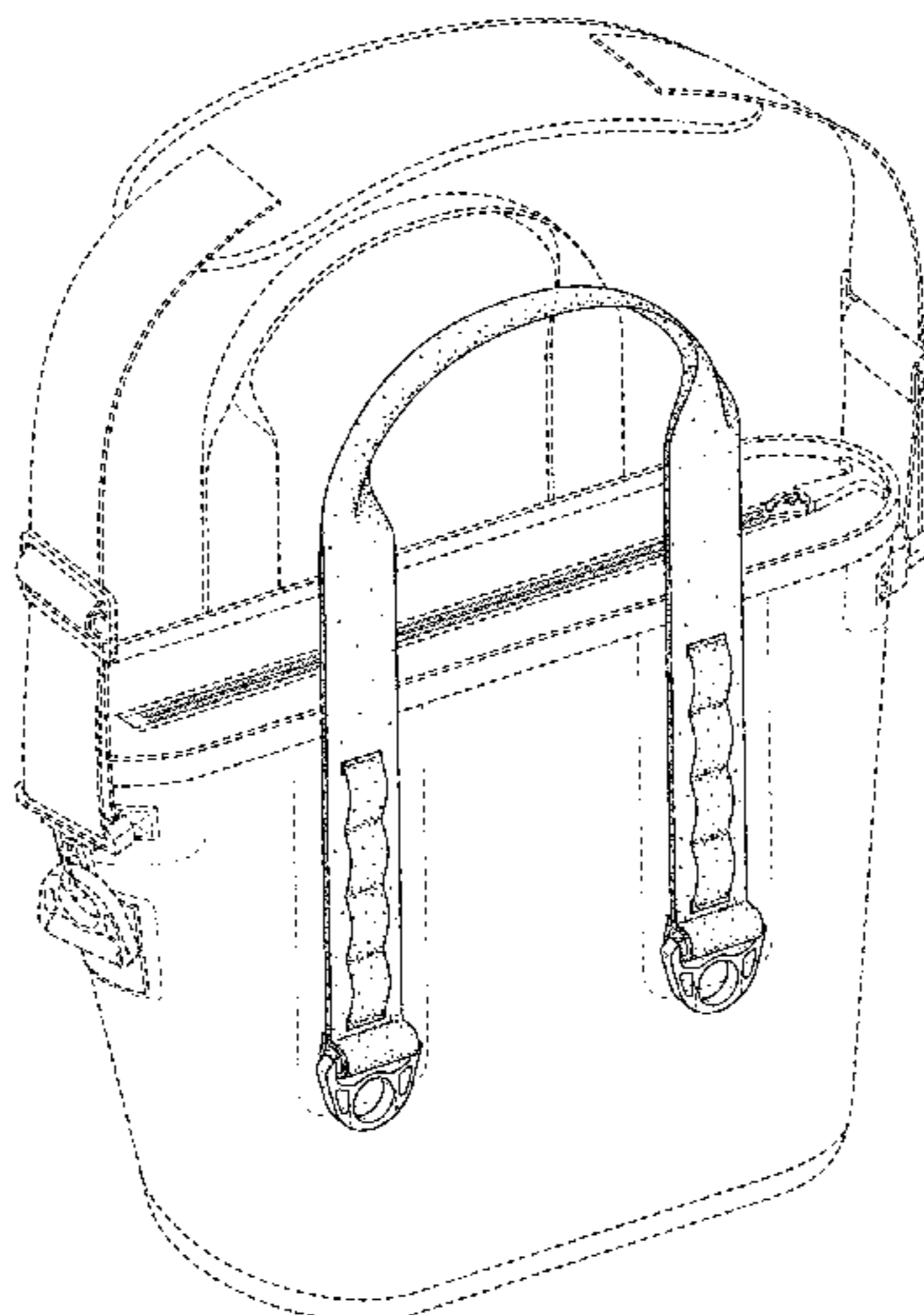
FIG. 6 is a top view thereof;

FIG. 7 is a bottom view thereof; and,

FIG. 8 is an enlarged view of the region identified by the number "8" in FIG. 3 thereof.

The broken lines showing the remainder of the insulating device are for the purpose of depicting environmental subject matter which forms no part of the claimed design. The stipple shading in the drawings is a drawing convention to represent curvature; it does not illustrate material, surface ornamentation, or surface decoration. The enlarged view of the region identified by the number "8" in FIG. 3 depicts unclaimed portions of the insulating device, and forms no part of the claimed design.

1 Claim, 8 Drawing Sheets



(56)

References Cited

U.S. PATENT DOCUMENTS

D673,363 S *	1/2013	Crandall	D3/217	D732,899 S *	6/2015	Seiders	D3/246
8,453,899 B1 *	6/2013	Calkin	A45F 5/02 224/675	9,139,352 B2 *	9/2015	Seiders	B65D 81/3858
D695,568 S *	12/2013	Hayes	D3/233	2011/0191933 A1 *	8/2011	Gregory	A41D 13/0012 2/69
D732,348 S *	6/2015	Seiders	D3/246	2012/0180184 A1 *	7/2012	Crye	A41D 13/0007 2/69
D732,349 S *	6/2015	Seiders	D3/246	2015/0225164 A1 *	8/2015	Seiders	B65D 81/3858 220/592.25
D732,350 S *	6/2015	Seiders	D3/246	2015/0353263 A1 *	12/2015	Seiders	B65D 81/3858 29/428

* cited by examiner

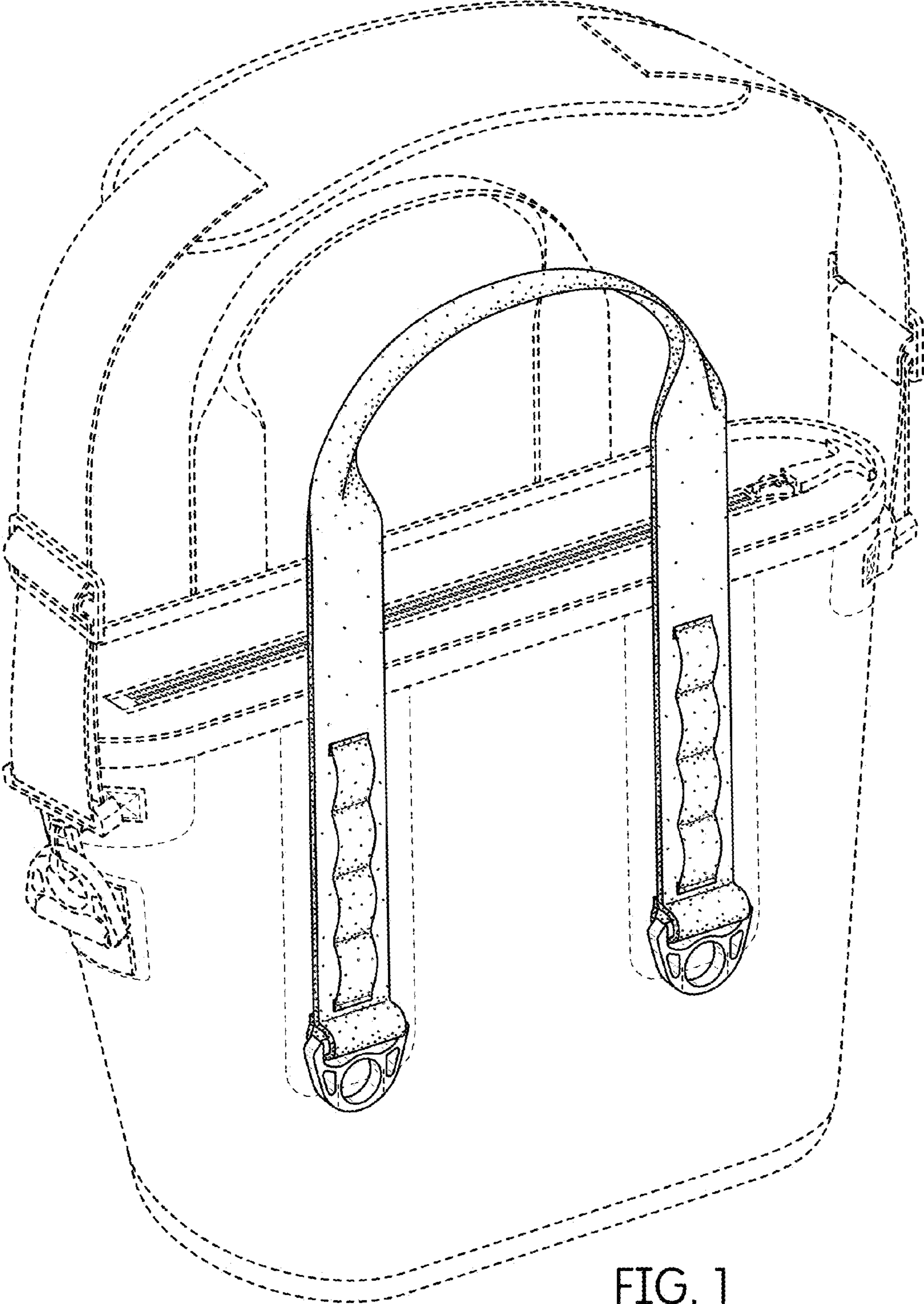


FIG. 1

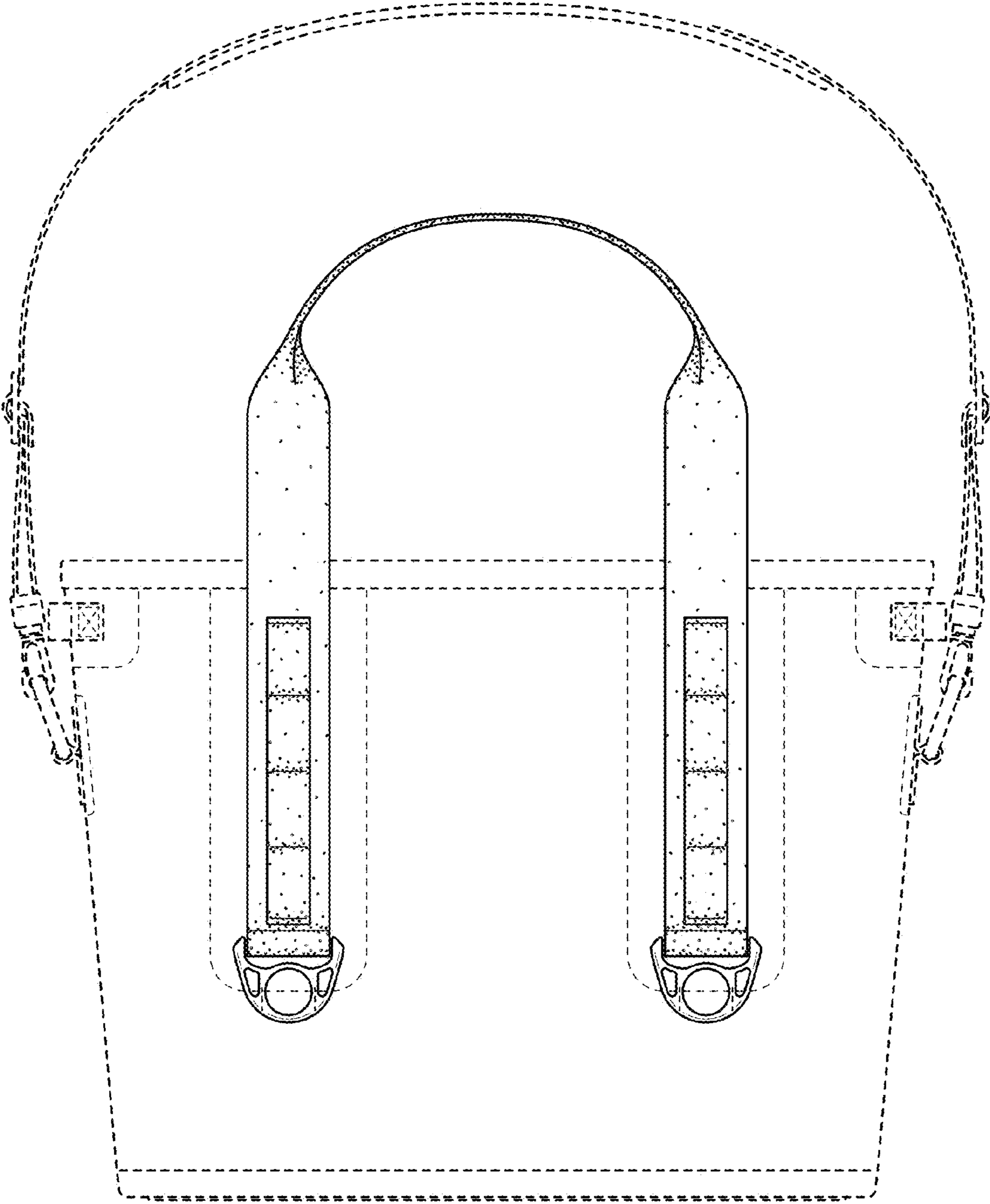


FIG. 2

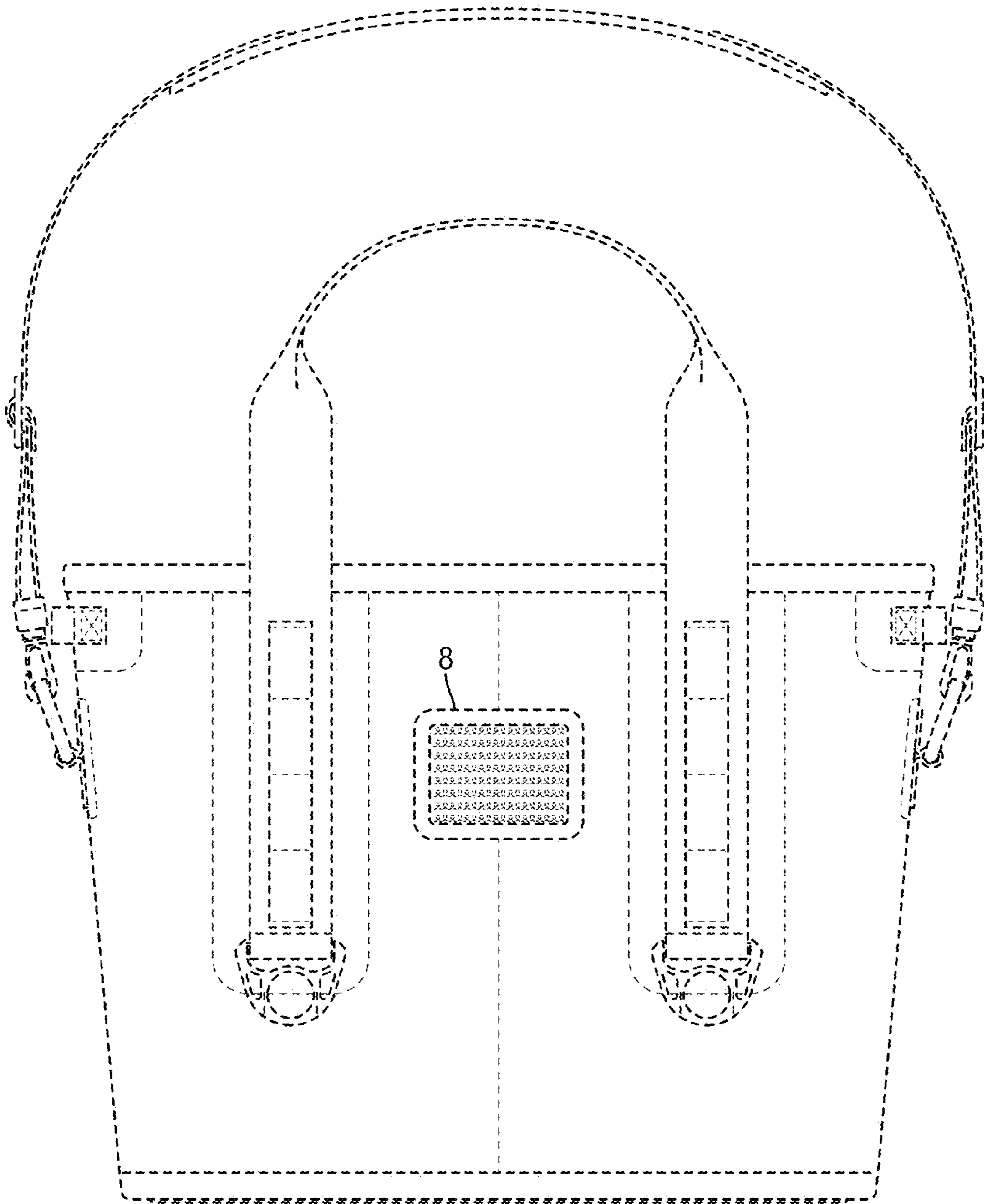


FIG. 3

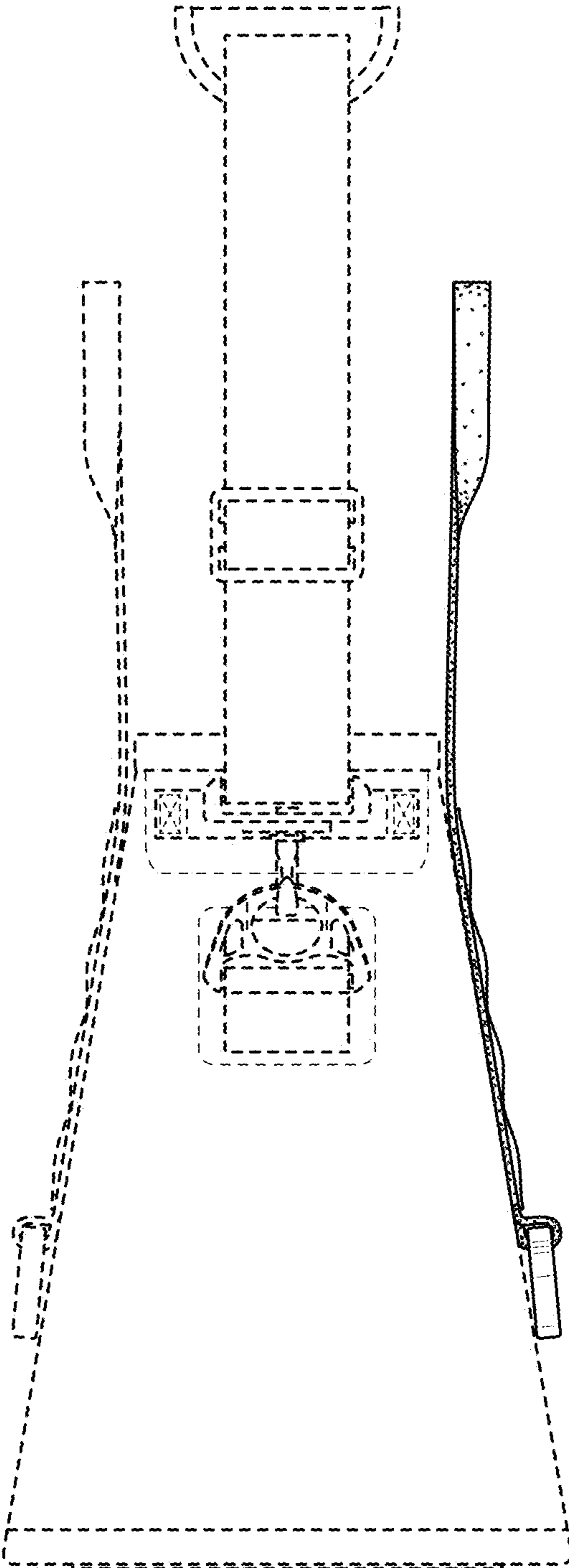


FIG. 4

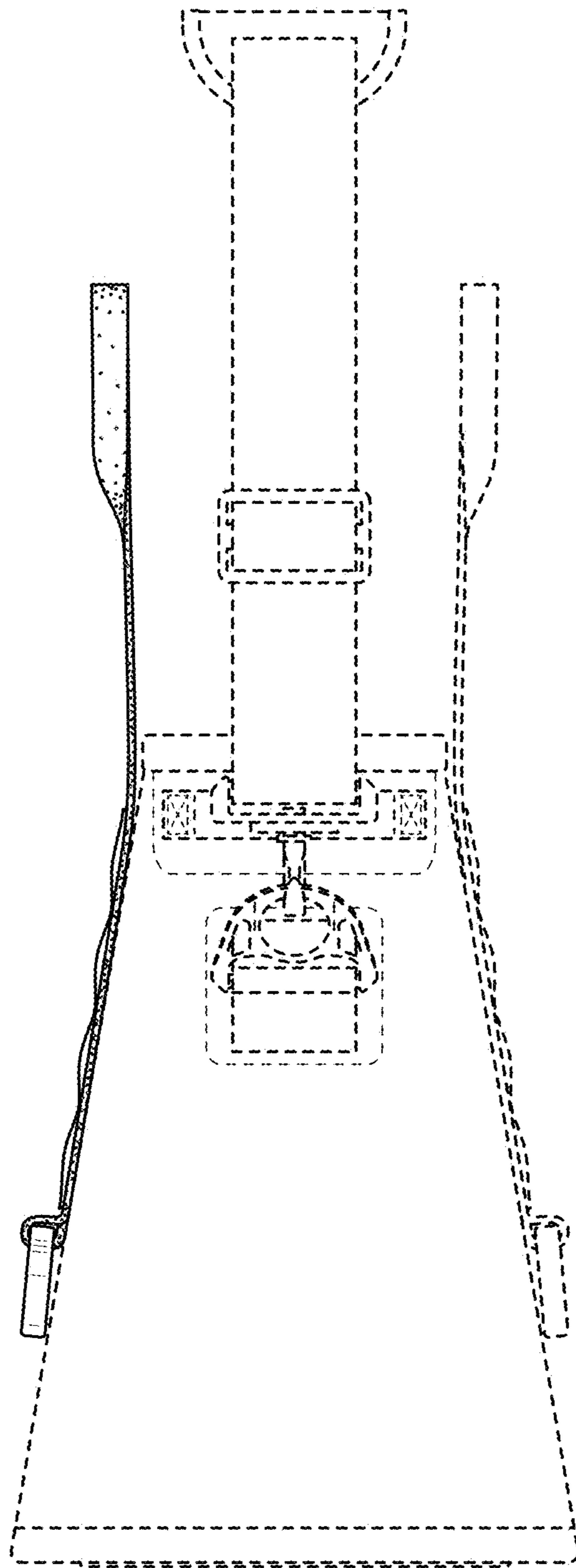


FIG. 5

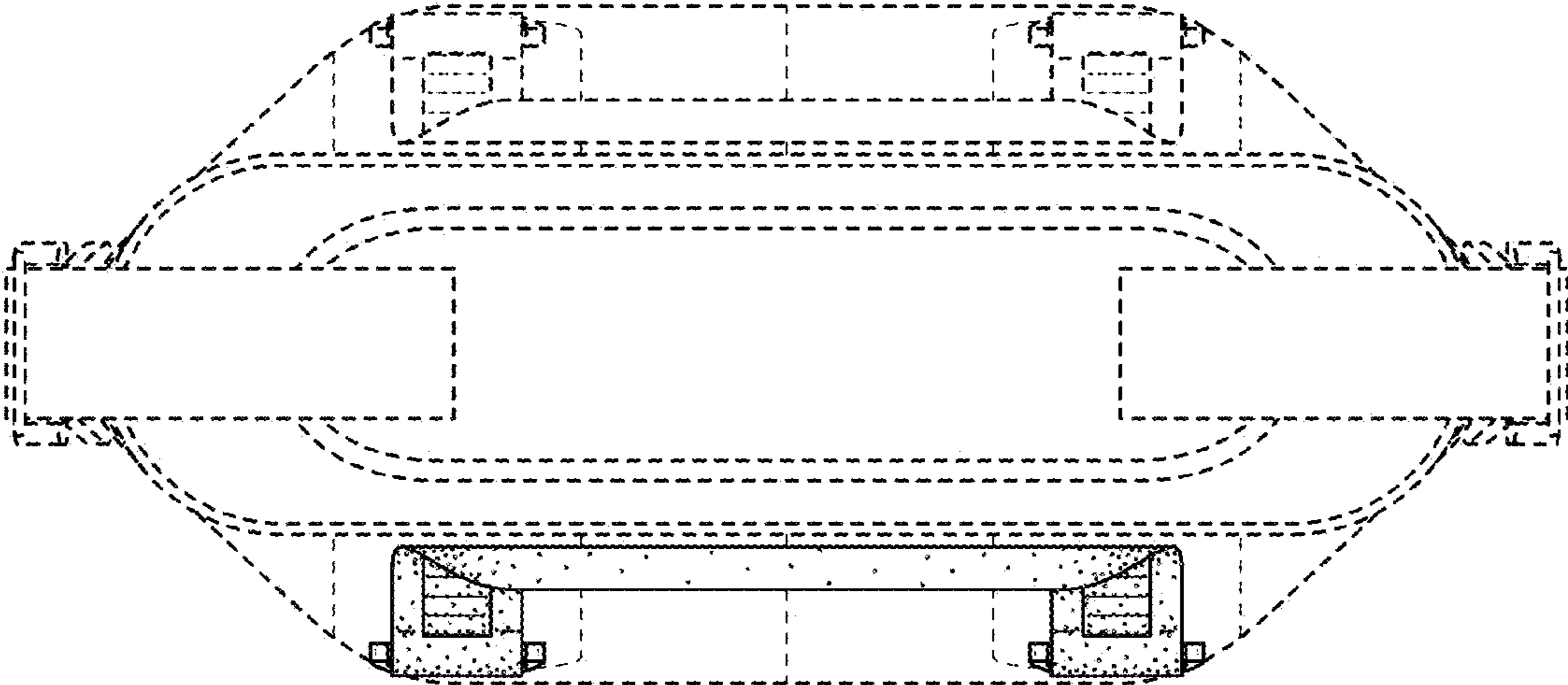


FIG. 6

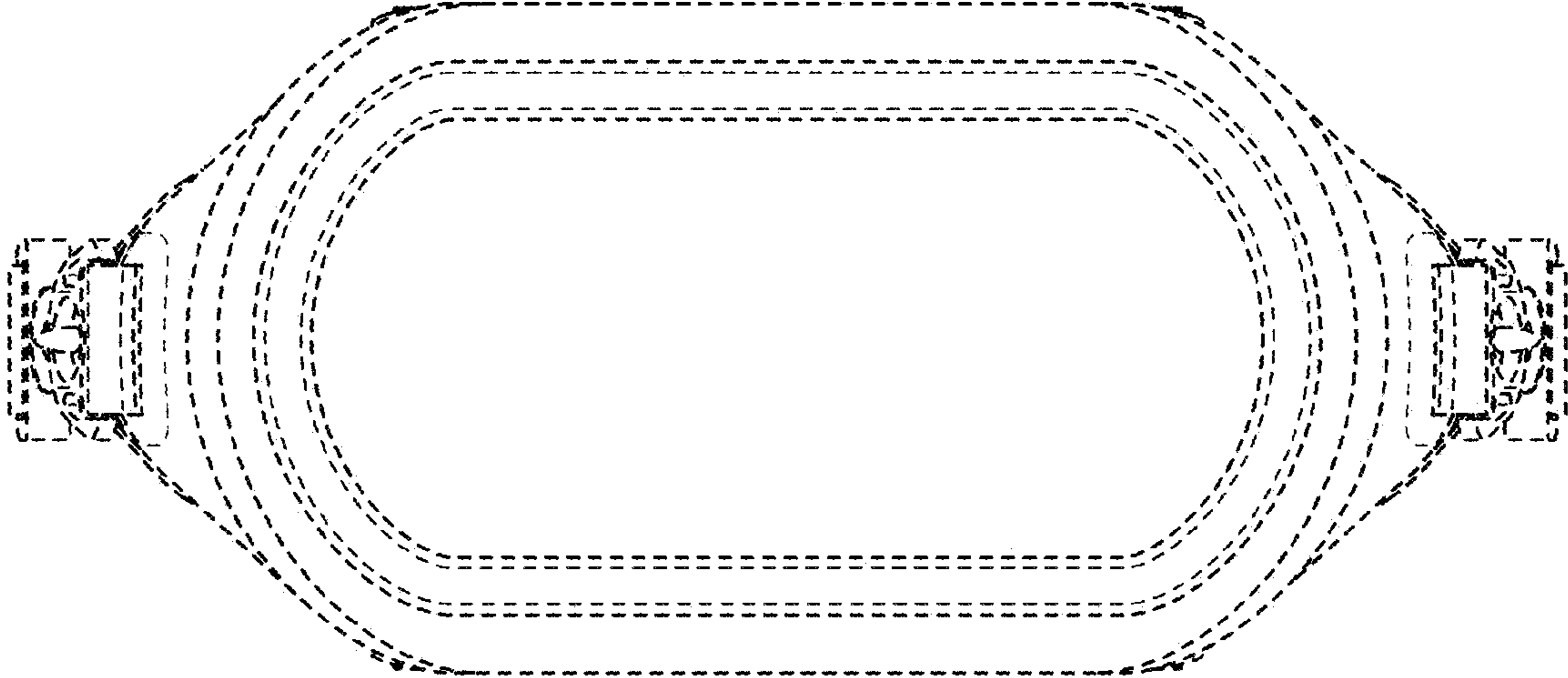


FIG. 7



FIG. 8