



US00D752345S

(12) **United States Design Patent**  
**Szucs et al.**

(10) **Patent No.:** **US D752,345 S**  
(45) **Date of Patent:** **\*\* Mar. 29, 2016**

- (54) **COLLAPSIBLE BAG**
- (71) Applicant: **Parallax Group International, LLC**,  
San Juan Capistrano, CA (US)
- (72) Inventors: **Peter Szucs**, Burbank, CA (US); **Bruce A. Thrush**, San Juan Capistrano, CA (US)
- (73) Assignee: **Parallax Group International, LLC**,  
San Juan Capistrano, CA (US)
- (\*\*) Term: **14 Years**
- (21) Appl. No.: **29/521,682**
- (22) Filed: **Mar. 25, 2015**
- (51) **LOC (10) Cl.** ..... **03-01**
- (52) **U.S. Cl.**  
USPC ..... **D3/305**
- (58) **Field of Classification Search**  
USPC ..... D3/20, 26, 304, 307-311, 315,  
D3/318-319, 321-322  
CPC ..... A45C 1/024; A45C 3/06  
See application file for complete search history.

D447,632 S *	9/2001	Gisser .....	D3/276
7,150,345 B2 *	12/2006	Redzisz .....	A45C 3/00 190/109
D630,013 S *	1/2011	Yu .....	D3/232
D648,533 S *	11/2011	Sosnovsky .....	D3/283
D670,500 S *	11/2012	Sosnovsky .....	D3/304
D703,438 S *	4/2014	Lee .....	D3/285
D717,040 S *	11/2014	Swartzel .....	D3/232
D739,654 S *	9/2015	Brouard .....	D3/276

\* cited by examiner

*Primary Examiner* — Kelley Donnelly  
(74) *Attorney, Agent, or Firm* — Fish & Tsang LLP

(57) **CLAIM**  
We claim the ornamental design for a collapsible bag, as shown and described.

**DESCRIPTION**

FIG. 1 is a top, front, right side perspective view of a collapsible bag in an expanded and opened position. The broken lines depicting hooks represent environmental matter and form no part of the claimed design.

FIG. 2 is a right side elevation view of a collapsible bag, the left side elevation view being a mirror image.

FIG. 3 is a front elevation view of a collapsible bag, the rear elevation view being a mirror image.

FIG. 4 is a top plan view of a collapsible bag.

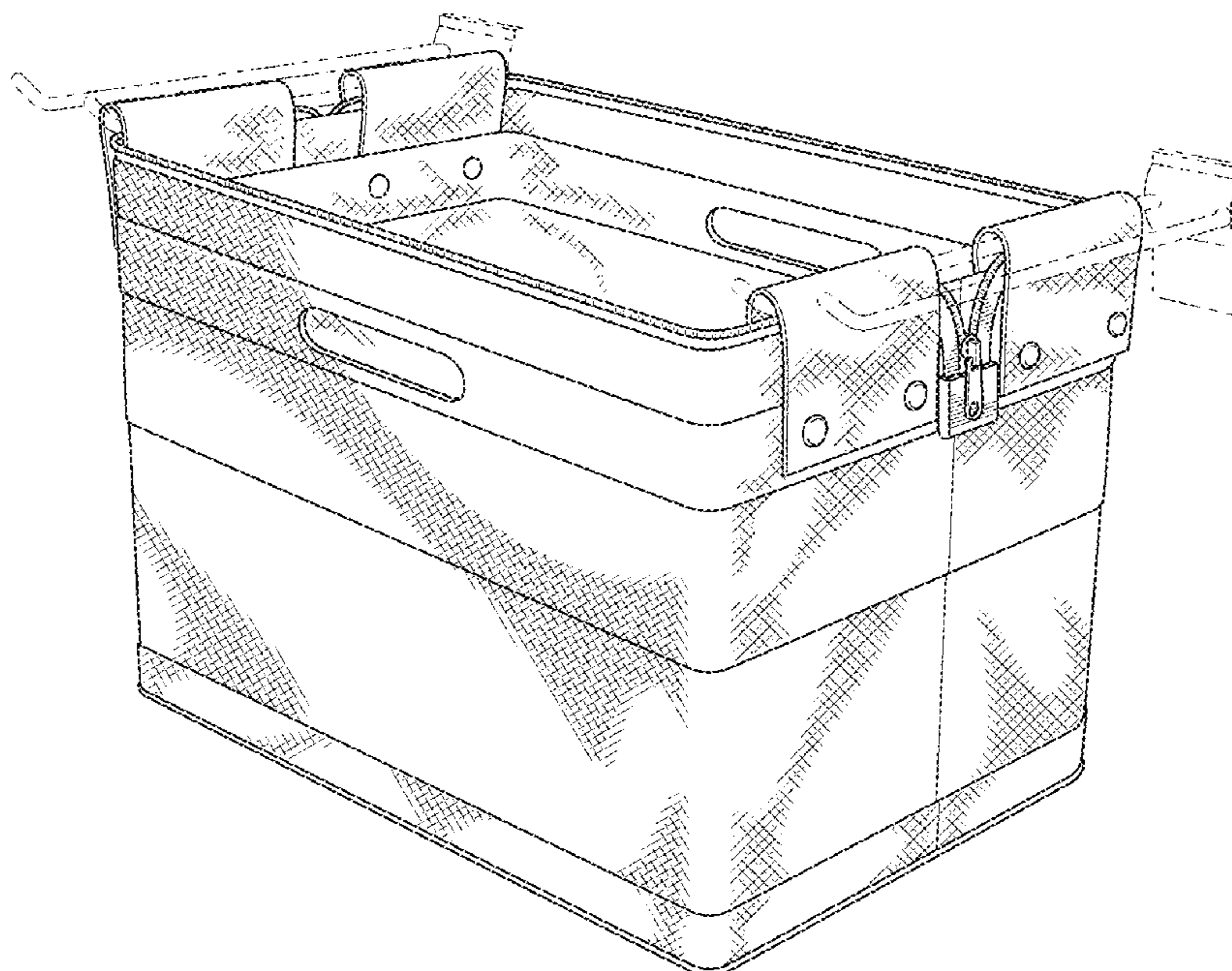
FIG. 5 is a bottom plan view of a collapsible bag.

FIG. 6 is a top, front, right side perspective view of a collapsible bag in a collapsed and opened position; and,

FIG. 7 is a top, front, left side perspective view of a collapsible bag in an expanded and closed position.

**1 Claim, 7 Drawing Sheets**

- (56) **References Cited**  
U.S. PATENT DOCUMENTS  
D334,839 S \* 4/1993 Dancyger ..... D3/246  
5,873,504 A \* 2/1999 Farmer ..... A45C 3/00  
150/113  
6,126,003 A \* 10/2000 Brouard ..... B25H 3/00  
206/372



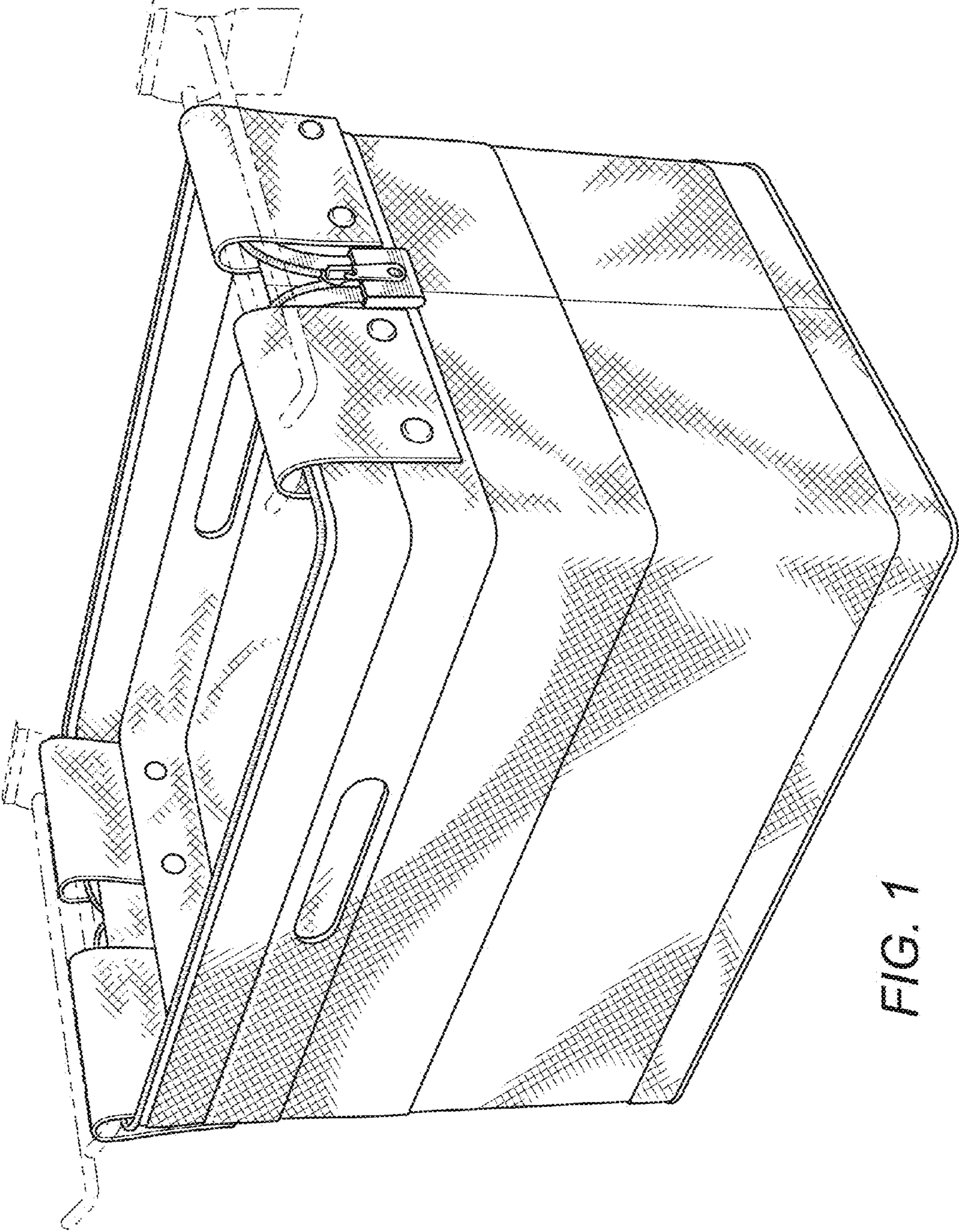


FIG. 1

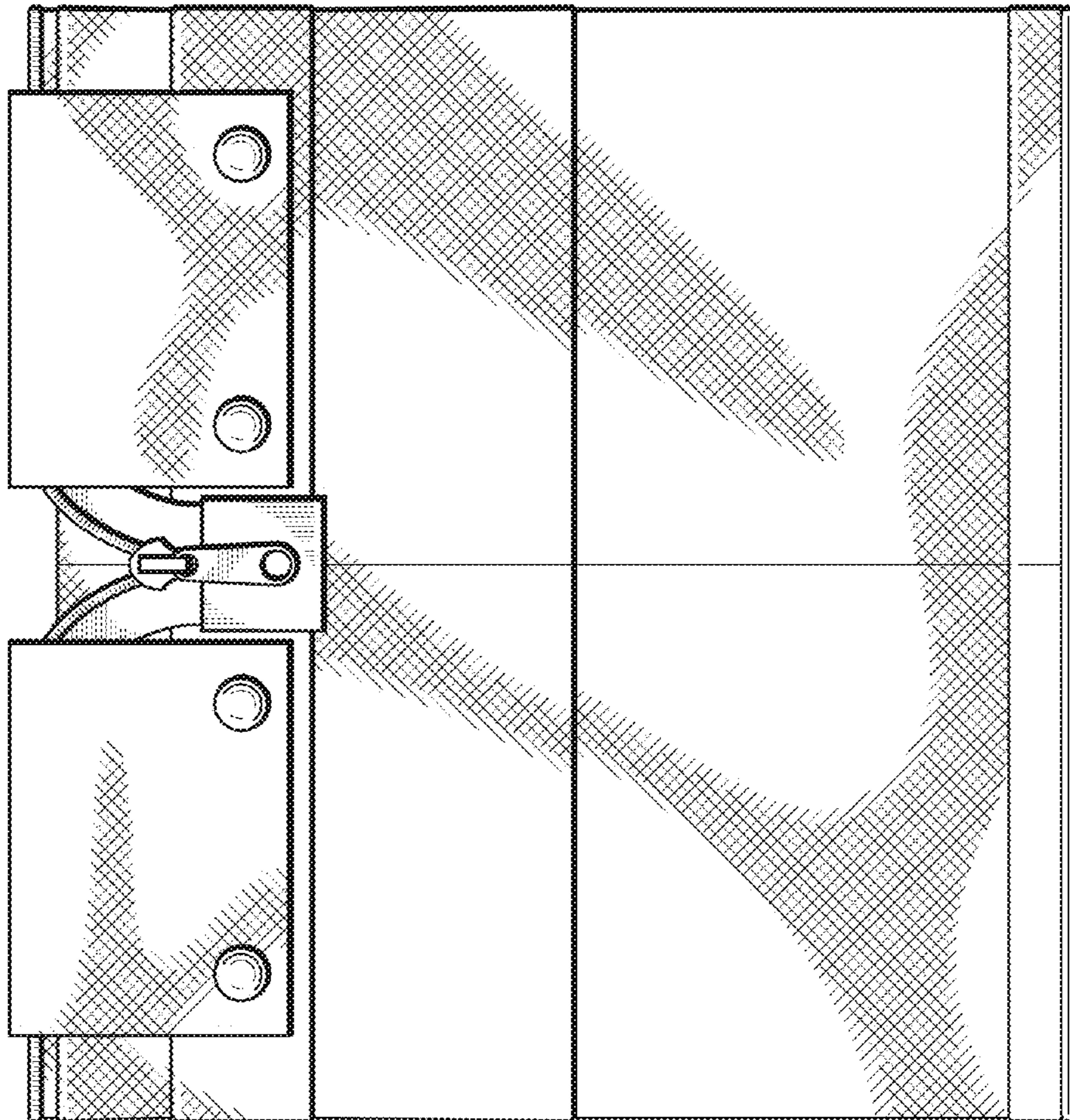


FIG. 2

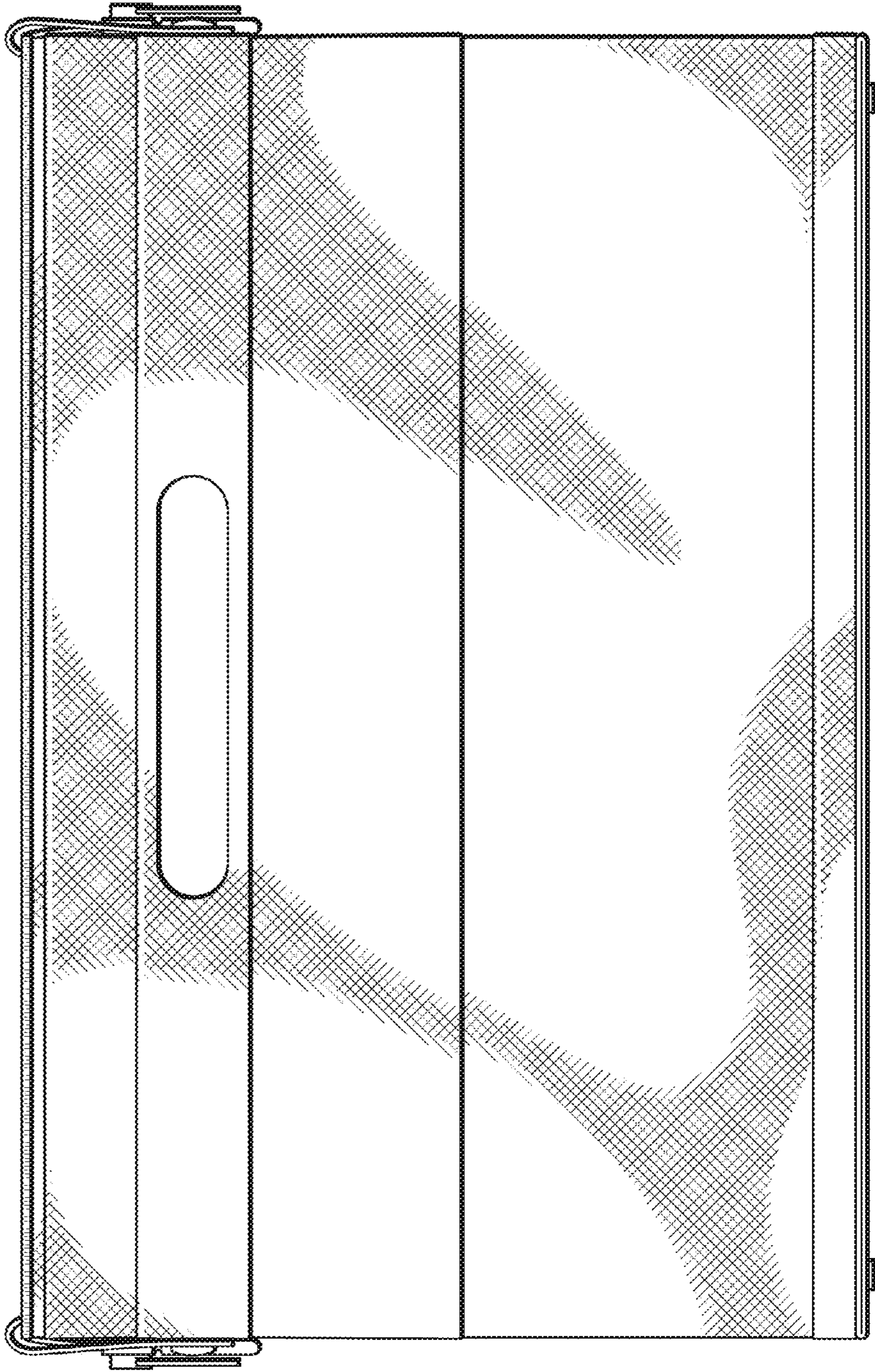


FIG. 3

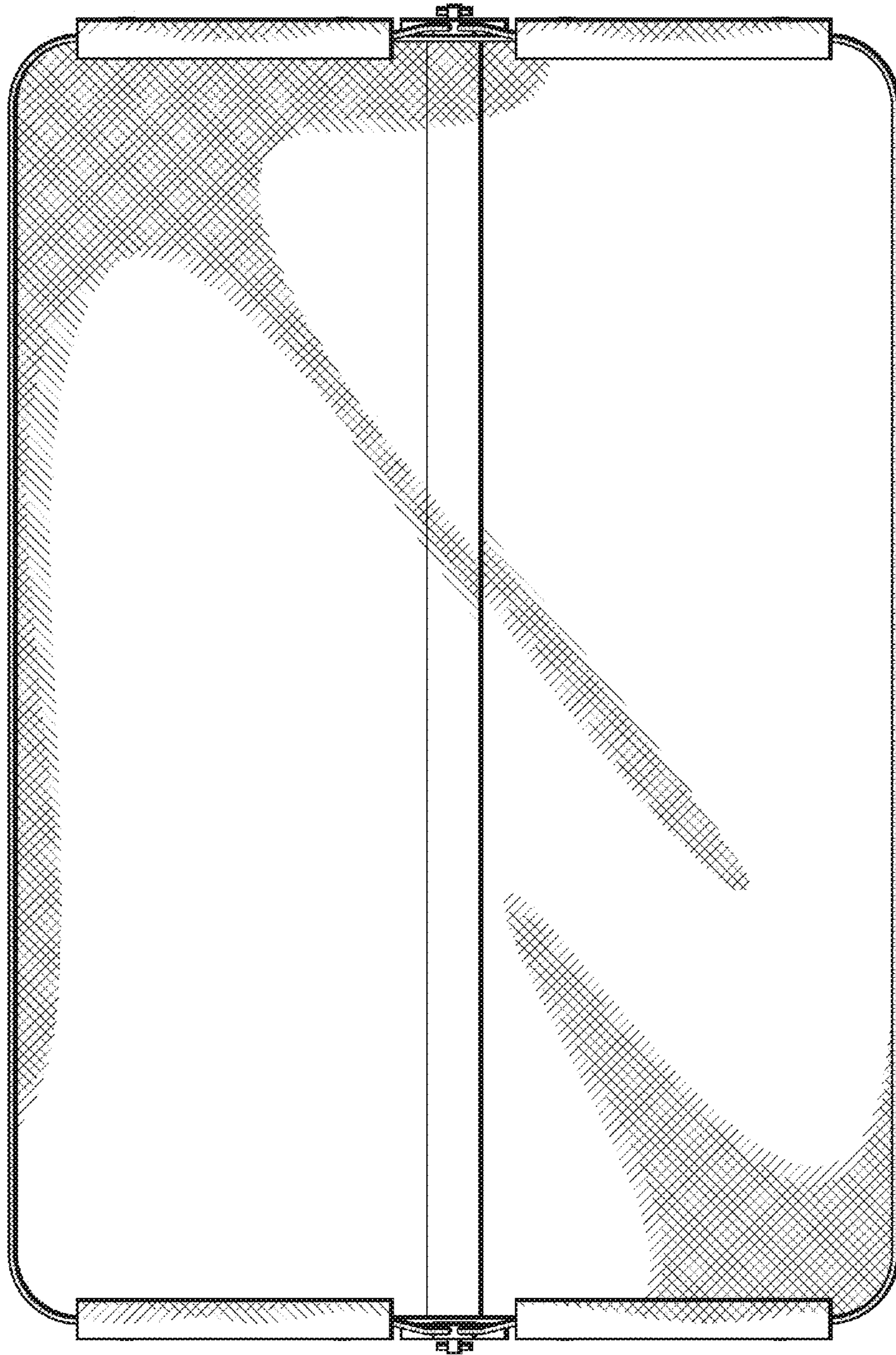


FIG. 4

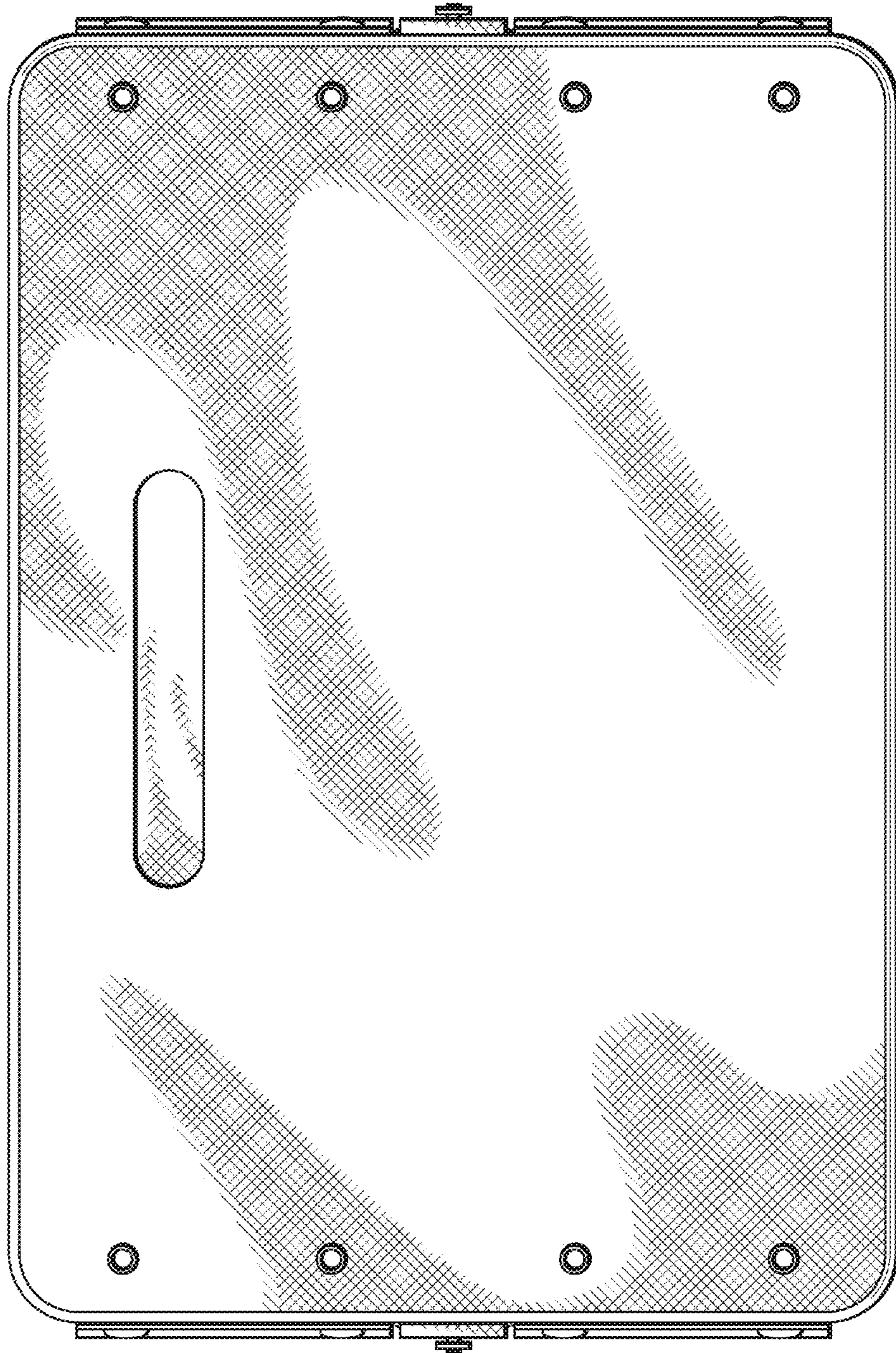
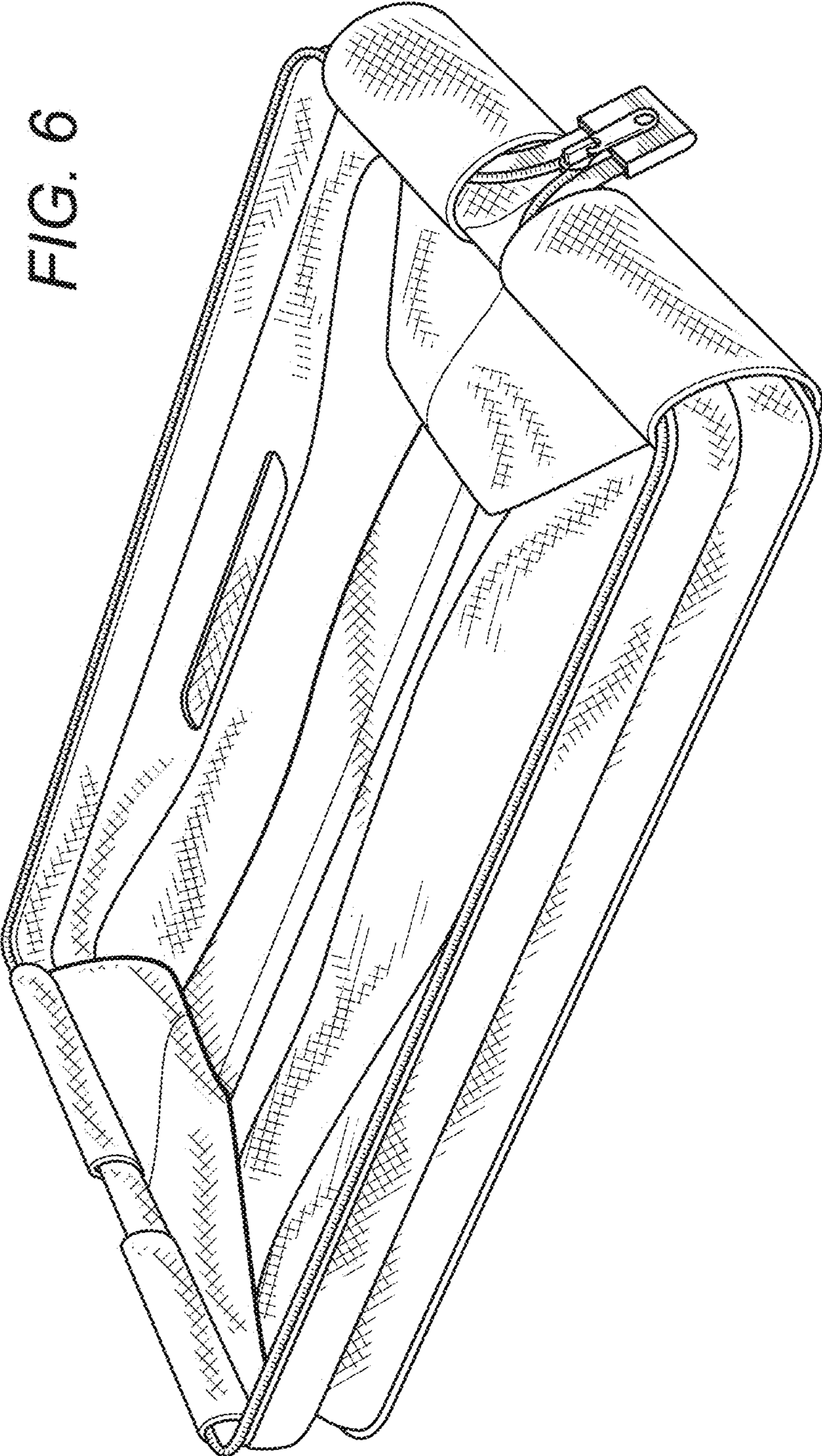


FIG. 5

FIG. 6



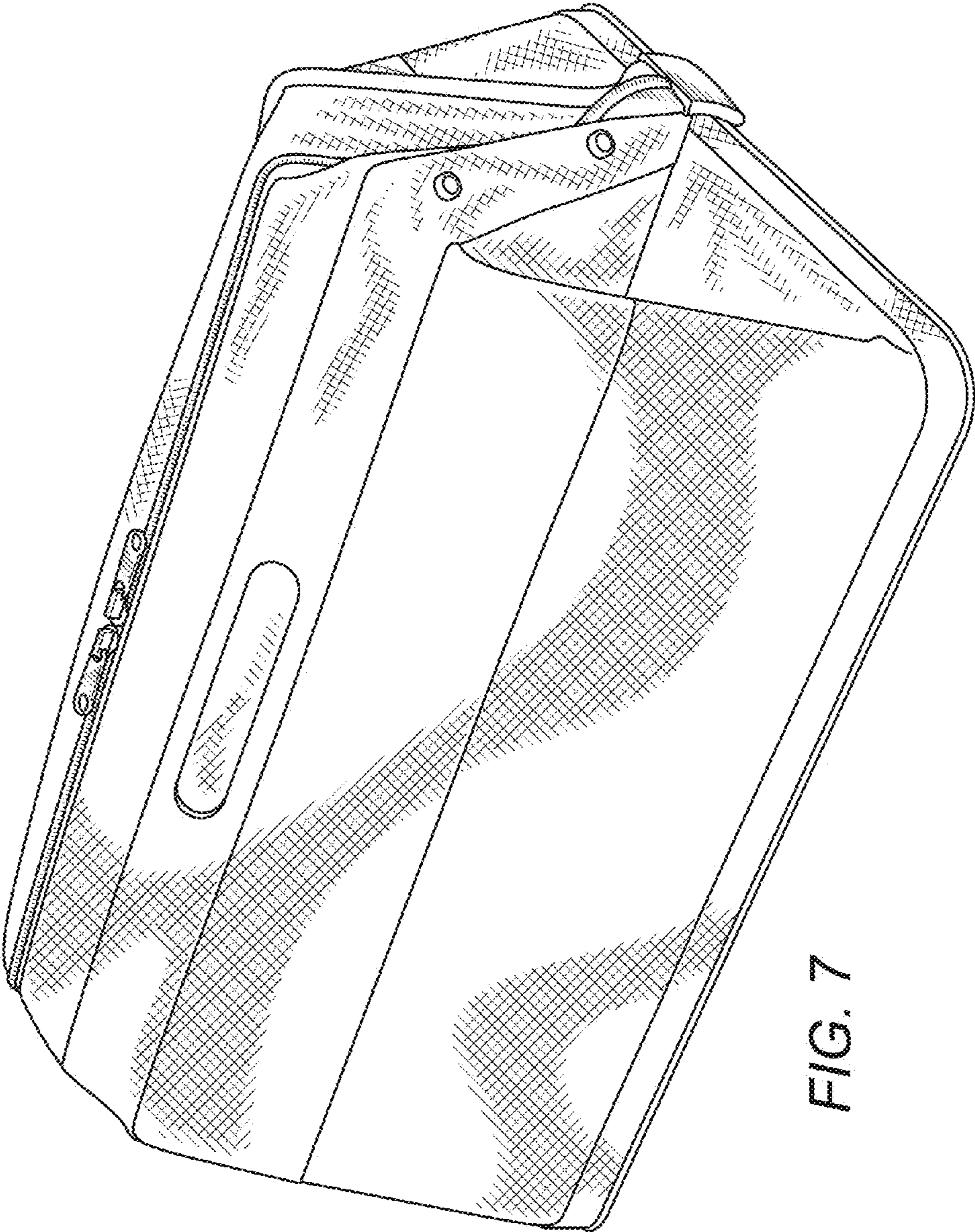


FIG. 7