



US00D752343S

(12) **United States Design Patent**
Kohama

(10) **Patent No.:** **US D752,343 S**
(45) **Date of Patent:** **** Mar. 29, 2016**

- (54) **GOLF ACCESSORY ORGANIZER**
- (71) Applicant: **Yu Kohama**, Chula Vista, CA (US)
- (72) Inventor: **Yu Kohama**, Chula Vista, CA (US)
- (**) Term: **14 Years**
- (21) Appl. No.: **29/501,389**
- (22) Filed: **Sep. 3, 2014**
- (51) **LOC (10) Cl.** **03-01**
- (52) **U.S. Cl.**
USPC **D3/221**
- (58) **Field of Classification Search**
USPC D3/221, 224, 226; 224/197, 922, 918,
224/666, 576, 679, 236, 269, 223, 673-674,
224/681-682, 684; 206/315.1
CPC A45F 5/00; A45F 5/02; A45F 5/021;
A63B 47/001; A63B 55/408; A63B 57/00;
B65D 23/08; A45C 11/20
See application file for complete search history.

D543,024 S 5/2007 More
D550,956 S 9/2007 Kendrick
D639,048 S * 6/2011 Bussard D3/221

* cited by examiner

Primary Examiner — Catheri Oliver-Garcia
(74) *Attorney, Agent, or Firm* — LambentIP

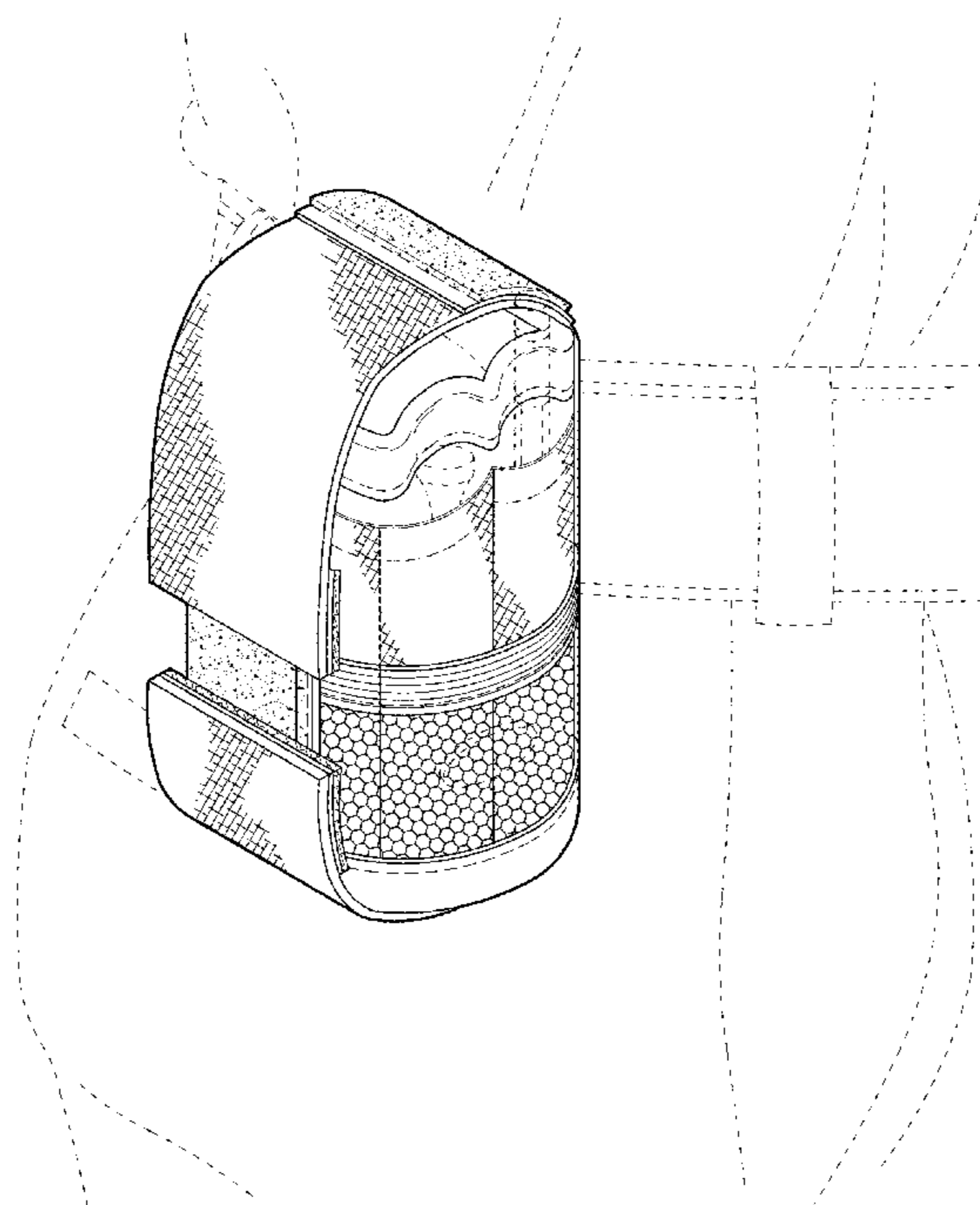
(57) **CLAIM**
The ornamental design for a golf accessory organizer, as shown and described.

DESCRIPTION

FIG. 1 is a perspective view of a golf accessory organizer showing my design. The golf accessory organizer may be worn by a belt of a user, for example, as shown in broken lines. FIG. 2 is a front view thereof with top and bottom flaps open. FIG. 3 is a rear view thereof with the top and bottom flaps open. FIG. 4 is a left side view thereof with the top and bottom flaps open. FIG. 5 is a right side view thereof with the top and bottom flaps open. FIG. 6 is a top view thereof with the top and bottom flaps open; and, FIG. 7 is a bottom view thereof with the top and bottom flaps open. The broken lines depicting environmental structure, including part of a user in FIG. 1 and golfing accessories, including golf balls and golf tees in FIGS. 1-7, are for illustrative purposes only and form no part of the claim design.

1 Claim, 4 Drawing Sheets

- (56) **References Cited**
U.S. PATENT DOCUMENTS
- 2,536,725 A * 1/1951 Cleveland A63B 55/408
206/315.1
- 2,558,382 A * 6/1951 Previdi A63B 47/001
224/674
- 3,753,519 A * 8/1973 Gammon A63B 57/00
206/315.1
- 5,048,734 A * 9/1991 Long A45C 11/20
224/236
- 5,934,530 A 8/1999 Antczak et al.
- 6,769,587 B1 * 8/2004 Lomas A45F 5/02
224/269



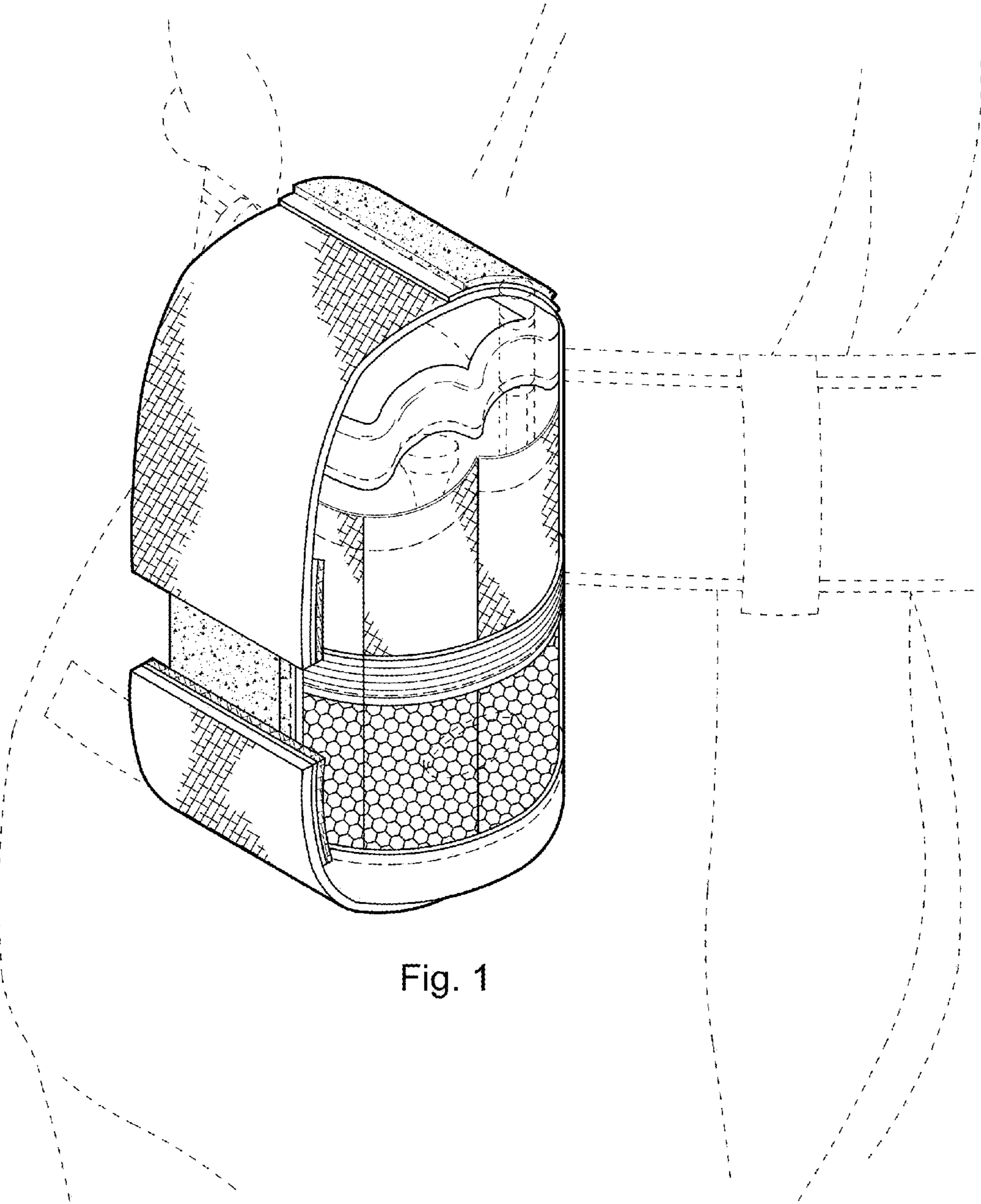


Fig. 1

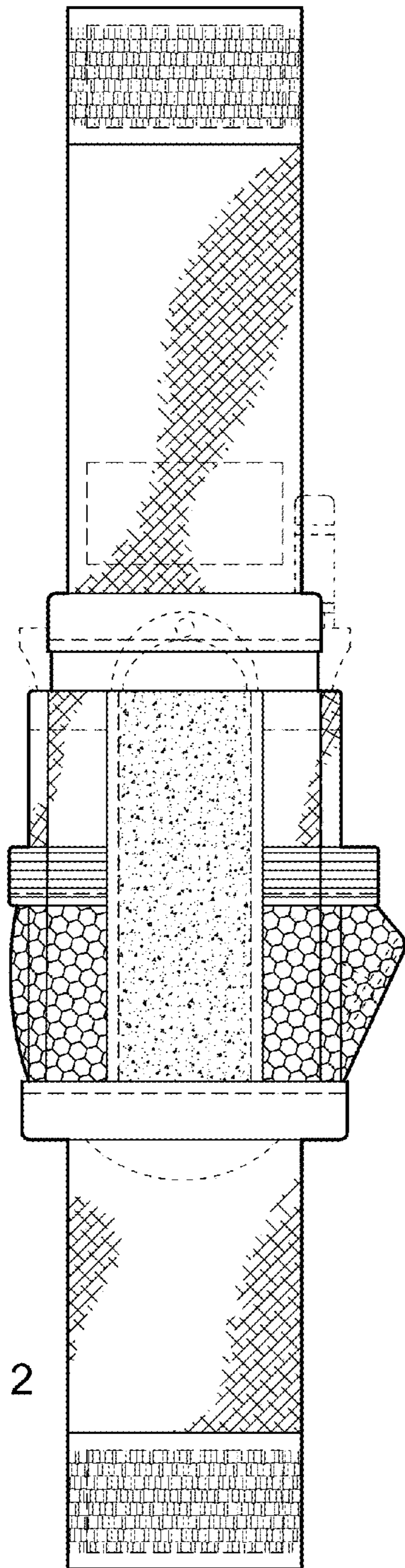


Fig. 2

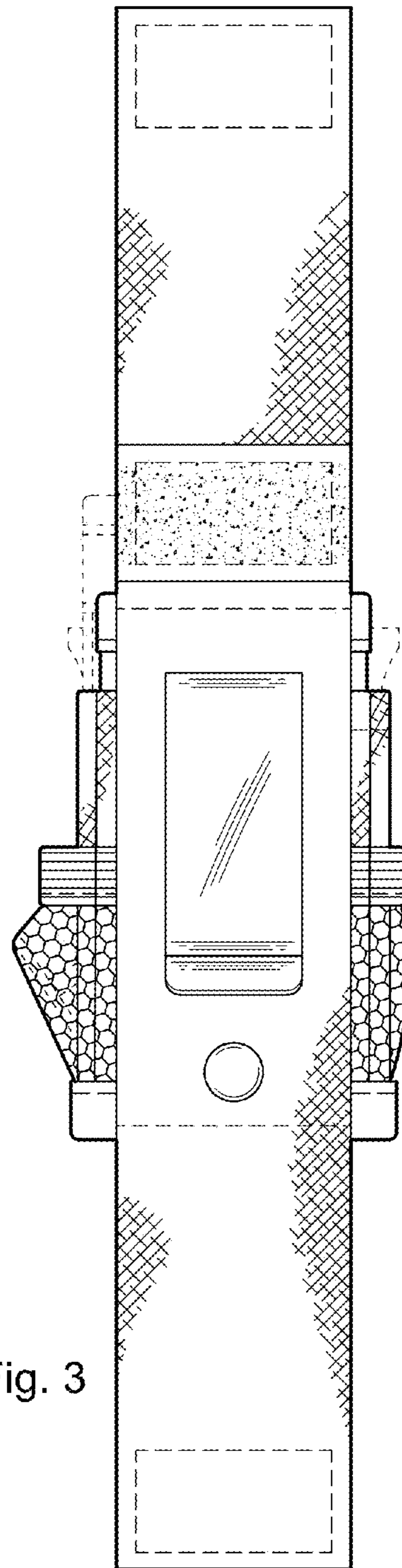
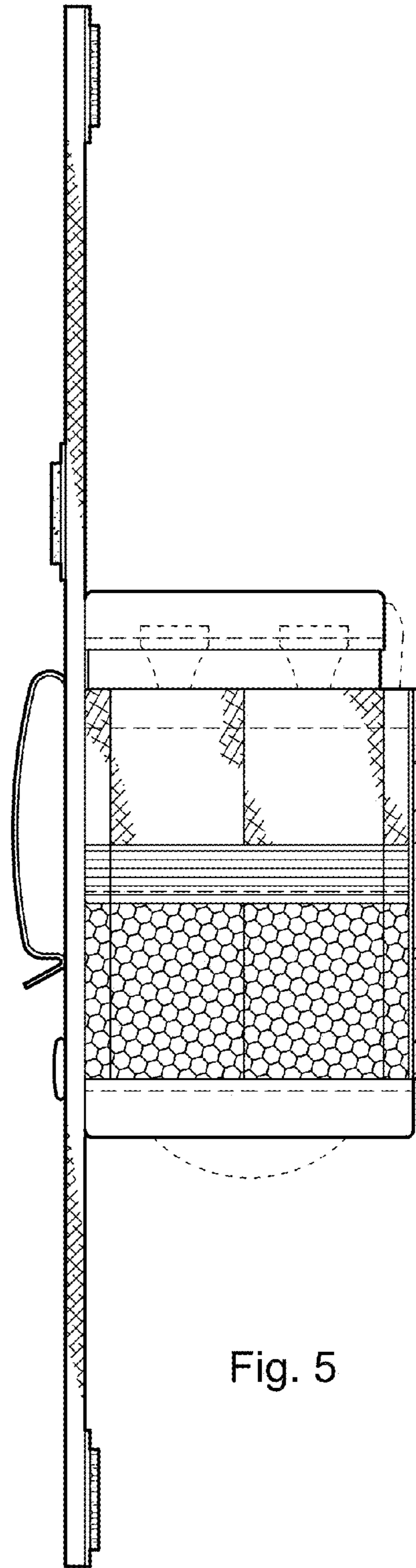
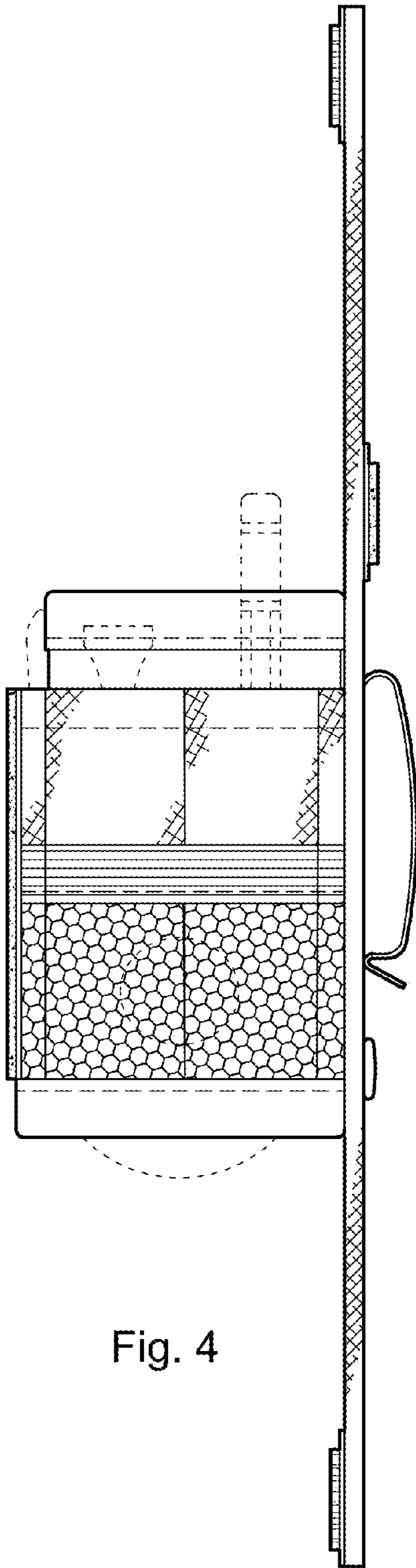


Fig. 3



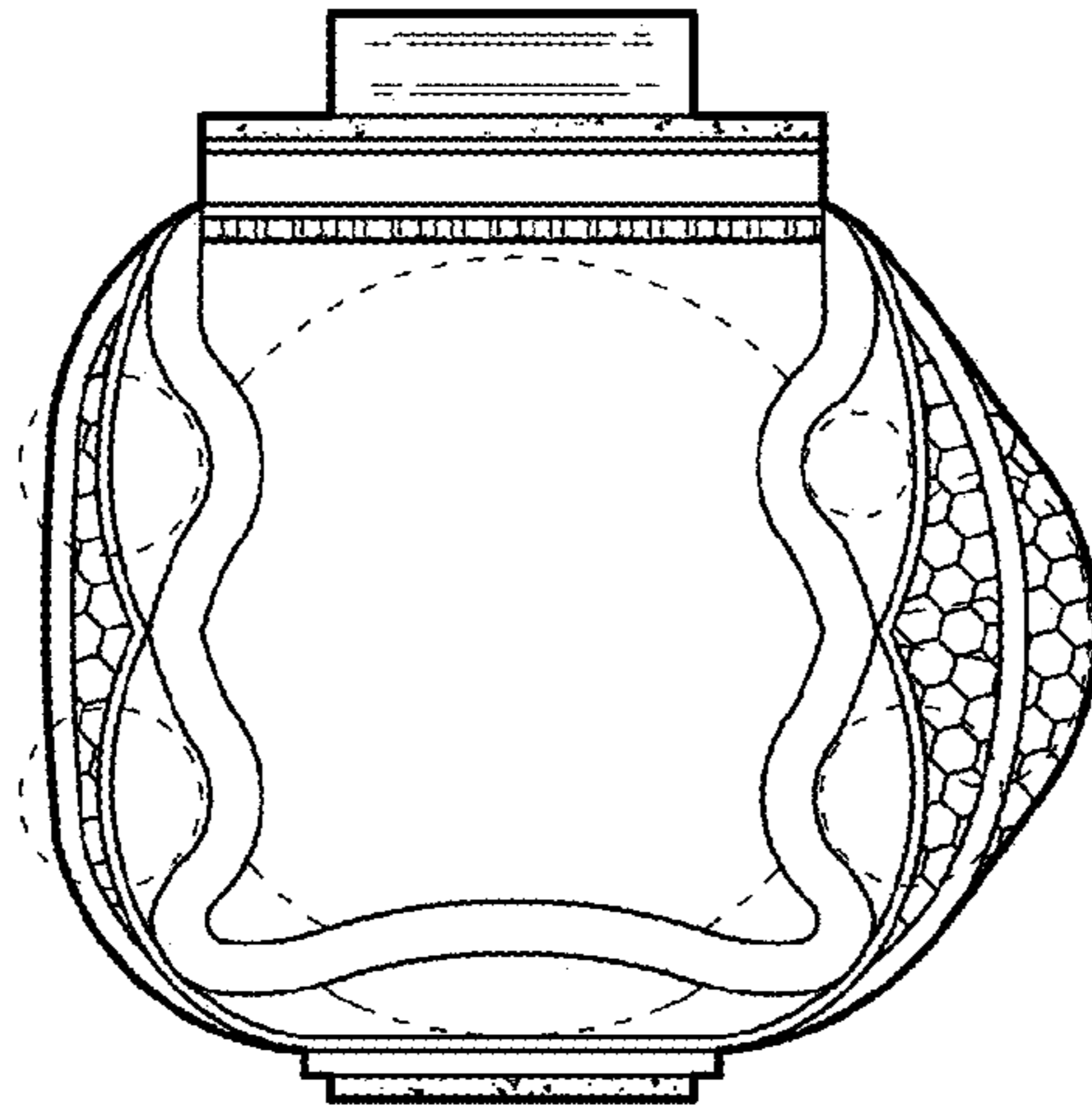


Fig. 6

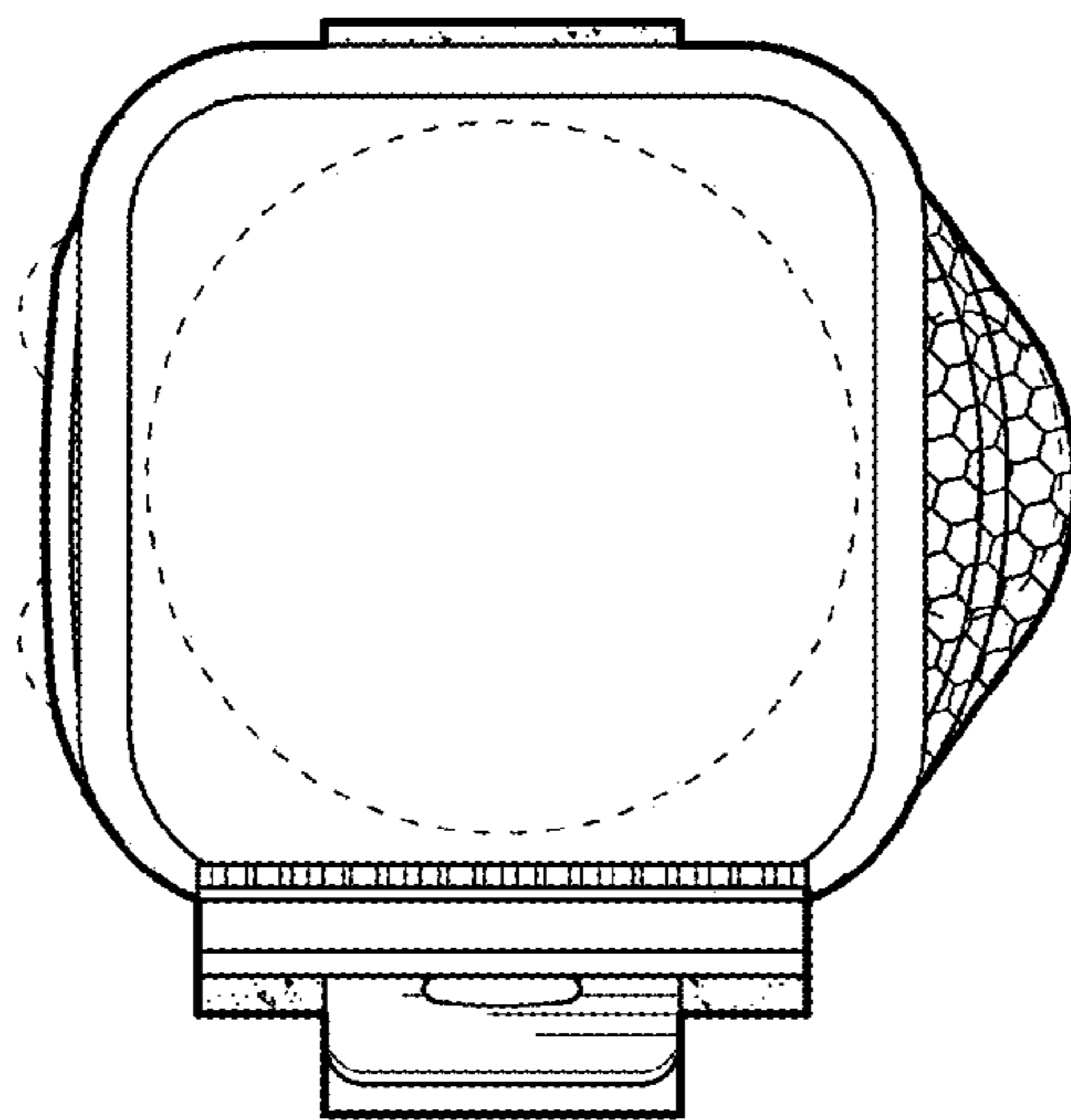


Fig. 7