



US00D752340S

(12) **United States Design Patent**  
**Webb et al.**

(10) **Patent No.:** **US D752,340 S**  
(45) **Date of Patent:** **\*\* Mar. 29, 2016**

- (54) **WEARABLE KEY FOB CLIP**
- (71) Applicant: **DENSO International America, Inc.**,  
Southfield, MI (US)
- (72) Inventors: **Gareth Webb**, Farmington, MI (US);  
**Michael Lozano**, Detroit, MI (US)
- (73) Assignee: **DENSO International America, Inc.**,  
Southfield, MI (US)
- (\*\*) Term: **14 Years**
- (21) Appl. No.: **29/526,078**
- (22) Filed: **May 6, 2015**
- (51) **LOC (10) Cl.** ..... **03-01**
- (52) **U.S. Cl.**  
USPC ..... **D3/208**
- (58) **Field of Classification Search**  
USPC ..... D3/207-212; 70/456 B, 457, 458, 408;  
D13/168, 347; D8/347; D10/104;  
D14/496; 206/37.1; D11/3; 63/5.1;  
224/218  
CPC ..... H04B 1/034; F04B 15/00; H05K 7/14  
See application file for complete search history.

- D725,607 S \* 3/2015 Kandler ..... D13/168
- 9,010,162 B2 \* 4/2015 Thyn ..... A45C 11/324  
70/456 R
- D733,074 S \* 6/2015 Kandler ..... D13/168
- D737,566 S \* 9/2015 Gaddis ..... D3/208
- D744,745 S \* 12/2015 Fischer ..... D3/208

\* cited by examiner

*Primary Examiner* — Ralf Seifert

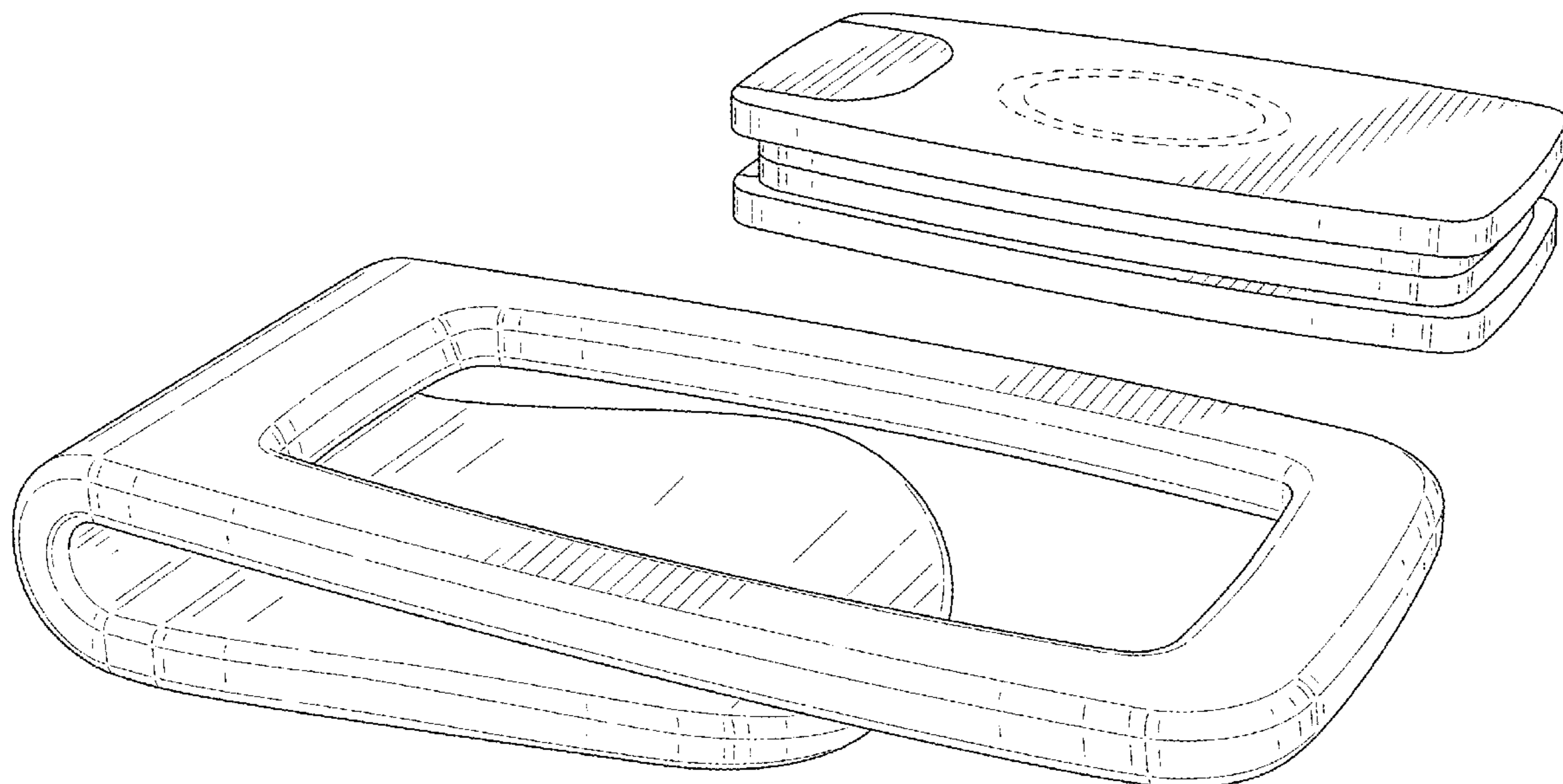
(57) **CLAIM**  
The ornamental design for wearable key fob clip, as shown and described.

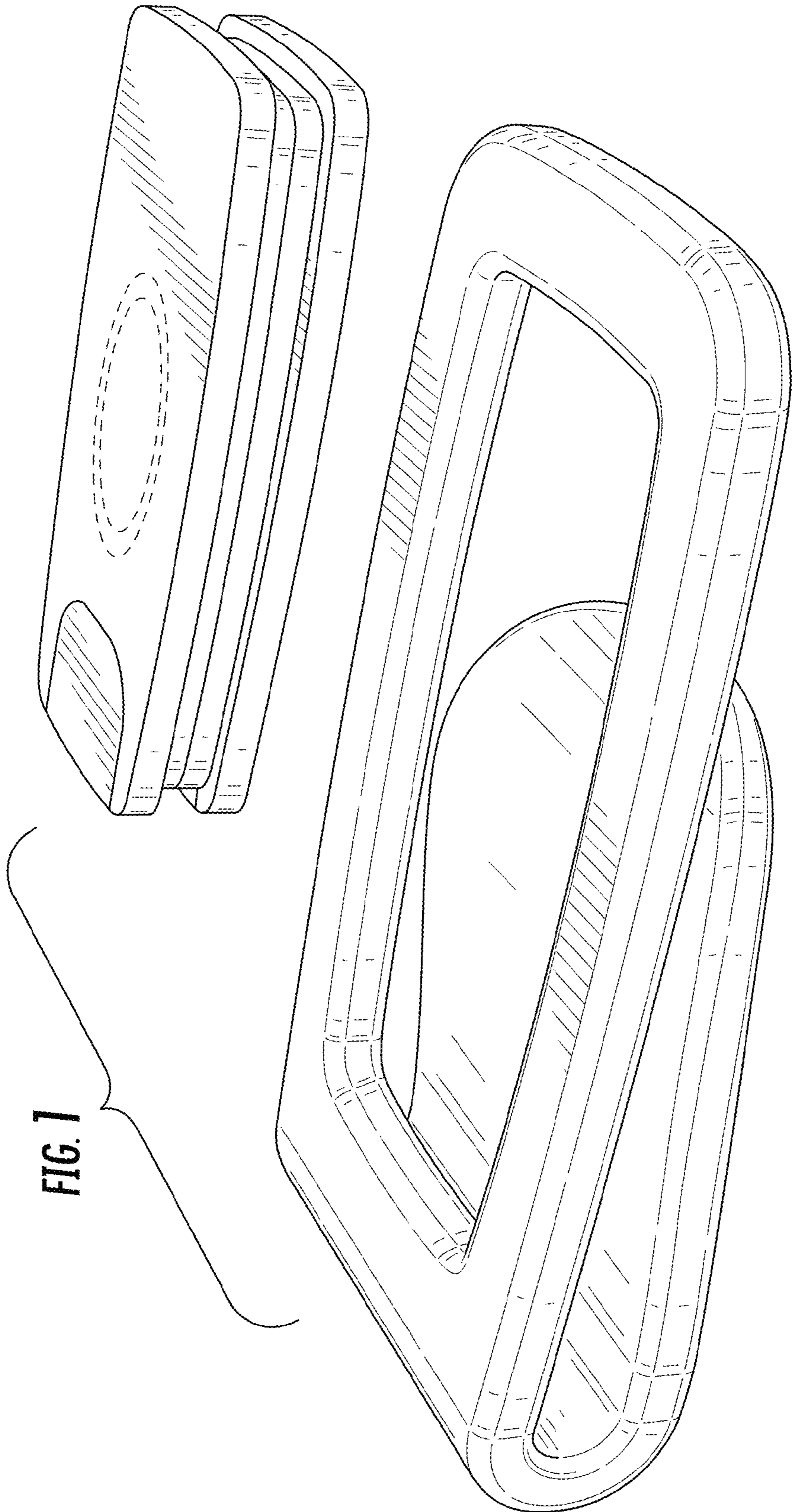
**DESCRIPTION**

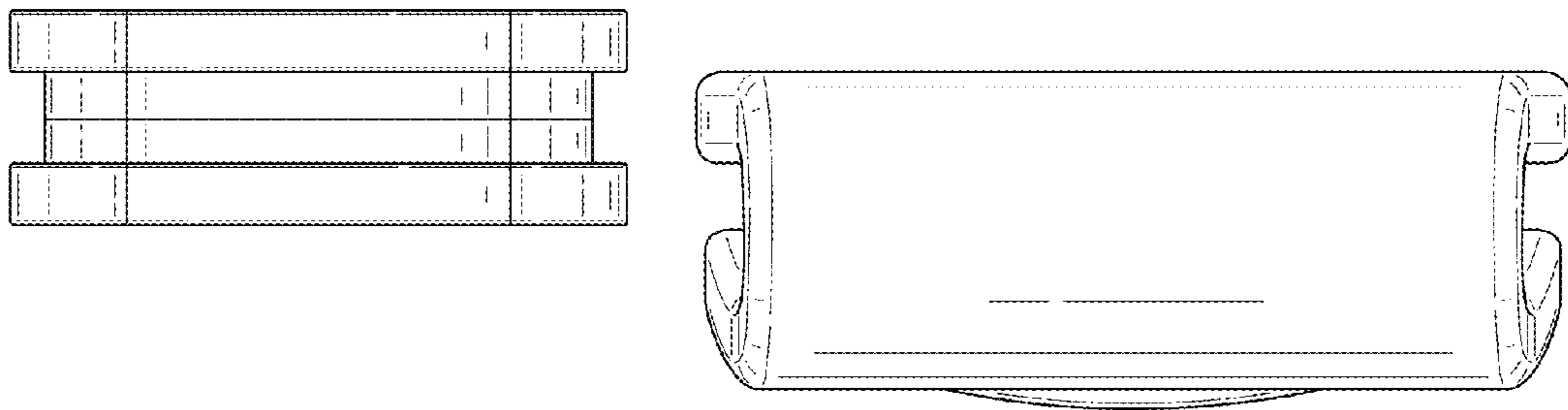
FIG. 1 is an perspective view illustrating an embodiment of a wearable key fob clip of the claimed design;  
 FIG. 2 is an front view of the wearable key fob clip shown in FIG. 1;  
 FIG. 3 is a back view of the wearable key fob clip shown in FIG. 1;  
 FIG. 4 is a right view of the wearable key fob clip shown in FIG. 1;  
 FIG. 5 is a left view of the wearable key fob clip shown in FIG. 1;  
 FIG. 6 is a top view of the wearable key fob clip shown in FIG. 1; and,  
 FIG. 7 is a bottom view of the wearable key fob clip shown in FIG. 1.  
 The broken line showing of dual ovals in FIGS. 1 and 6 is included for the purpose of illustrating non-claimed environmental matter and forms no part of the claimed design.

**1 Claim, 7 Drawing Sheets**

- (56) **References Cited**  
U.S. PATENT DOCUMENTS
- D406,779 S \* 3/1999 Pinardi ..... D10/104.1
- D557,111 S \* 12/2007 Ydremark ..... D13/168
- D560,352 S \* 1/2008 Cadiz ..... D3/208
- 7,604,176 B2 \* 10/2009 Bates ..... G06K 19/005  
206/37
- D666,408 S \* 9/2012 Neely, III ..... D3/208







**FIG. 2**

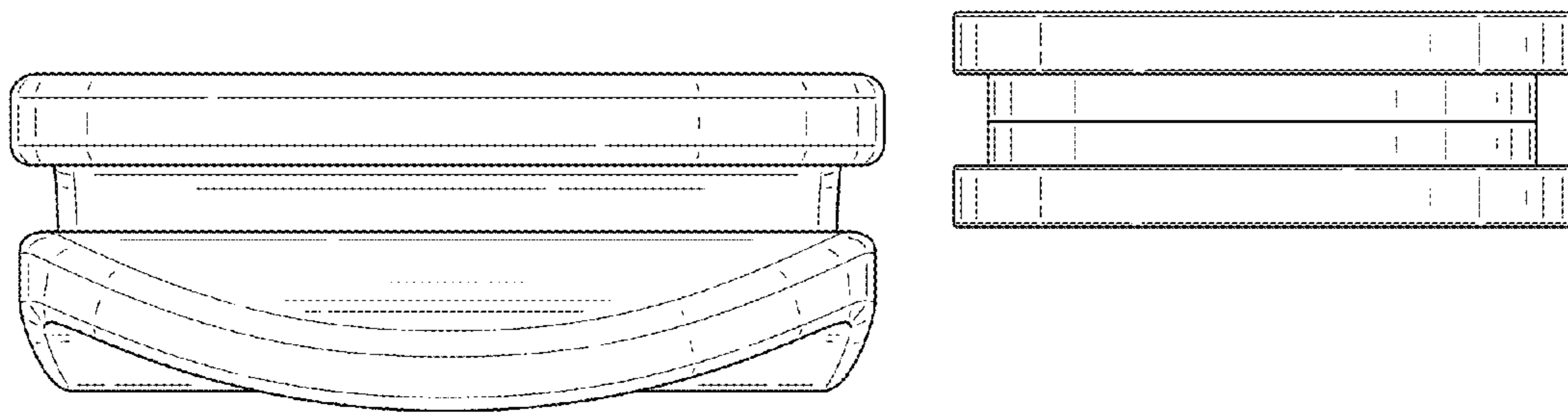


FIG. 3

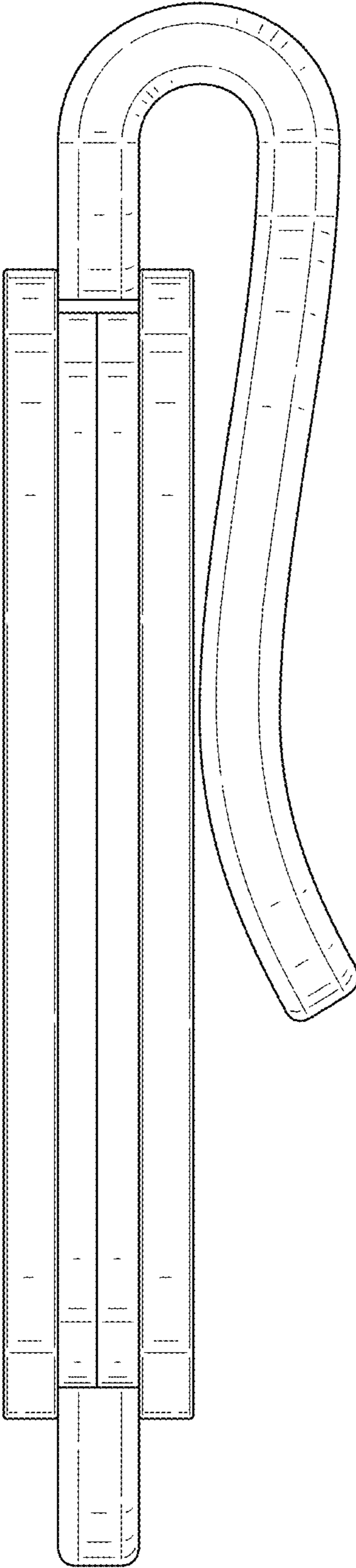


FIG. 4

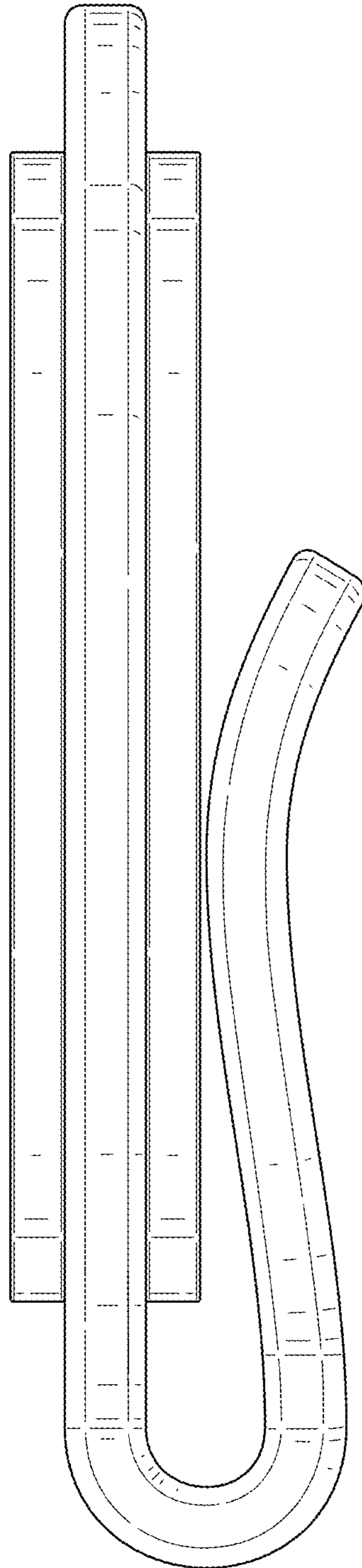


FIG. 5

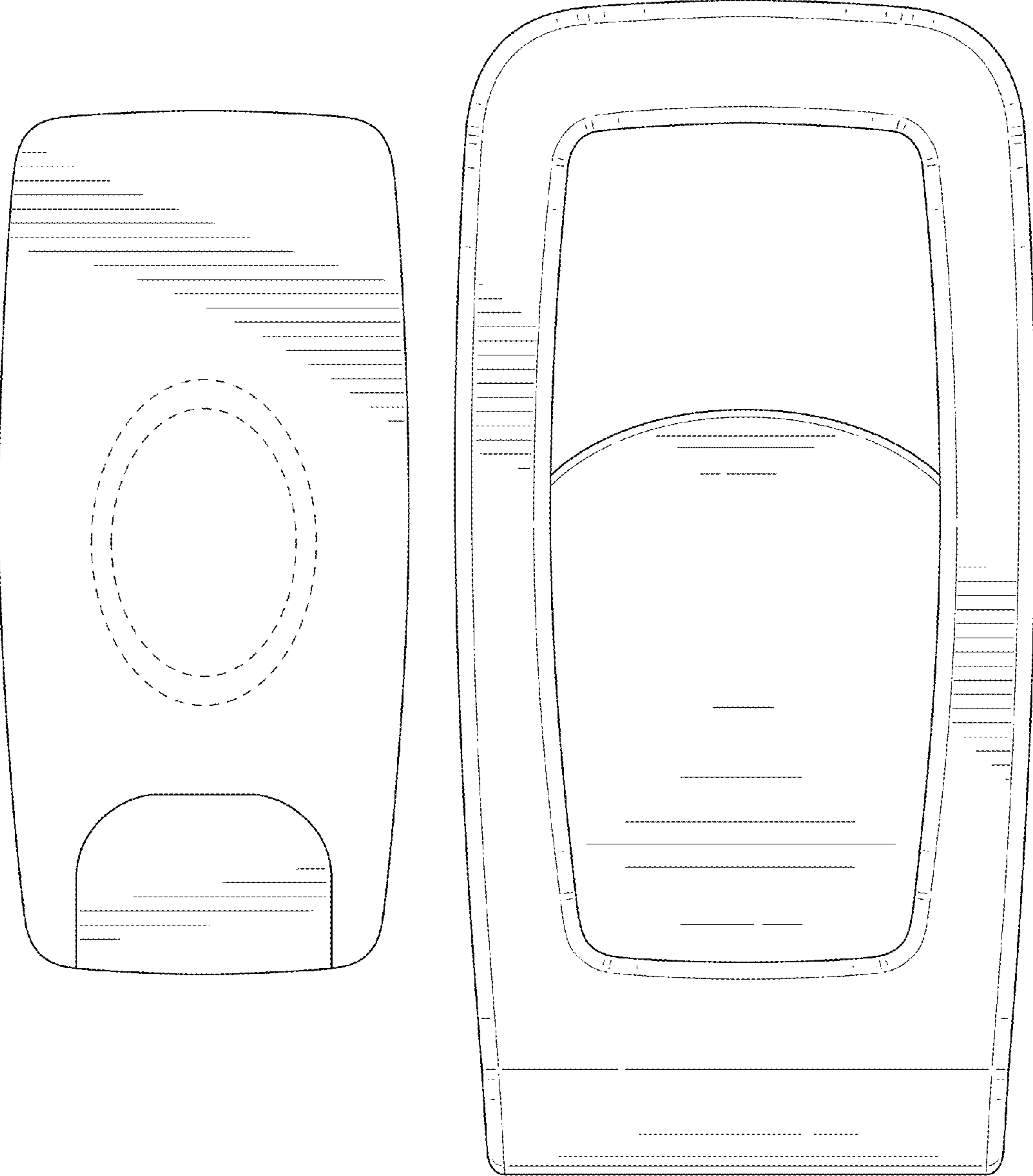


FIG. 6

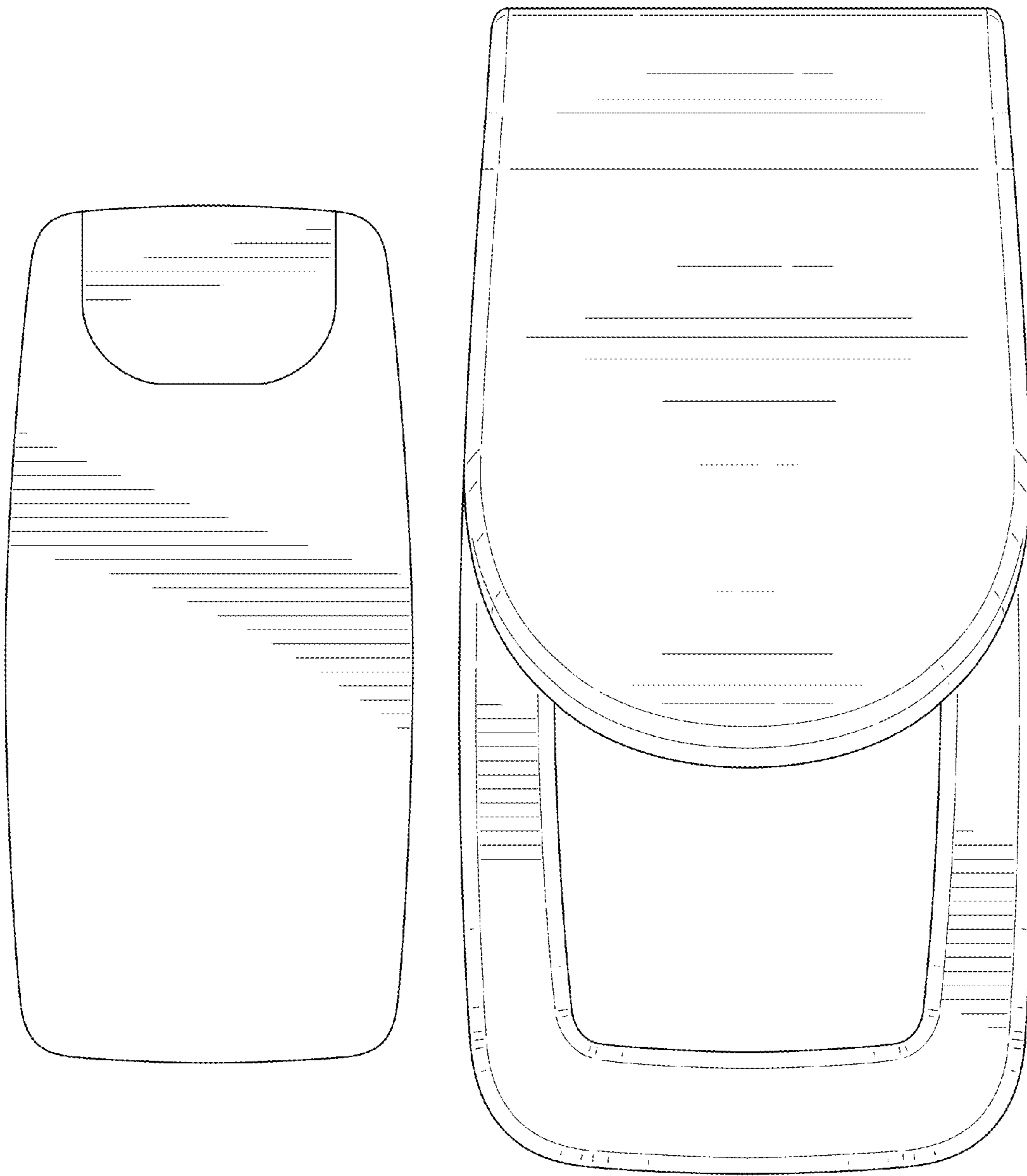


FIG. 7