



US00D752339S

(12) **United States Design Patent**
Hoover

(10) **Patent No.:** **US D752,339 S**
(45) **Date of Patent:** **** Mar. 29, 2016**

(54) **YARN TUBE HOLDER**

(56) **References Cited**

(71) Applicant: **American Linc, LLC**, Gastonia, NC
(US)
(72) Inventor: **Donald Lynn Hoover**, Clover, SC (US)
(73) Assignee: **American Linc, LLC**, Gastonia, NC
(US)

U.S. PATENT DOCUMENTS

746,907	A *	12/1903	Woelfel et al.	223/106
1,976,037	A *	10/1934	Rawlings	242/137
2,410,018	A *	10/1946	D'Arcy	242/141
5,628,346	A *	5/1997	Corain et al.	139/110
D415,887	S *	11/1999	Chen	D3/24
6,073,434	A *	6/2000	Amos	57/22
D527,041	S *	8/2006	Nagaoka et al.	D3/24
7,506,831	B1 *	3/2009	Weiner	242/131

* cited by examiner

(**) Term: **14 Years**

Primary Examiner — Mitchell Siegel

(21) Appl. No.: **29/476,302**

(74) *Attorney, Agent, or Firm* — Schwartz Law Firm, P.C.

(22) Filed: **Dec. 12, 2013**

(57) **CLAIM**

I claim the ornamental design for a yarn tube holder, as shown and described.

(51) **LOC (10) Cl.** **03-99**

DESCRIPTION

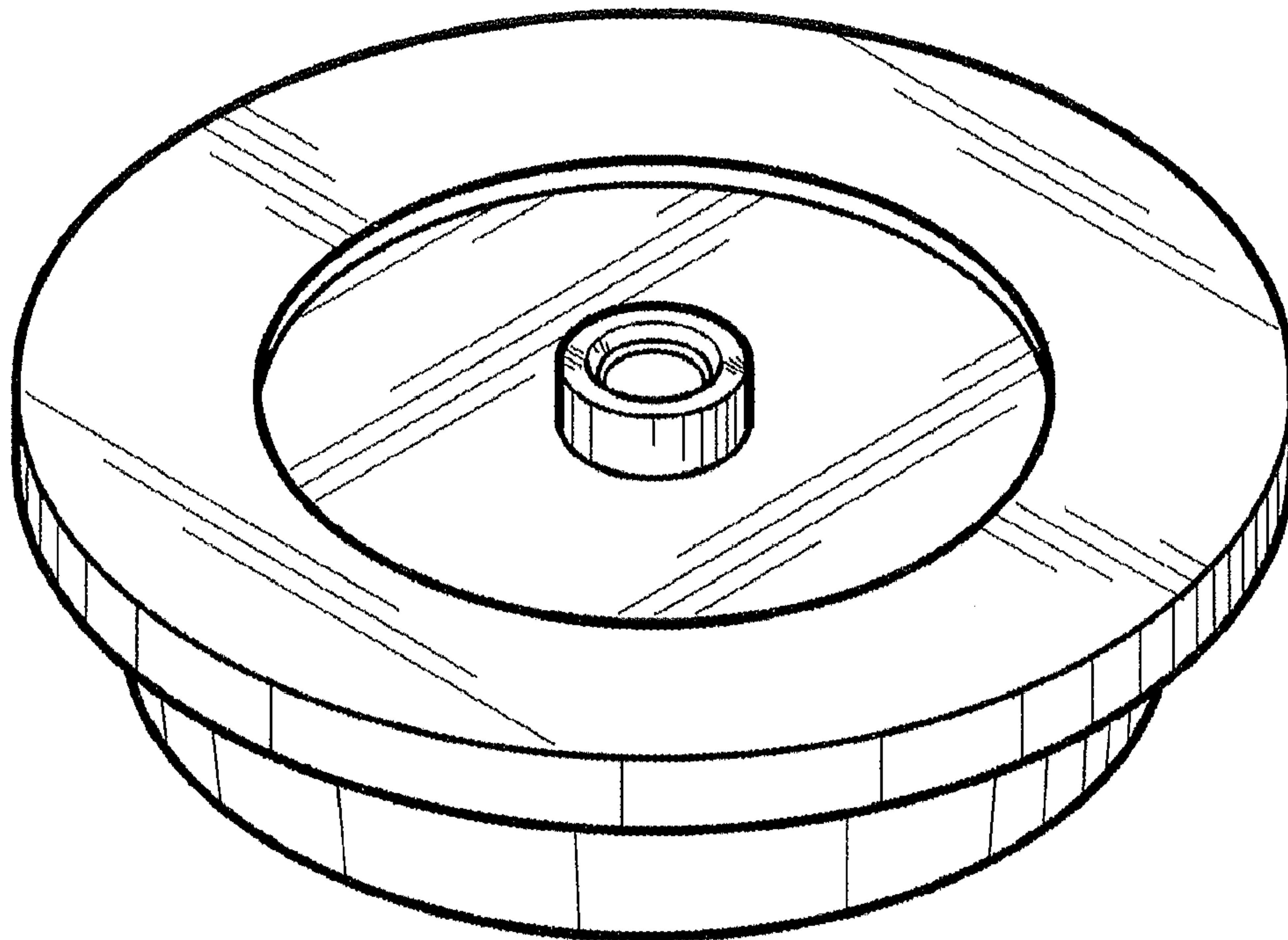
(52) **U.S. Cl.**
USPC **D3/23**

(58) **Field of Classification Search**
USPC D3/23, 24
CPC D05B 91/14; D05B 91/16; B65H 49/16;
B65H 57/12; B65H 57/14

FIG. 1 is an outside perspective view of the yarn tube holder; FIG. 2 is an inside perspective view of the yarn tube holder; FIG. 3 is an outside elevation view of the yarn tube holder; FIG. 4 is an inside elevation view of the yarn tube holder; FIG. 5 is a top view of the yarn tube holder; and, FIG. 6 is a cross-sectional view of the yarn tube holder taken on line 6-6 of FIG. 3.

See application file for complete search history.

1 Claim, 3 Drawing Sheets



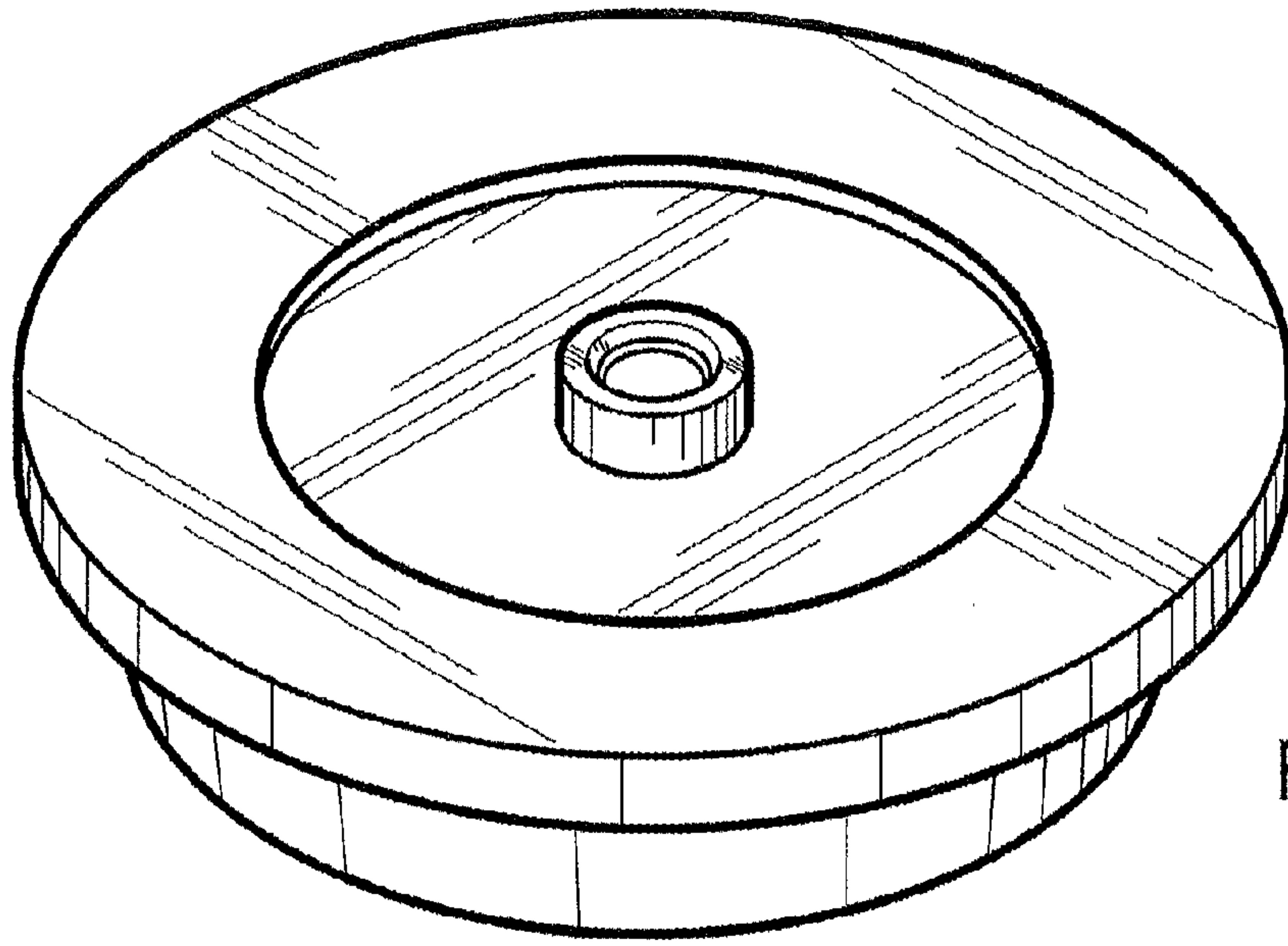


Fig. 1

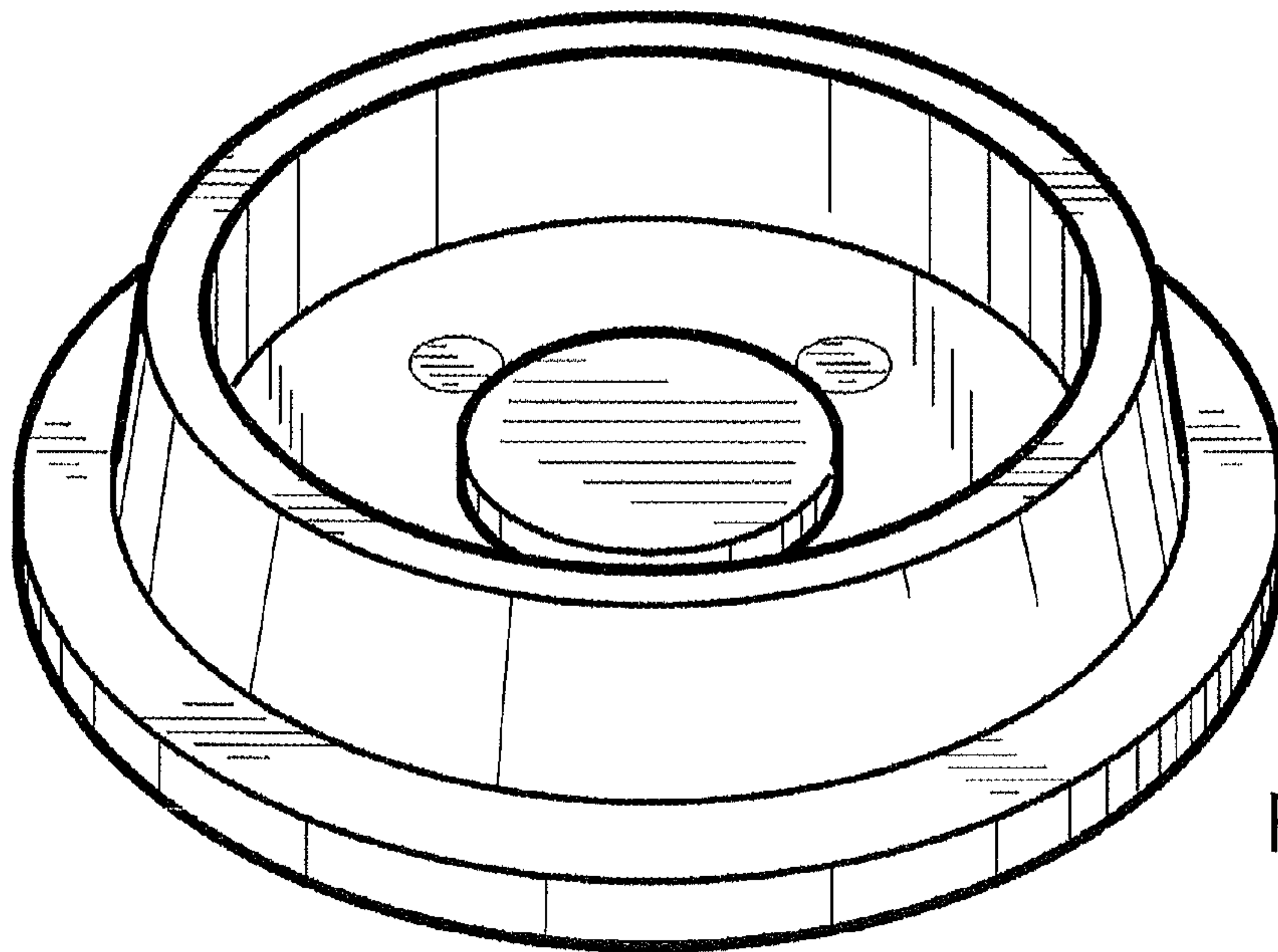


Fig. 2

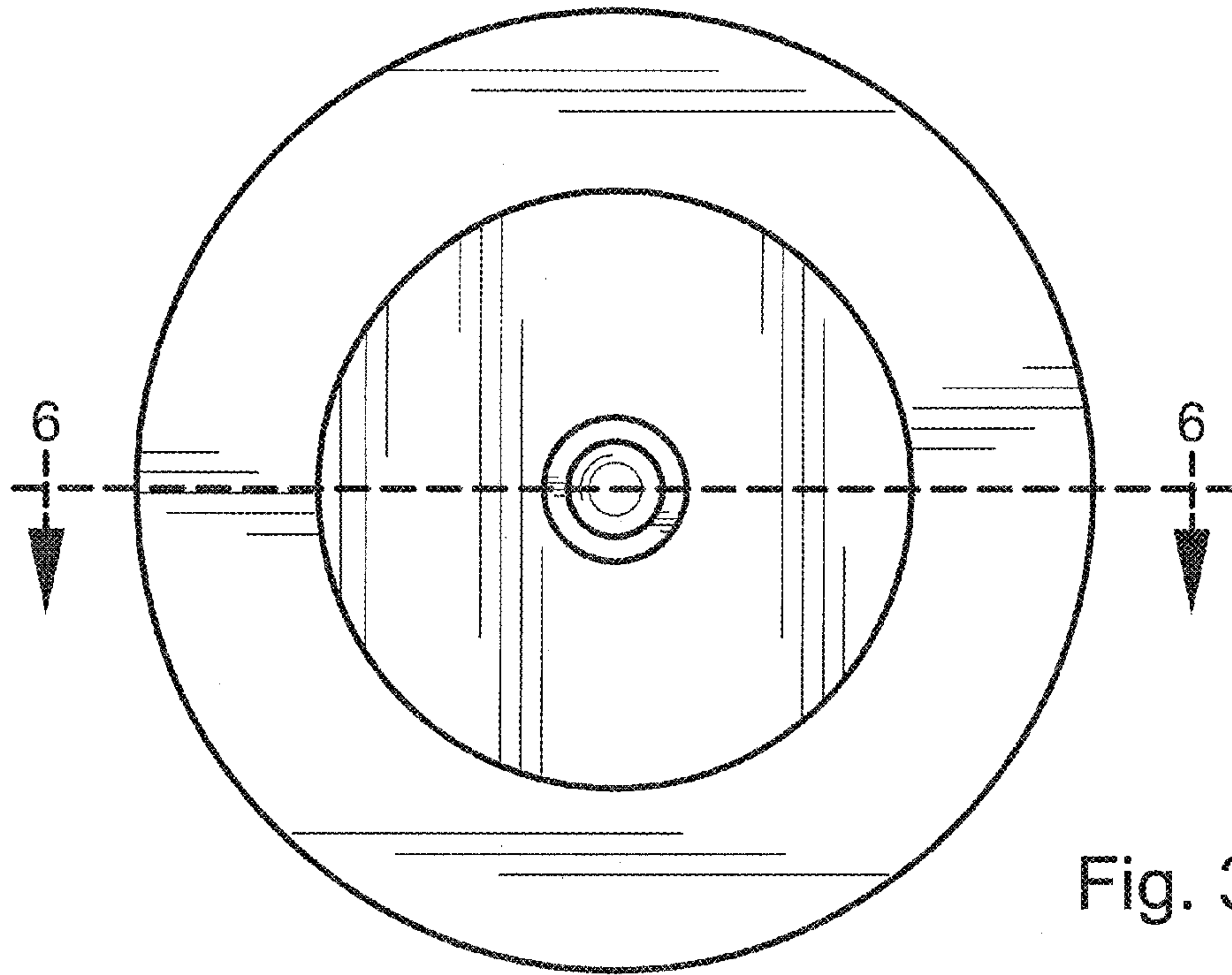


Fig. 3

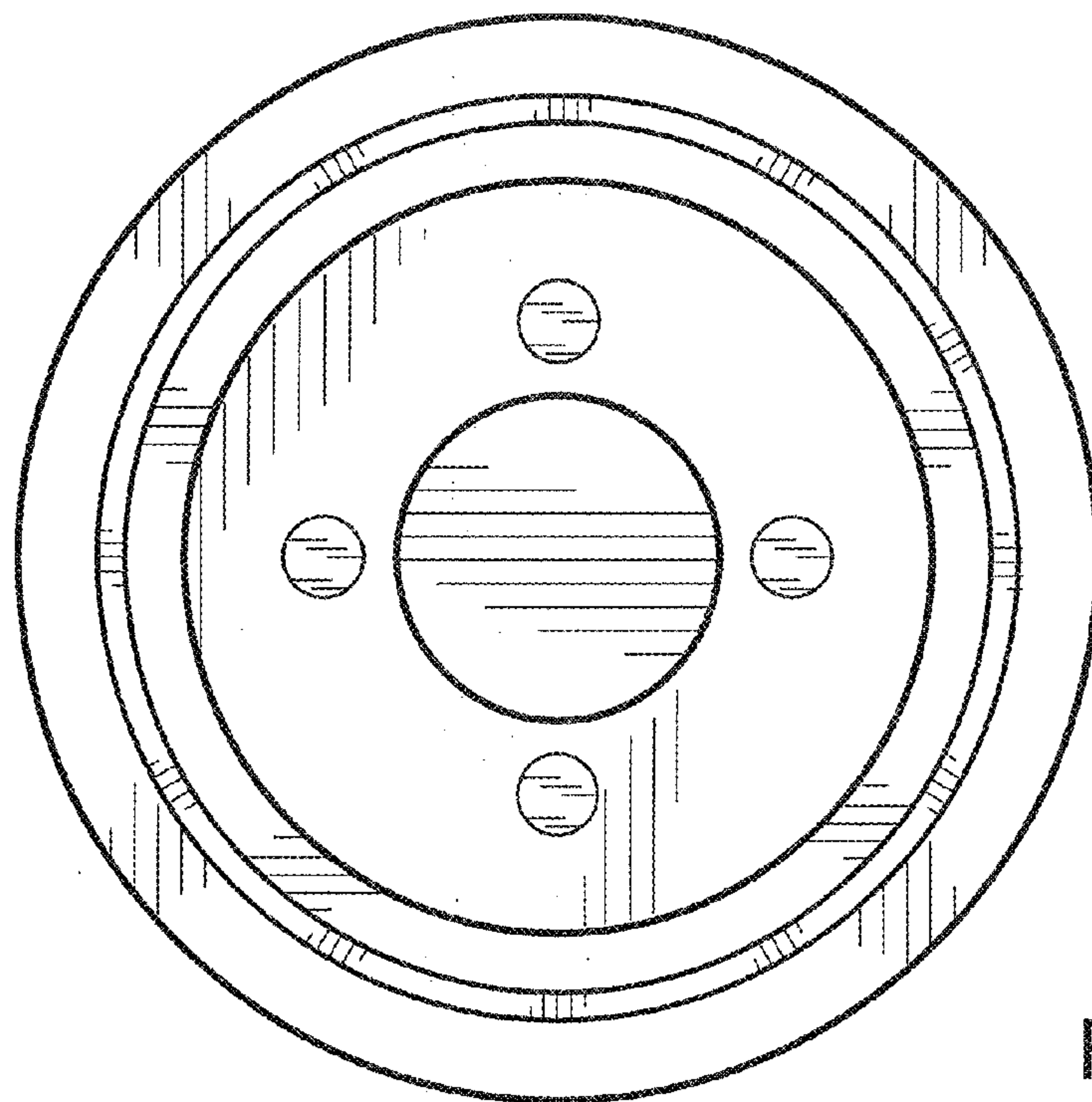


Fig. 4

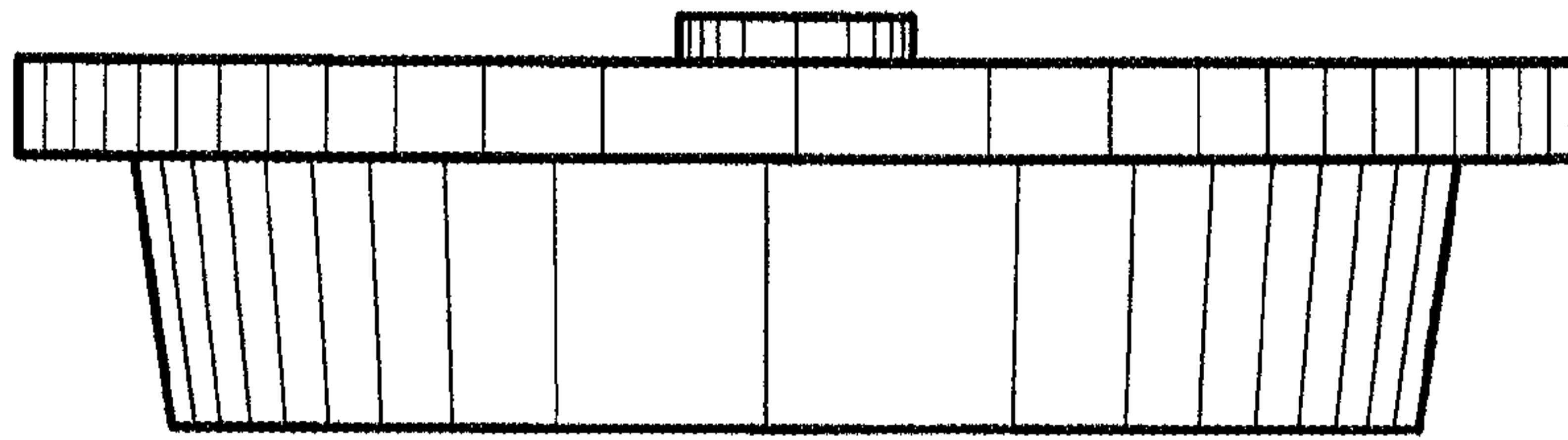


Fig. 5

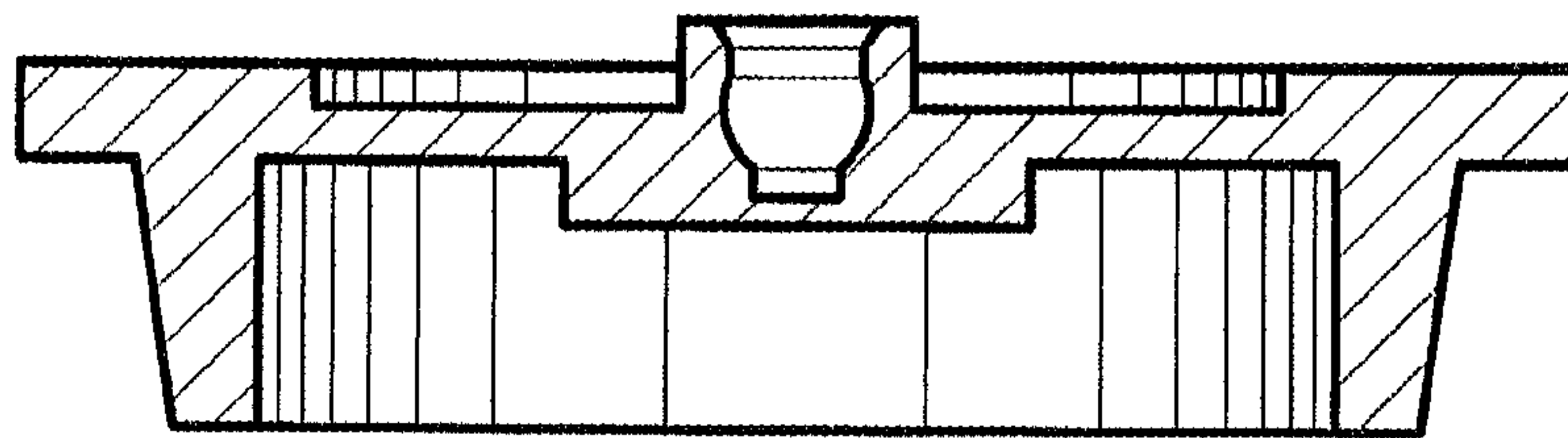


Fig. 6