

US00D752338S

(12) **United States Design Patent**
Diamond

(10) **Patent No.:** **US D752,338 S**
(45) **Date of Patent:** **** Mar. 29, 2016**

- (54) **BASEBALL CANE TIP**
- (71) Applicant: **Drive Medical Design & Manufacturing**, Port Washington, NY (US)
- (72) Inventor: **Harvey Diamond**, Armonk, NY (US)
- (73) Assignee: **Drive Medical Design & Manufacturing**, Port Washington, NY (US)
- (**) Term: **14 Years**
- (21) Appl. No.: **29/504,127**
- (22) Filed: **Oct. 2, 2014**
- (51) **LOC (10) Cl.** **03-03**
- (52) **U.S. Cl.**
USPC **D3/17**
- (58) **Field of Classification Search**
USPC D3/5-17; D21/707, 725, 780; D7/710, D7/332, 606, 402, 334, 515, 392; D19/97
CPC A45B 9/00; A45B 3/00; A45B 9/02; A45B 9/04; A61H 3/00; A61H 3/02; A47B 91/06; B62B 7/08; B62B 7/12; B62B 2205/06; B62B 7/044; A61G 2005/1054
See application file for complete search history.

- 5,301,703 A 4/1994 Kahn
- 5,361,793 A * 11/1994 Stahnke A45B 9/00 135/65
- 5,485,862 A 1/1996 Kahn
- 5,707,303 A 1/1998 Berkowitz et al.
- D410,598 S * 6/1999 Mottern D12/120
- D416,382 S * 11/1999 Beauregard D3/7
- 6,024,110 A * 2/2000 Renfro A45B 9/02 135/66
- 6,095,168 A * 8/2000 Berges A45B 9/02 135/16
- D463,657 S * 10/2002 Wilkinson D3/7
- D469,571 S * 1/2003 Franzblau D27/193
- D492,233 S * 6/2004 Burden D12/204
- D551,822 S * 9/2007 Gianfrisco D34/11
- D554,851 S * 11/2007 Carroll D3/6
- D555,892 S * 11/2007 Carroll D3/6
- D564,171 S * 3/2008 Gianfrisco D34/11
- D575,470 S * 8/2008 Gianfrisco D34/11
- D576,516 S * 9/2008 Grossman, Jr. D11/160
- D581,834 S * 12/2008 Oakley D11/181
- D593,745 S * 6/2009 Stanec D3/10

(Continued)

Primary Examiner — John Windmuller
Assistant Examiner — Steven Czyz
 (74) *Attorney, Agent, or Firm* — Carter, DeLuca, Farrell & Schmidt, LLP

(57) **CLAIM**
 The ornamental design for a baseball cane tip, as shown and described.

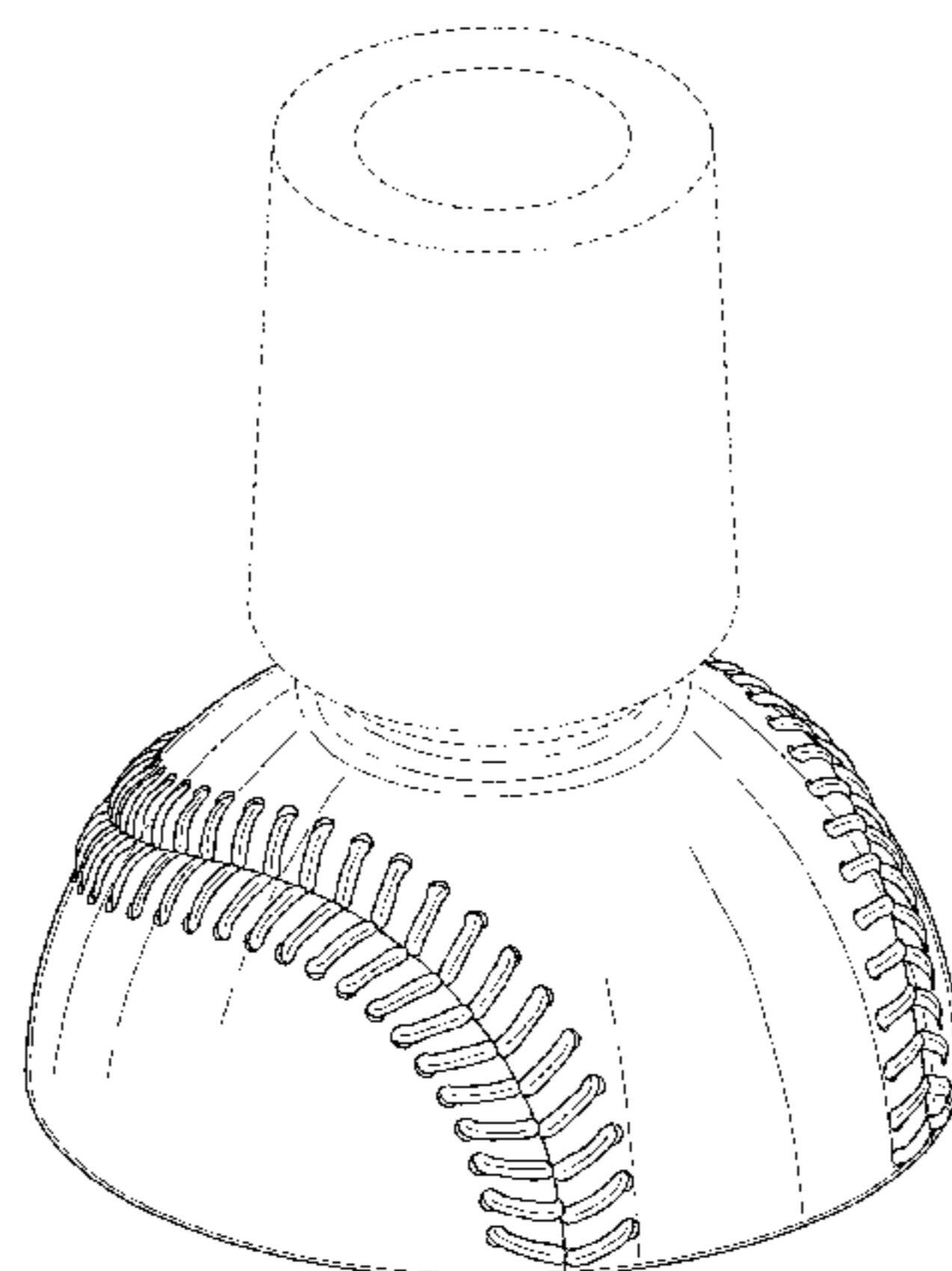
(56) **References Cited**
 U.S. PATENT DOCUMENTS

- 1,339,257 A * 5/1920 Callahan A45B 3/00 135/66
- D249,089 S * 8/1978 Studley D11/157
- 4,597,400 A * 7/1986 Trudeau, Sr. A45B 11/00 135/18
- D290,784 S * 7/1987 Moshiri D3/7
- D298,642 S * 11/1988 Dolive D21/729
- D317,491 S * 6/1991 Rhodes D21/735
- D319,276 S * 8/1991 Keeler D21/735
- D327,376 S * 6/1992 Piccamiglio D21/709
- D330,280 S * 10/1992 Glassman D3/7
- D341,241 S * 11/1993 Buckley D3/10
- D343,950 S * 2/1994 Just D3/6

DESCRIPTION

FIG. 1 is a perspective view of a baseball cane tip of the new design;
 FIG. 2 is a front elevational view thereof;
 FIG. 3 is a rear elevational view thereof;
 FIG. 4 is a right side elevational view thereof;
 FIG. 5 is a left side elevational view thereof;
 FIG. 6 is a top plan view thereof; and,
 FIG. 7 is a bottom plan view thereof.
 The broken lines depict portions of the article that form no part of the claimed design.

1 Claim, 4 Drawing Sheets



(56)

References Cited

U.S. PATENT DOCUMENTS

D630,689 S *	1/2011	Tsutsui	D21/713	D700,256 S *	2/2014	Besemer	D21/707
7,882,848 B2 *	2/2011	Diamond	A61H 3/04	D703,734 S *	4/2014	Lochen	D17/22
				135/77	D704,567 S *	5/2014	Sanders	D9/519
D644,078 S *	8/2011	Moman	D8/38	D705,865 S *	5/2014	Roth	D19/97
D660,602 S *	5/2012	Appell	D6/316	D710,153 S *	8/2014	Marini	D7/515
D665,991 S *	8/2012	Slayton	D3/7	D711,247 S *	8/2014	Sanders	D9/519
D677,320 S *	3/2013	Lochen	D17/22	D731,608 S *	6/2015	Krouse	D21/756
D677,981 S *	3/2013	Levin	D7/392	D734,020 S *	7/2015	Chisum	D3/7
D689,120 S *	9/2013	Lochen	D17/10	D740,017 S *	10/2015	Diamond	D3/17
D689,124 S *	9/2013	Lochen	D17/10	2006/0053587 A1 *	3/2006	Chase	A47B 91/06
D693,565 S *	11/2013	Chan	D3/7					16/42 R
					2006/0272691 A1 *	12/2006	DeLesline	A61H 3/0288
									135/67

* cited by examiner

FIG. 1

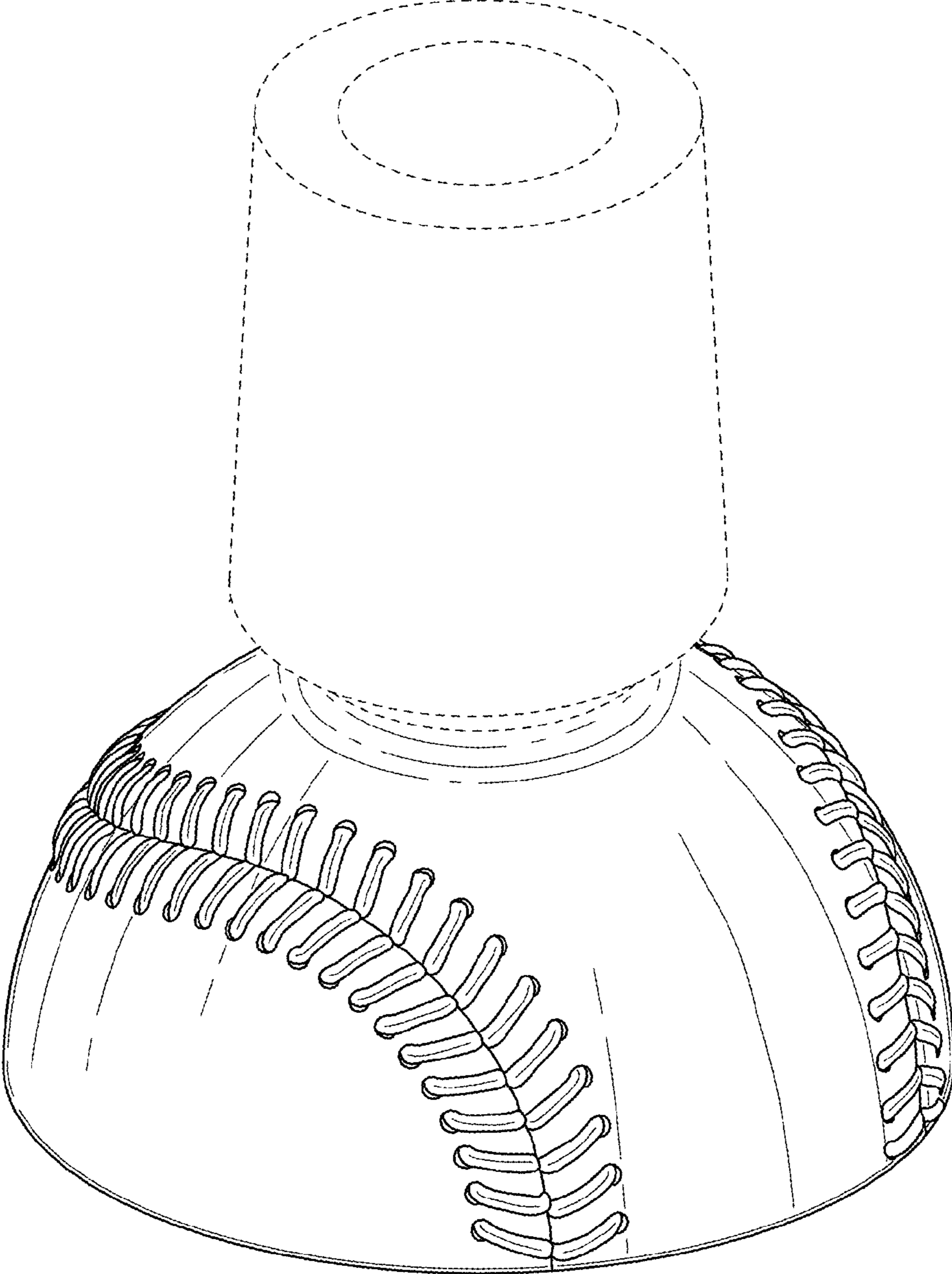


FIG. 3

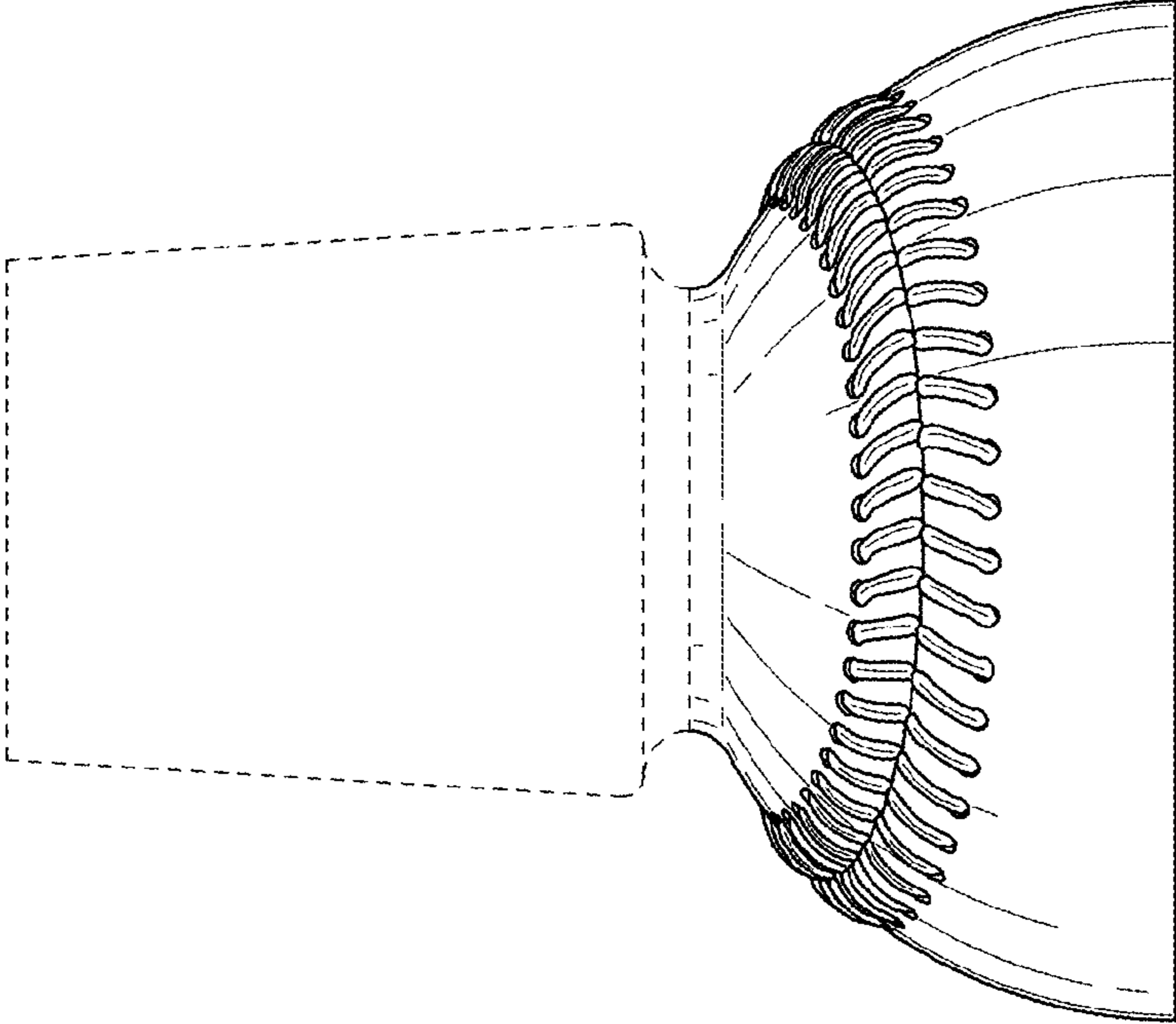


FIG. 2

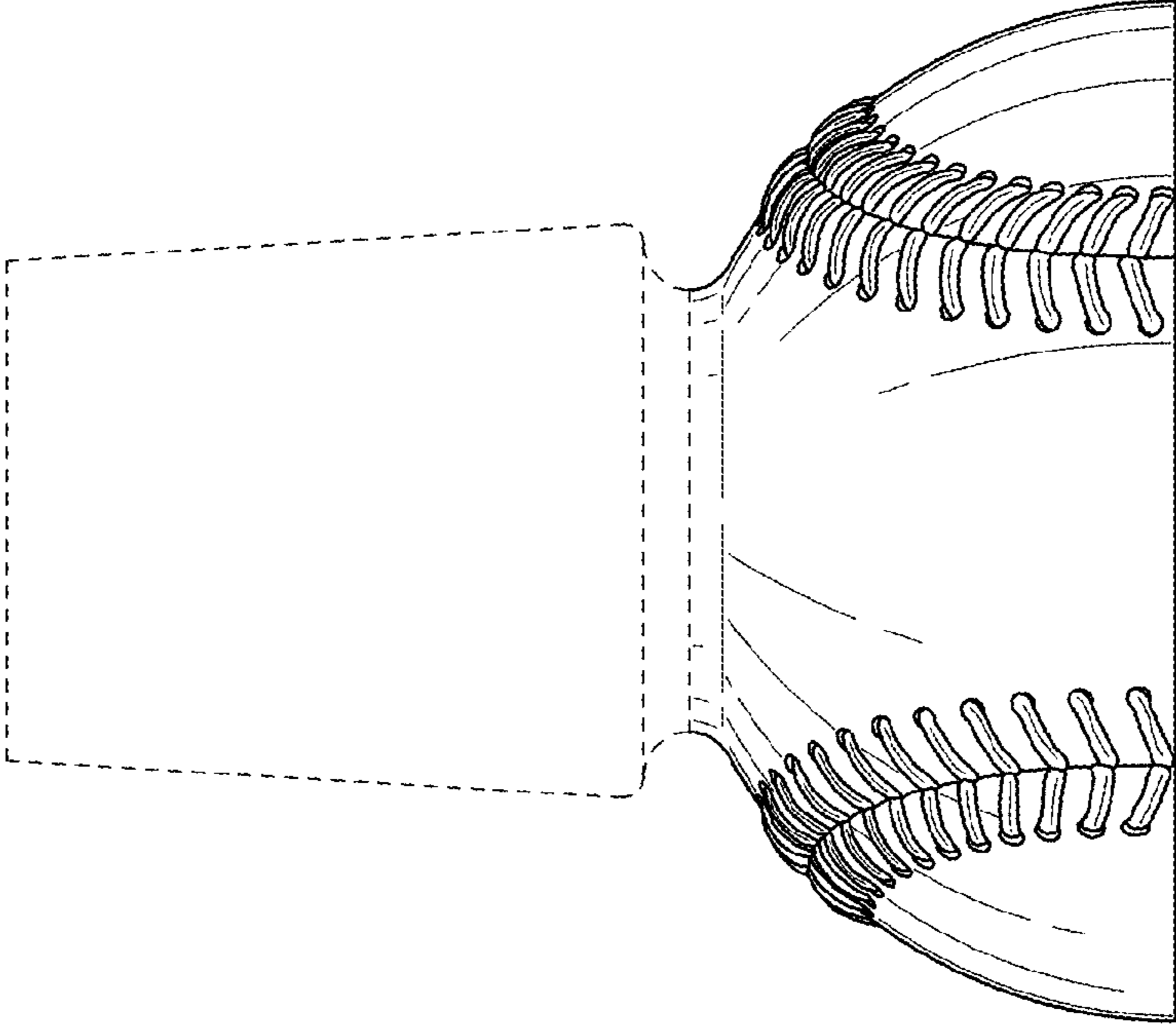


FIG. 5

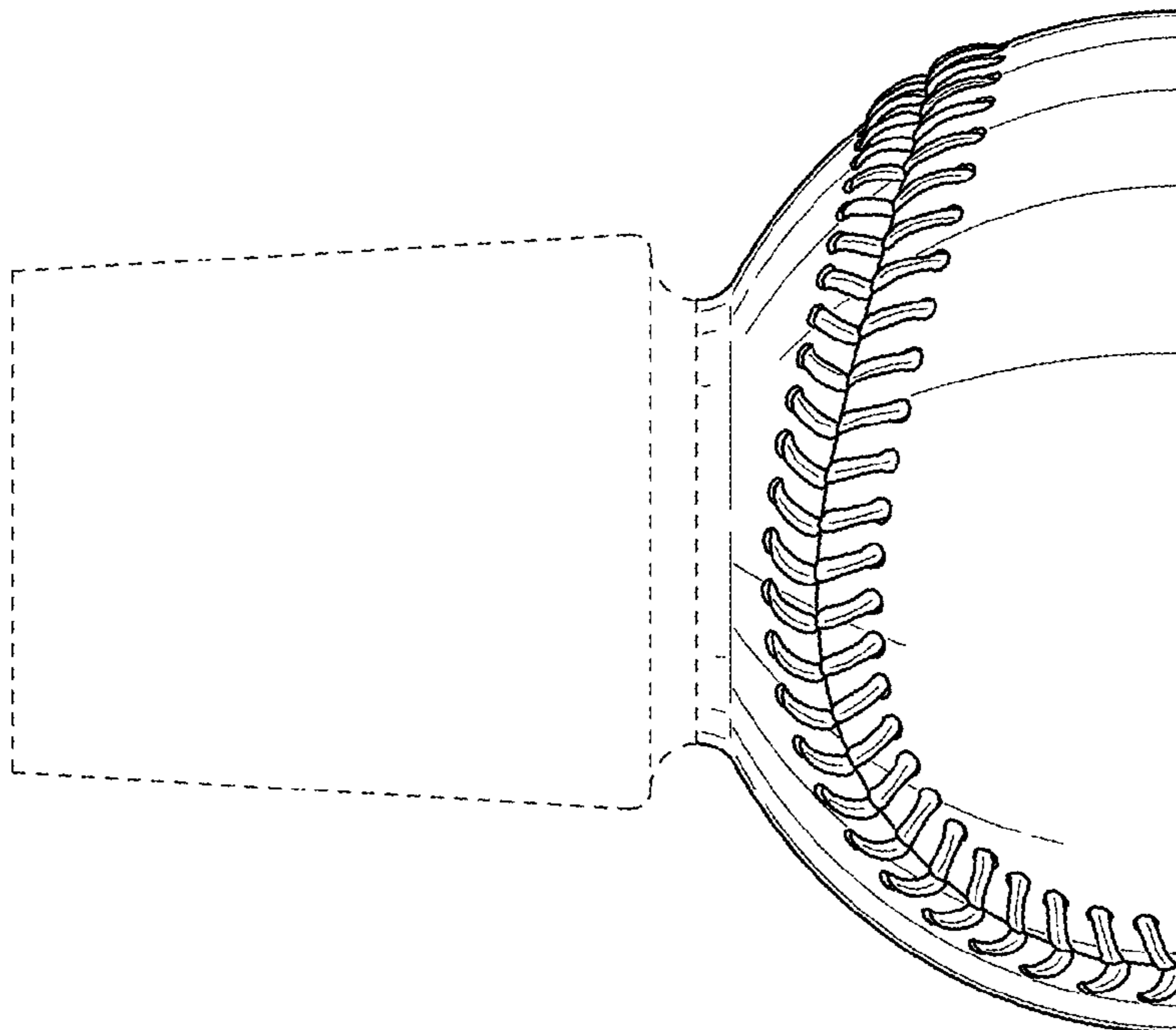


FIG. 4

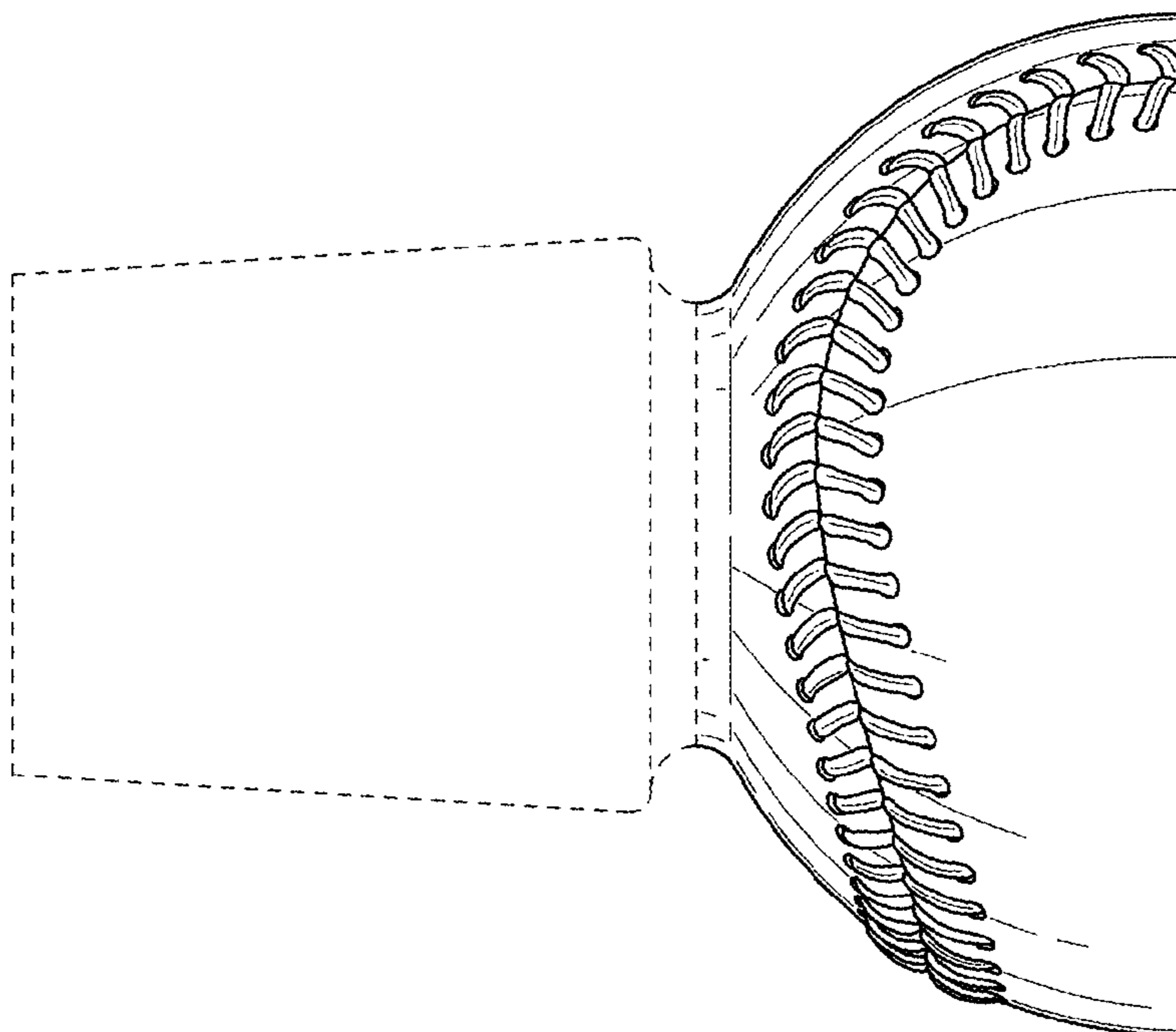


FIG. 6

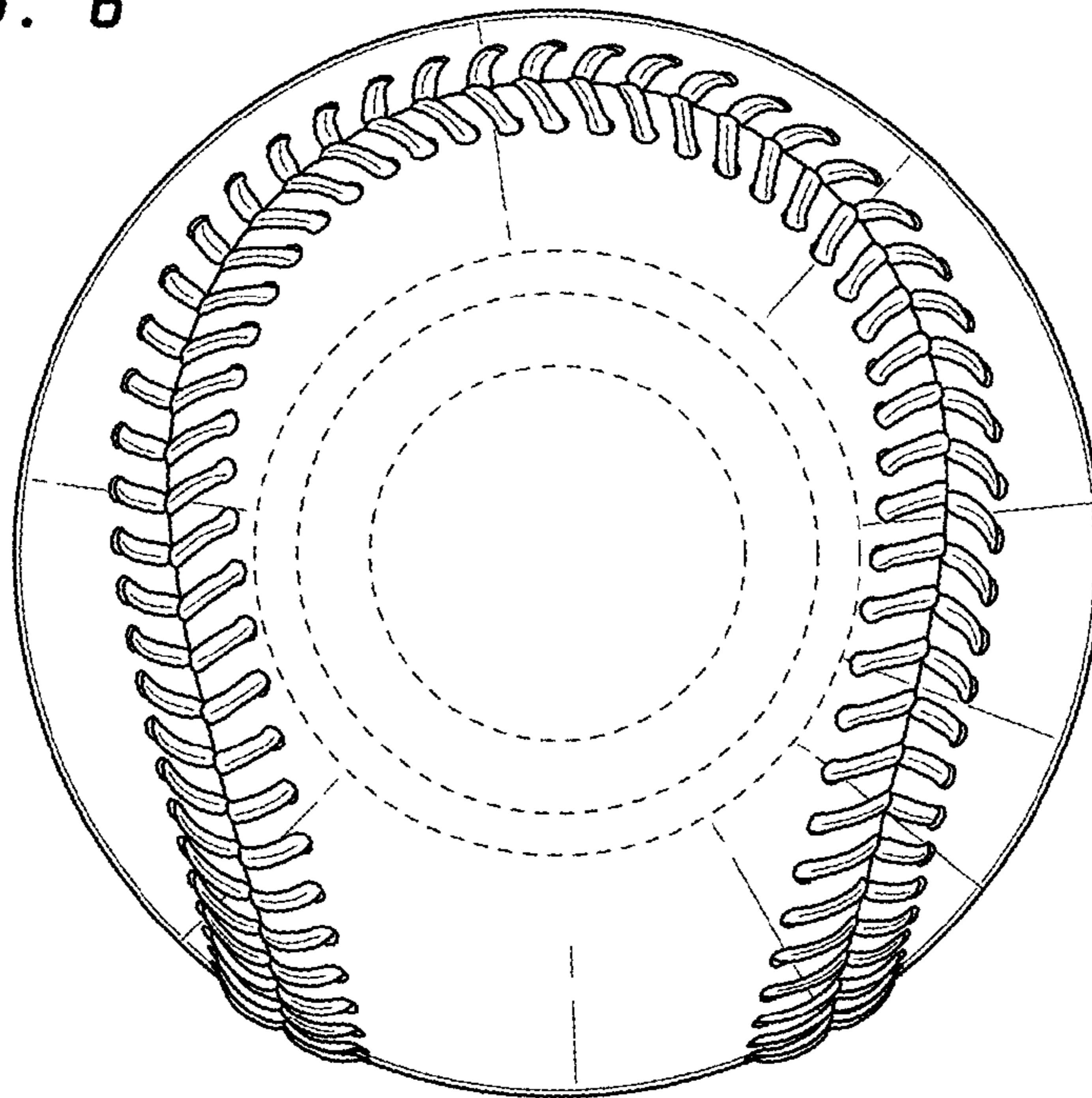


FIG. 7

