



US00D752336S

(12) **United States Design Patent**  
**Rothbucher**

(10) **Patent No.:** **US D752,336 S**  
(45) **Date of Patent:** **\*\* Mar. 29, 2016**

- (54) **UMBRELLA HANDLE**
- (71) Applicant: **doppler E. Doppler & Co. GmbH**,  
Braunau (AT)
- (72) Inventor: **Bernhard Rothbucher**, Salzburg (AT)
- (73) Assignee: **doppler E. Doppler & Co. GmbH**,  
Braunau (AT)
- (\*\*) Term: **14 Years**
- (21) Appl. No.: **29/509,616**
- (22) Filed: **Nov. 19, 2014**
- (30) **Foreign Application Priority Data**  
May 20, 2014 (EM) ..... 002467712-0002
- (51) **LOC (10) Cl.** ..... **03-03**
- (52) **U.S. Cl.**  
USPC ..... **D3/12**
- (58) **Field of Classification Search**  
USPC ..... D3/5, 6, 10, 11, 12, 14, 16; D8/107,  
D8/300, 315; D23/259, 262, 263, 266  
CPC ..... A45B 25/02; A45B 25/143; A45B 19/04;  
A45B 25/24; A45B 9/02; B25B 7/00; B25G  
1/105; B25G 1/102; F16L 41/021; E05B  
1/0015  
See application file for complete search history.

D321,782 S *	11/1991	Cain	.....	D3/12
5,149,144 A *	9/1992	Blakeley	.....	A62C 35/68 285/197
5,186,197 A *	2/1993	Lavine	.....	A45B 9/02 135/25.1
D342,827 S *	1/1994	Wurflingsdobler, Jr.	.....	D3/6
5,406,871 A *	4/1995	Lambert, Jr.	.....	B29C 61/065 138/103
5,839,647 A *	11/1998	Orne	.....	B23K 37/053 228/212
D433,794 S *	11/2000	San	.....	D3/12
D480,453 S *	10/2003	Filer	.....	D23/262
D485,056 S *	1/2004	Headley	.....	D3/12
D551,845 S *	10/2007	Headley	.....	D3/12
D552,341 S *	10/2007	Headley	.....	D3/12
D580,530 S *	11/2008	McAlpine	.....	D23/268
D589,247 S *	3/2009	Headley	.....	D3/12
D648,933 S *	11/2011	Roher	.....	D3/12
D659,379 S *	5/2012	Headley	.....	D3/12
D670,901 S *	11/2012	Rothbucher	.....	D3/10
D677,878 S *	3/2013	Headley	.....	D3/12
D692,652 S *	11/2013	Headley	.....	D3/12
D713,637 S *	9/2014	Herriger	.....	D3/5
D725,897 S *	4/2015	Christie	.....	D3/5
D729,510 S *	5/2015	Headley	.....	D3/12
D734,021 S *	7/2015	Kerr	.....	D3/12

(Continued)

*Primary Examiner* — John Windmuller  
*Assistant Examiner* — Steven Czyz  
(74) *Attorney, Agent, or Firm* — Collard & Roe, P.C.

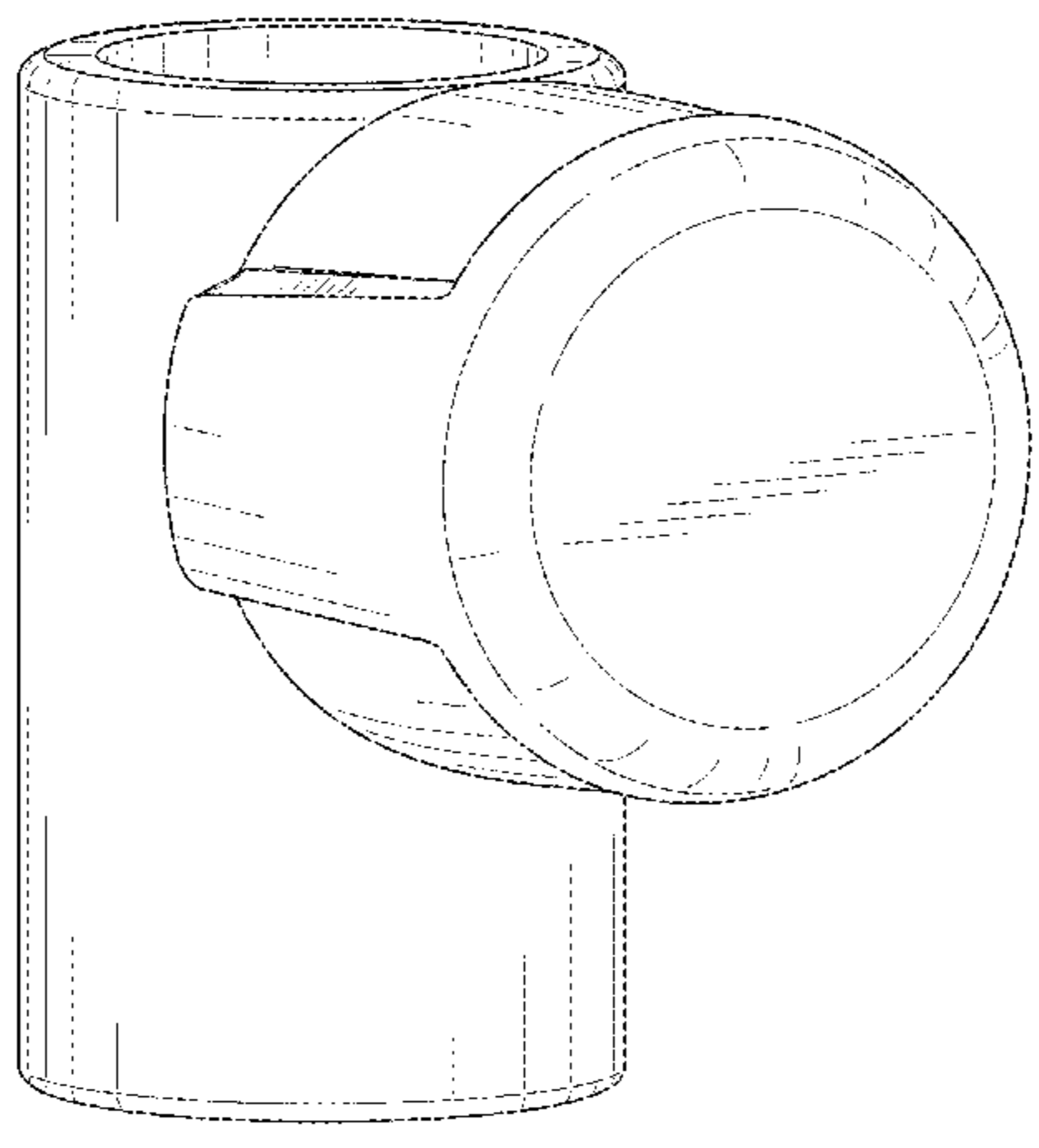
(57) **CLAIM**  
The ornamental design for an umbrella handle, as shown and described.

**DESCRIPTION**

FIG. 1 is a top, front and left side perspective view of an umbrella handle showing my new design;  
FIG. 2 is a front view thereof;  
FIG. 3 is a rear view thereof;  
FIG. 4 is a right side view thereof;  
FIG. 5 is a left side view thereof;  
FIG. 6 is a top view thereof; and,  
FIG. 7 is a bottom view thereof.

**1 Claim, 7 Drawing Sheets**

- (56) **References Cited**  
U.S. PATENT DOCUMENTS  
1,941,465 A \* 1/1934 Cornell, Jr. .... F16L 41/084  
285/133.11  
3,970,251 A \* 7/1976 Harmony ..... A01G 25/023  
138/46  
4,077,570 A \* 3/1978 Harmony ..... B05B 1/323  
138/46  
D316,630 S \* 5/1991 Cain ..... D3/12  
D316,777 S \* 5/1991 Cain ..... D3/12  
D321,428 S \* 11/1991 Cain ..... D3/12  
D321,780 S \* 11/1991 Cain ..... D3/12  
D321,781 S \* 11/1991 Cain ..... D3/12



(56)

**References Cited**

U.S. PATENT DOCUMENTS

2004/0222626 A1*	11/2004	Baruh .....	F16L 21/02 285/15
2010/0269871 A1*	10/2010	Ma .....	A45B 25/08 135/20.3
2003/0034646 A1*	2/2003	Baruh .....	F16L 25/12 285/31

\* cited by examiner

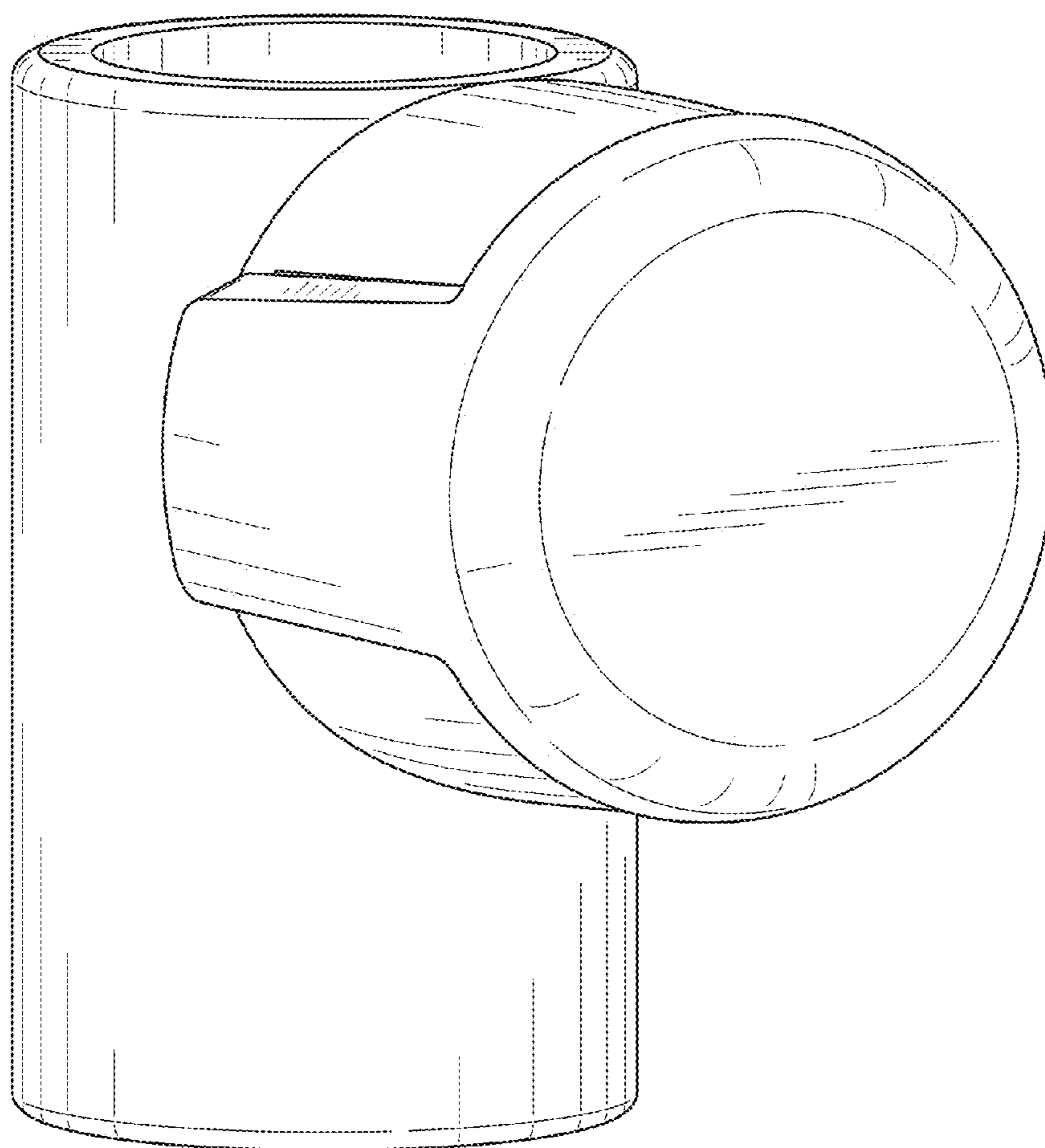


FIG. 1

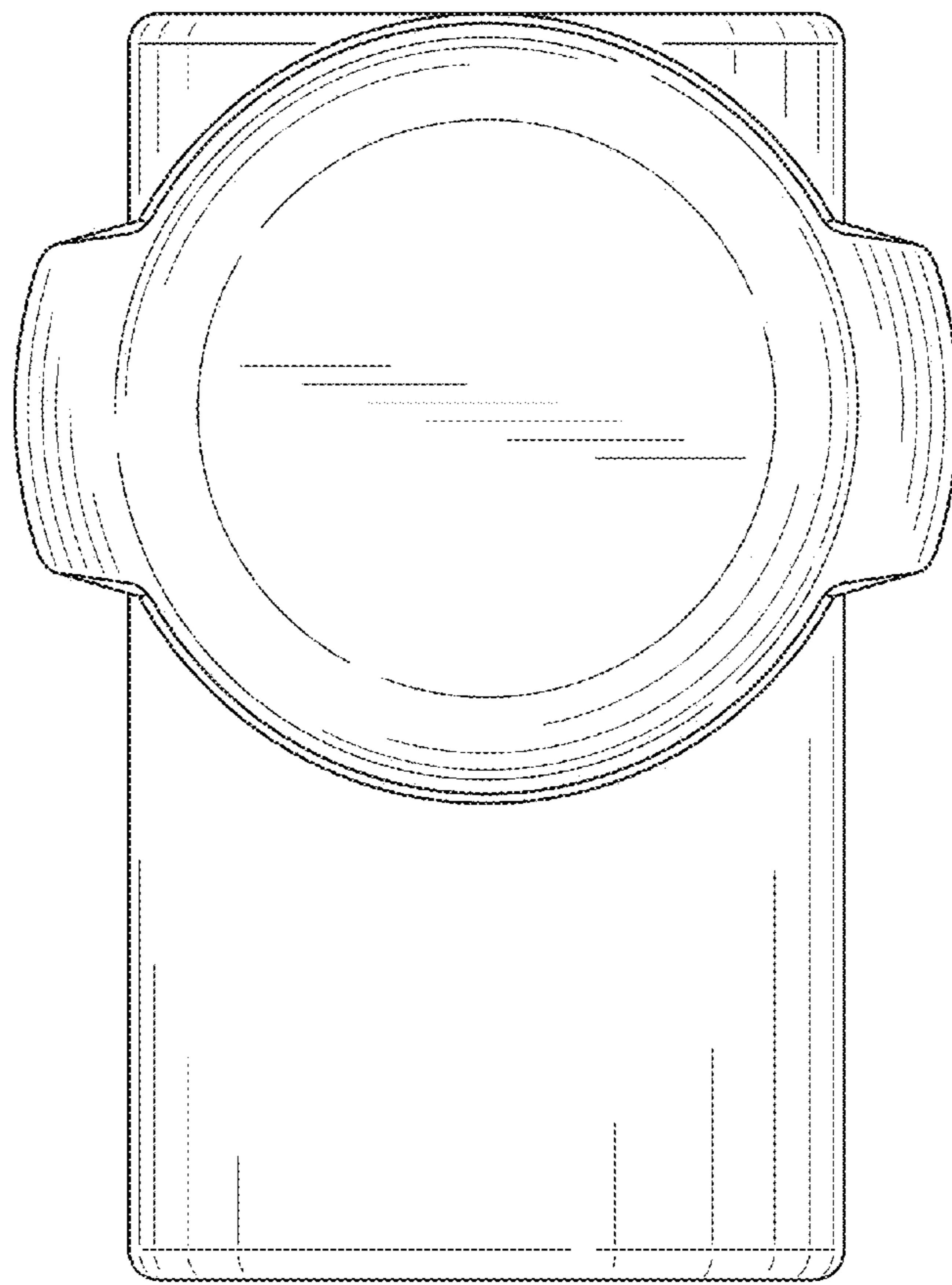


FIG. 2

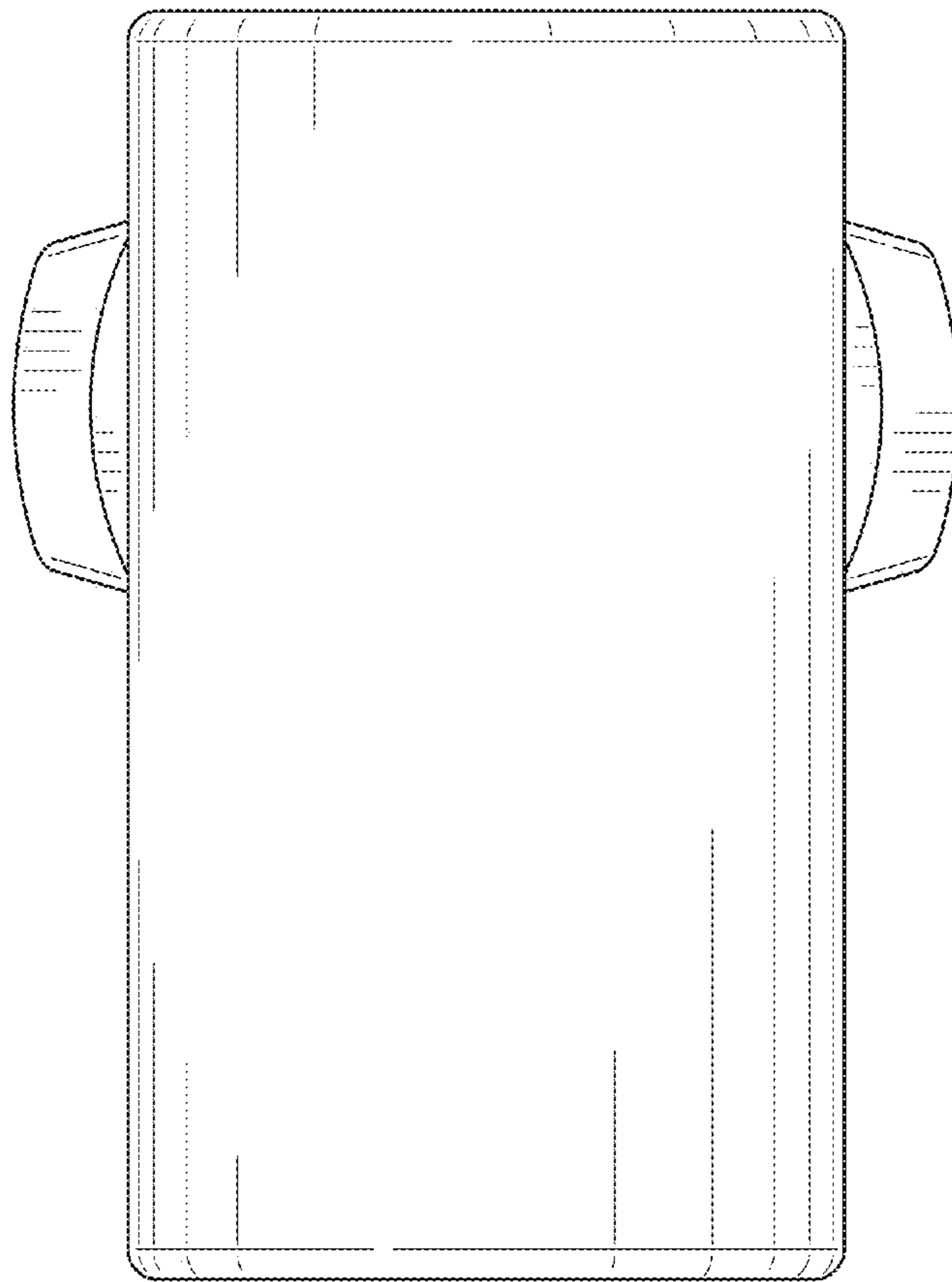


FIG. 3

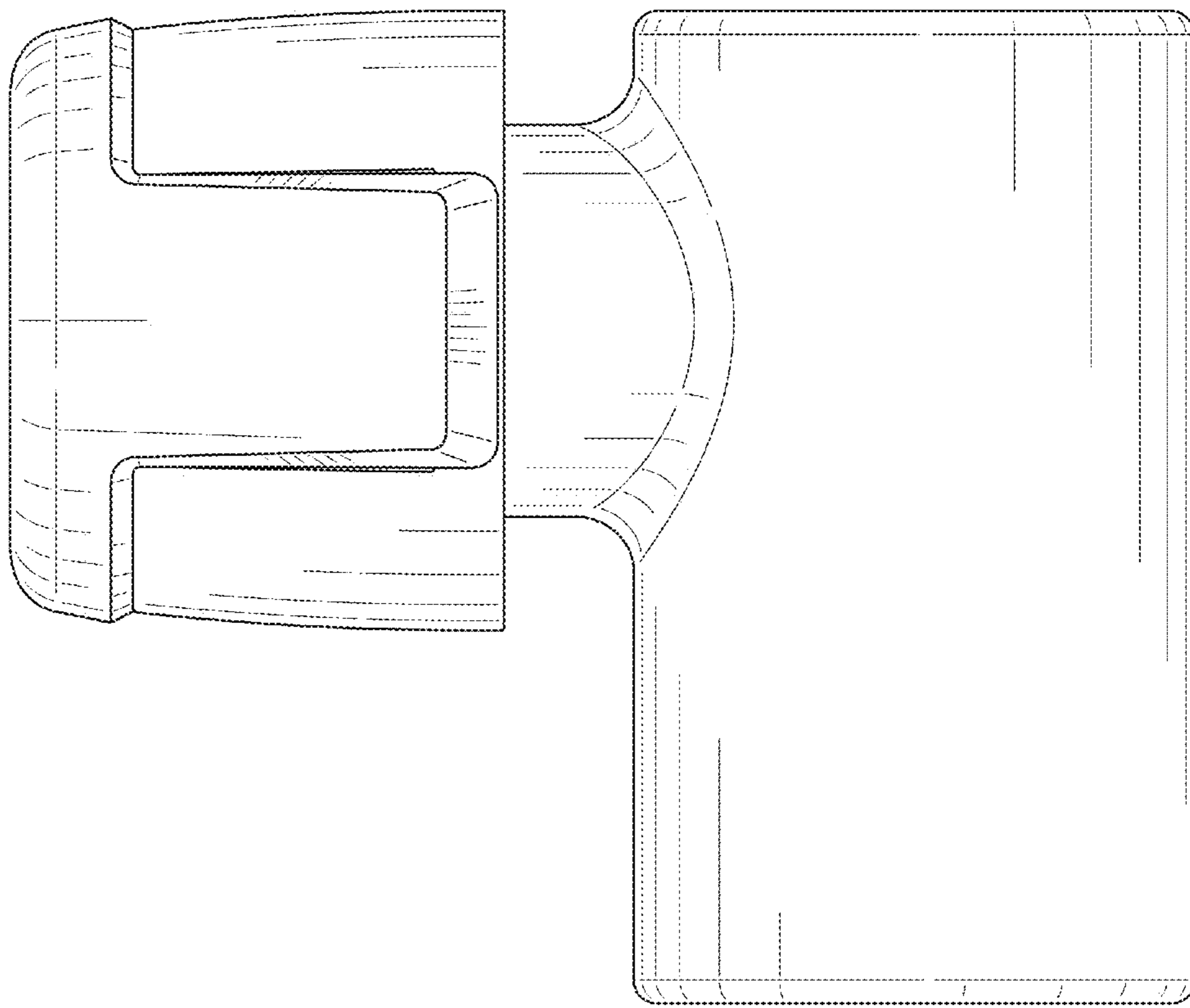


FIG. 4

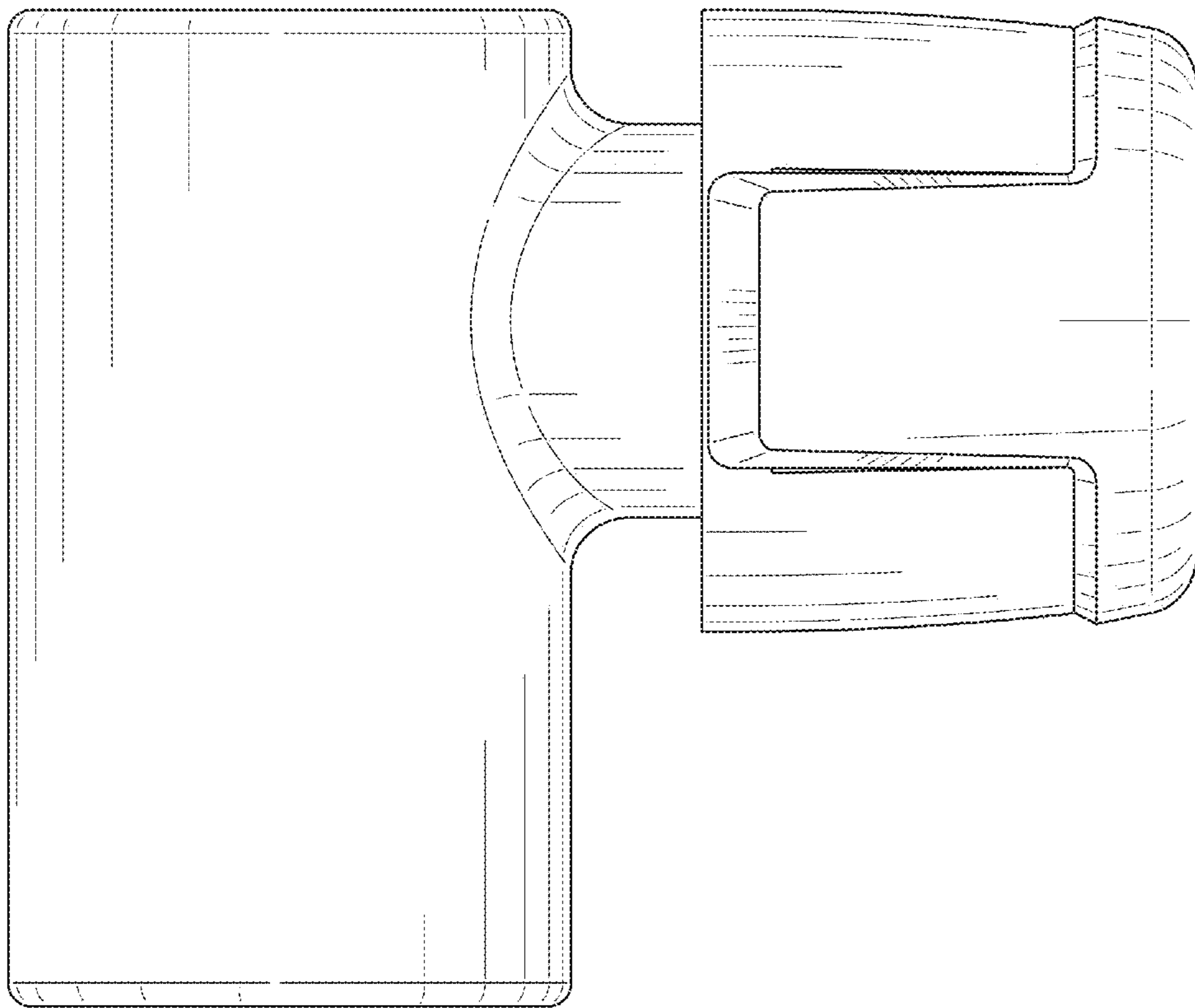


FIG. 5

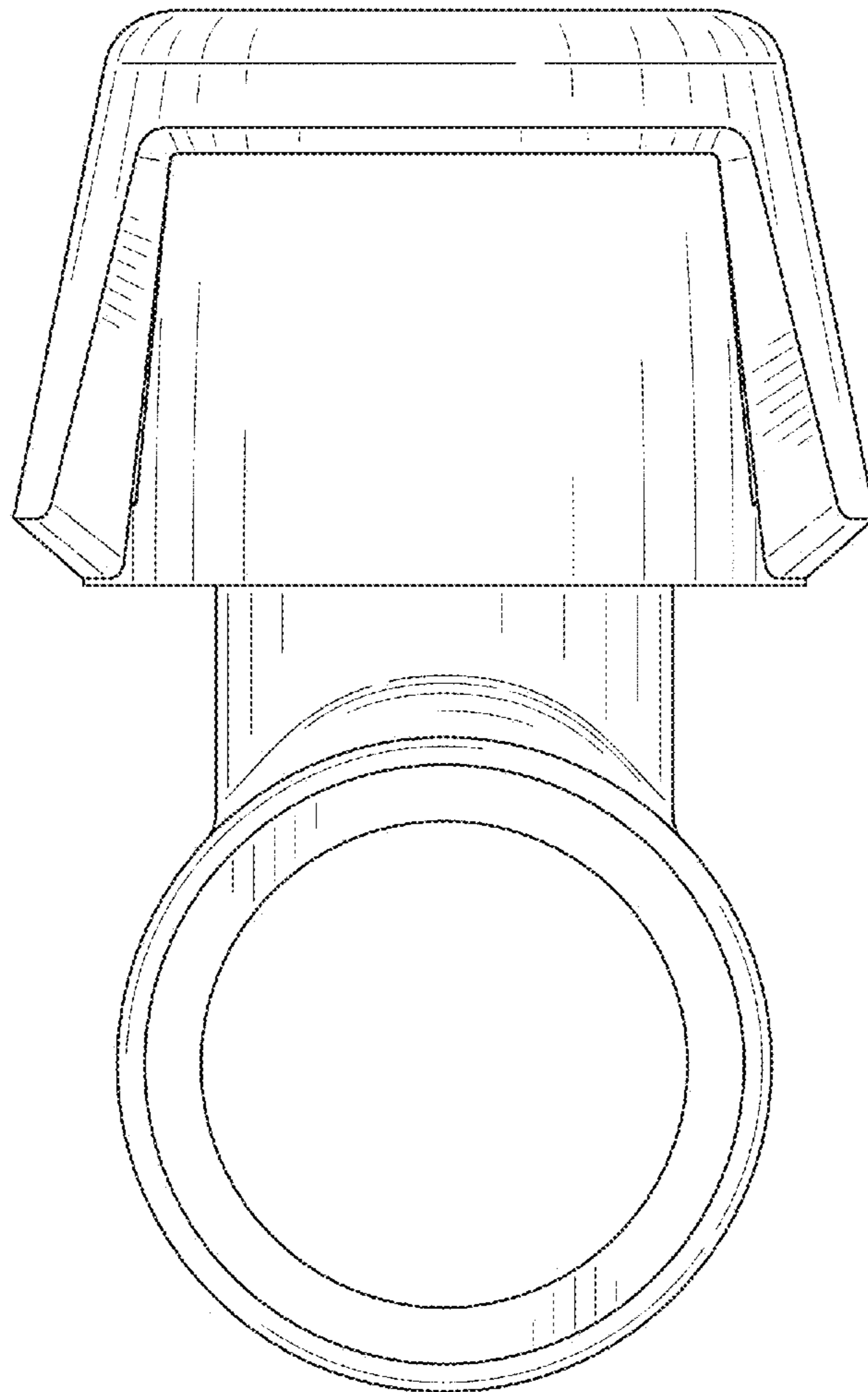


FIG. 6



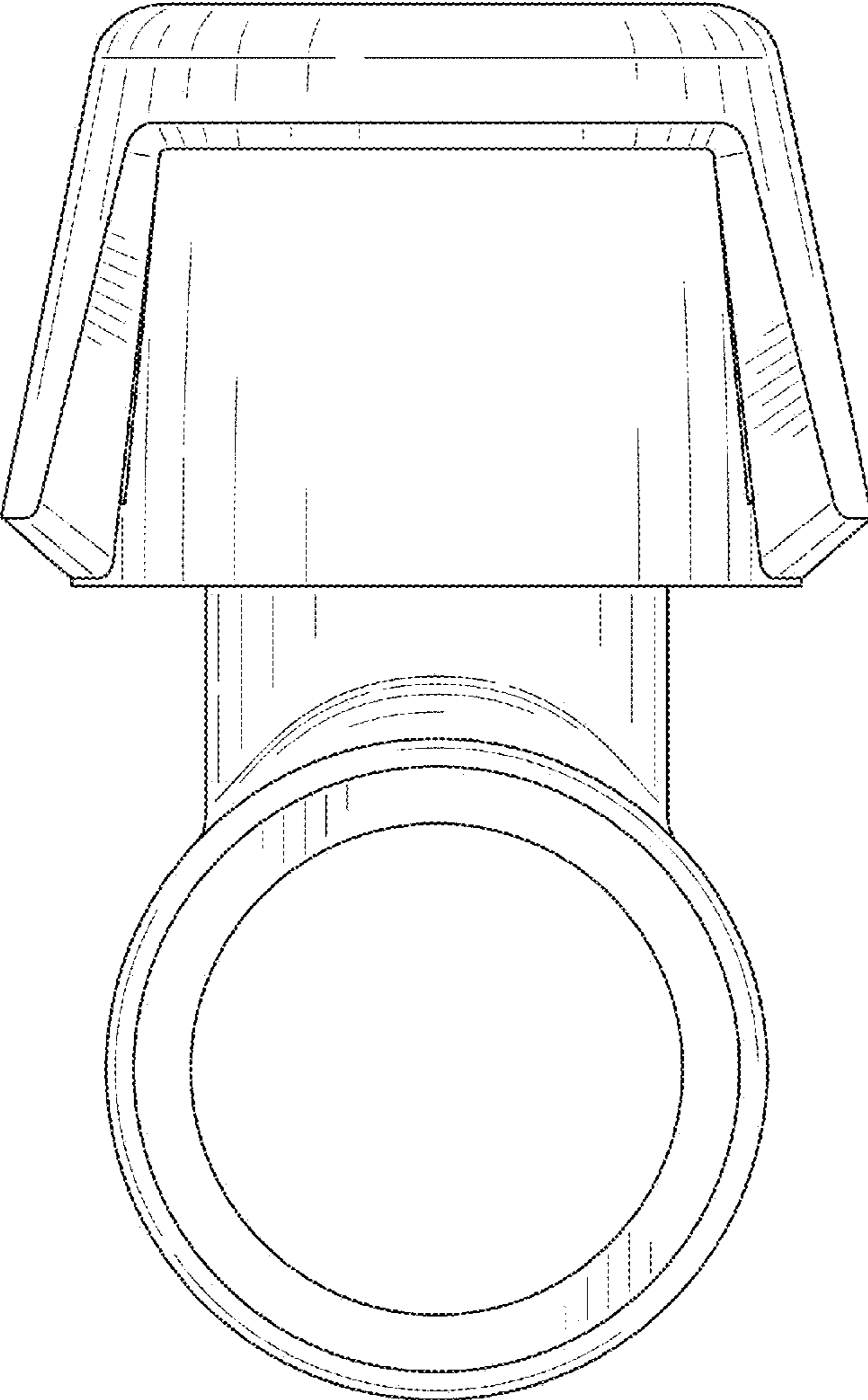


FIG. 7