



US00D752312S

(12) **United States Design Patent**
Chen et al.

(10) **Patent No.:** **US D752,312 S**

(45) **Date of Patent:** **** Mar. 22, 2016**

(54) **FORKLIFT**

(56) **References Cited**

U.S. PATENT DOCUMENTS

D373,887	S	*	9/1996	Soederberg	D34/34
D608,521	S	*	1/2010	Berger	D34/34
D608,522	S	*	1/2010	Berger	D34/34
D608,523	S	*	1/2010	Knie	D34/34
D609,424	S	*	2/2010	Knie	D34/34
D640,031	S	*	6/2011	Kretschmer	D34/34
D692,202	S	*	10/2013	Feiquan	D34/34
D692,204	S	*	10/2013	Feiquan	D34/34
9,045,321	B2	*	6/2015	Ford	B66F 9/07513
D739,112	S	*	9/2015	He	D34/34
2008/0179141	A1	*	7/2008	Niebuhr	B62D 33/0633 187/222

(71) Applicant: **BYD COMPANY LIMITED**, Shenzhen (CN)

(72) Inventors: **Chan Chen**, Shenzhen (CN); **Yigang Shangguan**, Shenzhen (CN); **Shaohua Wen**, Shenzhen (CN)

(73) Assignee: **BYD COMPANY LTD.**, Shenzhen (CN)

(**) Term: **14 Years**

(21) Appl. No.: **29/507,388**

(22) Filed: **Oct. 27, 2014**

(30) **Foreign Application Priority Data**

Apr. 25, 2014 (CN) 2014 3 0104836

(51) **LOC (10) Cl.** **12-05**

(52) **U.S. Cl.**
USPC **D34/34**

(58) **Field of Classification Search**
USPC D34/34, 28, 35; 414/785, 592, 640,
414/679, 680; 180/89.12, 89.14, 89.18,
180/89.19
CPC B62B 3/0612; B62B 5/063
See application file for complete search history.

* cited by examiner

Primary Examiner — Cynthia Ramirez

(74) *Attorney, Agent, or Firm* — Morgan, Lewis & Bockius LLP

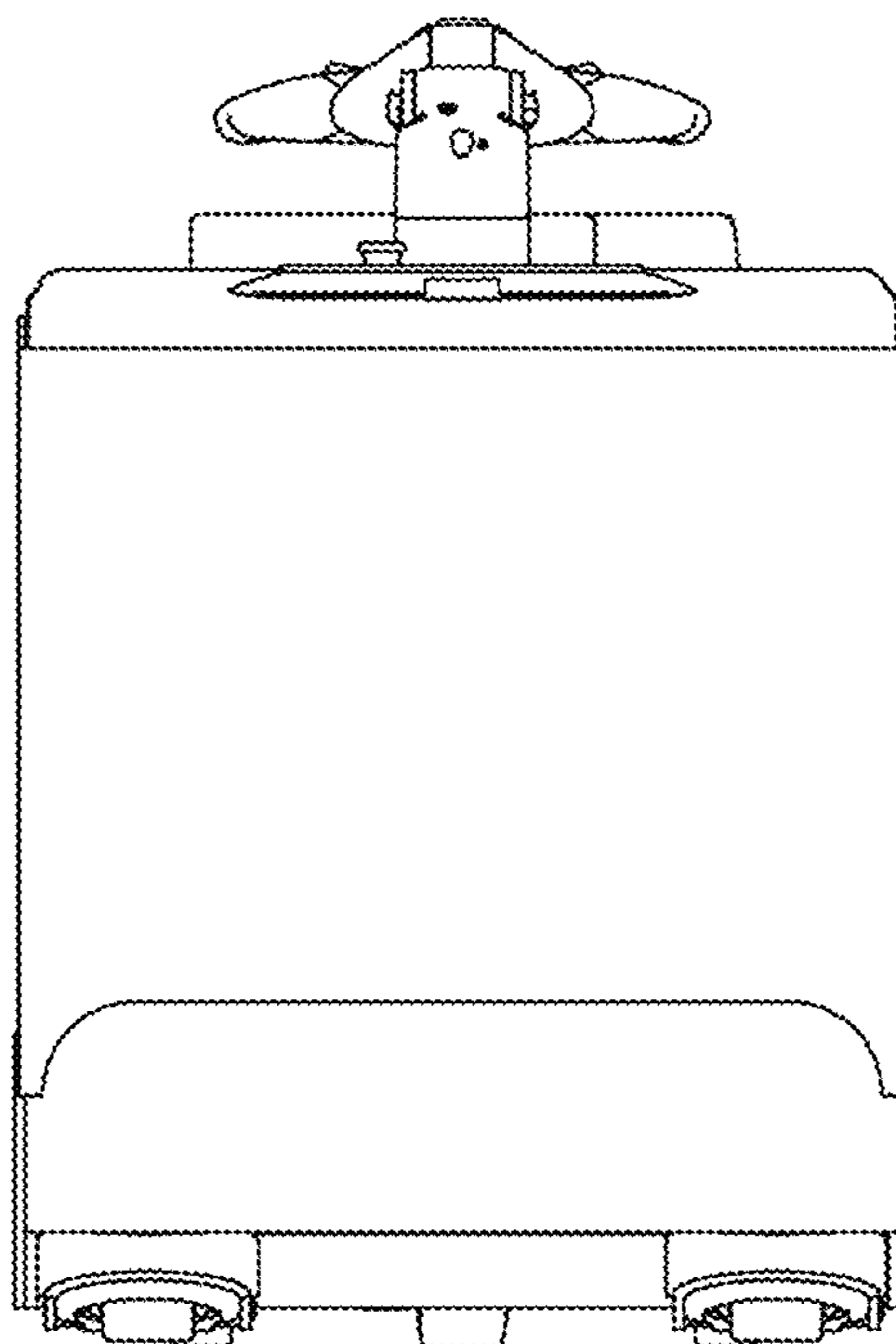
(57) **CLAIM**

The ornamental design for a forklift, as shown and described.

DESCRIPTION

FIG. 1 is an enlarged front elevation view of a forklift embodying the inventive design;
FIG. 2 is an enlarged rear elevation view thereof;
FIG. 3 is a left side elevation view thereof;
FIG. 4 is a right side elevation view thereof;
FIG. 5 is a top plan view thereof;
FIG. 6 is a perspective view thereof;
FIG. 7 is perspective view showing some elements of the forklift in an alternate position; and,
FIG. 8 is perspective view showing some elements of the forklift in another alternate position.

1 Claim, 8 Drawing Sheets



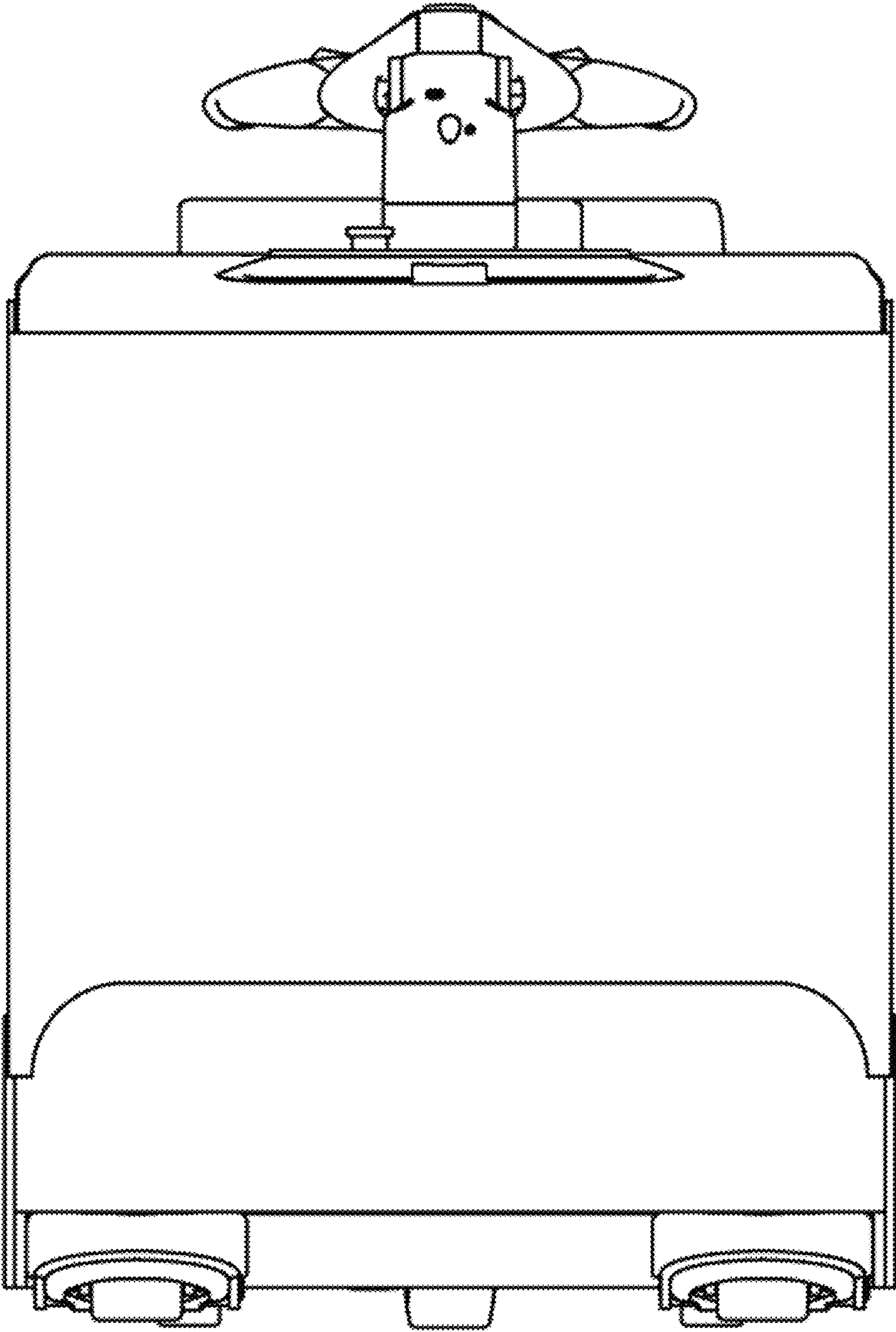


FIG. 1

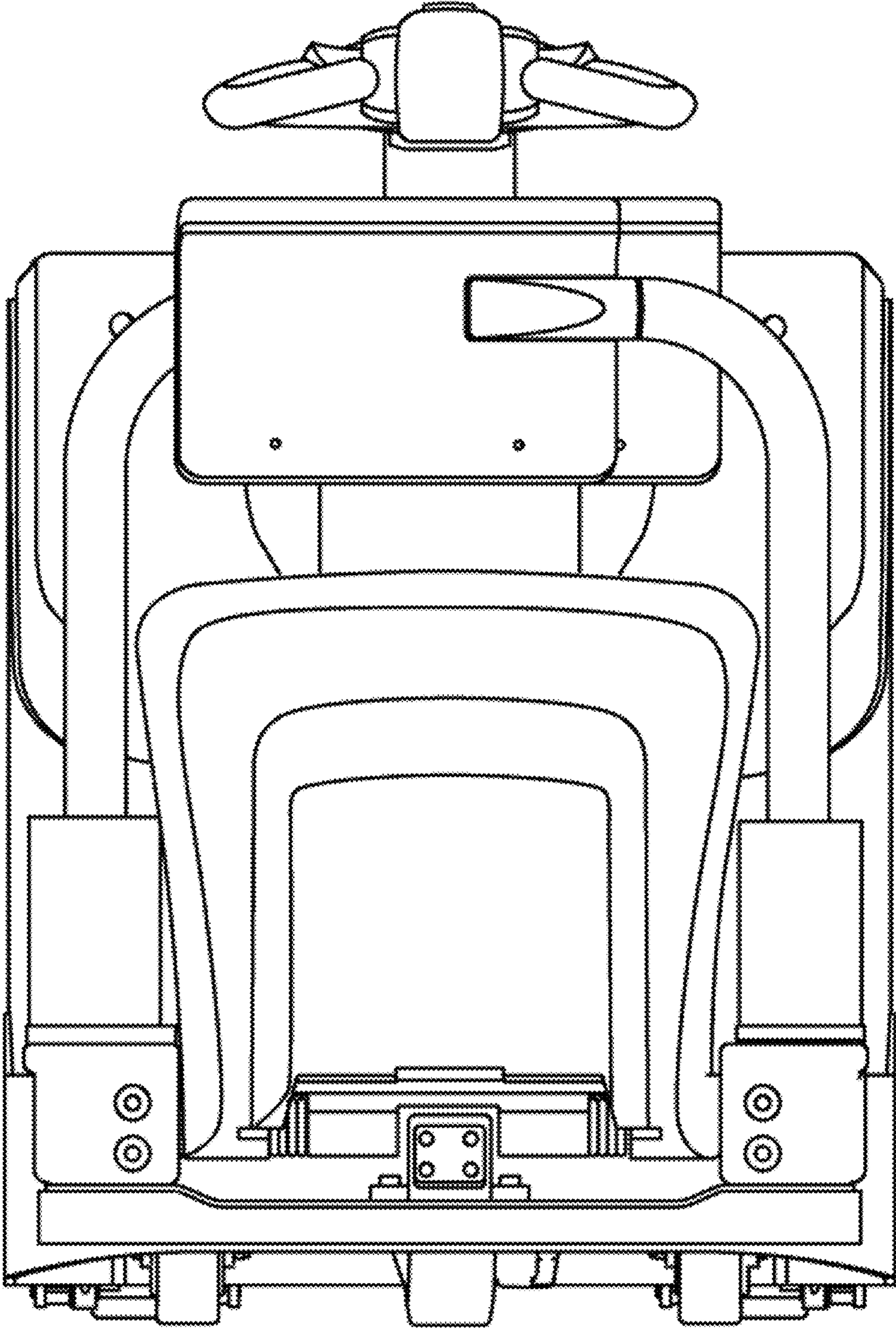


FIG. 2

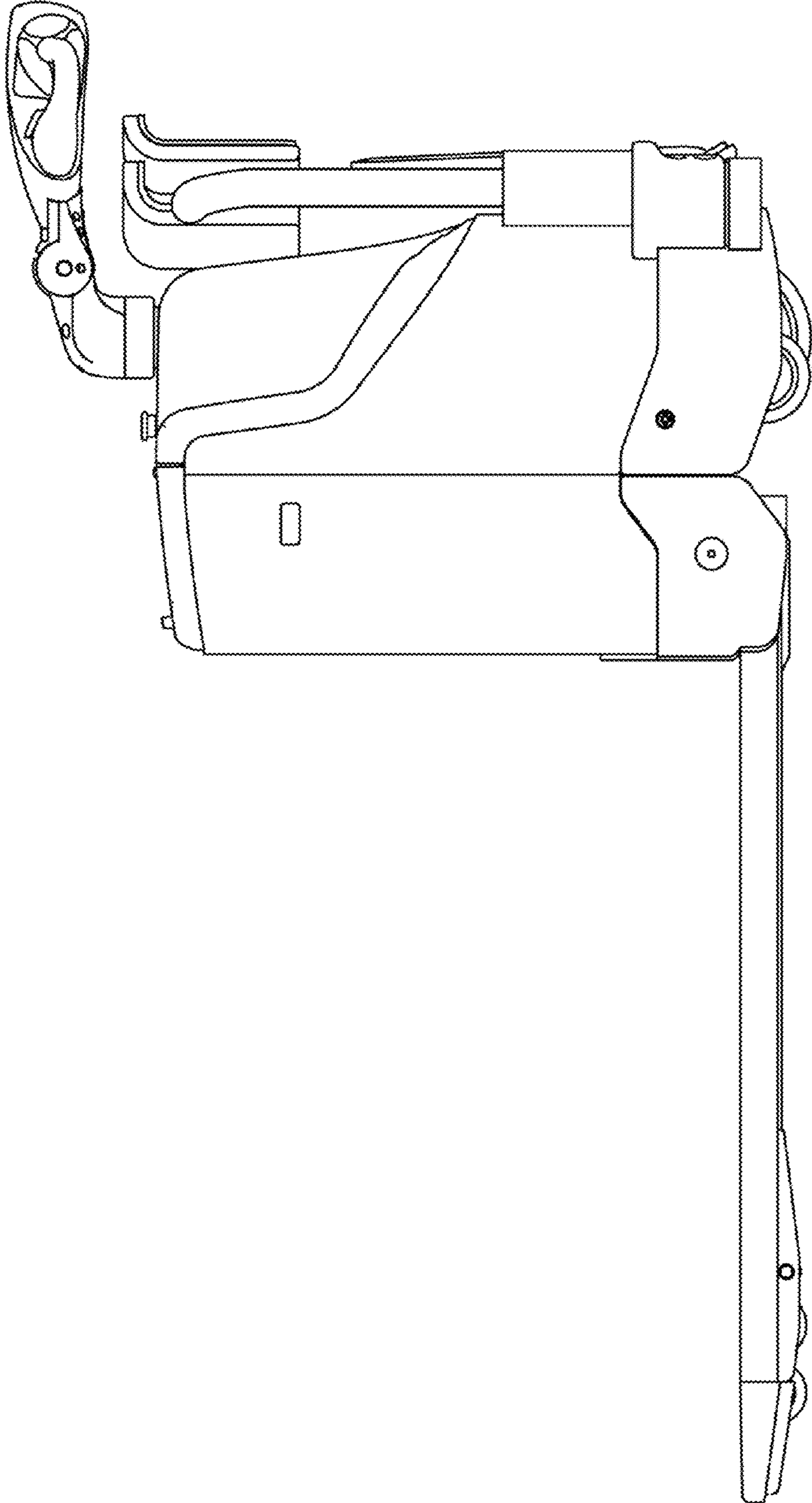


FIG. 3

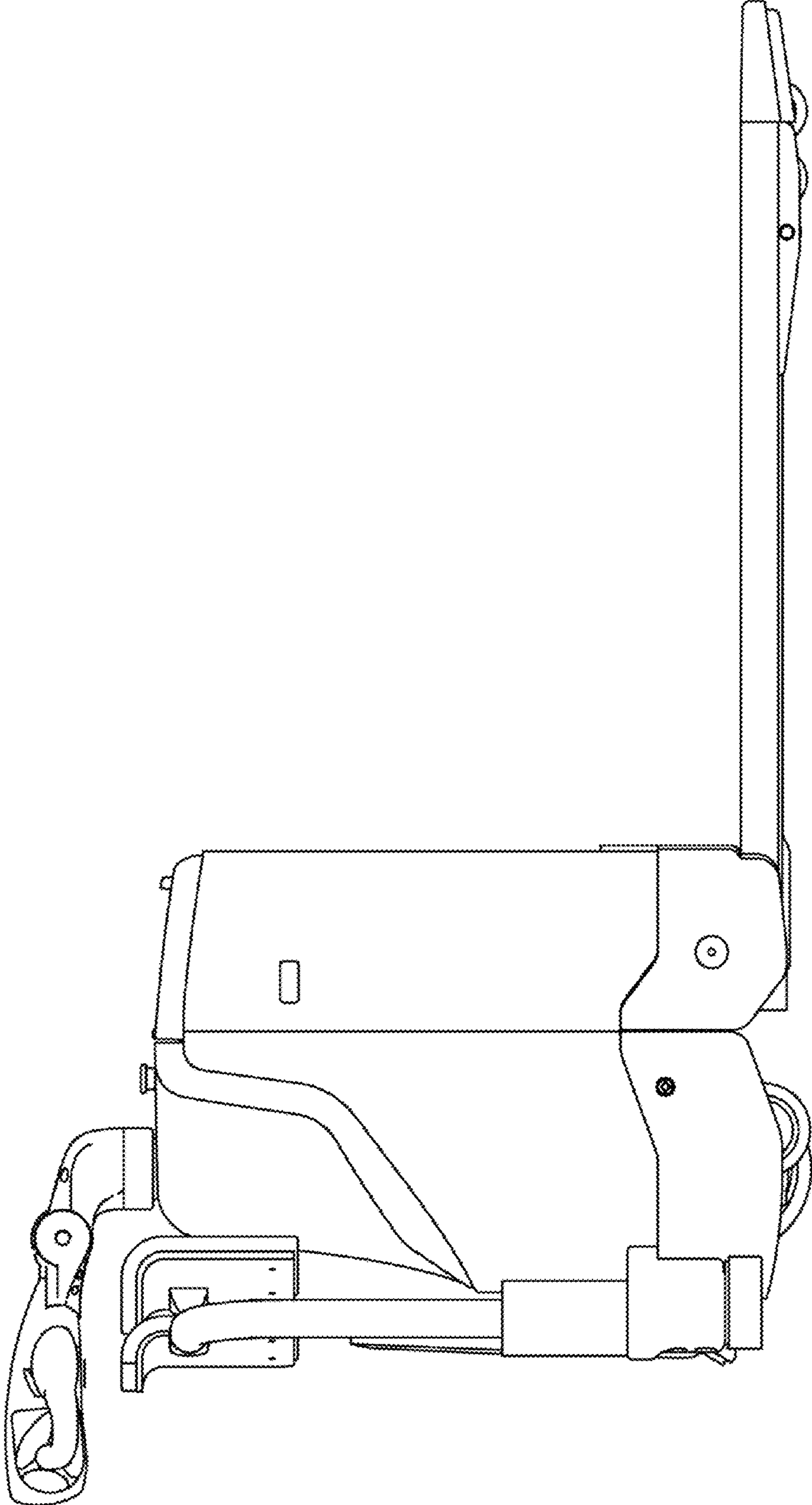


FIG. 4

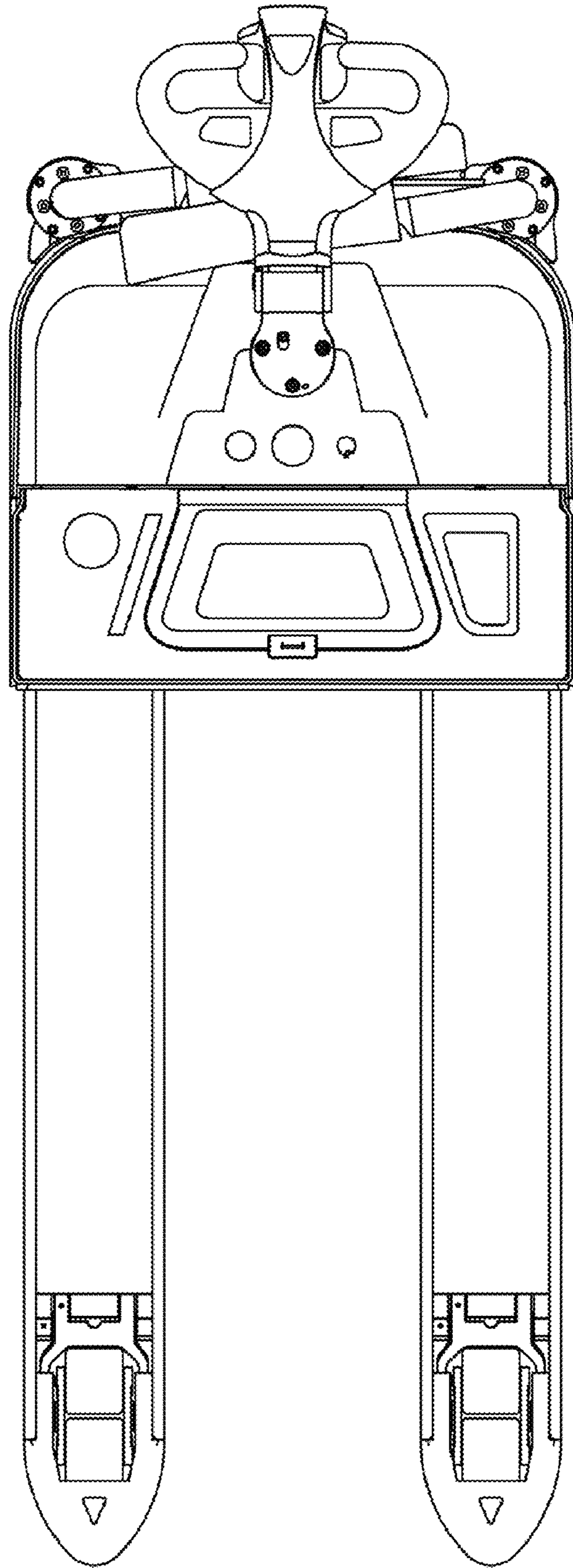


FIG. 5

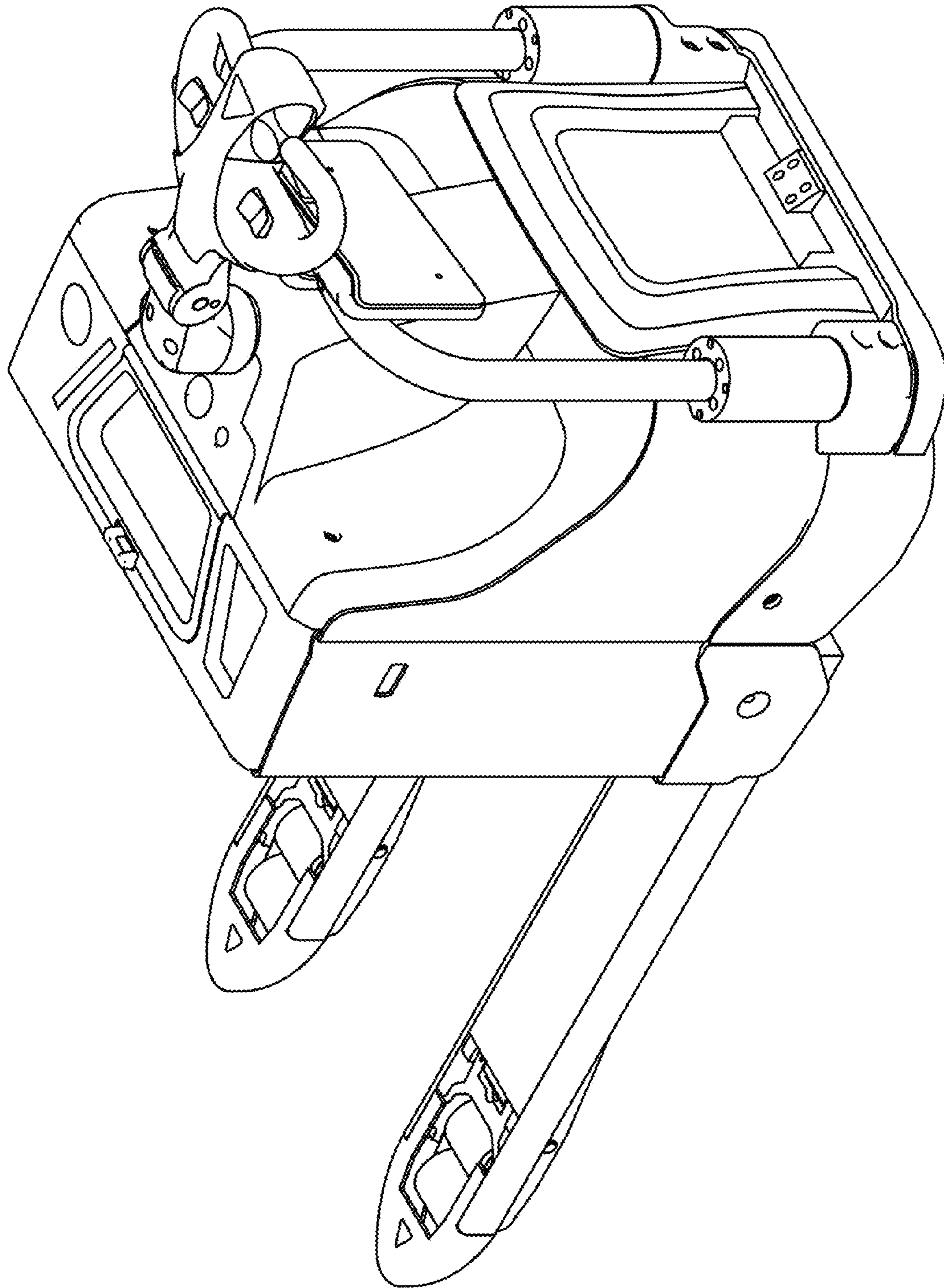


FIG. 6

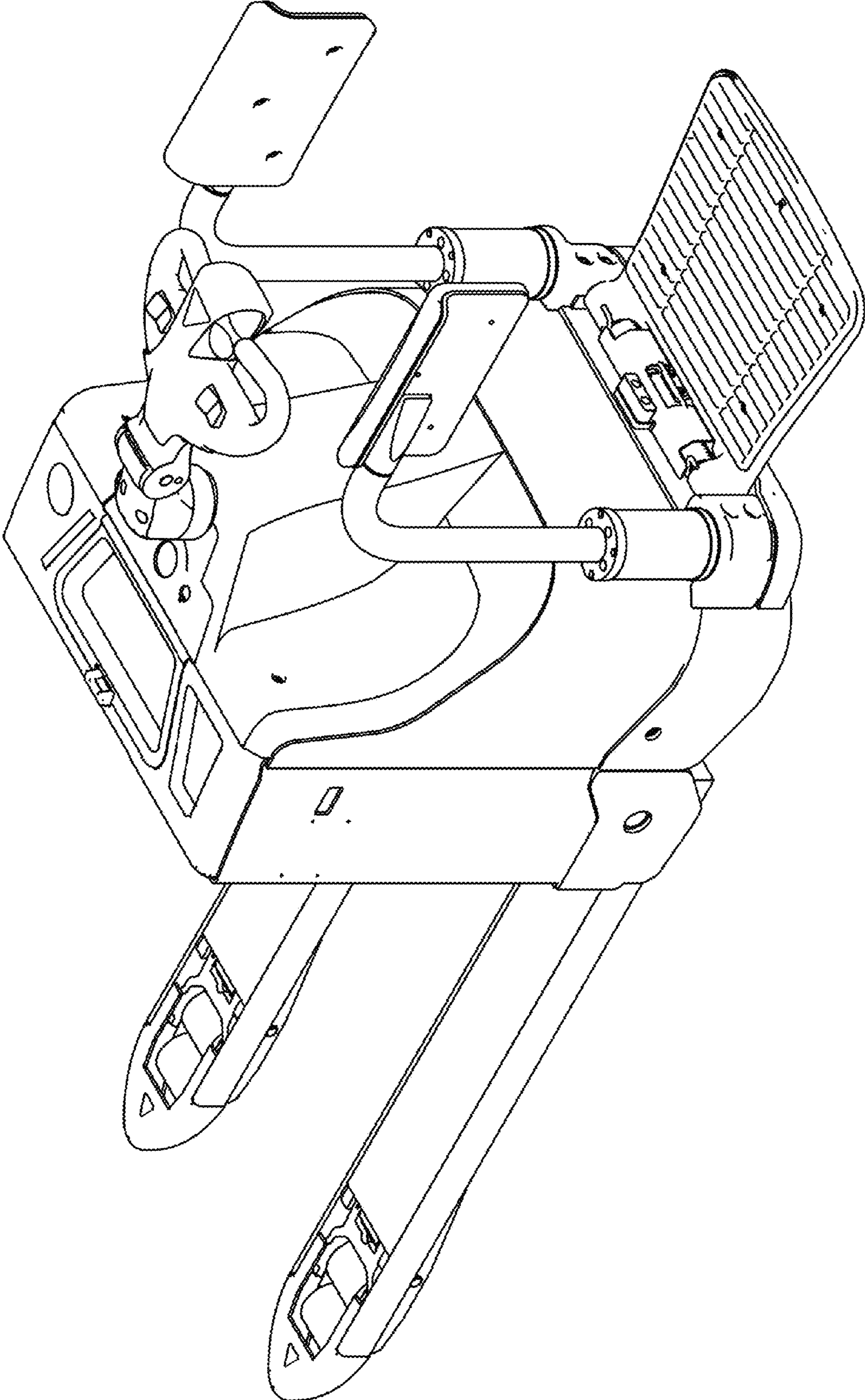


FIG. 7

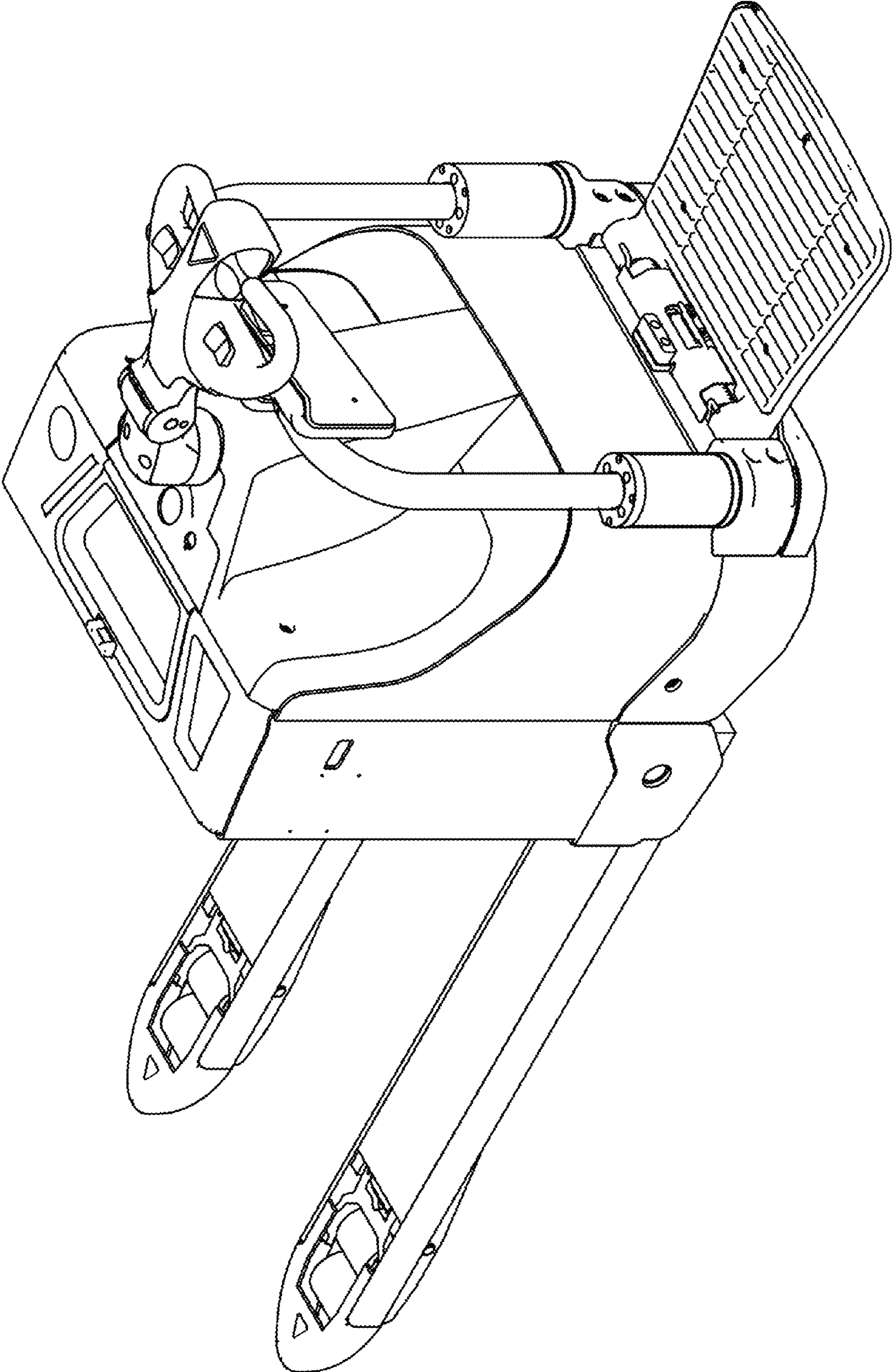


FIG. 8