

US00D752311S

(12) **United States Design Patent**
Madison

(10) **Patent No.:** **US D752,311 S**
(45) **Date of Patent:** **** Mar. 22, 2016**

(54) **COMBINED TRAILER JACK AND JACK STAND HOLDER**

(71) Applicant: **Kent R. Madison**, Echo, OR (US)

(72) Inventor: **Kent R. Madison**, Echo, OR (US)

(**) Term: **14 Years**

(21) Appl. No.: **29/517,128**

(22) Filed: **Feb. 10, 2015**

(51) **LOC (10) Cl.** **12-05**

(52) **U.S. Cl.**

USPC **D34/31**

(58) **Field of Classification Search**

USPC D34/31; 280/471, 475

CPC B60S 9/08; B60S 9/10; B60S 9/22;

B60S 9/04; B60S 9/06; B60D 1/36; B60D

1/363; B60D 1/38; B60D 1/065; B60D 1/40;

B62D 35/001

See application file for complete search history.

(56) **References Cited**

U.S. PATENT DOCUMENTS

2,219,907	A	4/1938	Ross	
2,153,722	A	4/1939	Loughmiller	
3,345,037	A	10/1967	Sweetland, Jr.	
3,425,714	A	2/1969	Morris	
3,580,543	A	5/1971	Hafeli	
3,841,663	A	10/1974	Proffit	
3,863,894	A	2/1975	Mansi et al.	
4,078,774	A	3/1978	Williams	
4,202,528	A	5/1980	Foster	
D260,382	S *	8/1981	Williams	D34/31
4,352,505	A	10/1982	Chambers	
4,441,693	A	4/1984	Silver	
4,461,491	A *	7/1984	Eklund	B60S 9/02 212/301
4,623,125	A	11/1986	Ebey	
4,871,183	A	10/1989	Moss	

D304,575	S *	11/1989	Batzel	D12/345
5,011,119	A	4/1991	Harrington	
D327,354	S	6/1992	Inman	
5,174,550	A	12/1992	Pittman	
D334,452	S *	3/1993	Duncan	D34/31
5,520,360	A	5/1996	Wensman	
6,267,357	B1	7/2001	Ebey et al.	
6,302,381	B1	10/2001	Roll	
7,648,154	B2	1/2010	Green	
8,167,330	B2	5/2012	MacDougall	
9,004,520	B2	4/2015	Madison	
2010/0213427	A1	8/2010	Trowbridge et al.	
2011/0215286	A1	9/2011	Harper	

(Continued)

OTHER PUBLICATIONS

Seven pictures of a product called Jack Saver downloaded from the internet which indicates they were published on Jan. 14, 2013.

(Continued)

Primary Examiner — Cynthia Ramirez

(74) *Attorney, Agent, or Firm* — Klarquist Sparkman, LLP

(57) **CLAIM**

The ornamental design for a combined trailer jack and jack stand holder, as shown and described.

DESCRIPTION

FIG. 1 is a perspective view of a combined trailer jack and jack stand holder showing my new design;

FIG. 2 is a top view thereof;

FIG. 3 is a bottom view thereof;

FIG. 4 is a front view thereof;

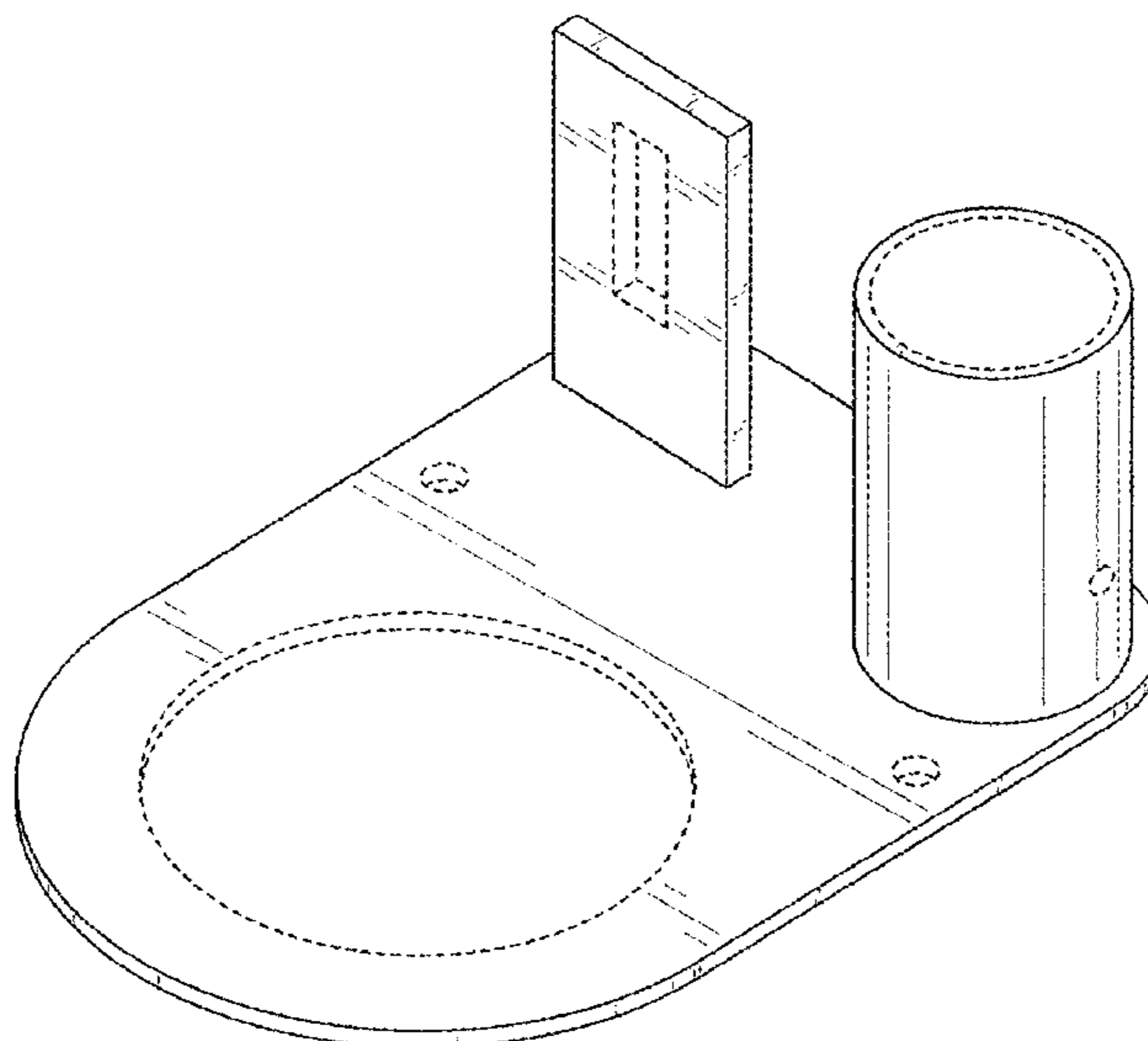
FIG. 5 is a rear view thereof;

FIG. 6 is a left side view thereof; and,

FIG. 7 is a right side view thereof.

The dashed lines in the drawings represent portions of the combined trailer jack and jack stand holder that do not form part of the claimed design.

1 Claim, 7 Drawing Sheets



(56)

References Cited

U.S. PATENT DOCUMENTS

2013/0249191	A1 *	9/2013	Lambros	B60S 9/00 280/475
2015/0115128	A1	4/2015	Madison	
2015/0158464	A1 *	6/2015	Alanko	B60S 9/08 254/105
2015/0224967	A1 *	8/2015	Rensink	B60S 9/10 254/93 R
2016/0001711	A1 *	1/2016	Hughes	B60R 9/06 224/403

OTHER PUBLICATIONS

Office action dated Oct. 7, 2013, issued by the United States Patent and Trademark Office in related U.S. Appl. No. 13/791,831, filed Mar. 8, 2013.

Office action dated Apr. 21, 2014, issued by the United States Patent and Trademark Office in related U.S. Appl. No. 13/791,831, filed Mar. 8, 2013.

U.S. Appl. No. 29/504,458, filed Oct. 6, 2014.

* cited by examiner

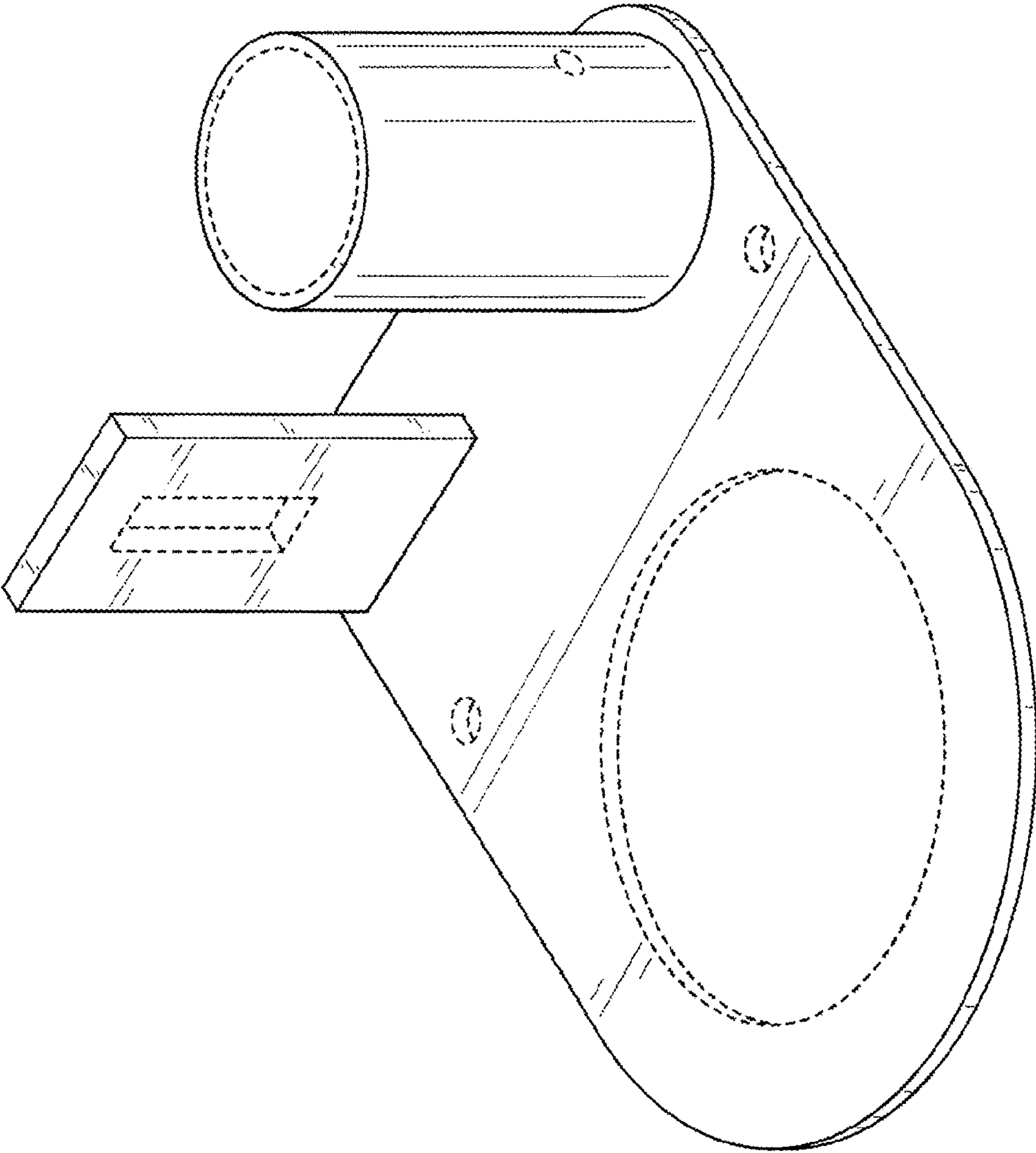


FIG. 1

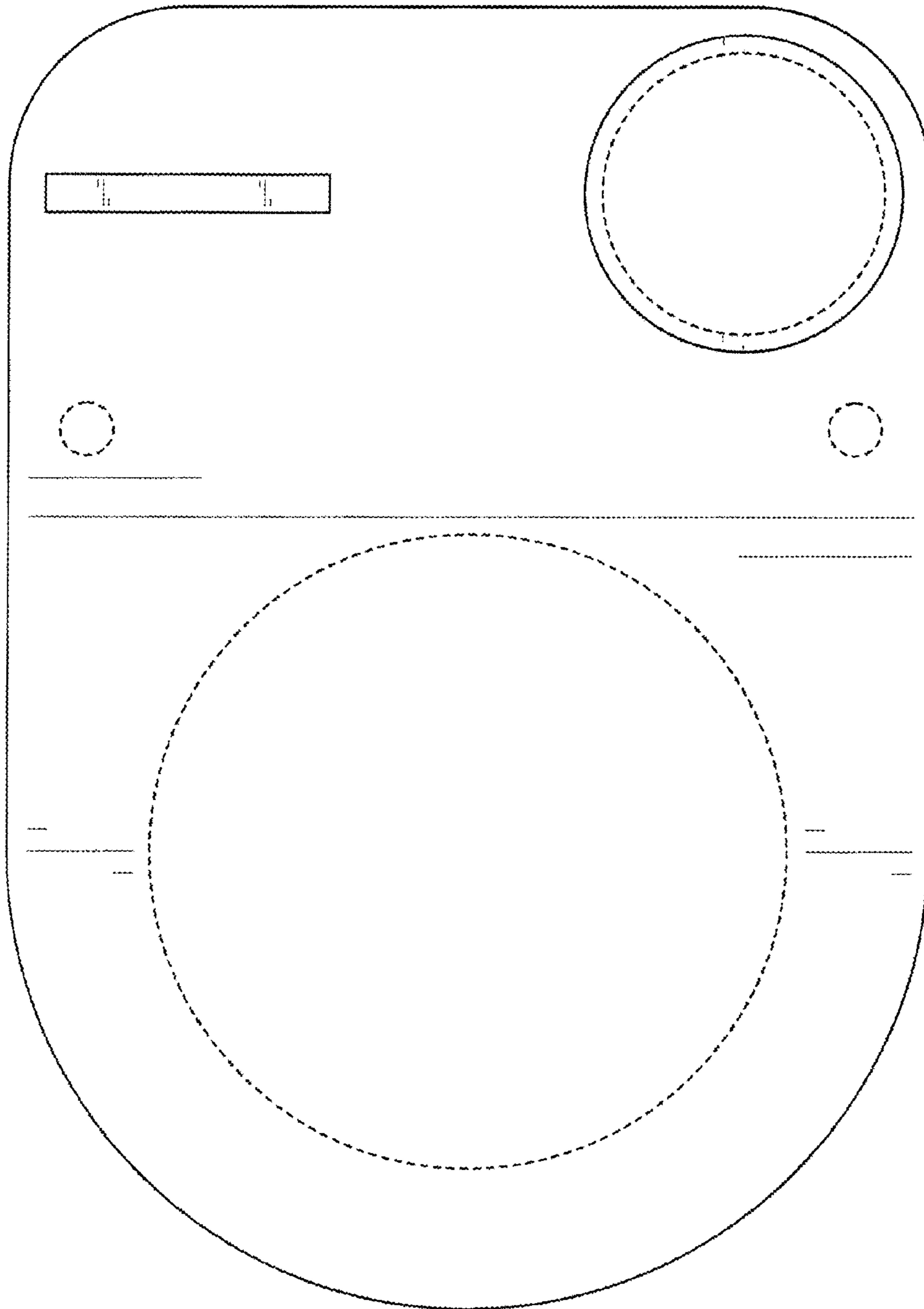


FIG. 2

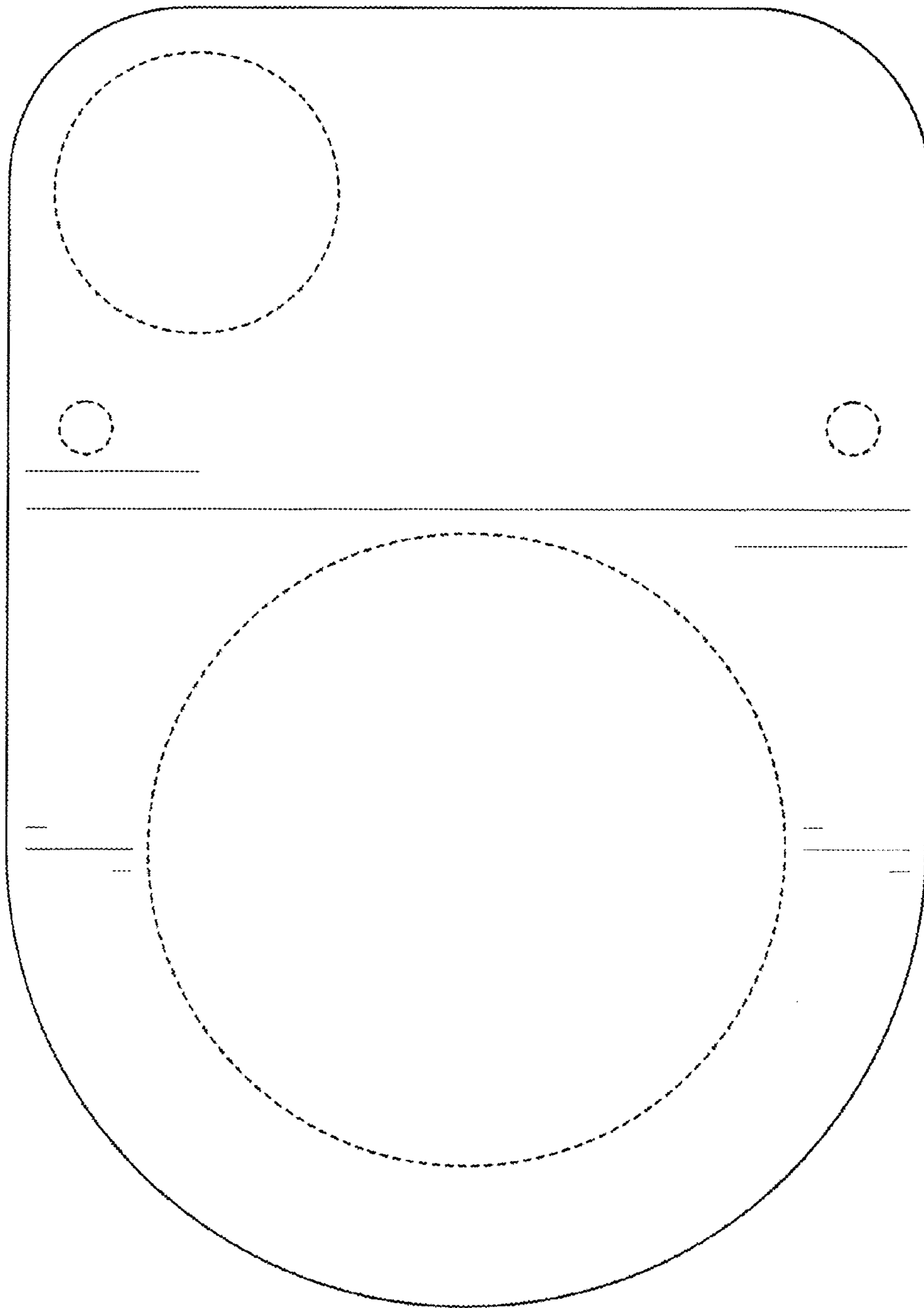


FIG. 3

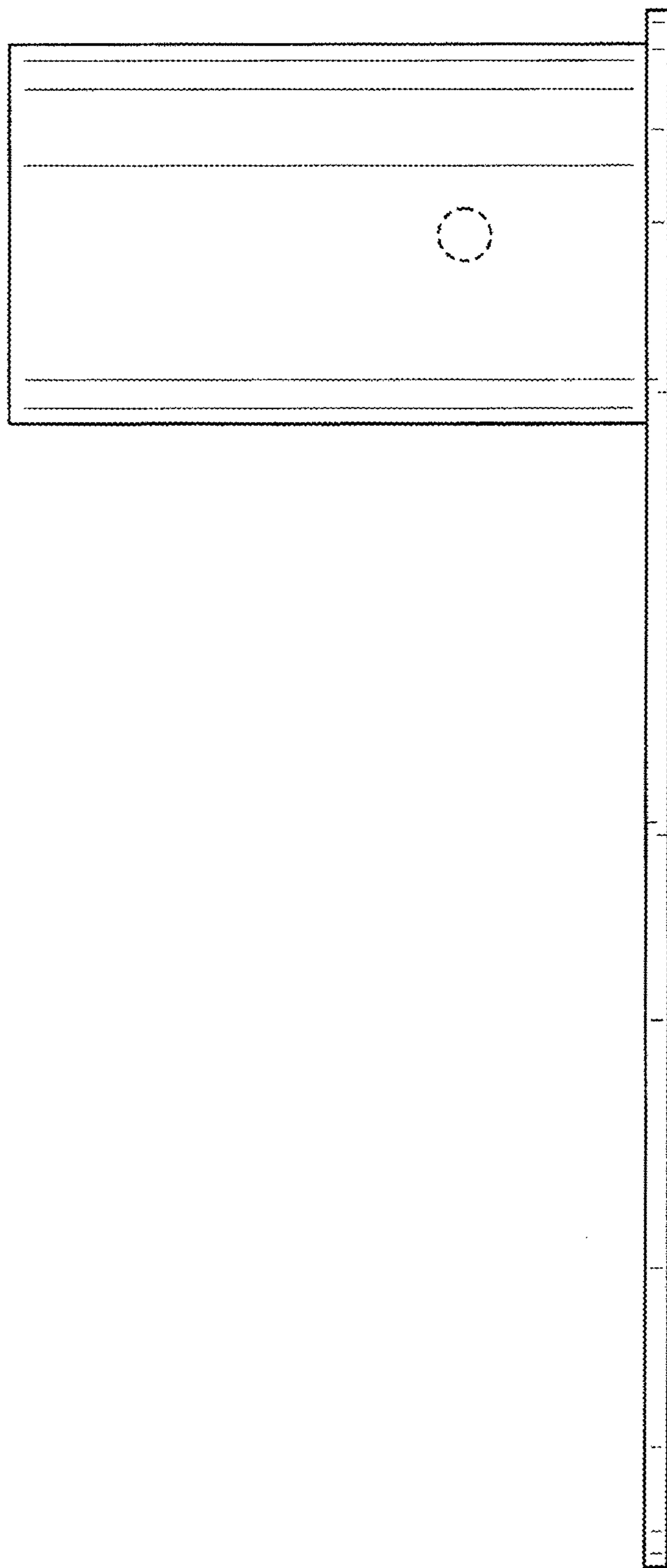


FIG. 4

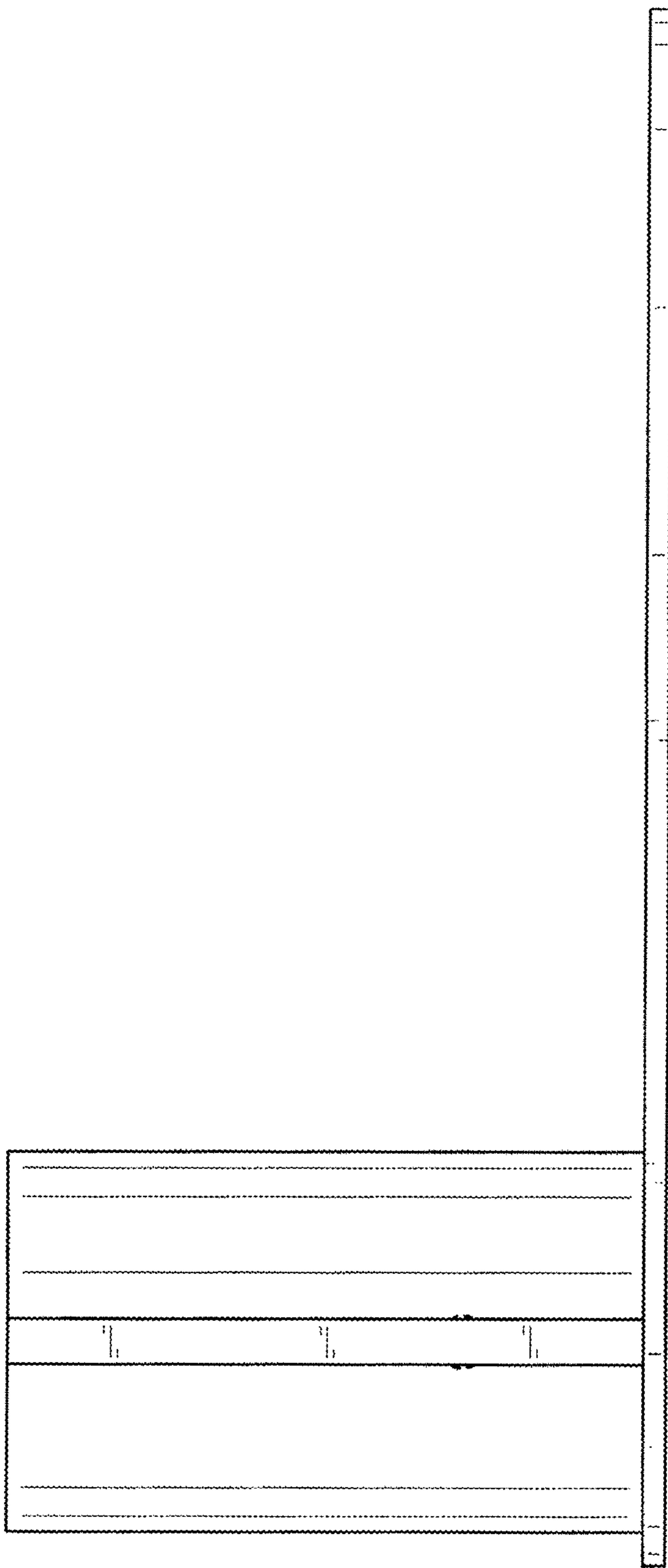


FIG. 5

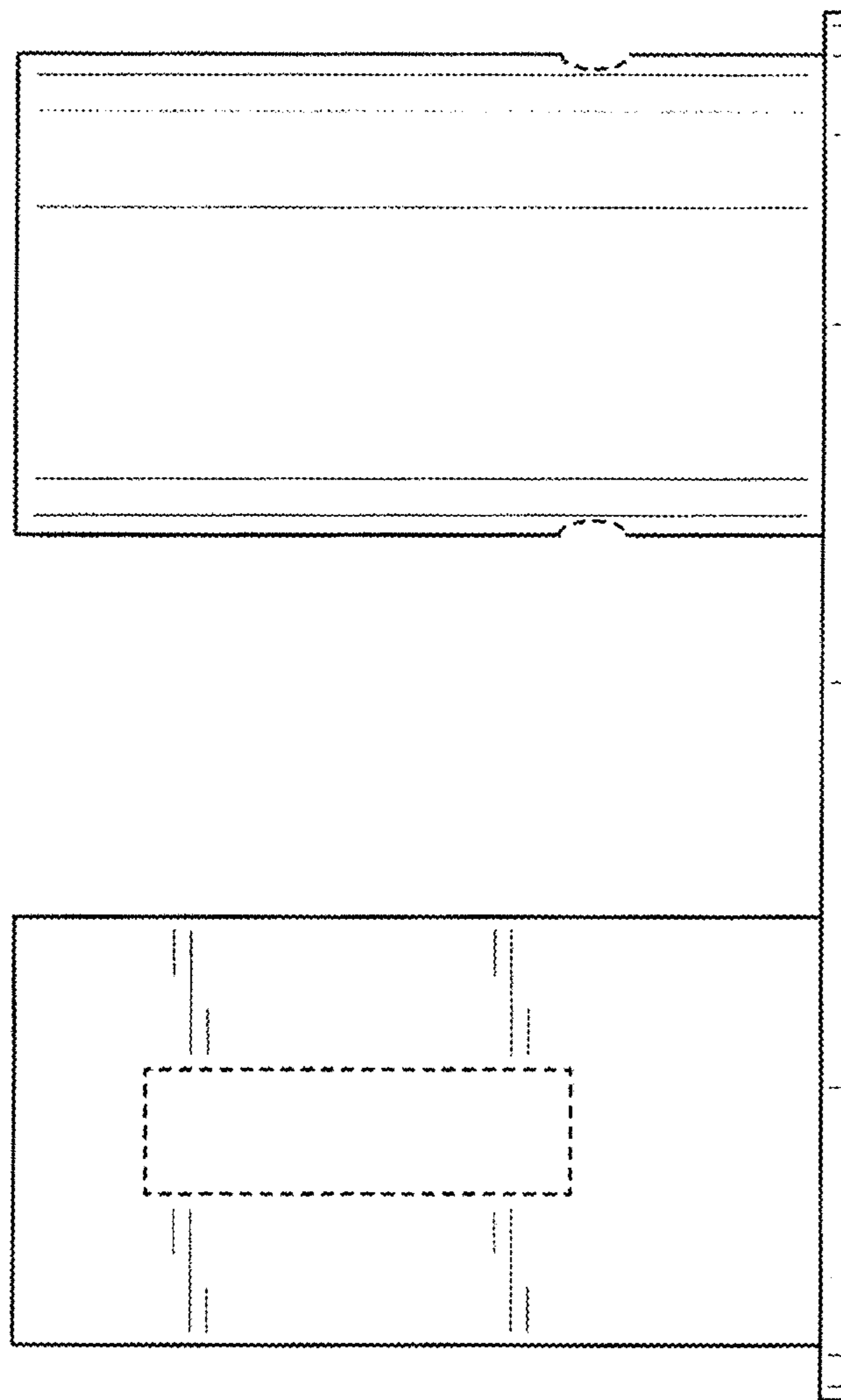


FIG. 6

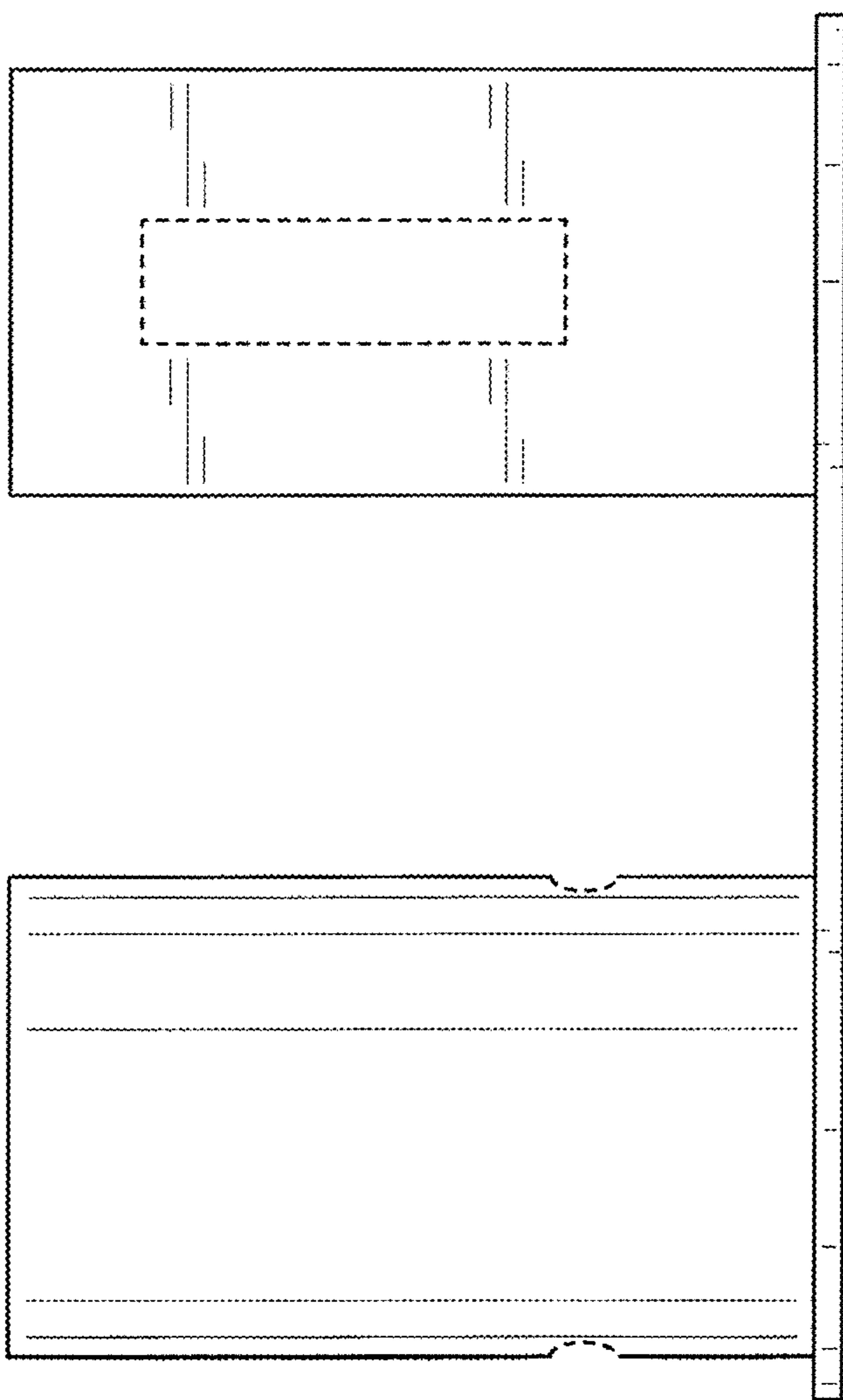


FIG. 7