

US00D752306S

(12) **United States Design Patent**
Mak

(10) **Patent No.:** **US D752,306 S**
(45) **Date of Patent:** **** Mar. 22, 2016**

(54) **LOOSE MATERIAL COLLECTION DEVICE**

FOREIGN PATENT DOCUMENTS

(76) Inventor: **Kenneth Mak**, San Francisco, CA (US)

JP D1150681 * 8/2002
KR 300493208-0000 * 6/2008

(**) Term: **14 Years**

(Continued)

(21) Appl. No.: **29/427,788**

OTHER PUBLICATIONS

(22) Filed: **Jul. 23, 2012**

Ge Hotpoint Lint Trap WE18x54 Lint Filter Screen, website copy-
right 2008, [online], [site visited Nov. 8, 2014], <[http://www.
partsreadyonline.com/item.php?ItemID=953](http://www.partsreadyonline.com/item.php?ItemID=953)>.*

(51) **LOC (10) Cl.** **15-05**

(Continued)

(52) **U.S. Cl.**
USPC **D32/74**

(58) **Field of Classification Search**
USPC D32/1, 25, 30, 35-37, 74, 40, 49, 46;
D23/209, 210, 225, 260, 270, 413;
210/232, 463, 497.01; D5/1-3;
D7/597, 688; D8/88, 89, 381, 393;
D25/17-18; 428/137

Primary Examiner — John Windmuller
Assistant Examiner — John R Yeh
(74) *Attorney, Agent, or Firm* — Onello & Mello, LLP

See application file for complete search history.

(57) **CLAIM**
An ornamental design for a loose material collection device,
as shown and described.

(56) **References Cited**

DESCRIPTION

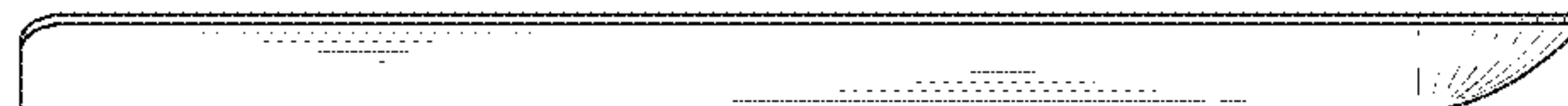
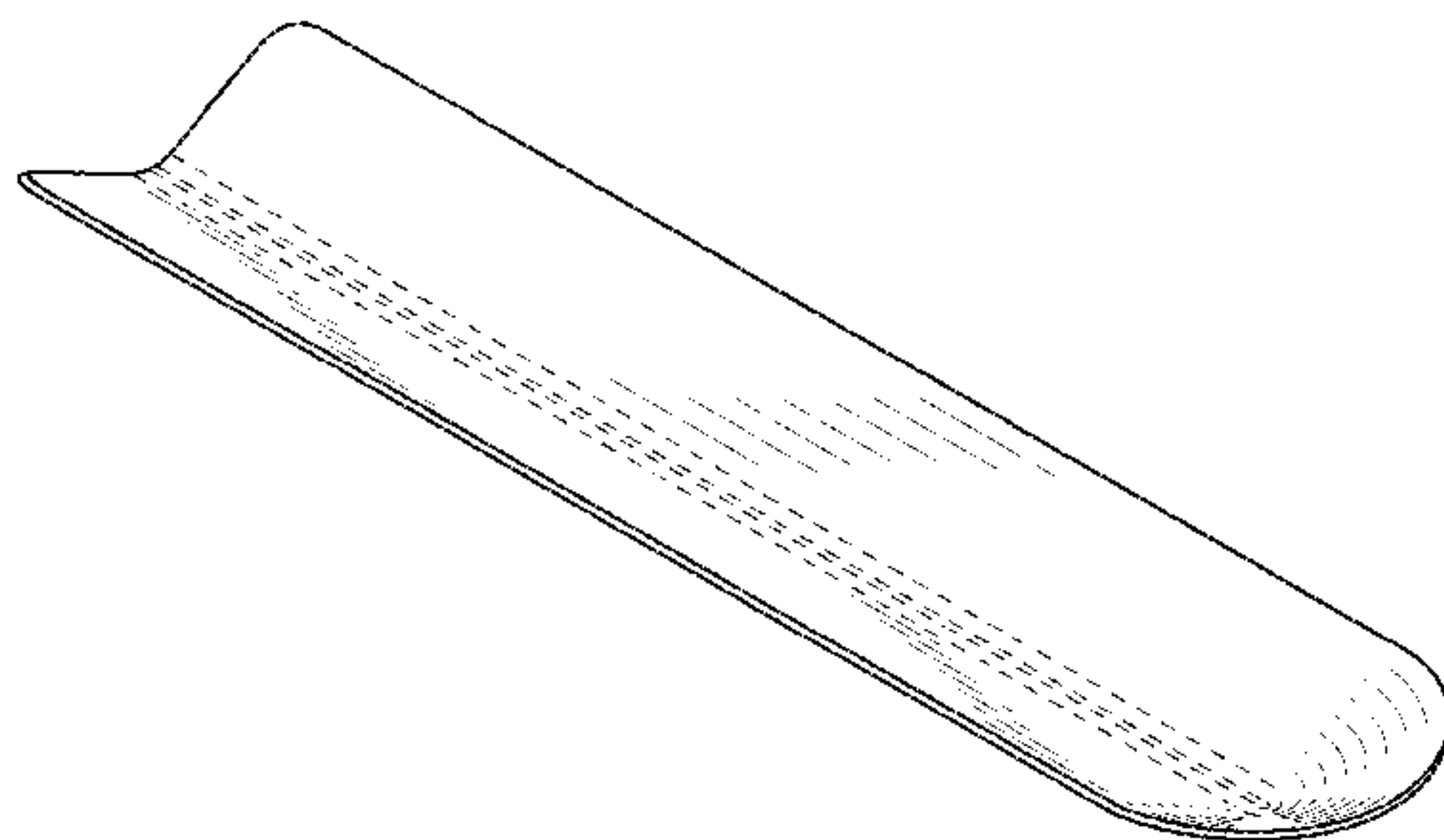
U.S. PATENT DOCUMENTS

355,648	A	1/1887	Hudson	
1,361,277	A *	12/1920	Mott	416/237
D67,263	S *	5/1925	Briggs	D32/49
D111,961	S *	11/1938	Farber	D32/74
2,238,745	A *	4/1941	Miller	15/105
2,494,572	A *	1/1950	Miller	15/105
D171,075	S *	12/1953	Bellon et al.	D8/355
2,977,130	A	3/1961	Jordan	
D195,638	S *	7/1963	Miller et al.	D8/34
3,784,245	A	1/1974	Koller	
3,833,249	A	9/1974	McKinney, II	
4,357,939	A *	11/1982	Jackson et al.	604/375
4,666,753	A *	5/1987	Matuska et al.	428/137
D295,336	S *	4/1988	Kuder	D32/74
D297,874	S *	9/1988	Jorgensen	D32/74
4,809,390	A	3/1989	Jackson et al.	
5,079,792	A *	1/1992	D'Haen	15/227
5,135,521	A *	8/1992	Luceri et al.	604/383
5,312,386	A *	5/1994	Correa et al.	604/379

(Continued)

FIG. 1 is a top perspective view of an embodiment of a loose material collection device, in accordance with the present invention;
FIG. 2 is a plan view of the loose material collection device of FIG. 1;
FIG. 3 is a side elevation view of the loose material collection device of FIG. 1;
FIG. 4 is a left side view of the loose material collection device of FIG. 3;
FIG. 5 is a right side view of the loose material collection device of FIG. 3;
FIG. 6 is a bottom view of the loose material collection device of FIG. 1; and,
FIG. 7 is a bottom perspective view of the loose material collection device of FIG. 1.
The broken lines in FIGS. 1, 2, 3, 6, and 7 in the drawings indicate portions of the loose material collection device that form no part of the claimed design.

1 Claim, 2 Drawing Sheets



(56)

References Cited

U.S. PATENT DOCUMENTS

D357,563 S * 4/1995 Vosbikian D32/41
 D359,892 S * 7/1995 Isbell, Sr. D8/10
 D363,582 S * 10/1995 Siler D32/74
 D368,574 S * 4/1996 Graham D2/642
 D369,886 S * 5/1996 McCollum D32/46
 5,588,301 A * 12/1996 Deroche, Sr. 62/61
 5,609,588 A * 3/1997 DiPalma et al. 604/369
 5,817,079 A * 10/1998 Bergquist et al. 604/378
 5,878,461 A 3/1999 Killian
 5,962,106 A * 10/1999 De Carvalho et al. 428/131
 6,102,278 A 8/2000 Rothas
 D434,845 S * 12/2000 Gajewski D23/413
 6,426,132 B1 * 7/2002 Stewart 428/137
 6,448,466 B1 * 9/2002 Ribeiro de Carvalho 604/378
 D473,988 S * 4/2003 Miller D32/74
 6,733,056 B2 5/2004 Daniele
 D493,943 S * 8/2004 Mendenhall D1/123
 7,025,397 B2 4/2006 Simone
 D519,794 S 5/2006 Roberts
 D577,444 S * 9/2008 Moller, Jr. D25/136
 D594,551 S * 6/2009 Parker et al. D23/413
 D596,285 S * 7/2009 Liu D23/413
 D599,628 S 9/2009 Pourounidis et al.
 D605,930 S * 12/2009 Piersant D8/381
 D613,473 S * 4/2010 Pierce D32/46
 8,490,240 B1 7/2013 Mackesy et al.
 D699,143 S * 2/2014 Xu D11/3
 D707,506 S 6/2014 Masalin et al.
 D712,295 S * 9/2014 Ennis et al. D11/3
 2005/0193516 A1 * 9/2005 Hughes 15/236.01
 2007/0181593 A1 * 8/2007 Longo et al. 221/64
 2010/0114053 A1 * 5/2010 Mandeville 604/385.06

FOREIGN PATENT DOCUMENTS

KR 300498886-0000 * 7/2008
 KR 300558333-0000 * 4/2010

OTHER PUBLICATIONS

Pig Form a Funnel, google publish date Jan. 29, 2008, [online], [site visited Dec. 1, 2014 4:29:46 PM], <<http://www.newpig.com/pig/US/pig-form-a-funnel-flexible-draining-tool-tls703>>.*
 Pig Form a Funnel flexible draining tool, Internet wayback date May 12, 2011, [online], [site visited Dec. 1, 2014], <<http://web.archive.org/web/20110512004708/http://www.formafunnel.com/>>.*
 Crumb Catcher, google pub date Aug. 19, 2010, [online], [site visited Dec. 1, 2014], <<http://hotel-supply.peachsuite.com/table-crumbers.html>>.*
 Christofle Fidelio crumb sweeper | Artedona.com, website copyright 2015, online, <https://www.artedona.com/en/Table-Accessories/Further-table-accessories/Christofle-Fidelio-crumb-sweeper.html>, [site visited Aug. 5, 2015 10:05:34 PM].*
 C-RistBalestri.IT—Accessories—Crumb collector, catalog add date Nov. 4, 2011, online, <http://www.c-ristbalestri.it/crumb-collector-p-1632.html?osCsid=bd8e852926927e81b0fe7ab1b8887474>, [site visited Aug. 5, 2015 10:07:20 PM].*
 Corresponding European Registered Community Design No. 002171348-0001, published Apr. 16, 2013, Mak, Kenneth, “Loose Material Collection Device,” OHIM—Office for Harmonization in the Internal Market.
 Corresponding European Registered Community Design No. 002171348-0002, published Apr. 16, 2013, Mak, Kenneth, “Loose Material Collection Device,” OHIM—Office for Harmonization in the Internal Market.

* cited by examiner

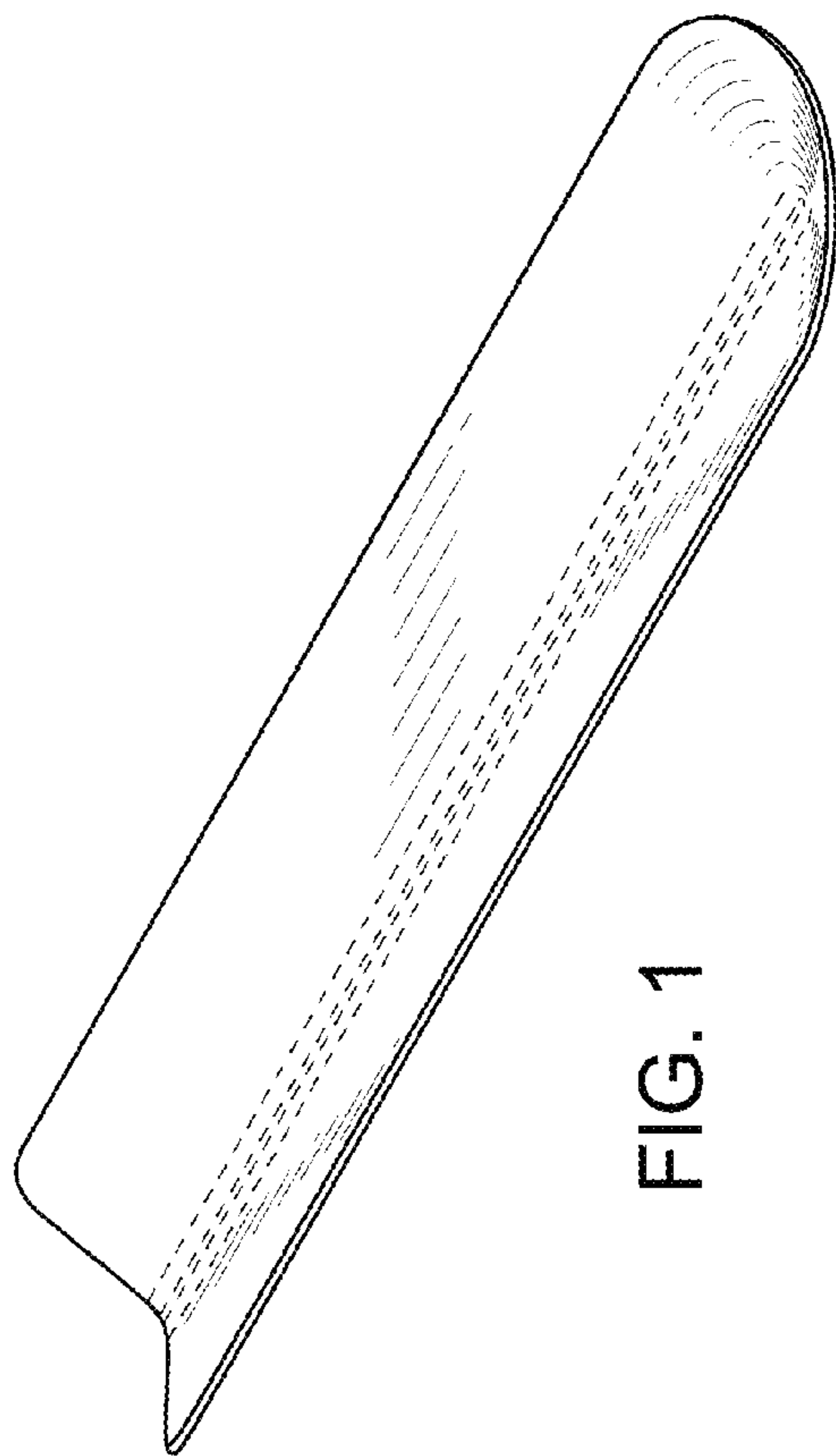


FIG. 1

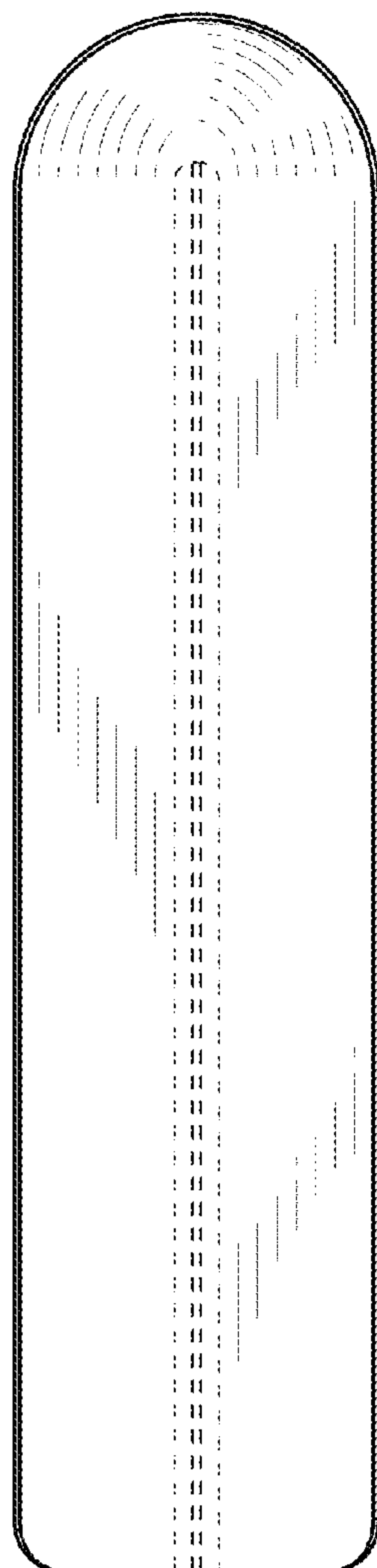


FIG. 2



FIG. 4

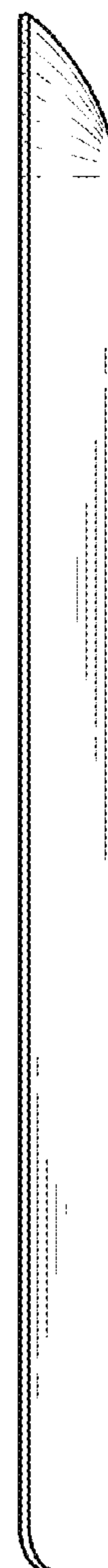


FIG. 3



FIG. 5

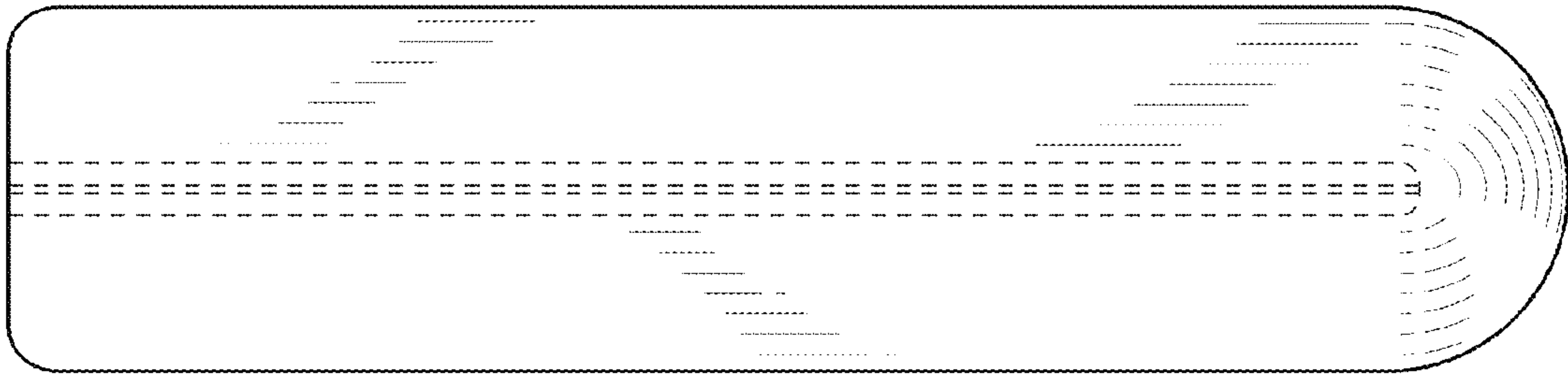


FIG. 6

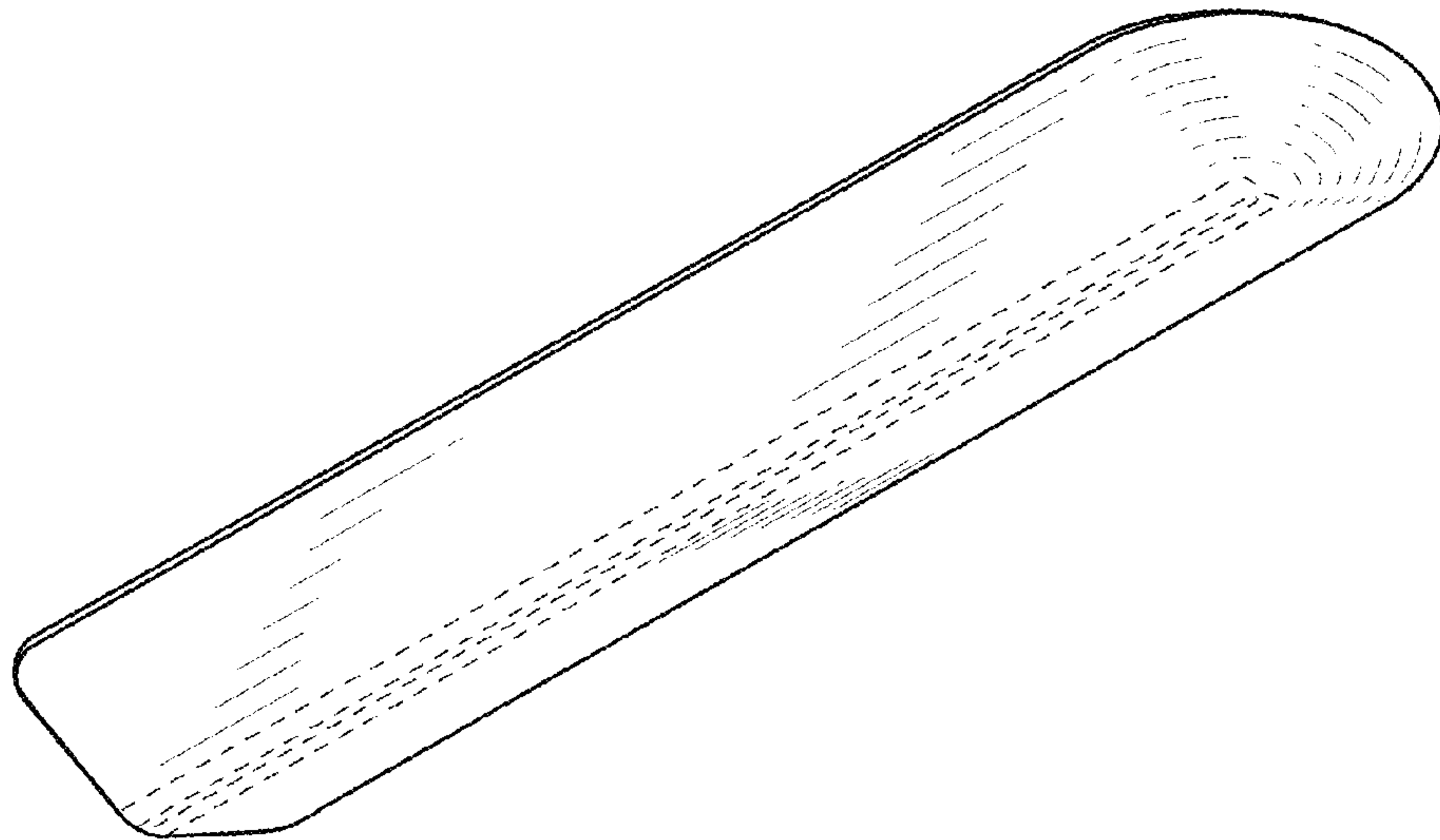


FIG. 7