



US00D752305S

(12) **United States Design Patent**  
**DePietro**

(10) **Patent No.:** **US D752,305 S**  
(45) **Date of Patent:** **\*\* Mar. 22, 2016**

(54) **IMPLEMENT HANDLE CONNECTOR**

(71) Applicant: **Cequent Consumer Products, Inc.**,  
Solon, OH (US)

(72) Inventor: **Thomas DePietro**, Lakewood, OH (US)

(73) Assignee: **Cequent Consumer Products, Inc.**,  
Solon, OH (US)

(\*\*) Term: **14 Years**

(21) Appl. No.: **29/490,439**

(22) Filed: **May 9, 2014**

(51) **LOC (10) Cl.** ..... **04-01**

(52) **U.S. Cl.**  
USPC ..... **D32/50; D8/376**

(58) **Field of Classification Search**  
USPC ..... D8/16, 18, 19, 20, 105, 356, 363, 366,  
D8/370-377, 380-382; D6/406.2;  
D12/106, 48; D32/40, 25, 50  
CPC ..... B25F 1/00; B25F 1/02; A45F 2200/0575;  
G01B 5/18  
See application file for complete search history.

(56) **References Cited**

**U.S. PATENT DOCUMENTS**

D195,818 S *	8/1963	Herman	.....	D32/50
D199,023 S *	9/1964	Auwarter	.....	D32/50
D206,571 S *	1/1967	Herman	.....	D32/50
D211,197 S *	5/1968	Malmo	.....	D32/50
D282,112 S *	1/1986	Maust	.....	D32/50
D412,433 S *	8/1999	Bredemeier	.....	D8/363

(Continued)

*Primary Examiner* — Robert M Spear

*Assistant Examiner* — Eliza Bennett-Hattan

(74) *Attorney, Agent, or Firm* — McDonald Hopkins LLC

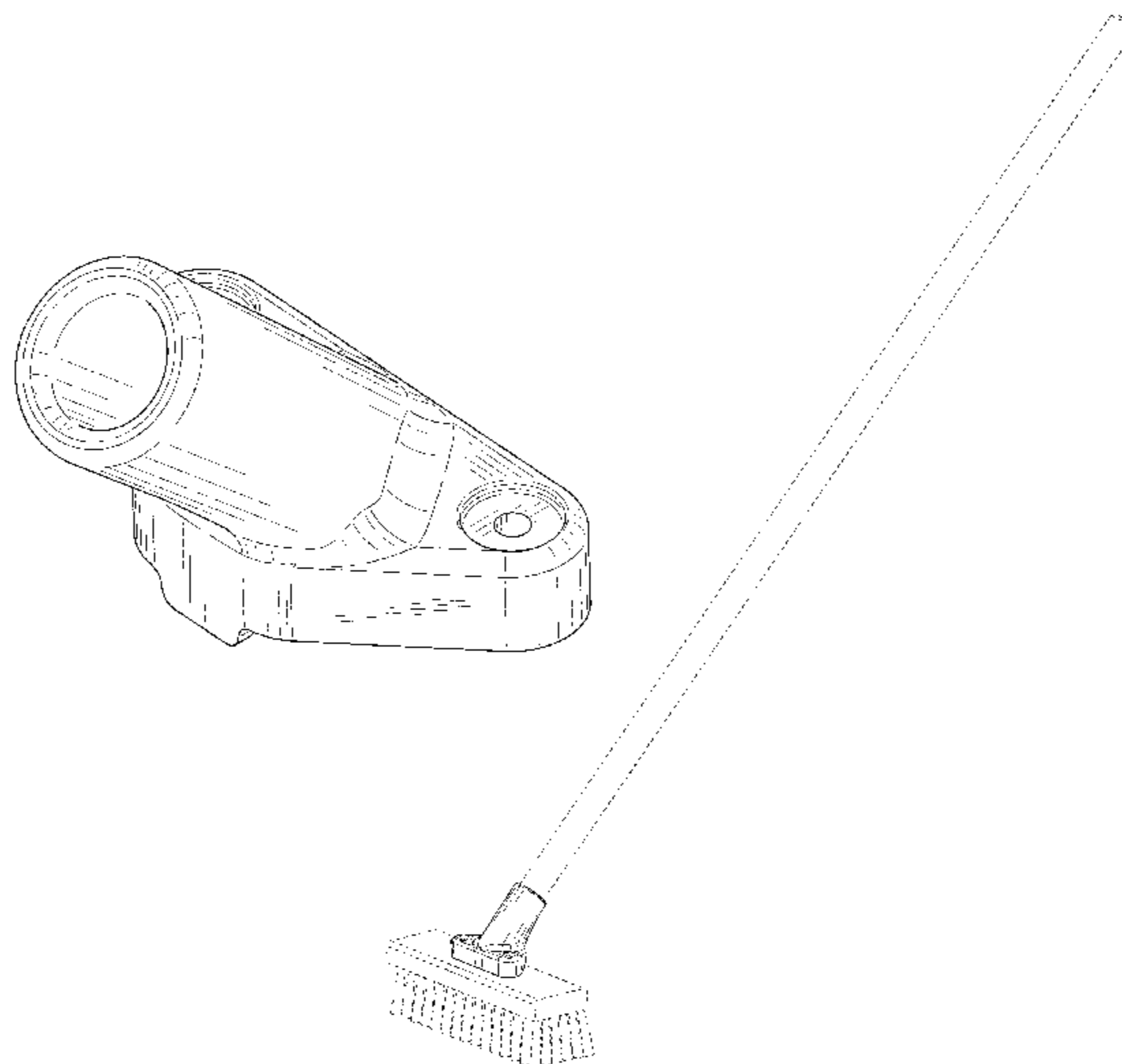
(57) **CLAIM**

The ornamental design of an implement handle connector, as shown and described.

**DESCRIPTION**

FIG. 1 is a perspective view of an implement handle connector showing my new design;  
 FIG. 2 is a rear view thereof;  
 FIG. 3 is a front view thereof;  
 FIG. 4 is a first side view thereof;  
 FIG. 5 is a second side view thereof;  
 FIG. 6 is a top plan view thereof;  
 FIG. 7 is a bottom plan view thereof;  
 FIG. 8 is a perspective view thereof attached with a first implement;  
 FIG. 9 is a perspective view thereof attached with a second implement;  
 FIG. 10 is a perspective view thereof attached with a third implement;  
 FIG. 11 is a perspective view of a second embodiment an implement handle connector showing my new design;  
 FIG. 12 is a rear view thereof;  
 FIG. 13 is a front view thereof;  
 FIG. 14 is a first side view thereof;  
 FIG. 15 is a second side view thereof;  
 FIG. 16 is a top plan view thereof;  
 FIG. 17 is a bottom plan view thereof;  
 FIG. 18 is a perspective view thereof attached with a first implement;  
 FIG. 19 is a perspective view thereof attached with a second implement;  
 FIG. 20 is a perspective view thereof attached with a third implement;  
 FIG. 21 is a perspective view of a third embodiment an implement handle connector showing my new design;  
 FIG. 22 is a rear view thereof;  
 FIG. 23 is a front view thereof;  
 FIG. 24 is a first side view thereof;  
 FIG. 25 is a second side view thereof;  
 FIG. 26 is a top plan view thereof; and,  
 FIG. 27 is a bottom plan view thereof.  
 The features shown in broken lines in the drawing figures depict environmental subject matter only and form no part of the claimed design.

**1 Claim, 18 Drawing Sheets**



# US D752,305 S

Page 2

---

(56)

## References Cited

### U.S. PATENT DOCUMENTS

D417,605 S \* 12/1999 Sartini ..... D8/363  
D421,710 S \* 3/2000 Hajek ..... D8/1  
D537,993 S \* 3/2007 Deleo ..... D32/25

D552,455 S \* 10/2007 Moore ..... D8/363  
D572,123 S \* 7/2008 Huang ..... D8/374  
D572,574 S \* 7/2008 Lee ..... D8/363  
D633,780 S \* 3/2011 Barrese ..... D8/363

\* cited by examiner

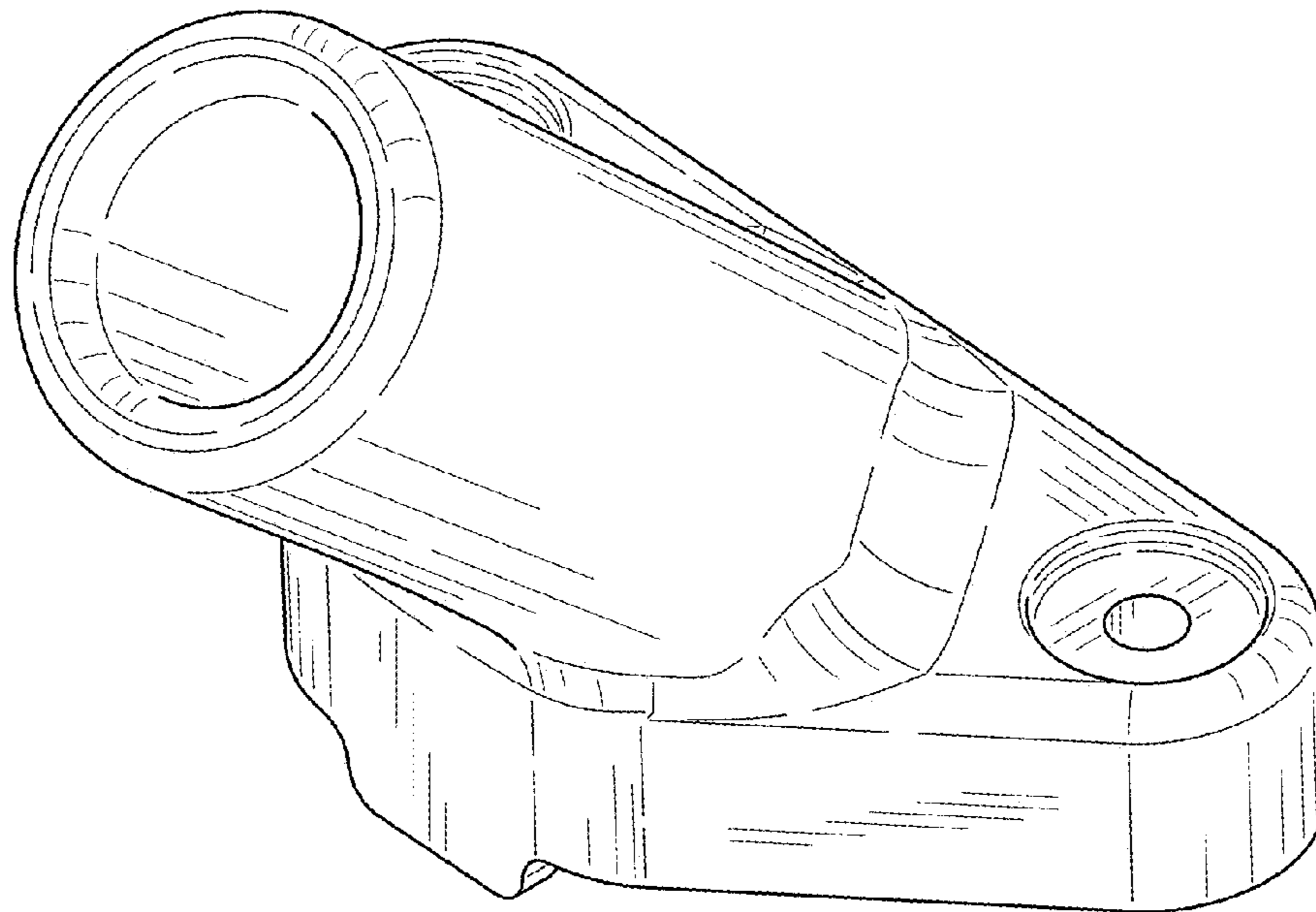


FIG. 1

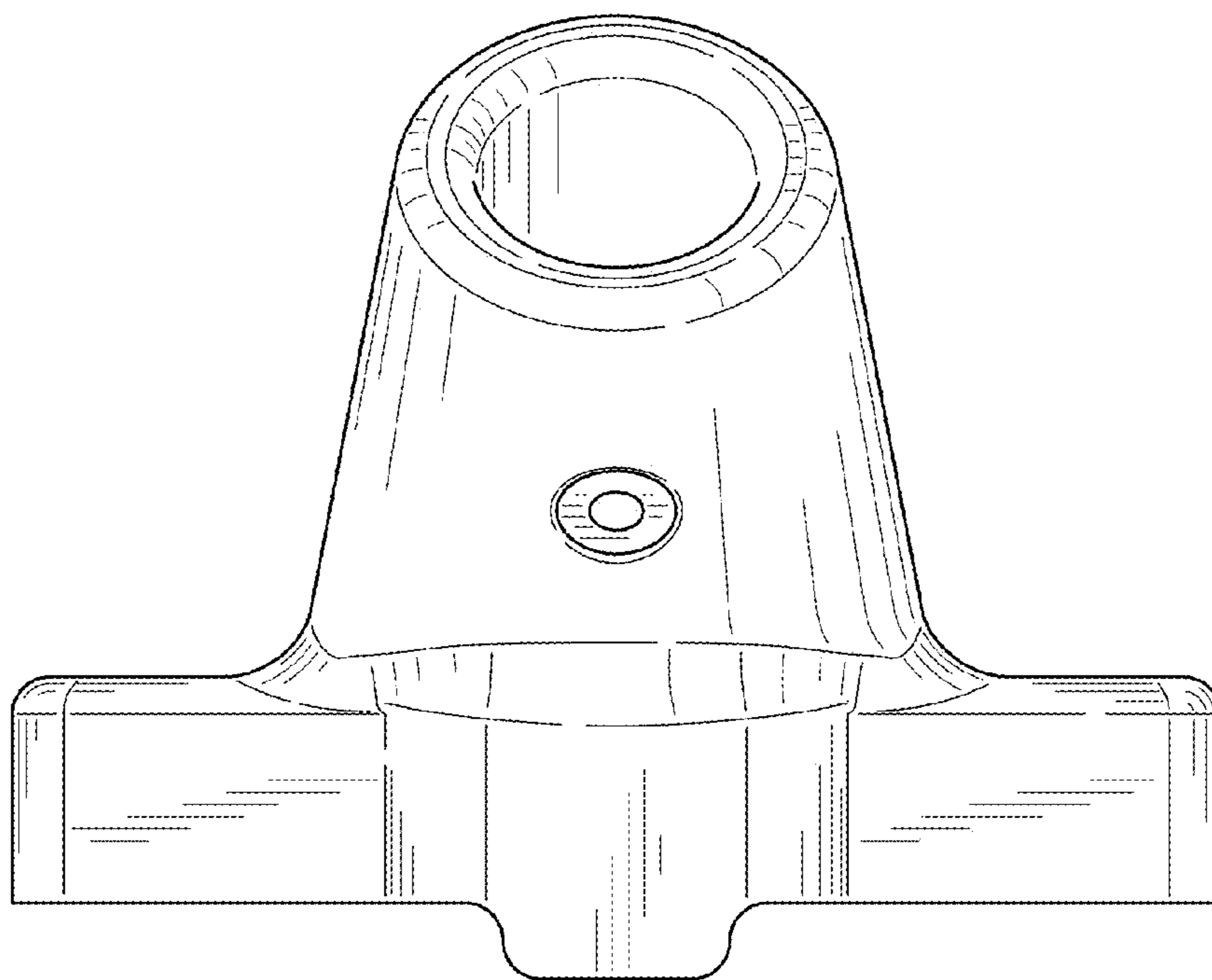


FIG. 2

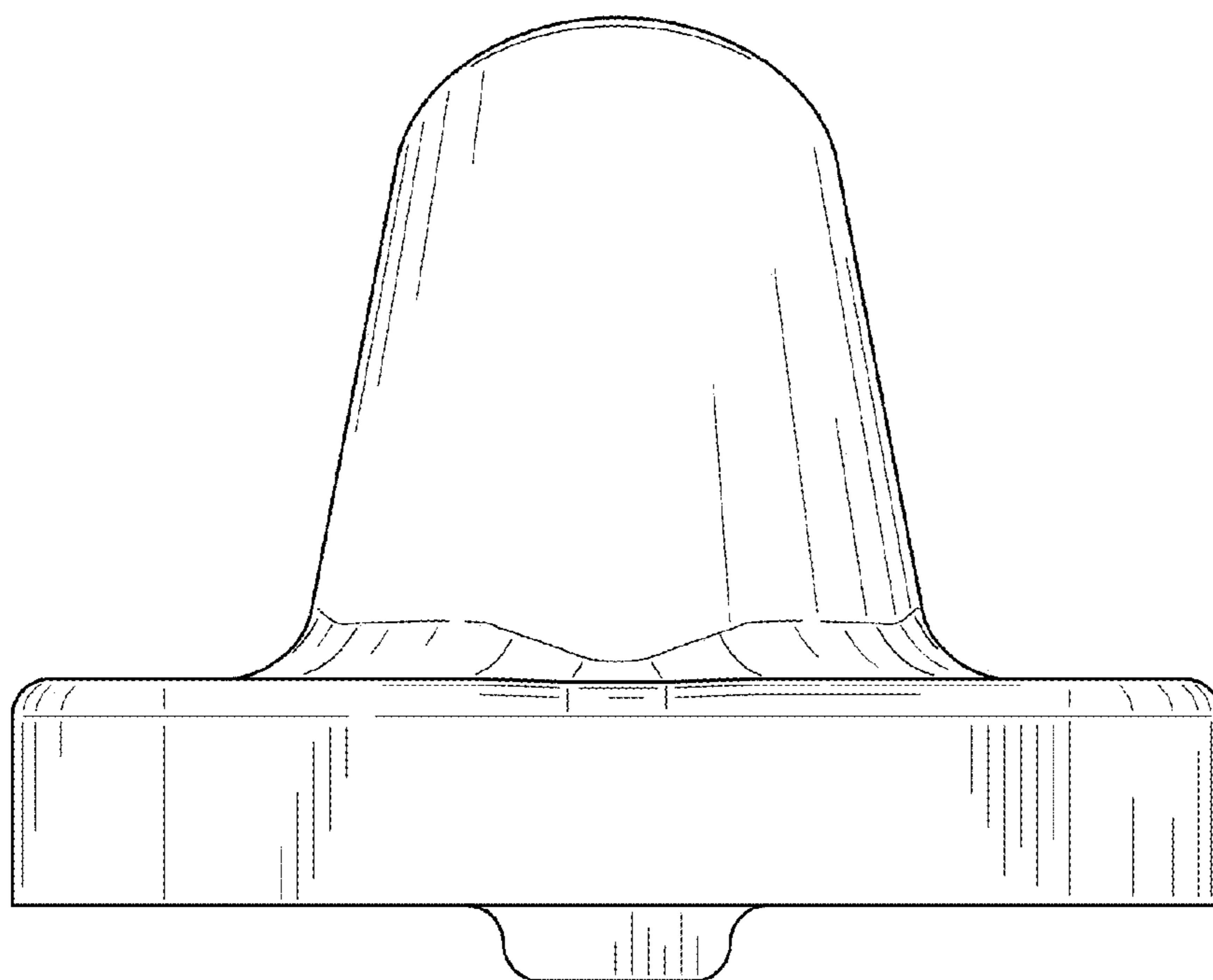


FIG. 3

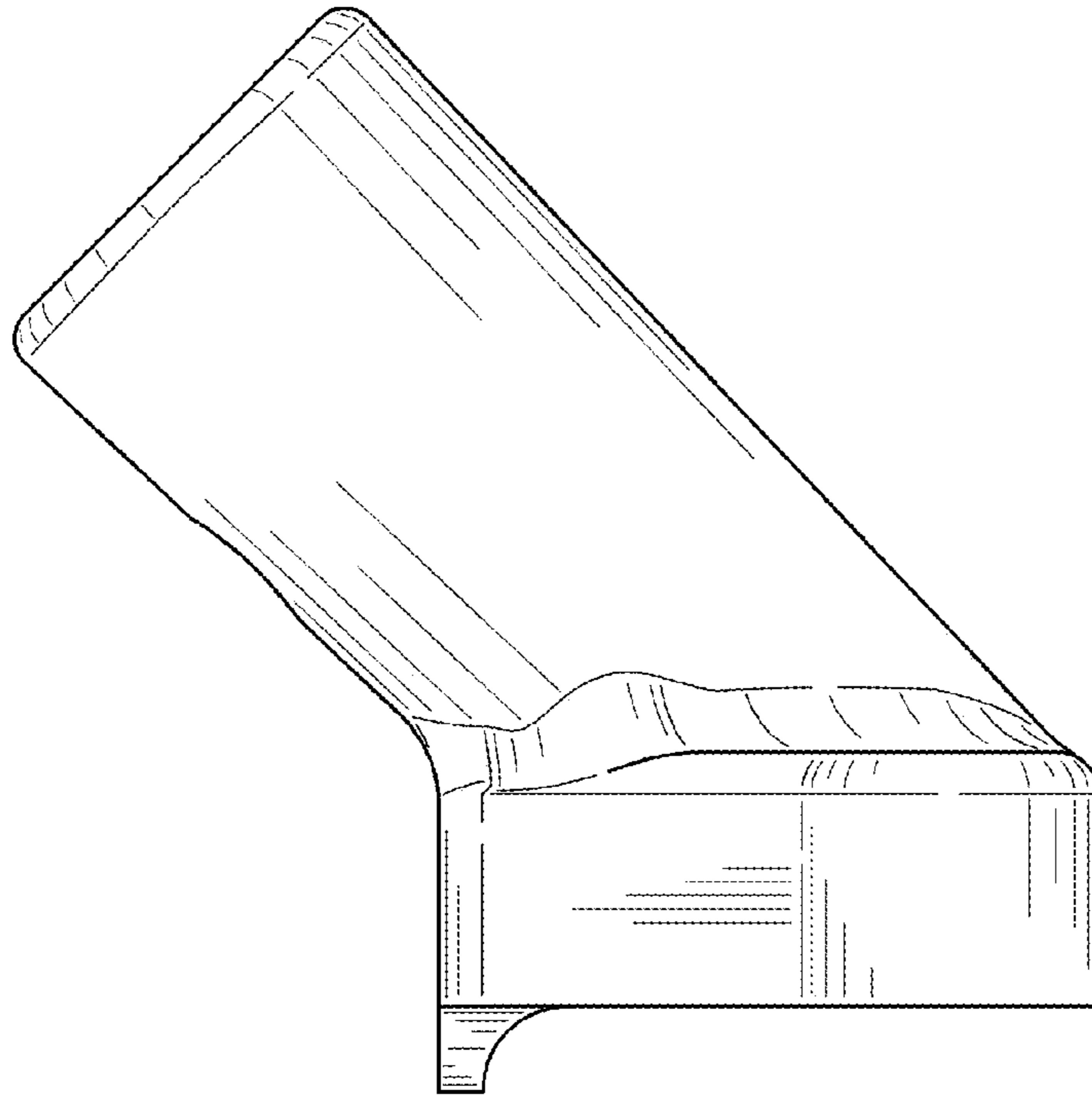


FIG. 4

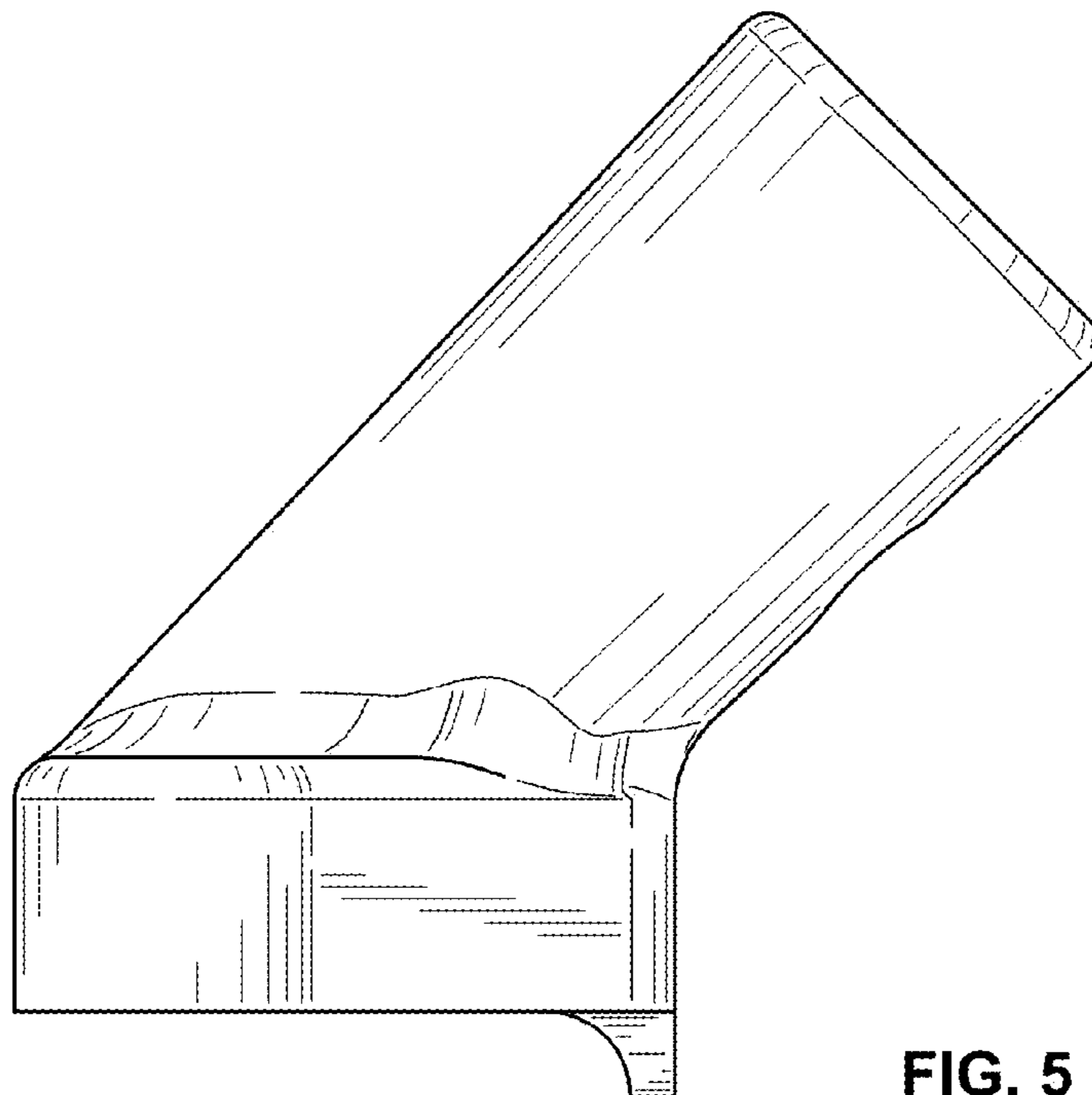


FIG. 5

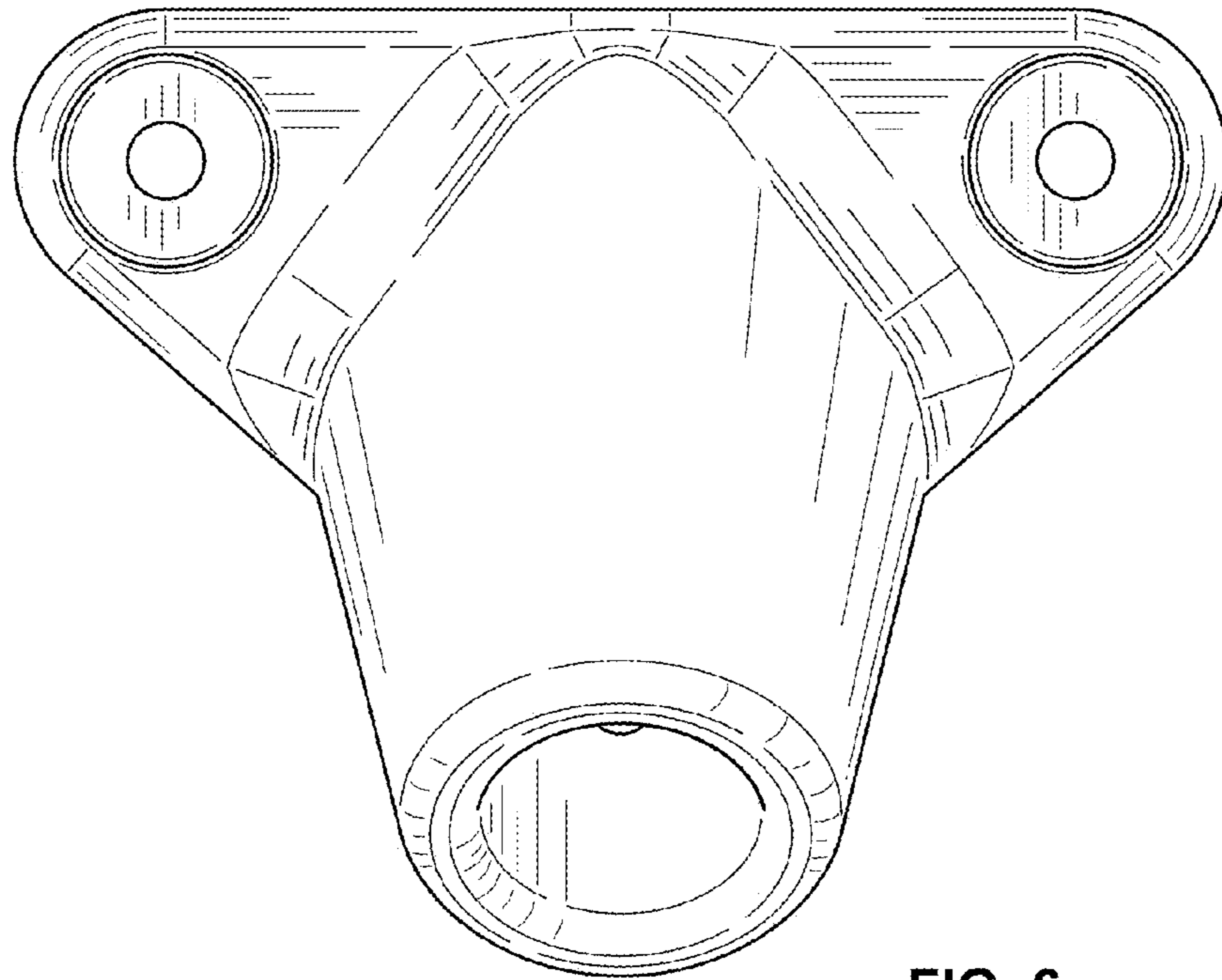


FIG. 6

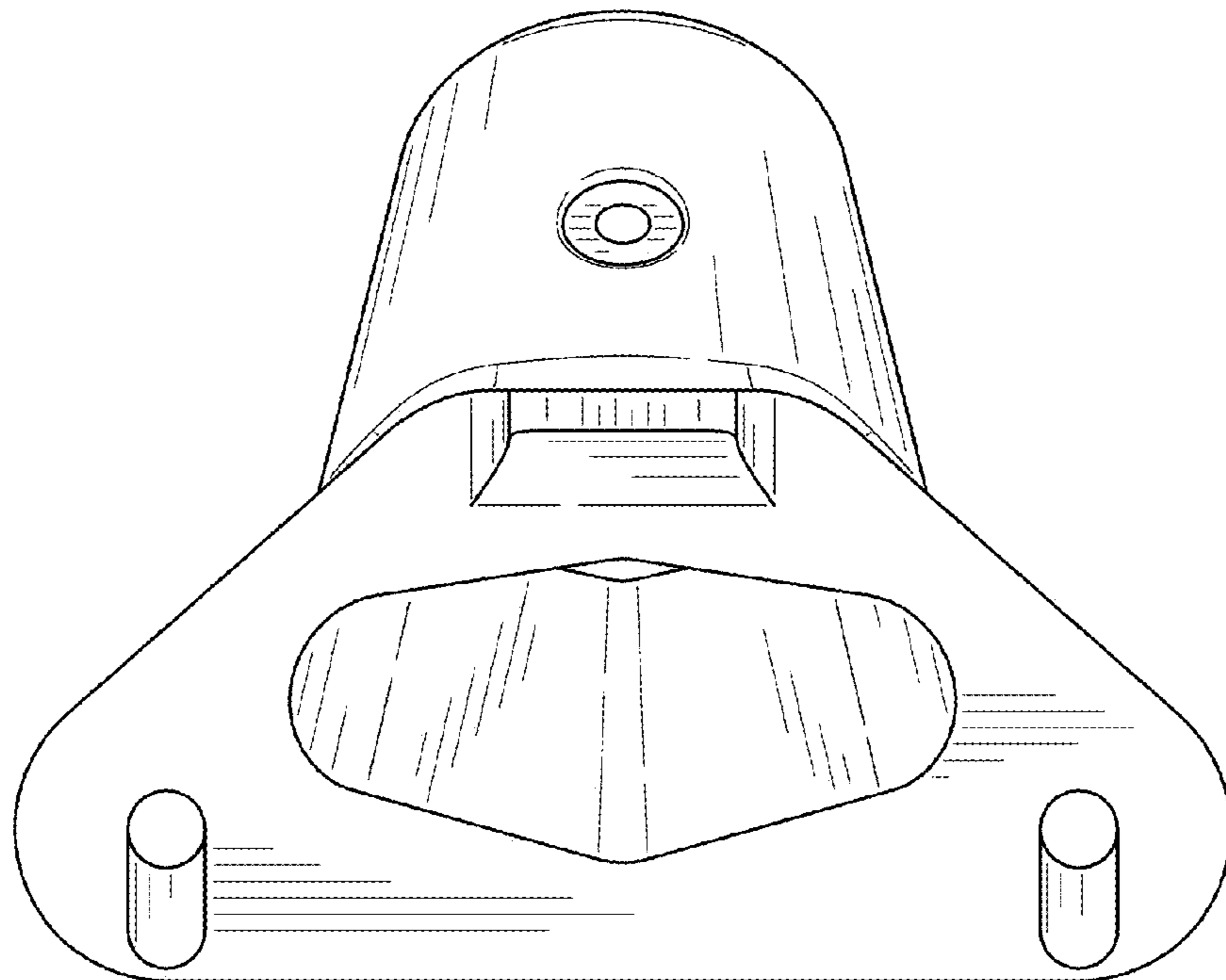


FIG. 7

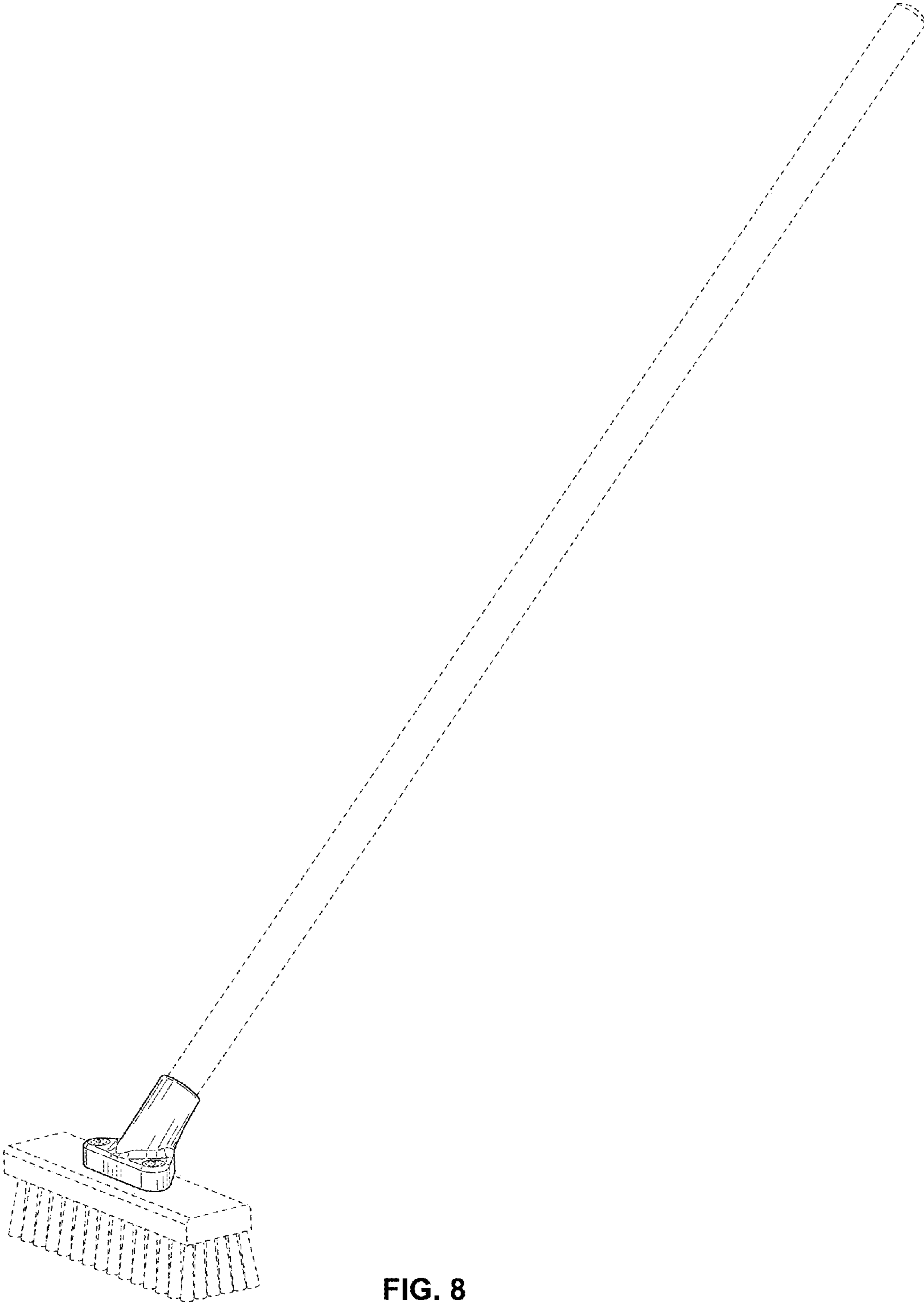


FIG. 8

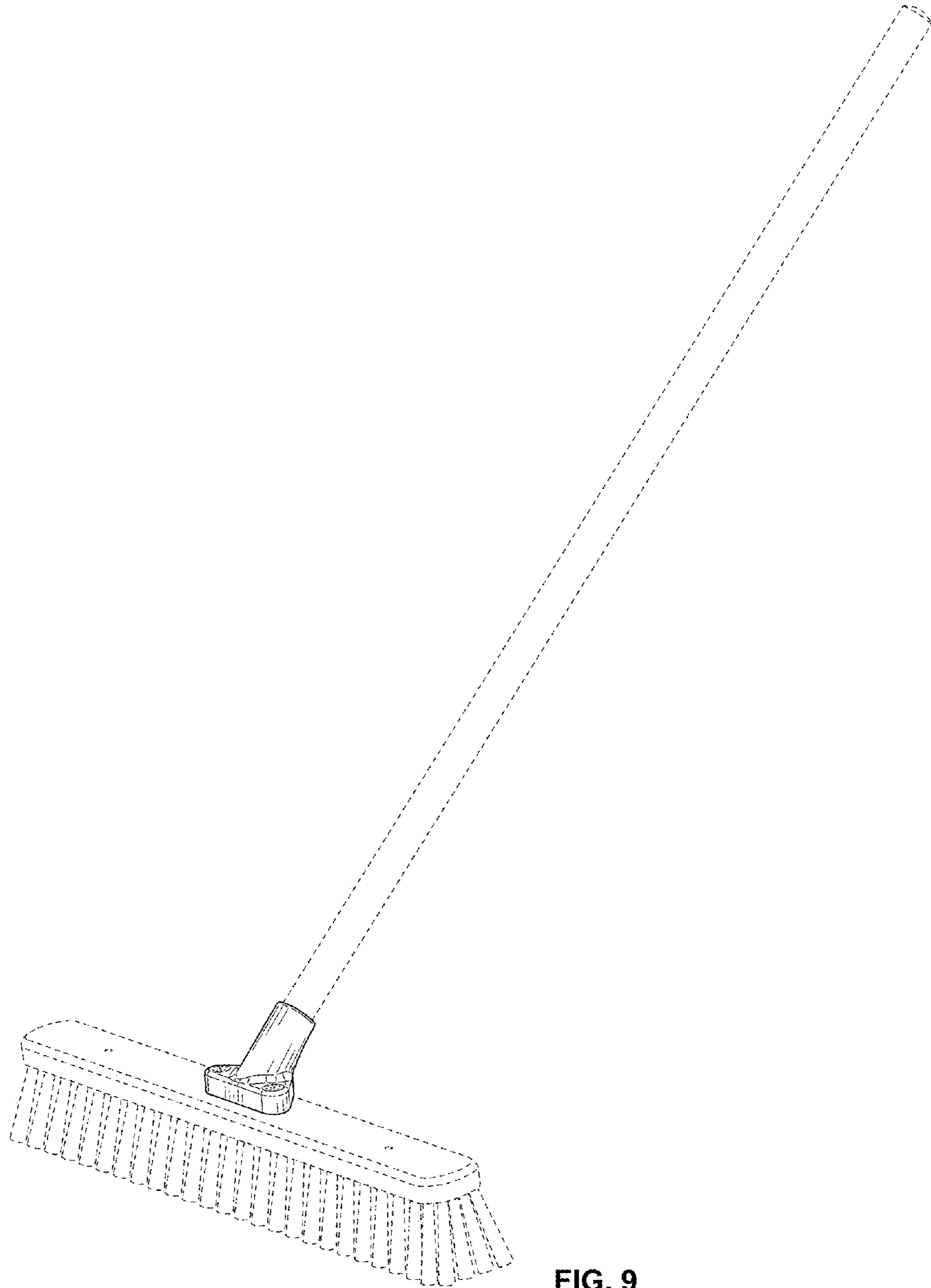


FIG. 9



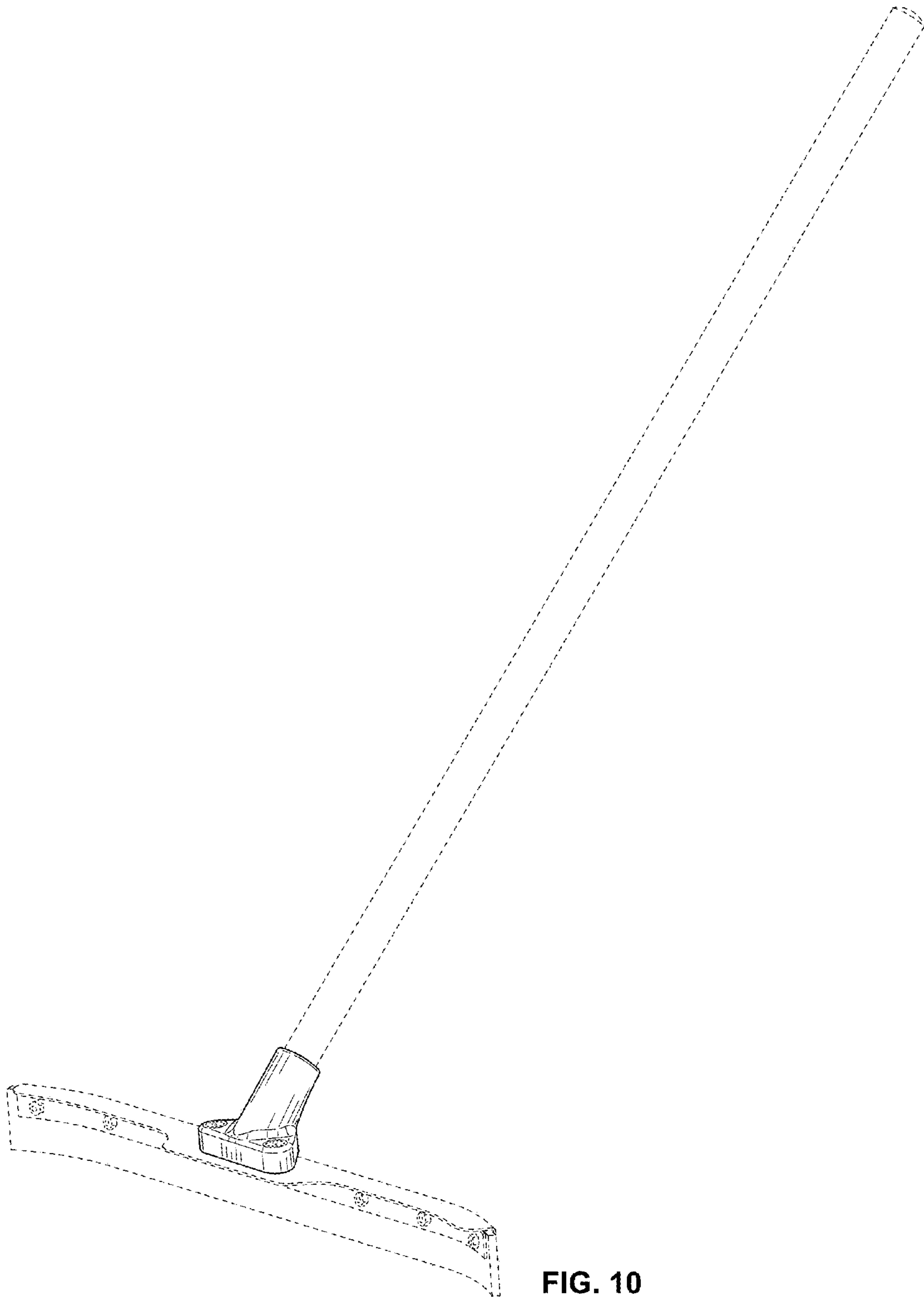


FIG. 10

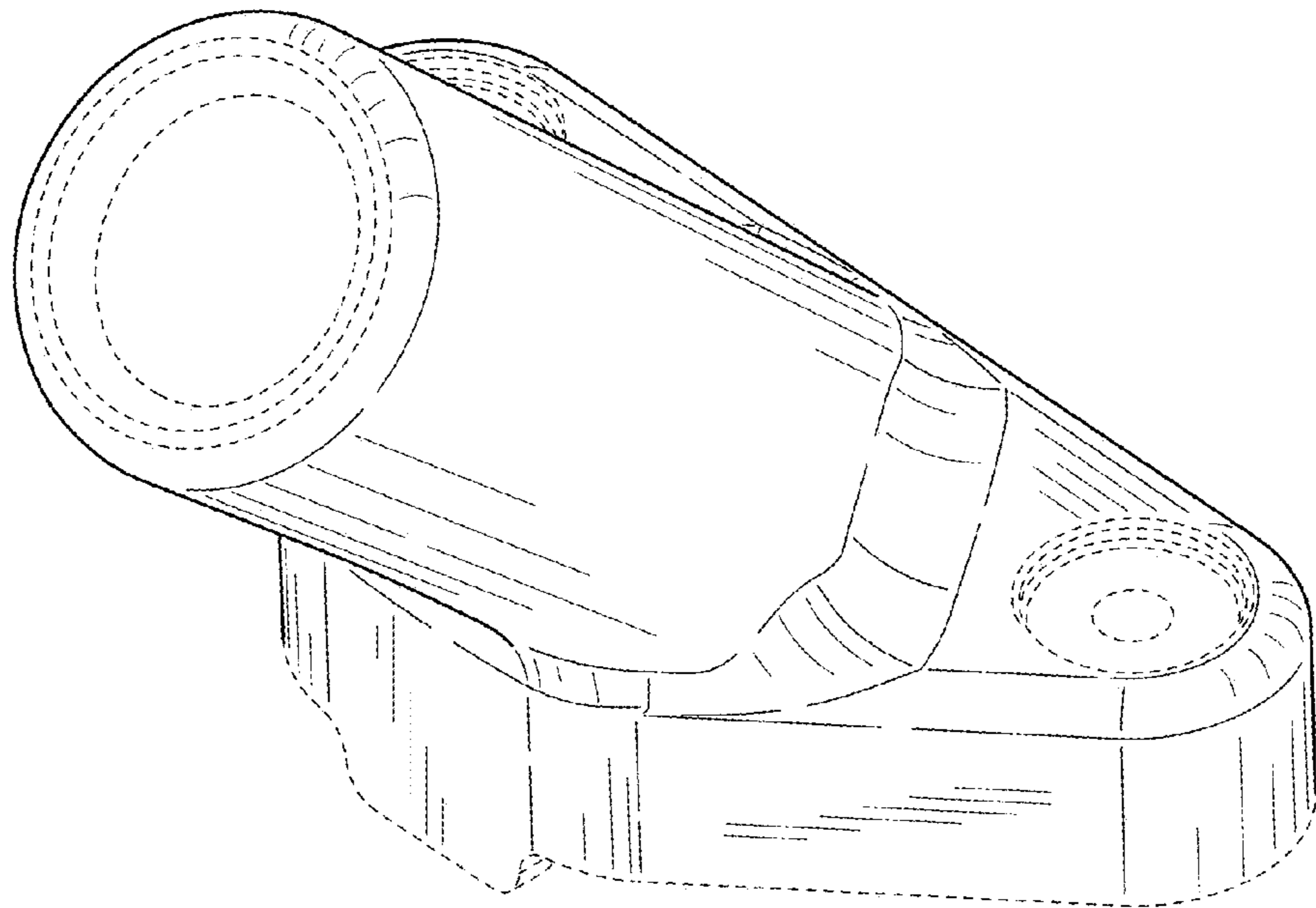


FIG. 11

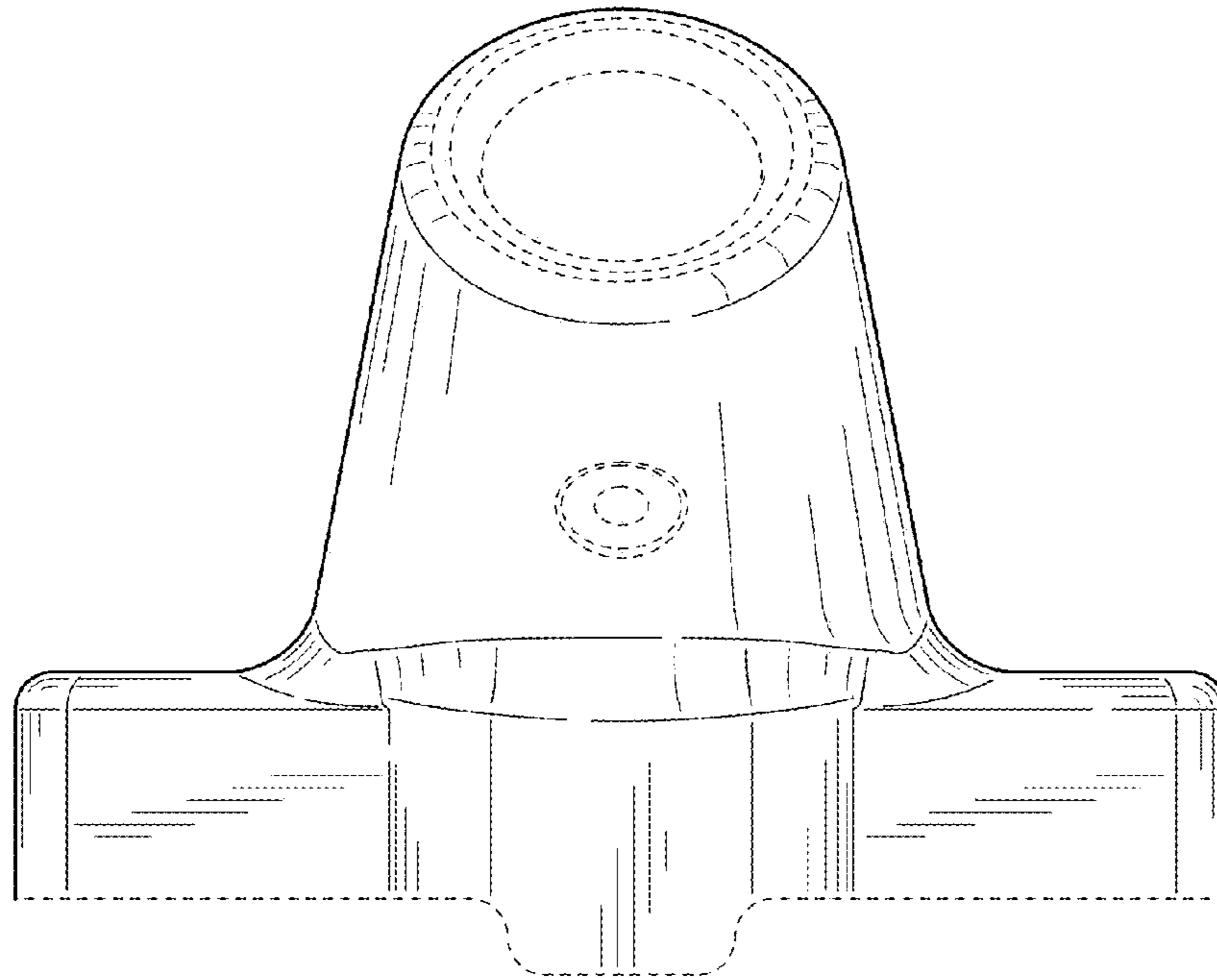


FIG. 12

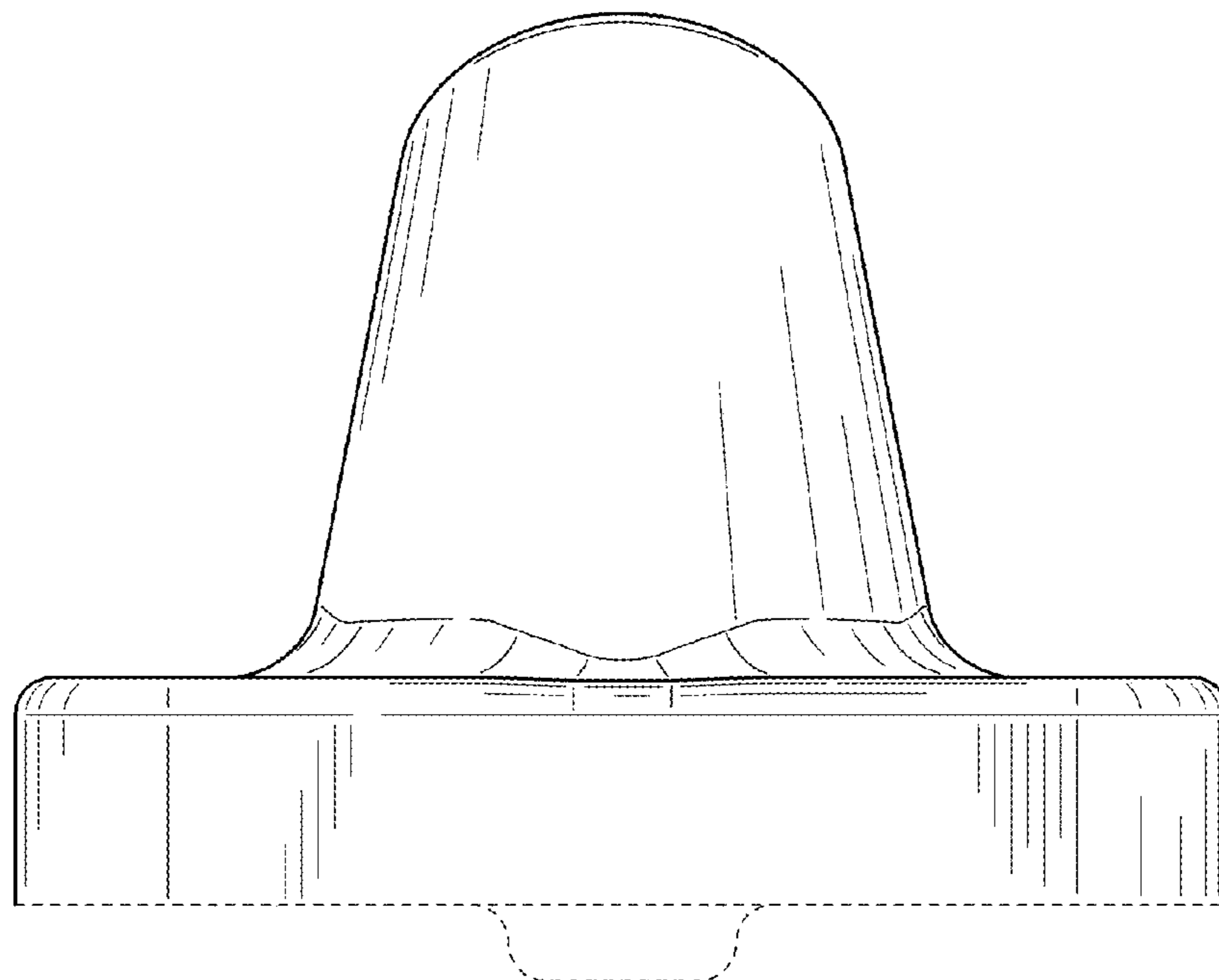


FIG. 13

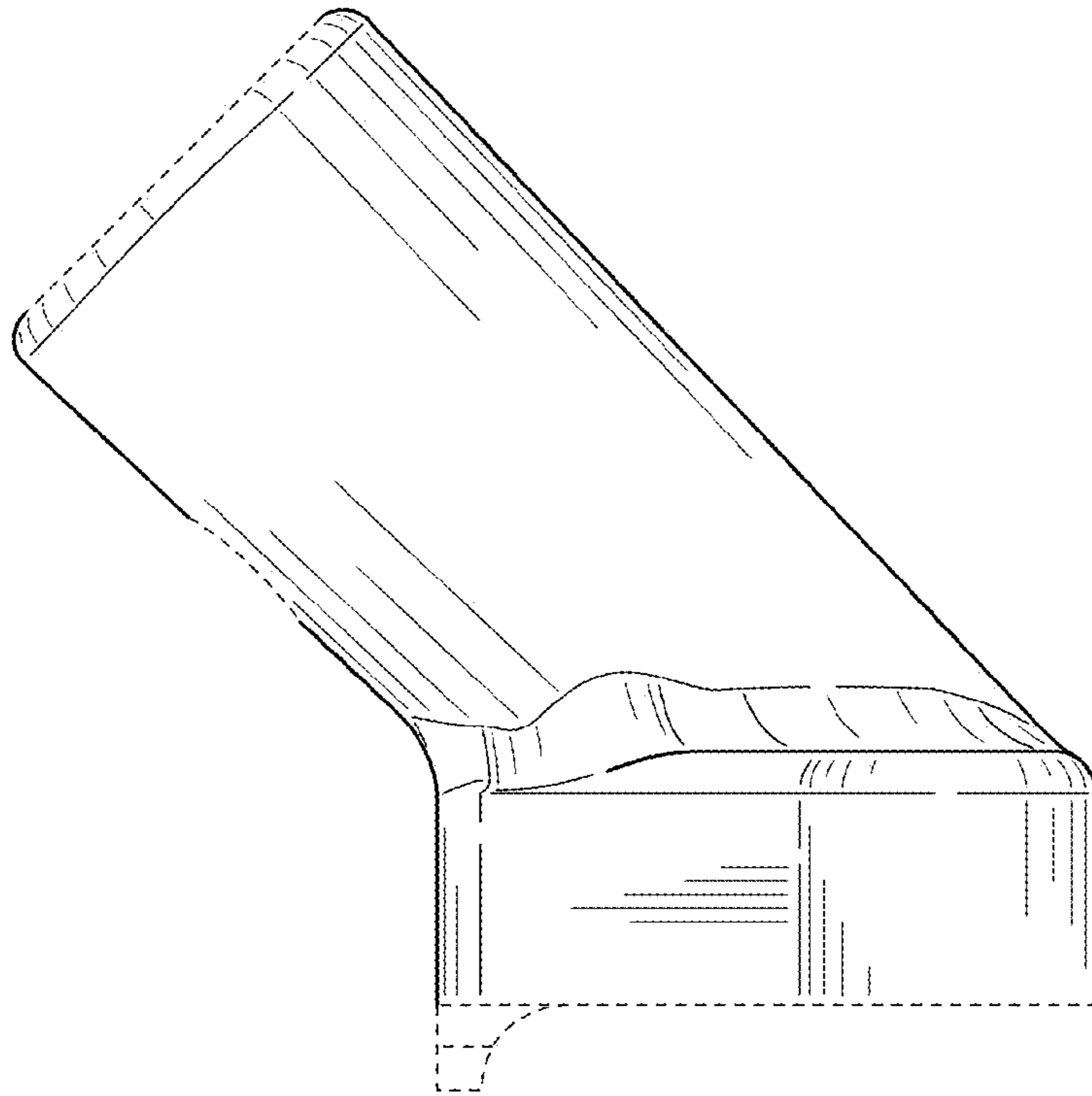


FIG. 14

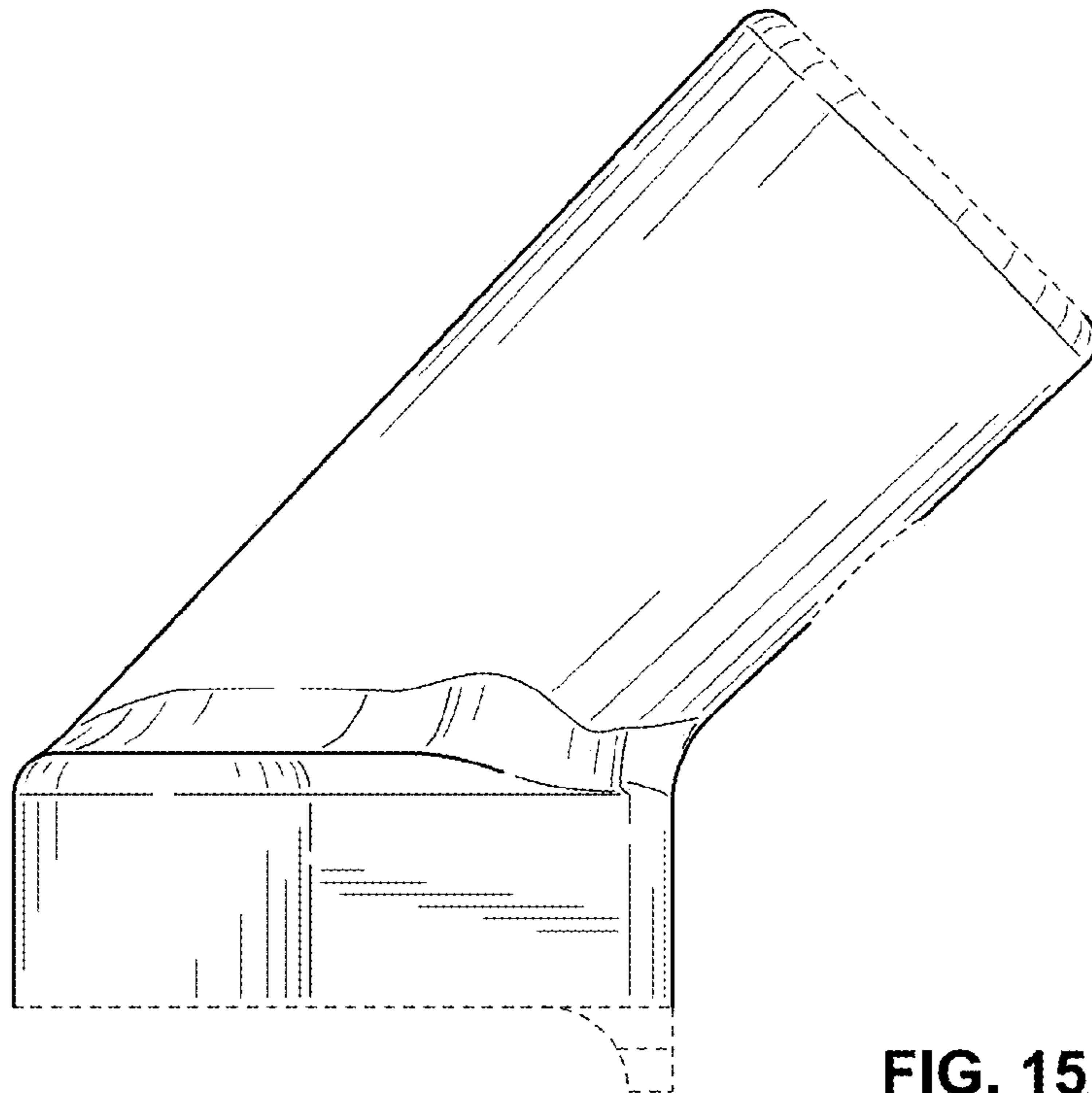


FIG. 15

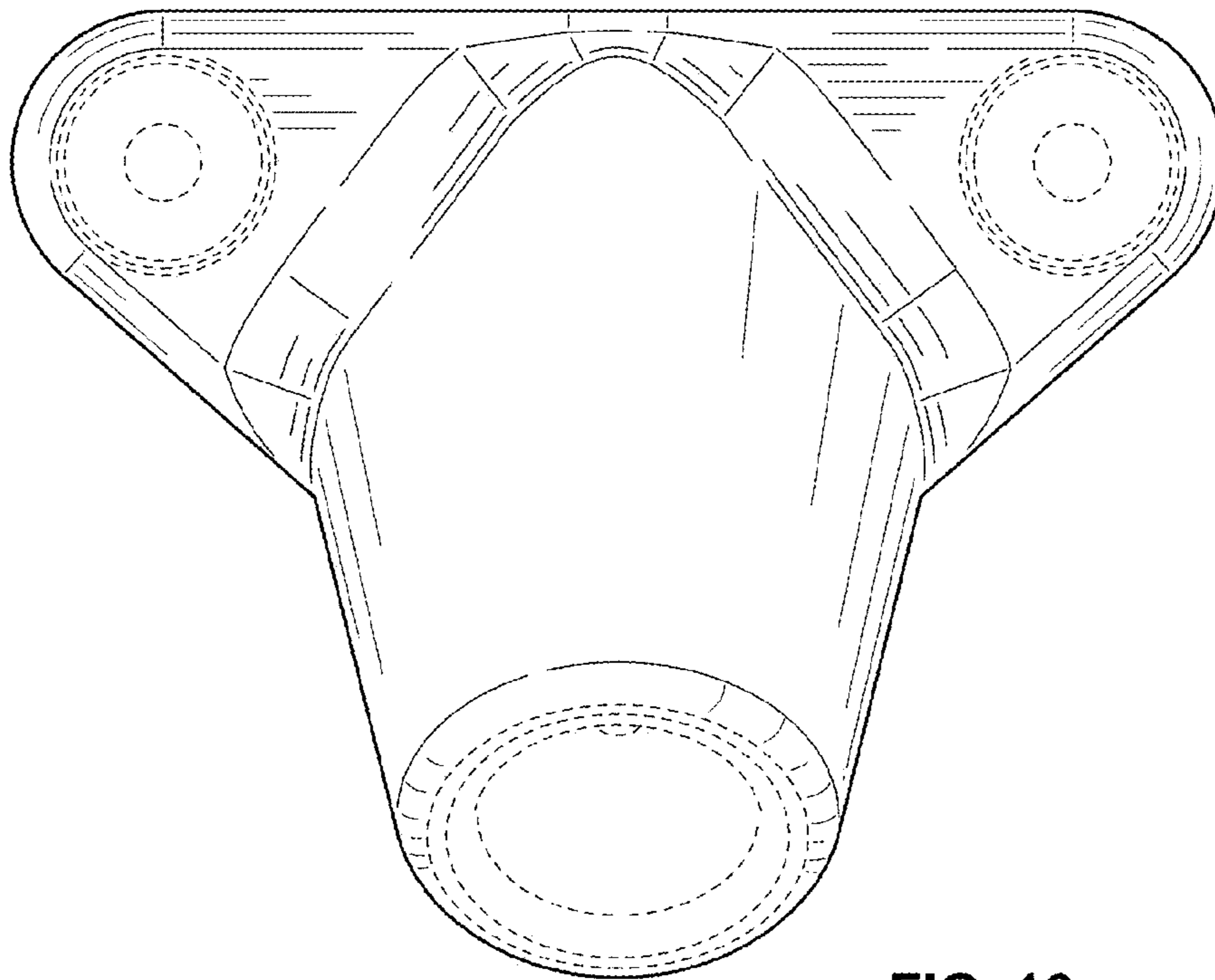


FIG. 16

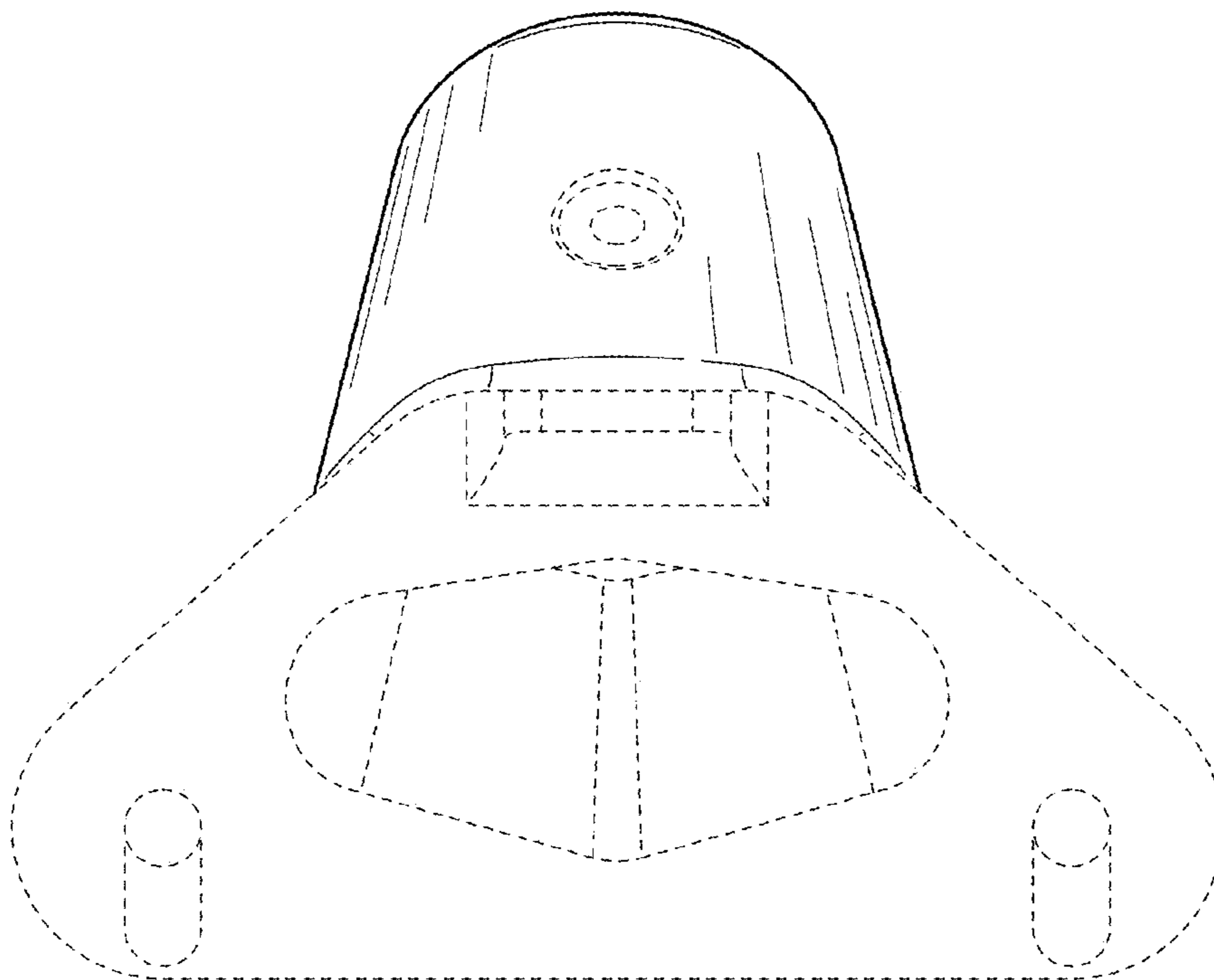


FIG. 17

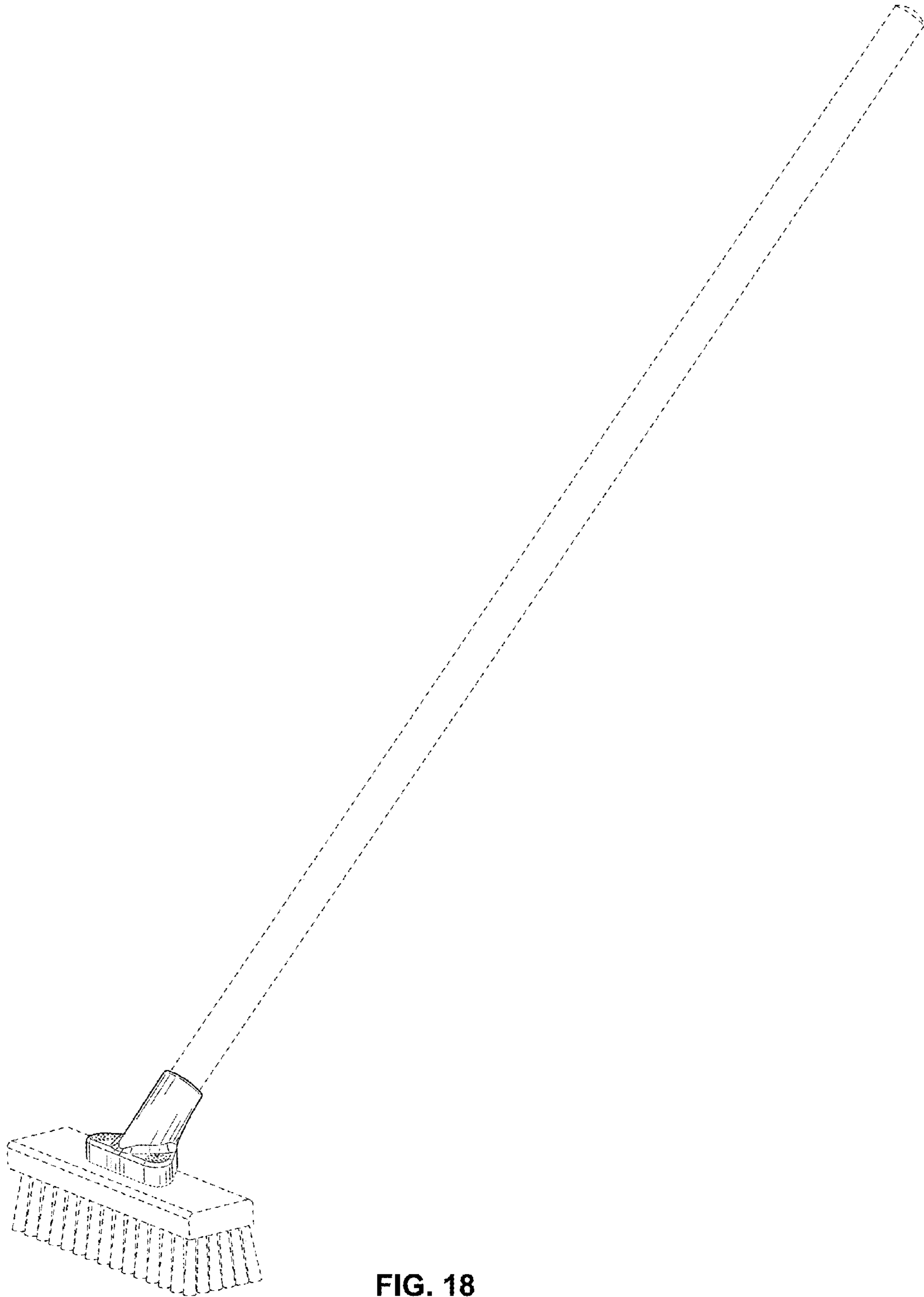


FIG. 18

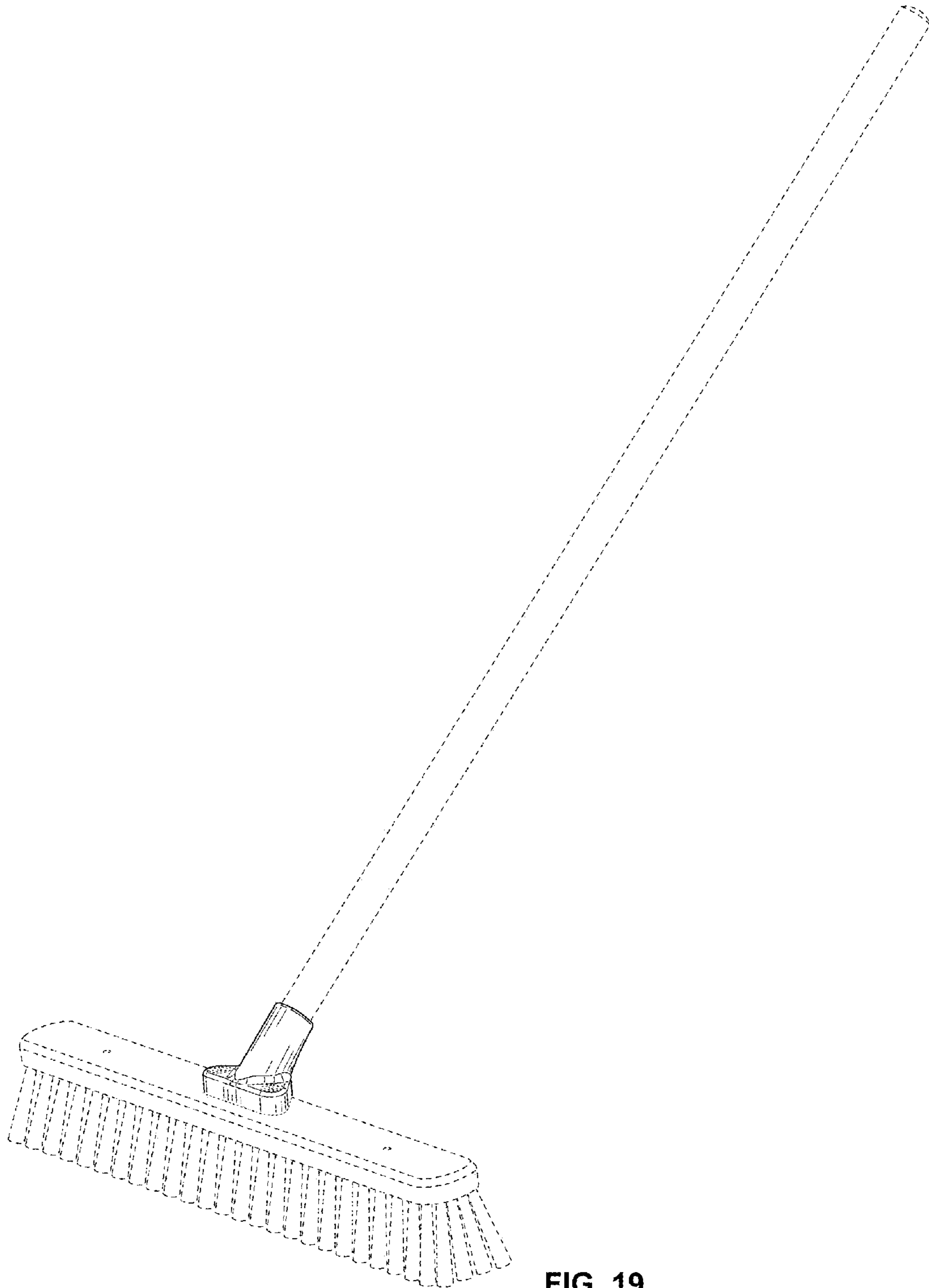


FIG. 19

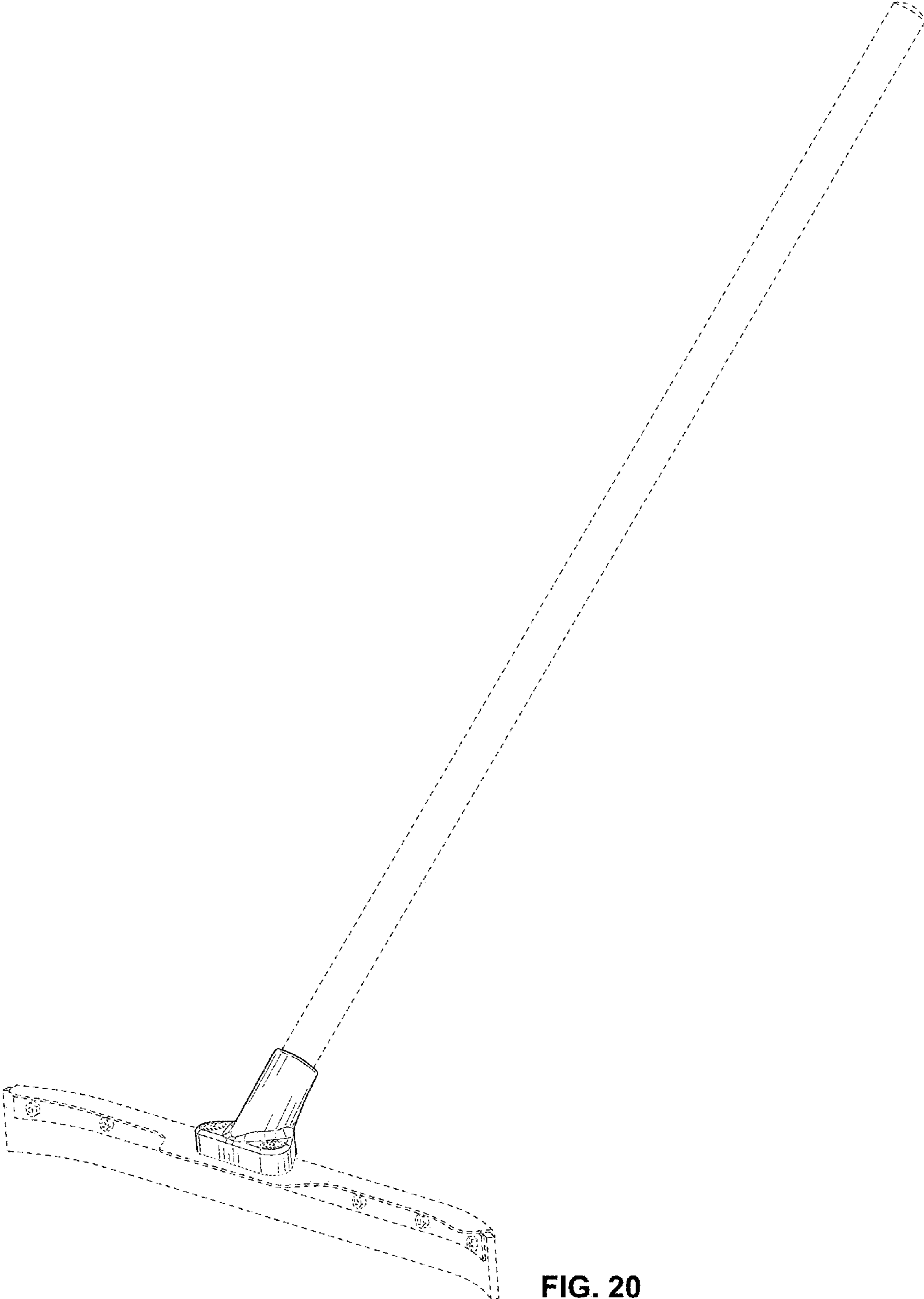


FIG. 20



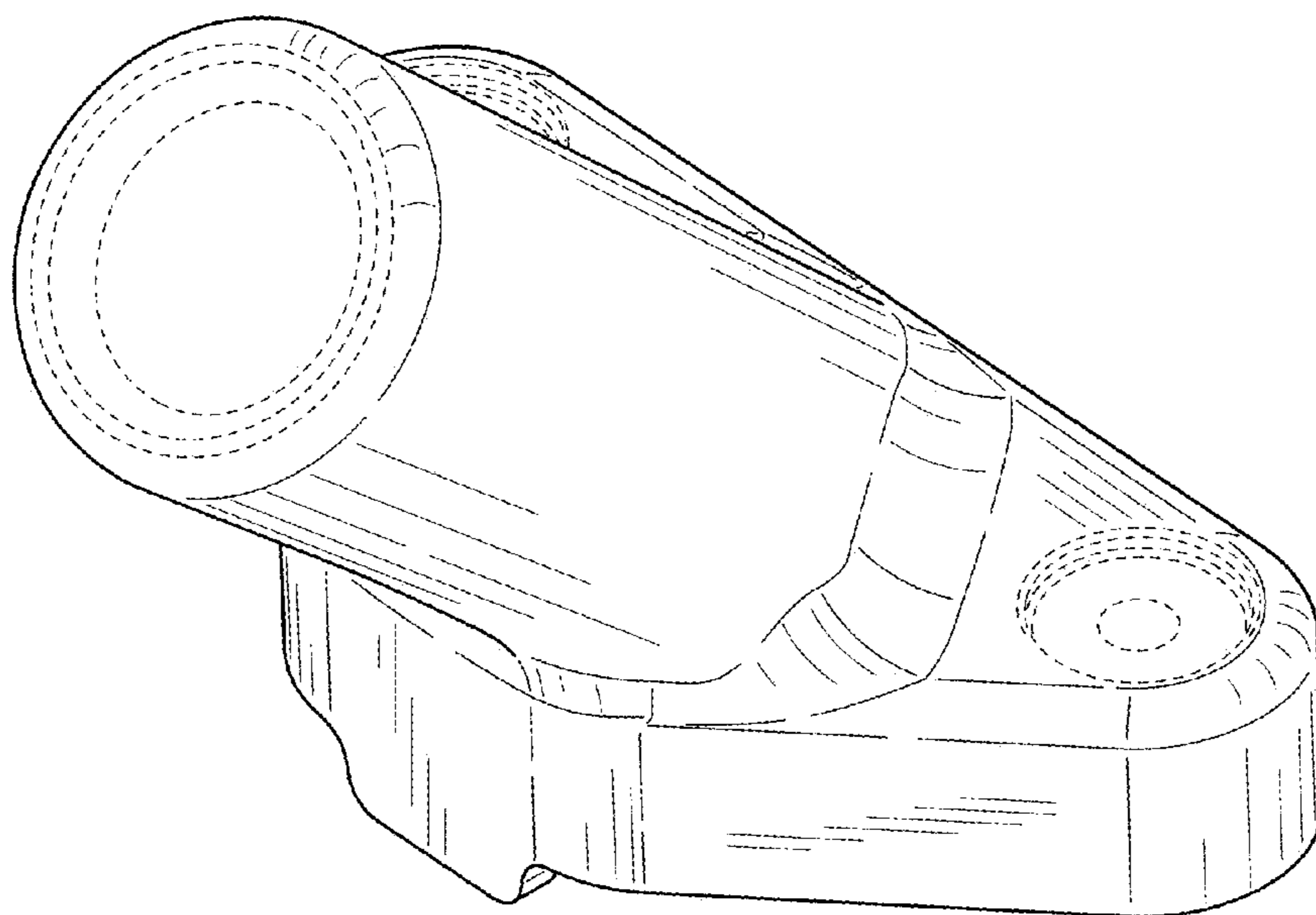


FIG. 21

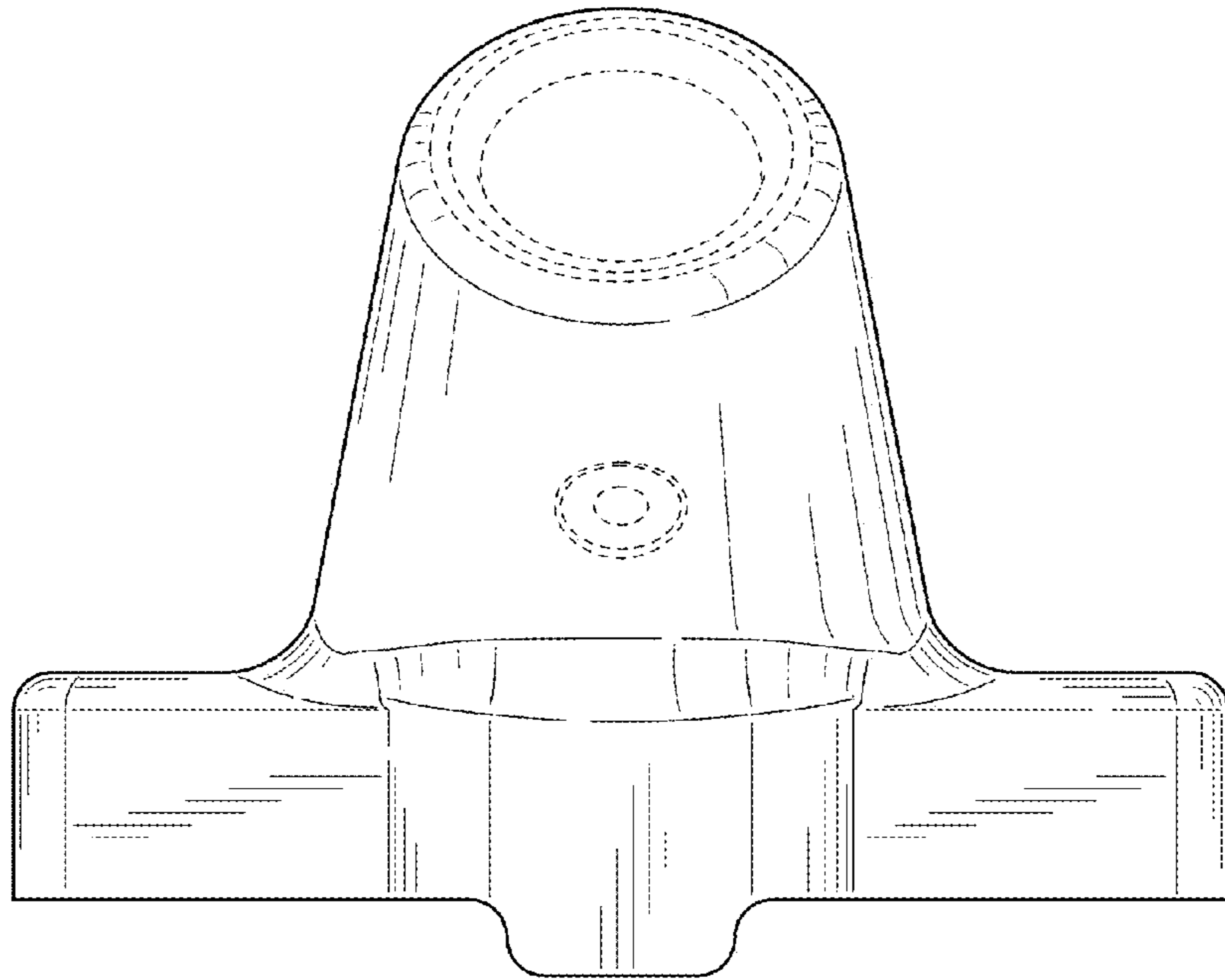


FIG. 22

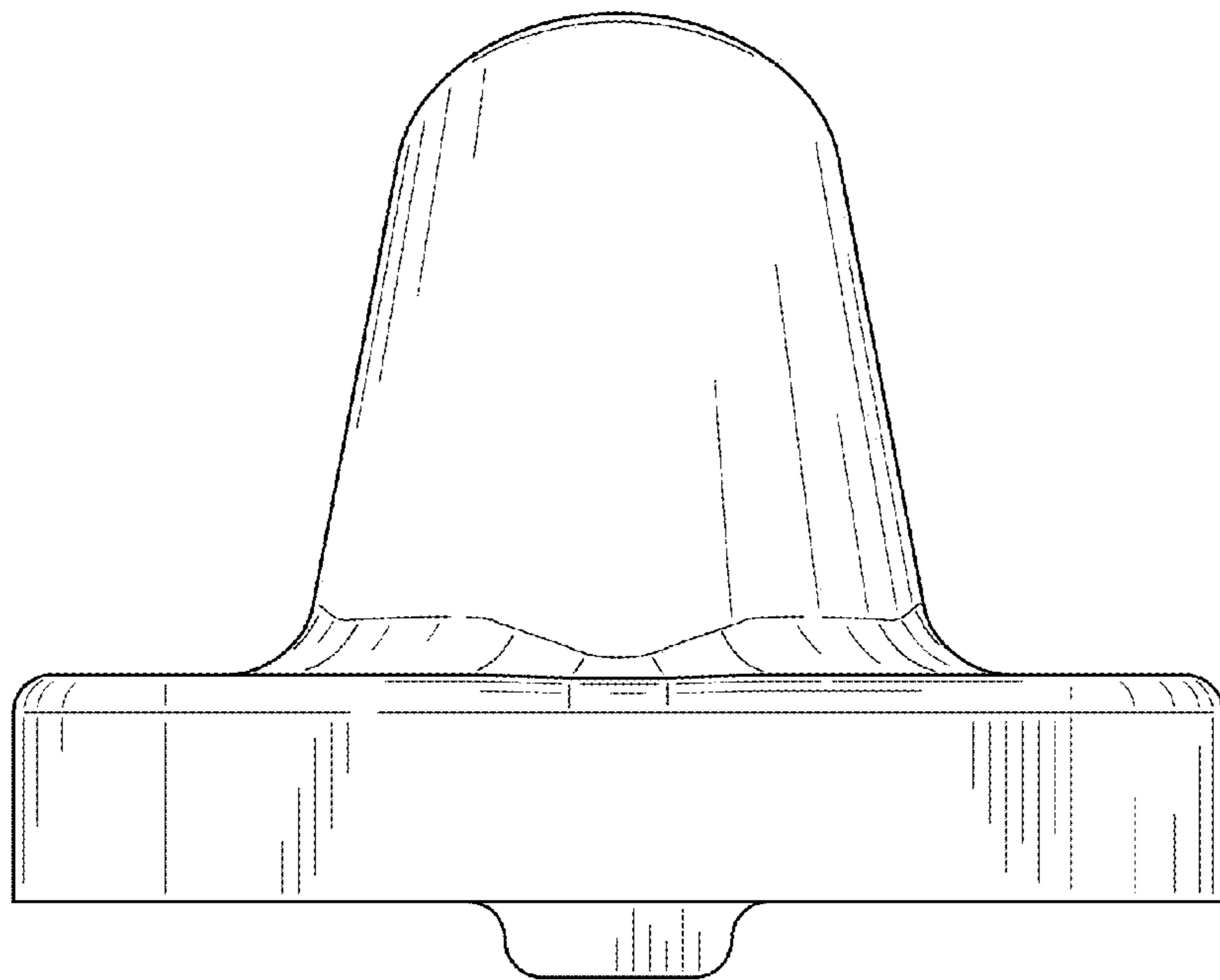


FIG. 23

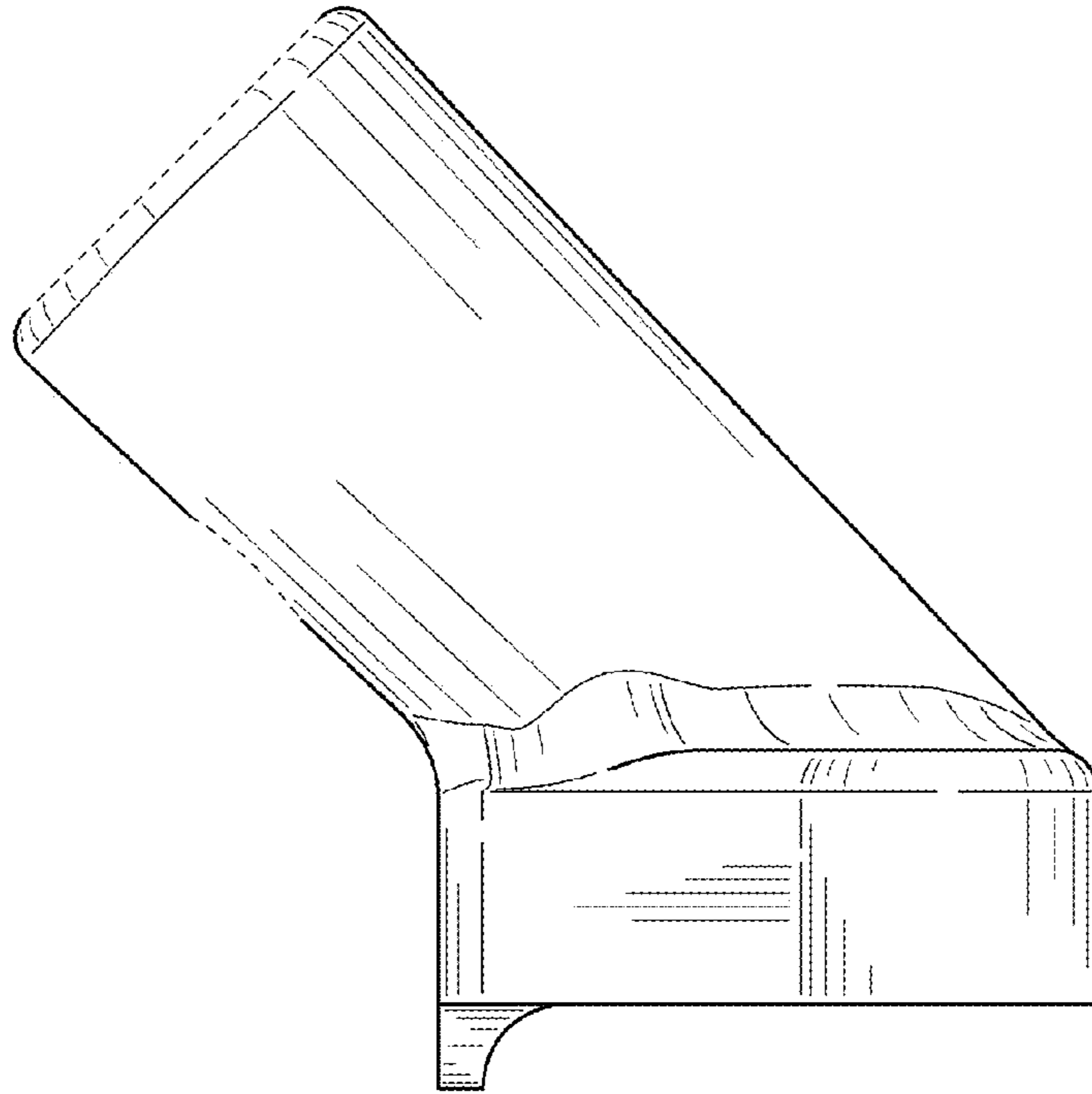


FIG. 24

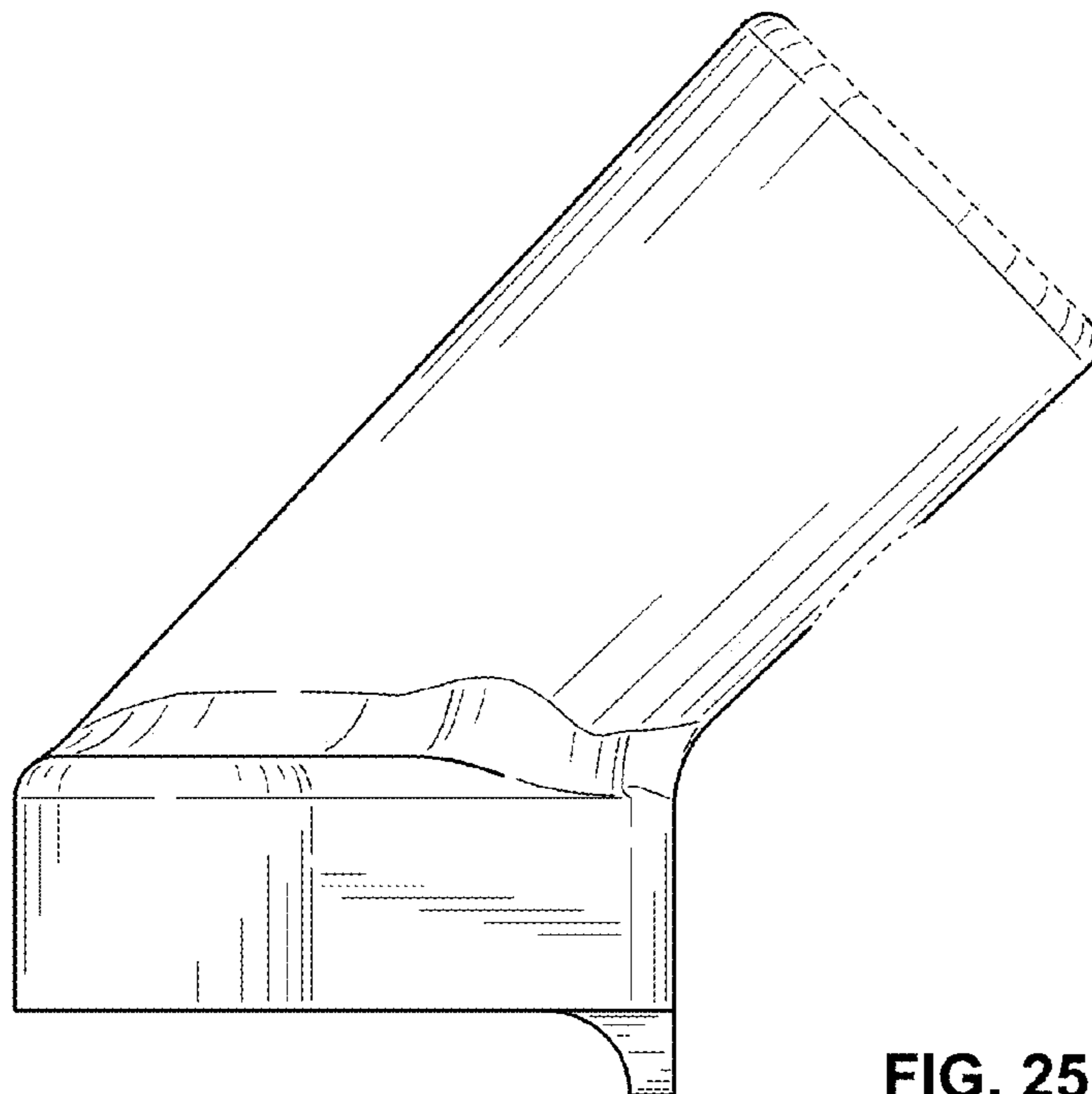


FIG. 25

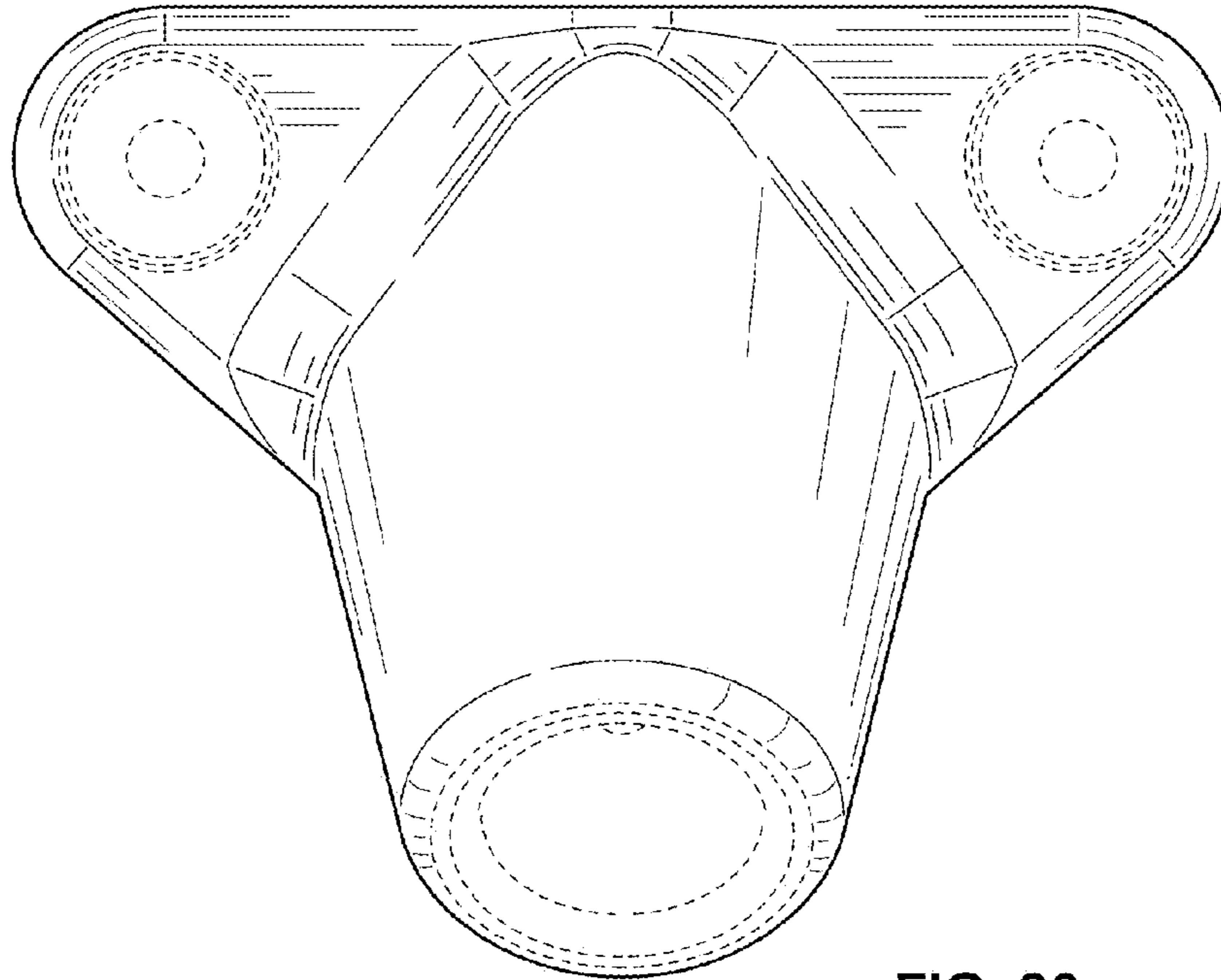


FIG. 26

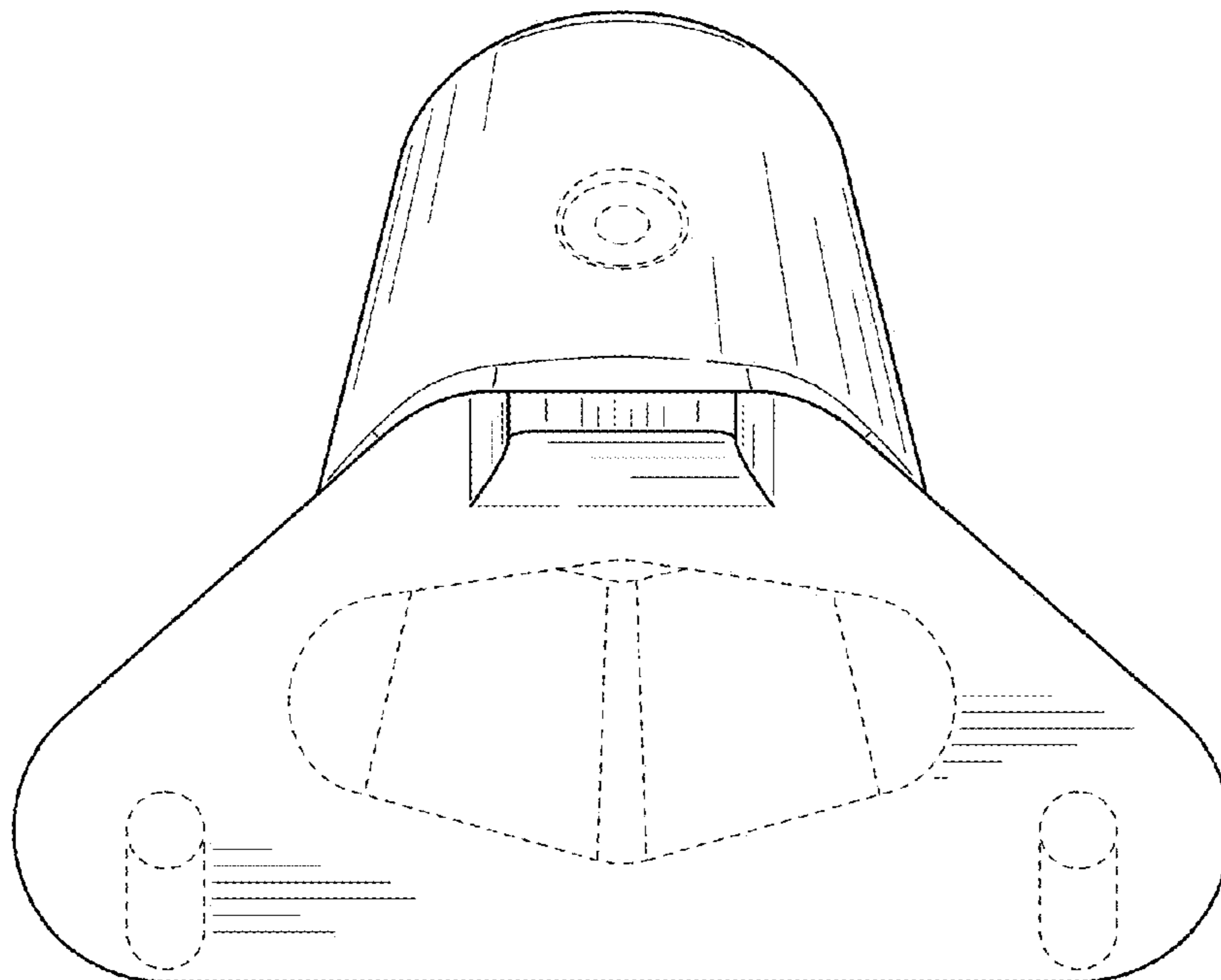


FIG. 27