



US00D752304S

(12) **United States Design Patent**
Blouin et al.

(10) **Patent No.:** **US D752,304 S**
(45) **Date of Patent:** **** Mar. 22, 2016**

- (54) **PUSH BUTTON**
- (71) Applicant: **GARANT GP**, Saint-François (CA)
- (72) Inventors: **Carl Blouin**, Lévis (CA); **David Boies**, Lévis (CA); **François Parenteau**, Quebec (CA); **Johnathan Côté**, Boucherville (CA); **Mathieu Bouchard**, Montreal (CA)
- (73) Assignee: **GARANT GP**, Saint-François (CA)

D487,015	S *	2/2004	Kalbach	D16/339
D538,133	S *	3/2007	Richardson	D8/339
7,237,305	B2 *	7/2007	Newman	B25B 13/48 15/144.4
D559,490	S *	1/2008	Hay	D32/52
7,441,310	B2 *	10/2008	Chen	A45B 9/02 16/430
7,681,285	B2 *	3/2010	Hua	B25G 3/26 16/422
D645,255	S *	9/2011	Schouten	D4/114
D649,862	S *	12/2011	Arvinte	D8/339
D664,418	S *	7/2012	Blouin	D8/107

(**) Term: **14 Years**

(21) Appl. No.: **29/517,703**

(22) Filed: **Feb. 16, 2015**

(51) **LOC (10) Cl.** **08-05**

(52) **U.S. Cl.**
USPC **D32/46**

(58) **Field of Classification Search**
USPC D32/46, 49, 42; D8/14, 45, 46, 47, 105,
D8/98, 90, 101; D4/138, 199
CPC B25G 3/26; B25G 1/04; B25B 13/48;
A45B 9/02; B05C 17/0205
See application file for complete search history.

FOREIGN PATENT DOCUMENTS

CA	96358	5/2002
CA	134797	10/2010

* cited by examiner

Primary Examiner — T. Chase Nelson

Assistant Examiner — Michelle E Wilson

(74) *Attorney, Agent, or Firm* — Goudreau Gage Dubuc;
Gwendoline Bruneau

(57) **CLAIM**

The ornamental design for a push button, as shown and described.

DESCRIPTION

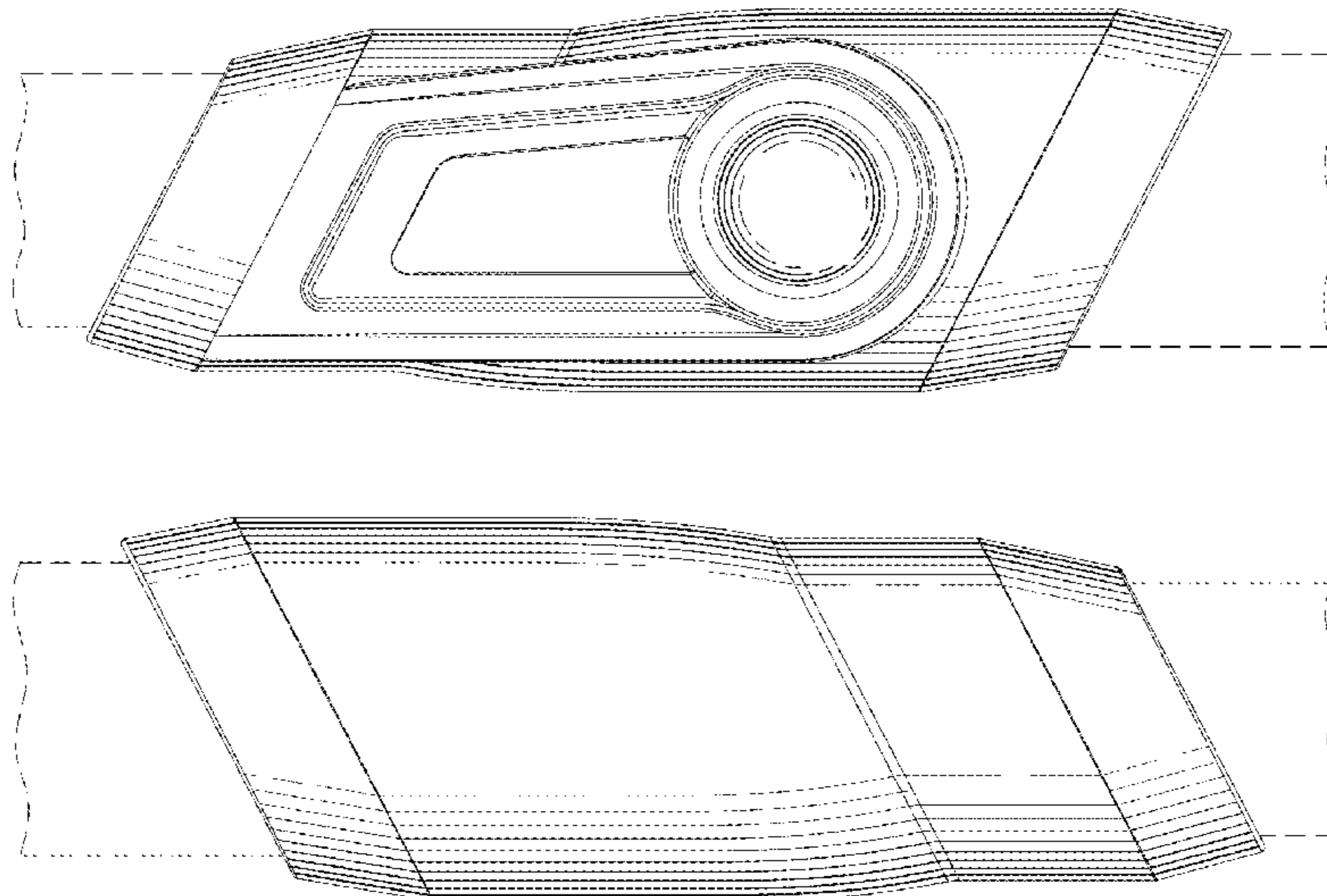
FIG. 1 is perspective view of the push button;
FIG. 2 is a front view of the push button;
FIG. 3 is a back view of the push button;
FIG. 4 is a first side view of the push button;
FIG. 5 is a second side view of the push button;
FIG. 6 is a top view of the push button; and,
FIG. 7 is a bottom view of the push button.
The broken line is included for the purpose of illustrating environmental structure and forms no part of the claimed design.

1 Claim, 4 Drawing Sheets

(56) **References Cited**

U.S. PATENT DOCUMENTS

2,190,081	A *	2/1940	Pfauser	B25B 23/0035 403/328
5,220,707	A *	6/1993	Newman, Sr.	B05C 17/0205 15/144.4
5,983,455	A *	11/1999	Polzin	B05C 17/0205 15/144.4
D452,777	S	1/2002	Newman et al.		
6,530,124	B2 *	3/2003	Newman	B25G 1/04 15/230.11
6,532,630	B1 *	3/2003	Newman	B25G 1/04 15/230.11



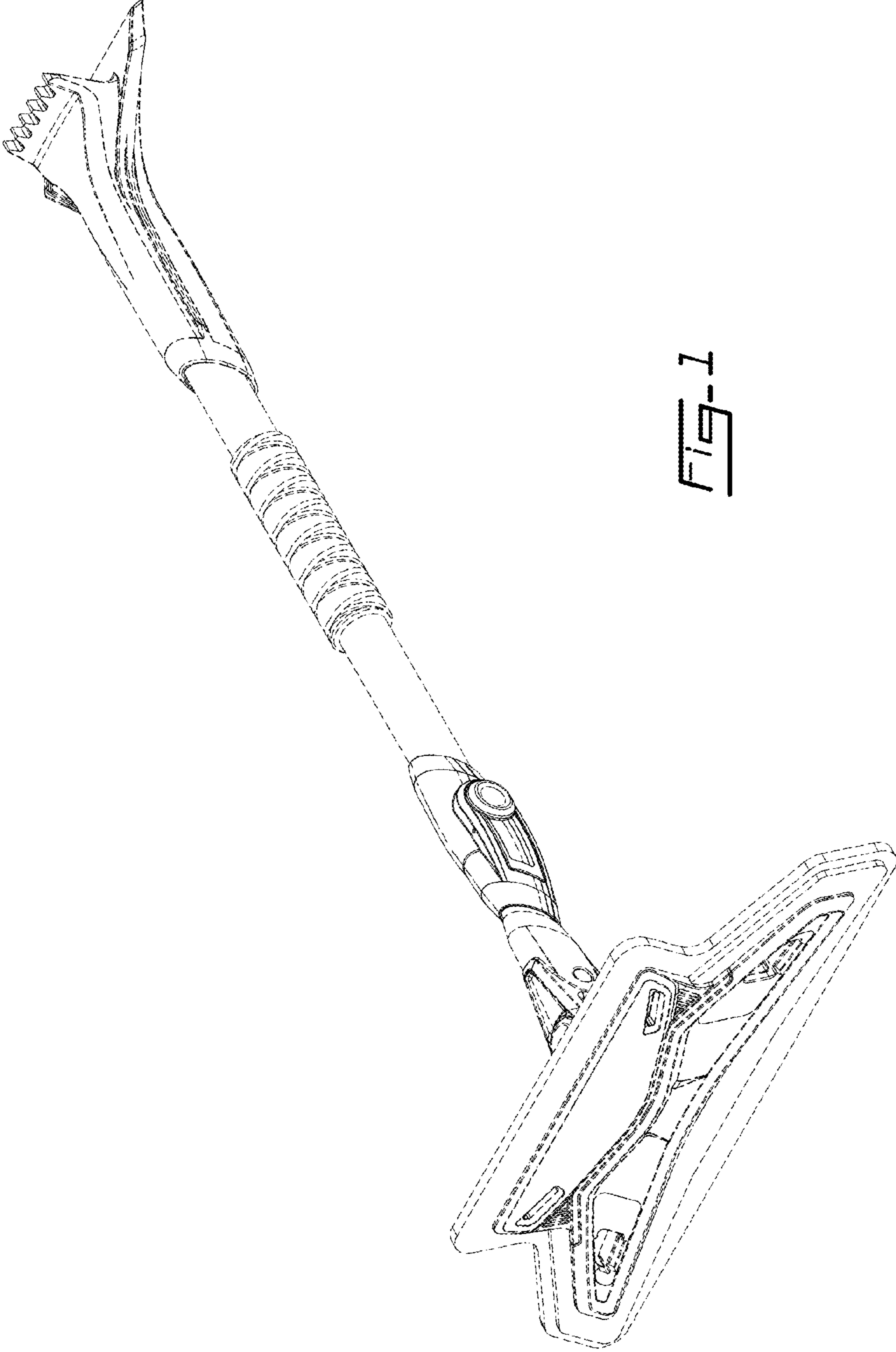


FIG-1

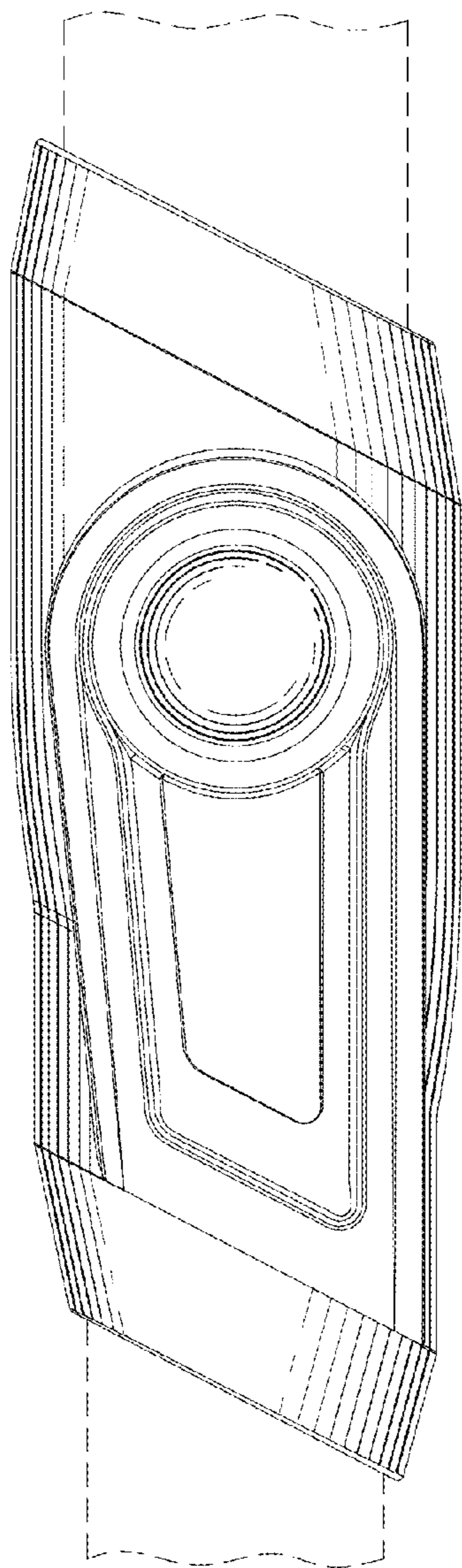


FIG-2

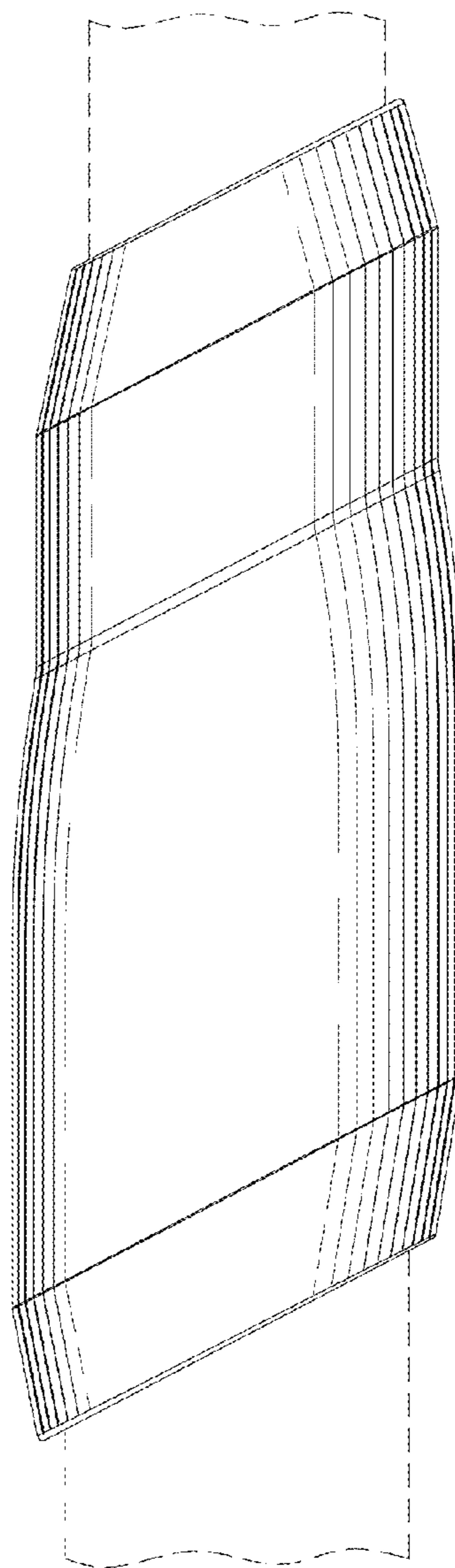


FIG-3

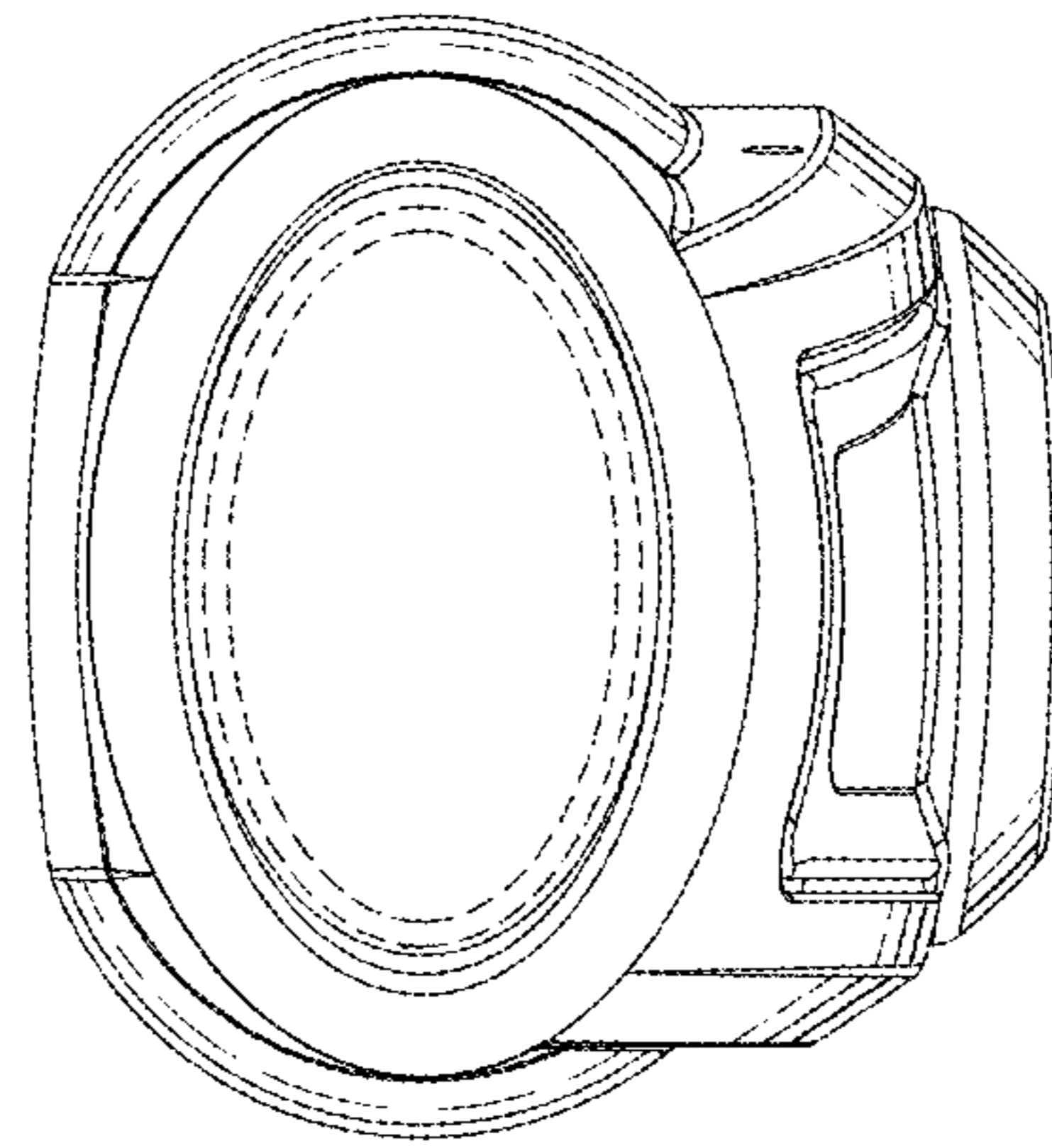


Fig-4

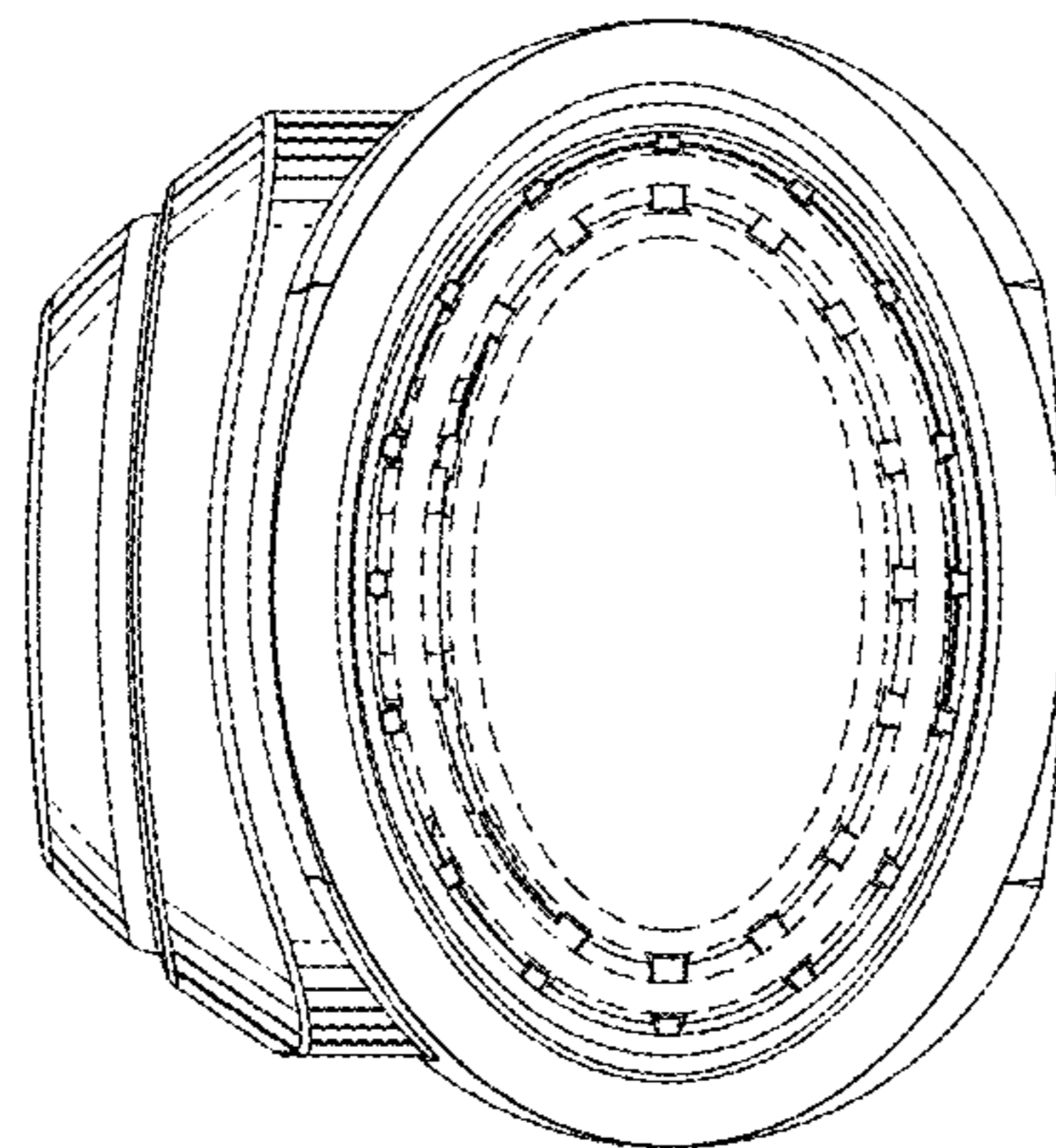


Fig-5

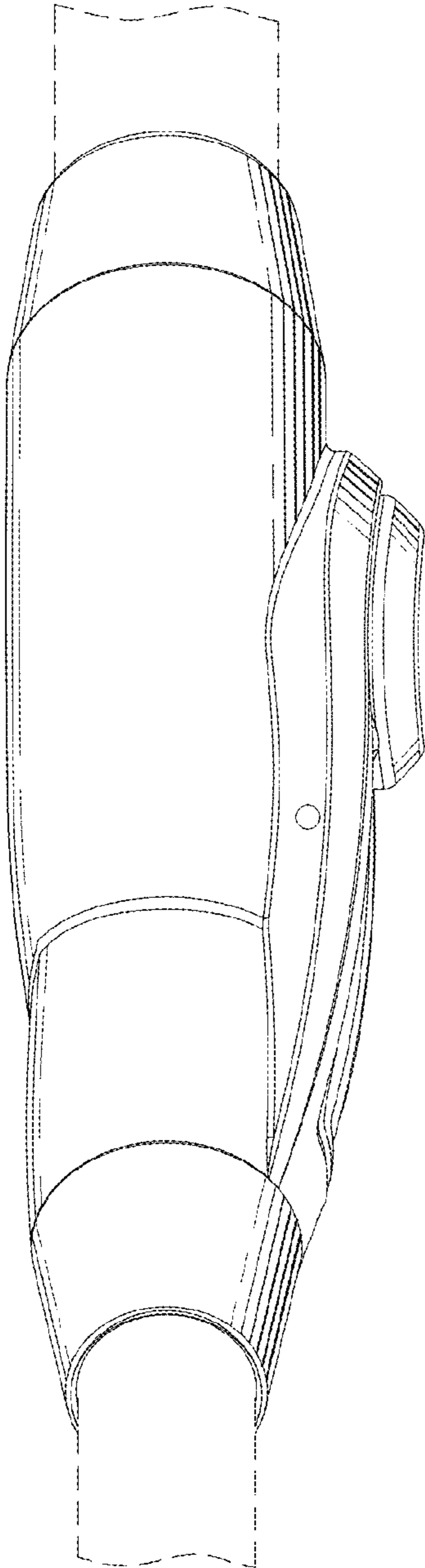


FIG. 6

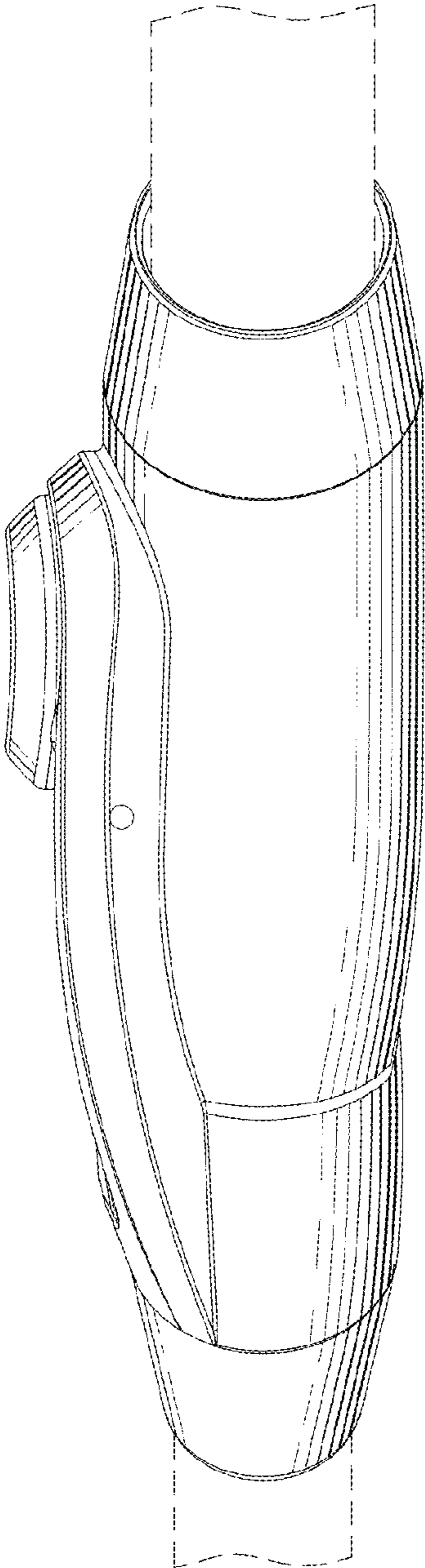


FIG. 7