



US00D752303S

(12) **United States Design Patent**  
**Kerr et al.**

(10) **Patent No.:** **US D752,303 S**  
(45) **Date of Patent:** **\*\* Mar. 22, 2016**

- (54) **PART OF A VACUUM CLEANER**
- (71) Applicant: **Dyson Technology Limited**, Wiltshire (GB)
- (72) Inventors: **Will Henry Kerr**, Bristol (GB); **Edward Miles Sims**, Bristol (GB); **Jonathan George Marsh**, Swindon (GB)
- (73) Assignee: **Dyson Technology Limited**, Malmesbury, Wiltshire (GB)
- (\*\*) Term: **14 Years**
- (21) Appl. No.: **29/500,017**
- (22) Filed: **Aug. 20, 2014**
- (30) **Foreign Application Priority Data**

Feb. 21, 2014 (EM) ..... 002409946-0002

- (51) **LOC (10) Cl.** ..... **15-05**
- (52) **U.S. Cl.**  
USPC ..... **D32/32**

- (58) **Field of Classification Search**  
USPC ..... D32/22, 31-34  
CPC ..... A47L 9/02; A47L 9/06; A47L 9/325;  
A47L 9/04; A47L 5/34; A47L 11/4044;  
A47L 7/0009  
See application file for complete search history.

(56) **References Cited**  
U.S. PATENT DOCUMENTS

- D456,103 S \* 4/2002 Shin ..... D32/32
- D507,854 S \* 7/2005 Kim ..... D32/32
- D563,615 S \* 3/2008 Roschi ..... D32/32

- D580,611 S \* 11/2008 Roschi ..... D32/33
- D599,515 S \* 9/2009 Davies ..... D32/32
- D635,315 S \* 3/2011 Wertz ..... D32/32
- D680,699 S \* 4/2013 Okabe ..... D32/33
- D686,379 S \* 7/2013 Kim ..... D32/32
- D698,510 S \* 1/2014 Chu ..... D32/32
- D712,104 S \* 8/2014 Stickney ..... D32/32
- D712,105 S \* 8/2014 Stickney ..... D32/33
- 2012/0079678 A1 \* 4/2012 Spinelli ..... A47L 9/02  
15/383
- 2012/0198644 A1 \* 8/2012 Iles ..... A47L 9/04  
15/179
- 2013/0042429 A1 \* 2/2013 Misumi ..... A46B 13/006  
15/415.1
- 2015/0033498 A1 \* 2/2015 McVey ..... A47L 9/0477  
15/363

\* cited by examiner

*Primary Examiner* — Ruth McInroy

(74) *Attorney, Agent, or Firm* — Morrison & Foerster LLP

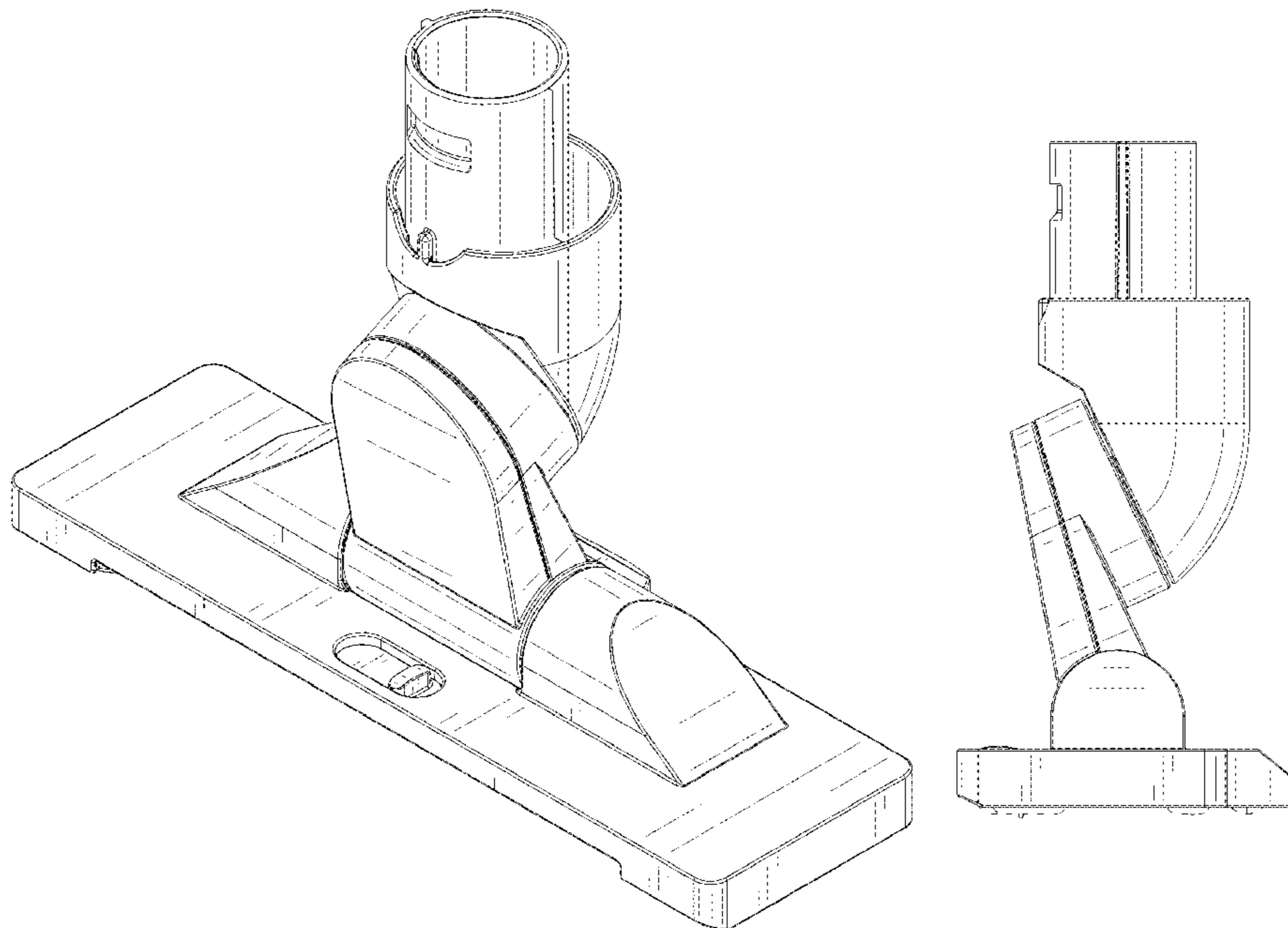
(57) **CLAIM**

We claim the ornamental design for a part of a vacuum cleaner, as shown and described.

**DESCRIPTION**

FIG. 1 is a perspective view of a part of a vacuum cleaner showing our new design;  
FIG. 2 is a front view thereof;  
FIG. 3 is a rear view thereof;  
FIG. 4 is a side view thereof;  
FIG. 5 is a side view of the opposite side of FIG. 4;  
FIG. 6 is a top view thereof; and,  
FIG. 7 is a bottom view thereof.  
The details shown in broken lines form no part of the claimed design.

**1 Claim, 5 Drawing Sheets**



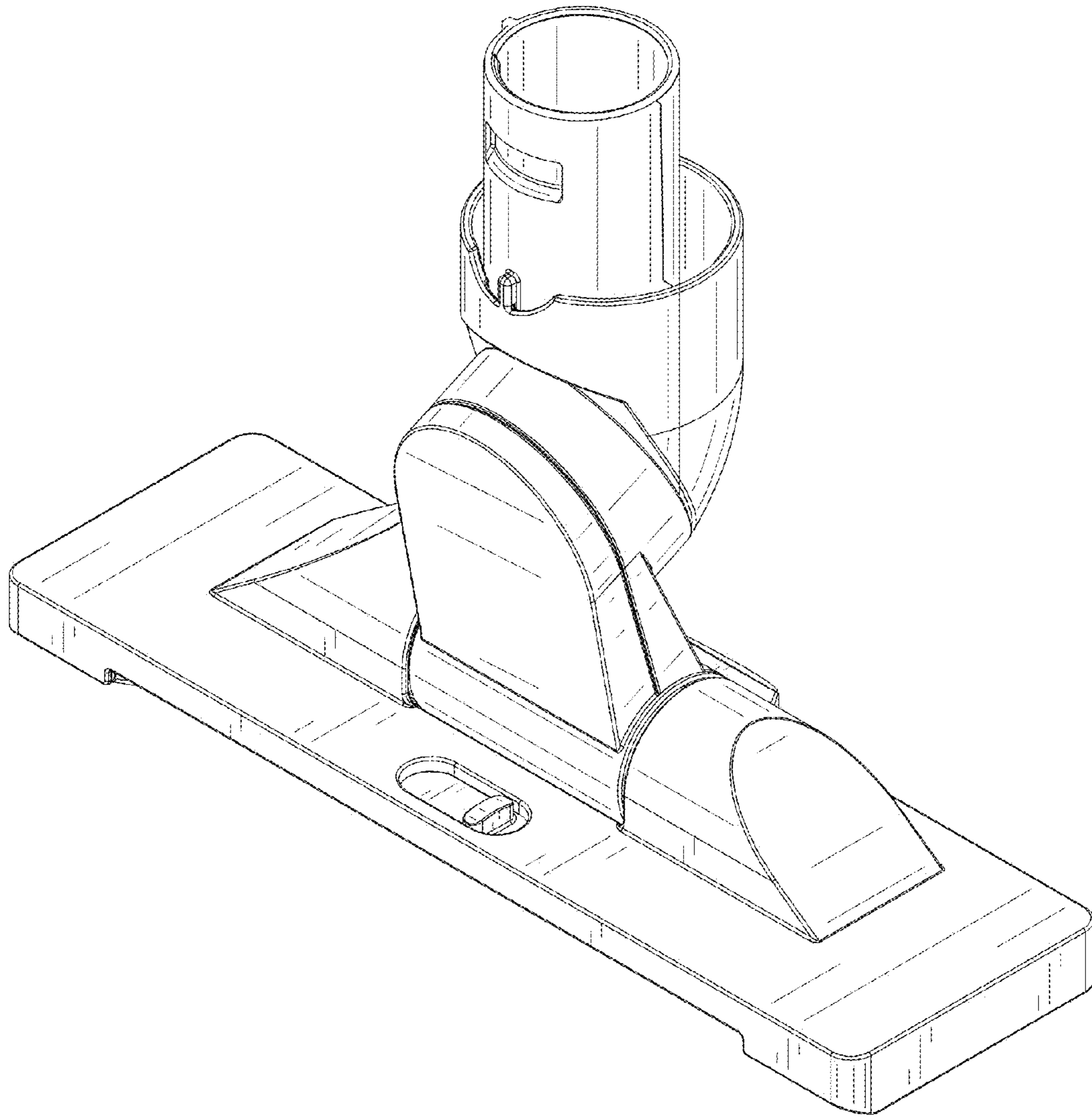


FIG. 1

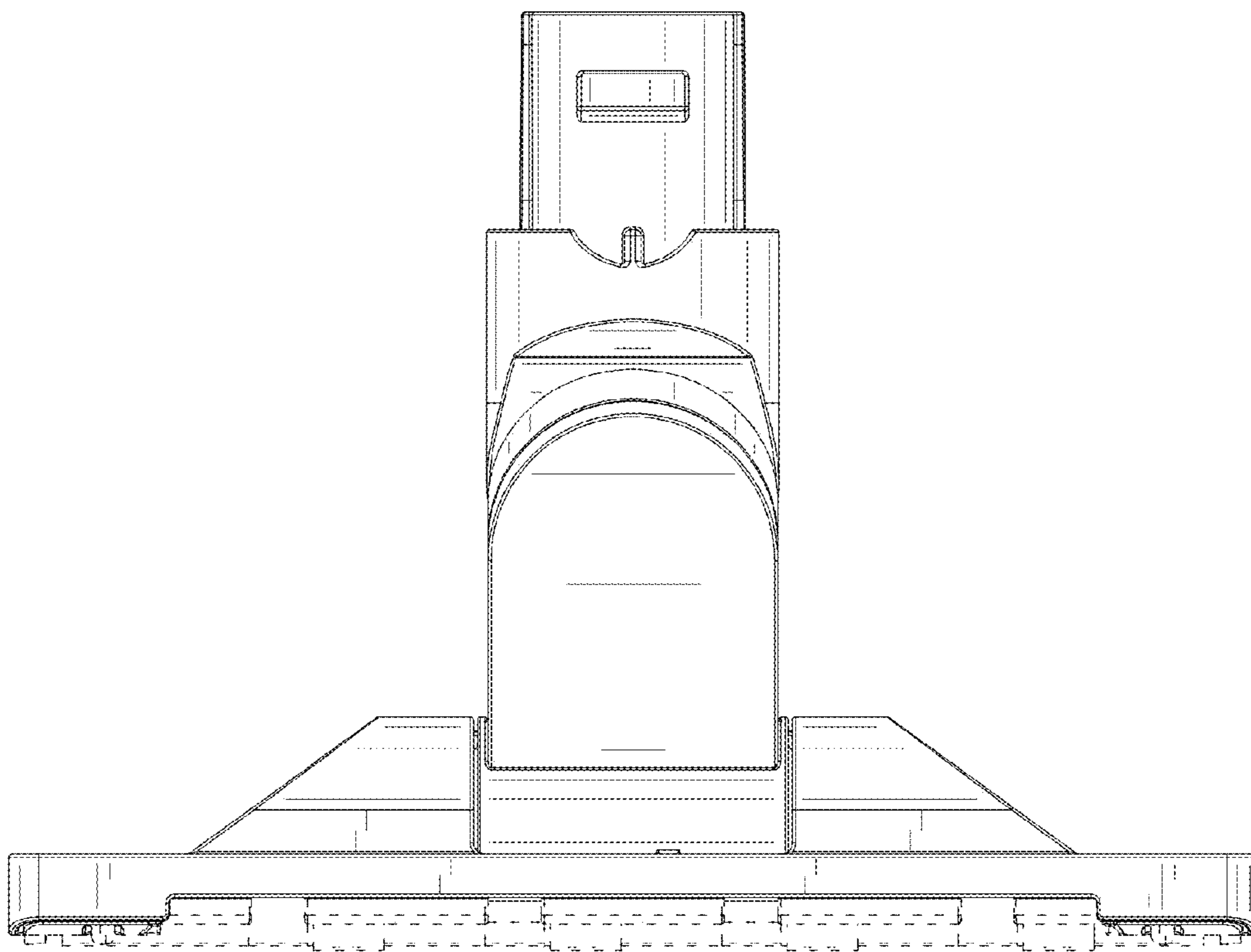


FIG. 2

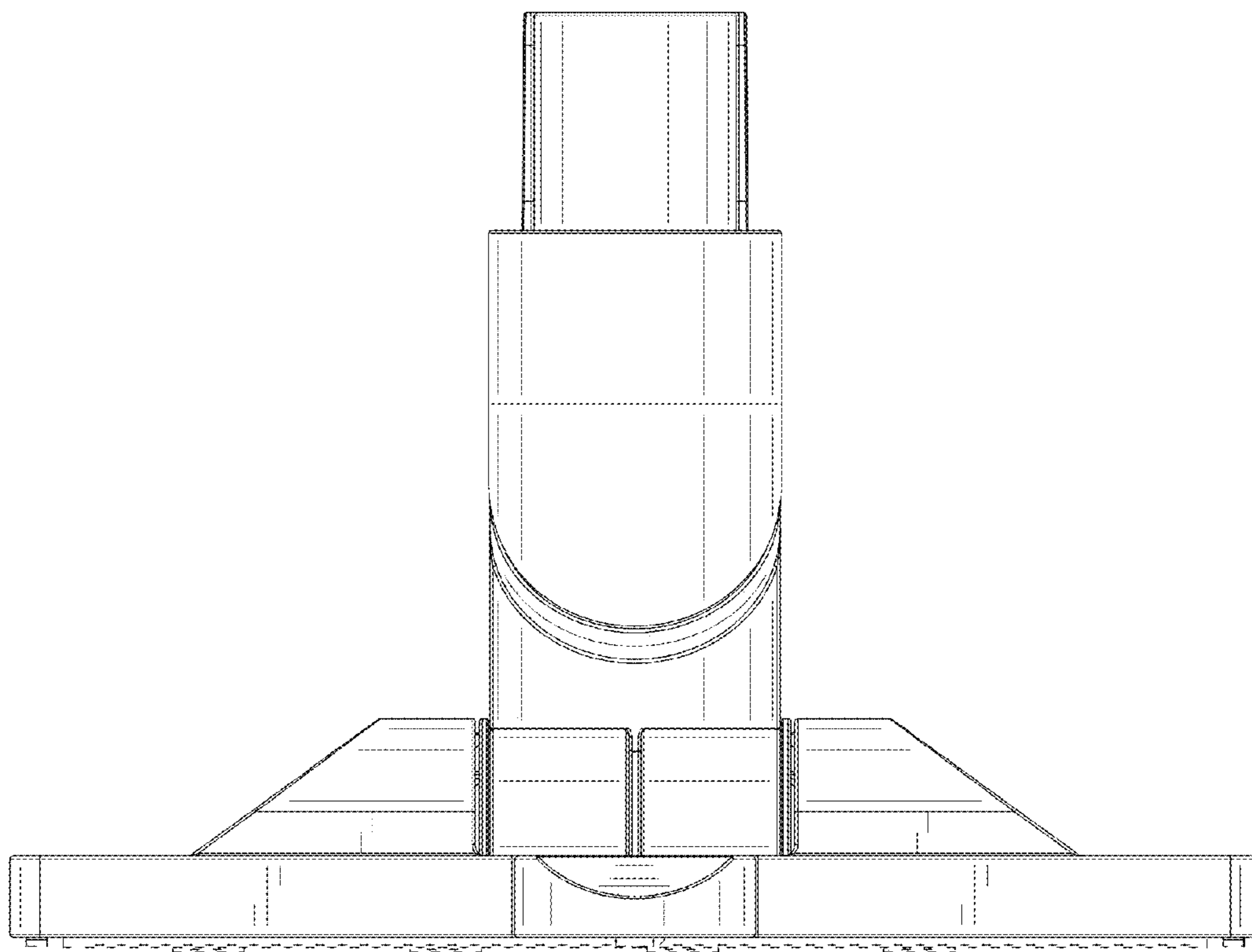


FIG. 3

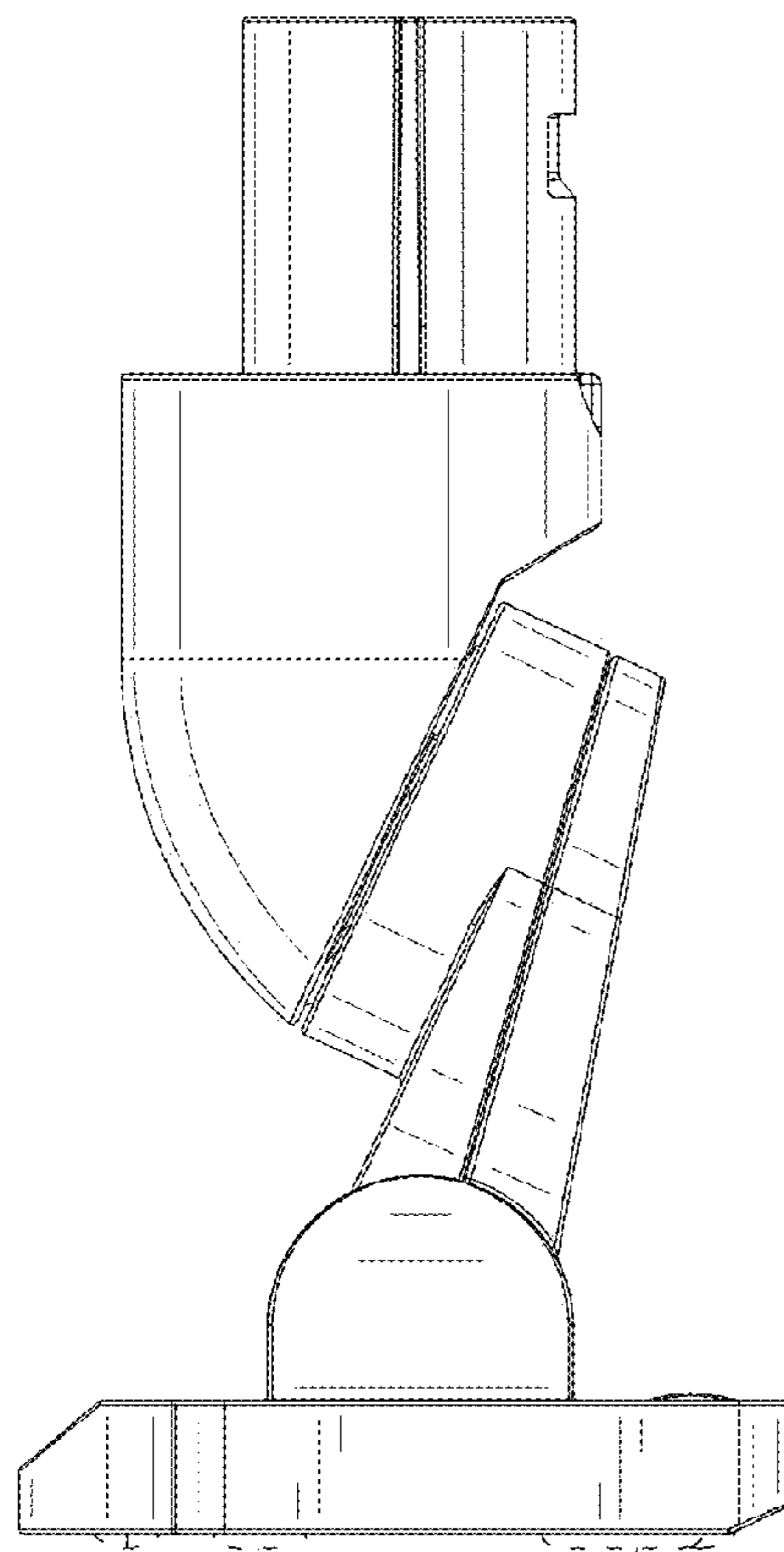


FIG. 4

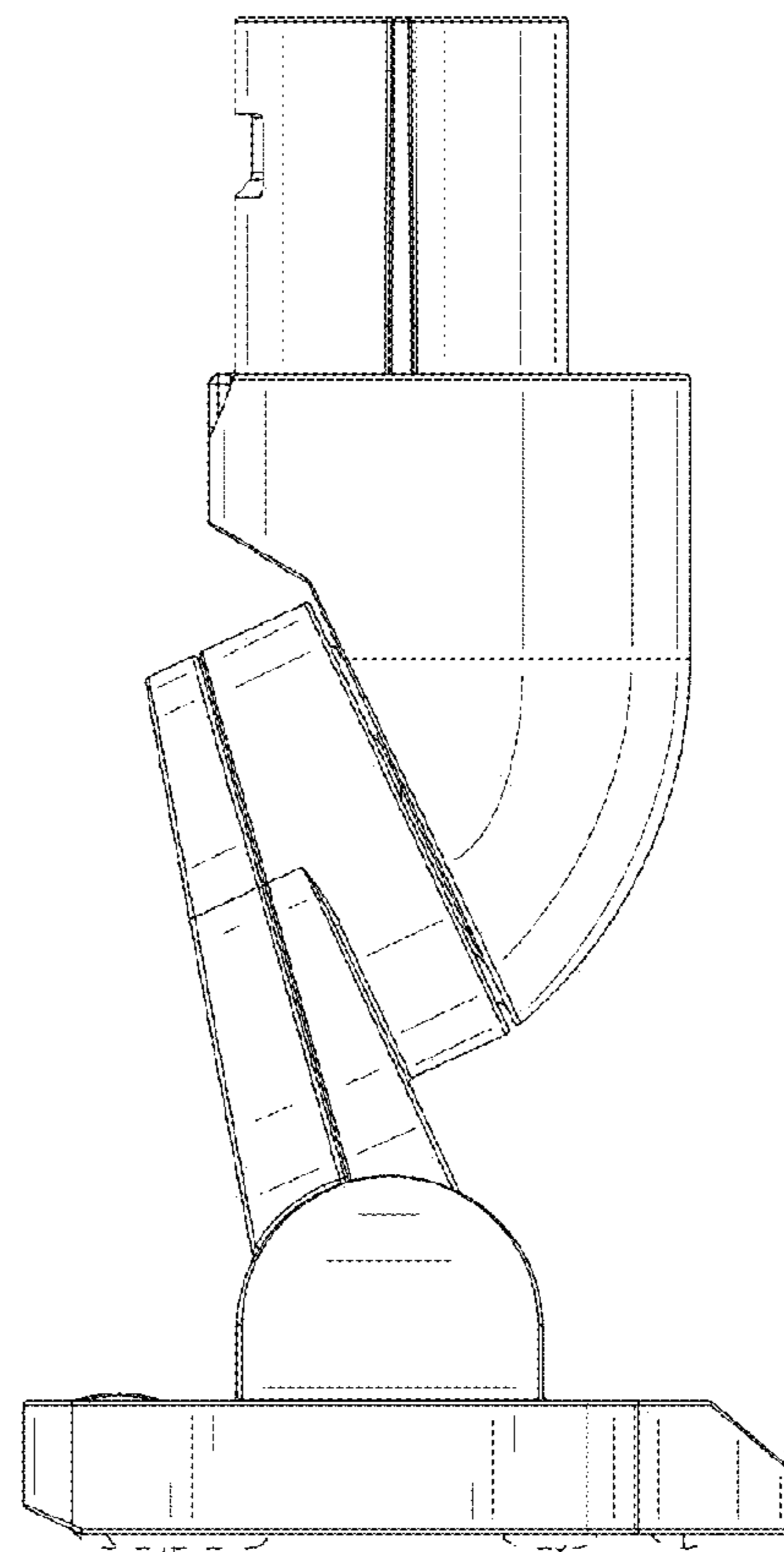


FIG. 5

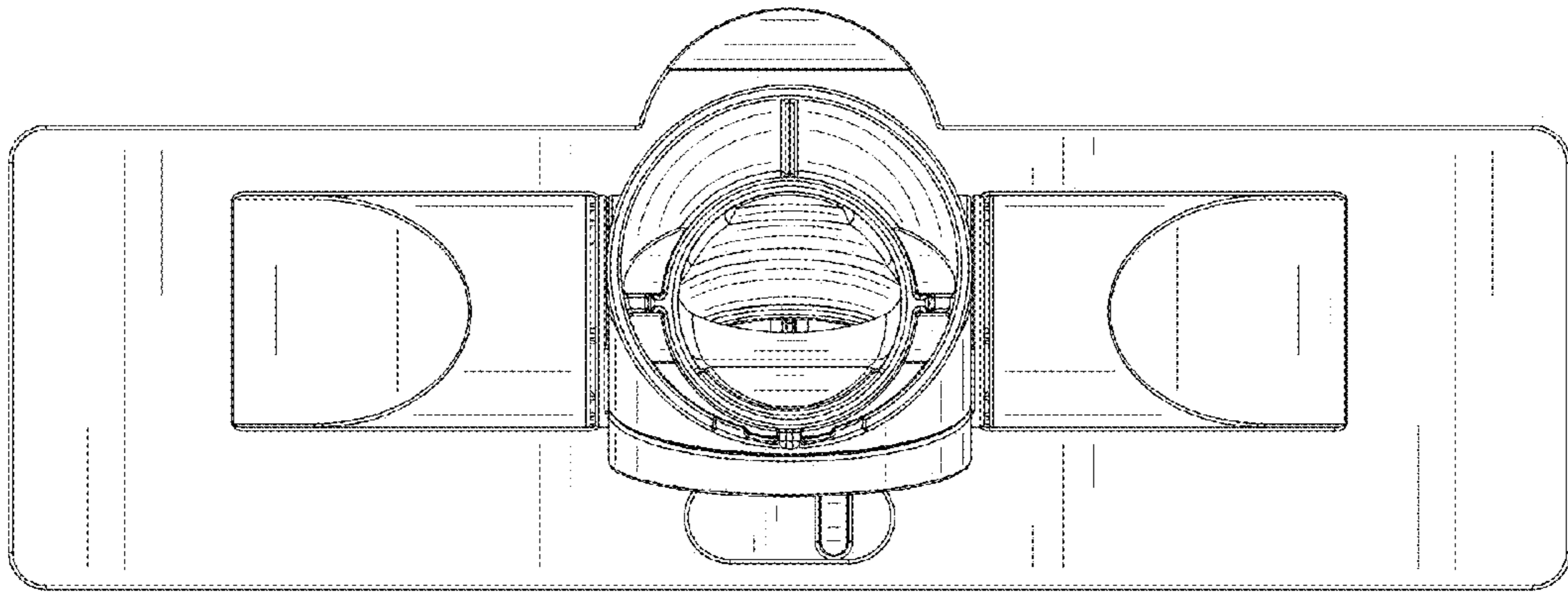


FIG. 6

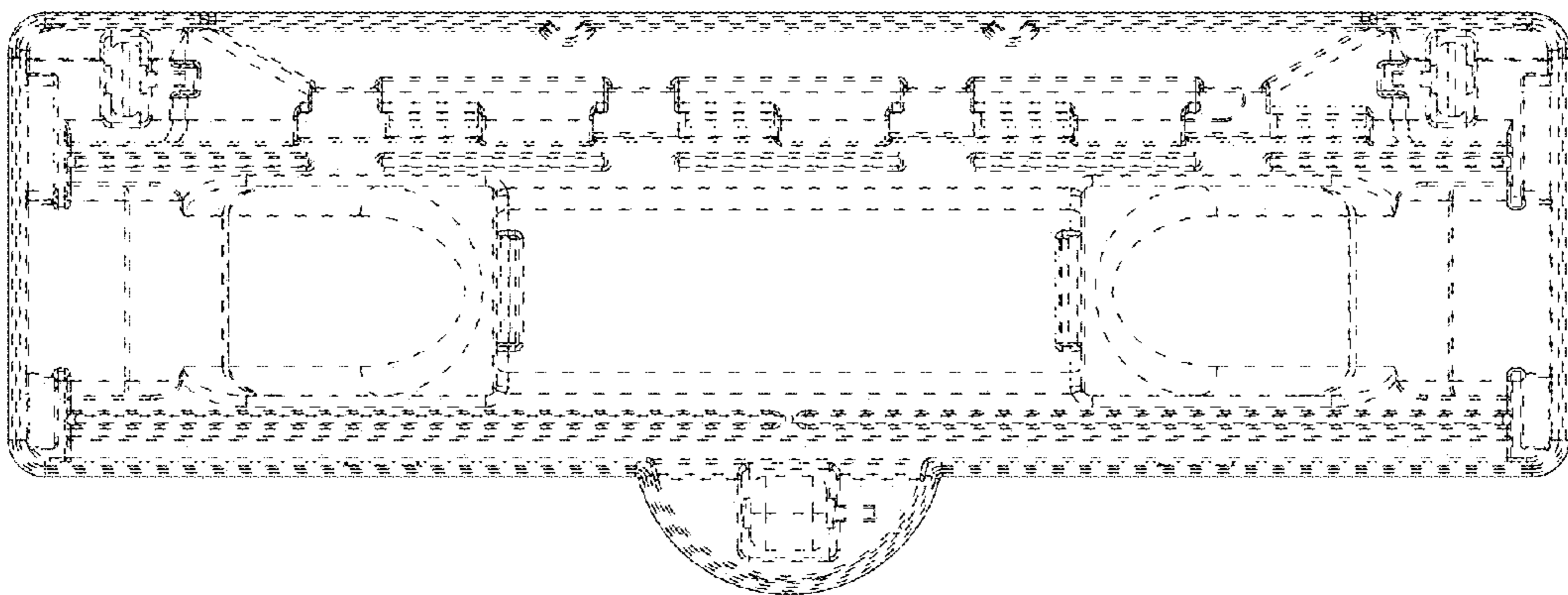


FIG. 7