

US00D752302S

(12) **United States Design Patent**
Courtney et al.

(10) **Patent No.:** **US D752,302 S**
(45) **Date of Patent:** **** Mar. 22, 2016**

(54) **PART OF A VACUUM CLEANER**

(71) Applicant: **Dyson Technology Limited**, Wiltshire (GB)
(72) Inventors: **Stephen Benjamin Courtney**, Bath (GB); **Peter David Gammack**, Swindon (GB); **Jonathan George Marsh**, Swindon (GB); **Donald James McIntosh**, Gloucester (GB); **Louis Peter Richard Garner**, Dorchester (GB); **Alexander Stuart Knox**, Swindon (GB); **Stephen Robert Dimbylow**, Swindon (GB); **Heidi Williamson**, Surrey (GB)

(73) Assignee: **Dyson Technology Limited**, Malmesbury, Wiltshire (GB)

(**) Term: **14 Years**

(21) Appl. No.: **29/500,016**

(22) Filed: **Aug. 20, 2014**

(30) **Foreign Application Priority Data**

Feb. 21, 2014 (EM) 002409656-0003

(51) **LOC (10) Cl.** **15-05**

(52) **U.S. Cl.**
USPC **D32/32**

(58) **Field of Classification Search**
USPC D32/22, 31-34
CPC A47L 9/02; A47L 9/06; A47L 9/325;
A47L 9/04; A47L 5/34; A47L 11/4044;
A47L 7/0009
See application file for complete search history.

(56) **References Cited**

U.S. PATENT DOCUMENTS

D456,103 S * 4/2002 Shin D32/32
D507,854 S * 7/2005 Kim D32/32

D563,615 S * 3/2008 Roschi D32/32
D580,611 S * 11/2008 Roschi D32/33
D599,515 S * 9/2009 Davies D32/32
D635,315 S * 3/2011 Wertz D32/32
D680,699 S * 4/2013 Okabe D32/33
D686,379 S * 7/2013 Kim D32/32
D698,510 S * 1/2014 Chu D32/32
D712,104 S * 8/2014 Stickney D32/32
D712,105 S * 8/2014 Stickney D32/33
2012/0079678 A1 * 4/2012 Spinelli A47L 9/02
15/383
2012/0198644 A1 * 8/2012 Iles A47L 9/04
15/179
2013/0042429 A1 * 2/2013 Misumi A46B 13/006
15/415.1
2015/0033498 A1 * 2/2015 McVey A47L 9/0477
15/363

FOREIGN PATENT DOCUMENTS

RU 87656 1/2014

* cited by examiner

Primary Examiner — Ruth McInroy

(74) *Attorney, Agent, or Firm* — Morrison & Foerster LLP

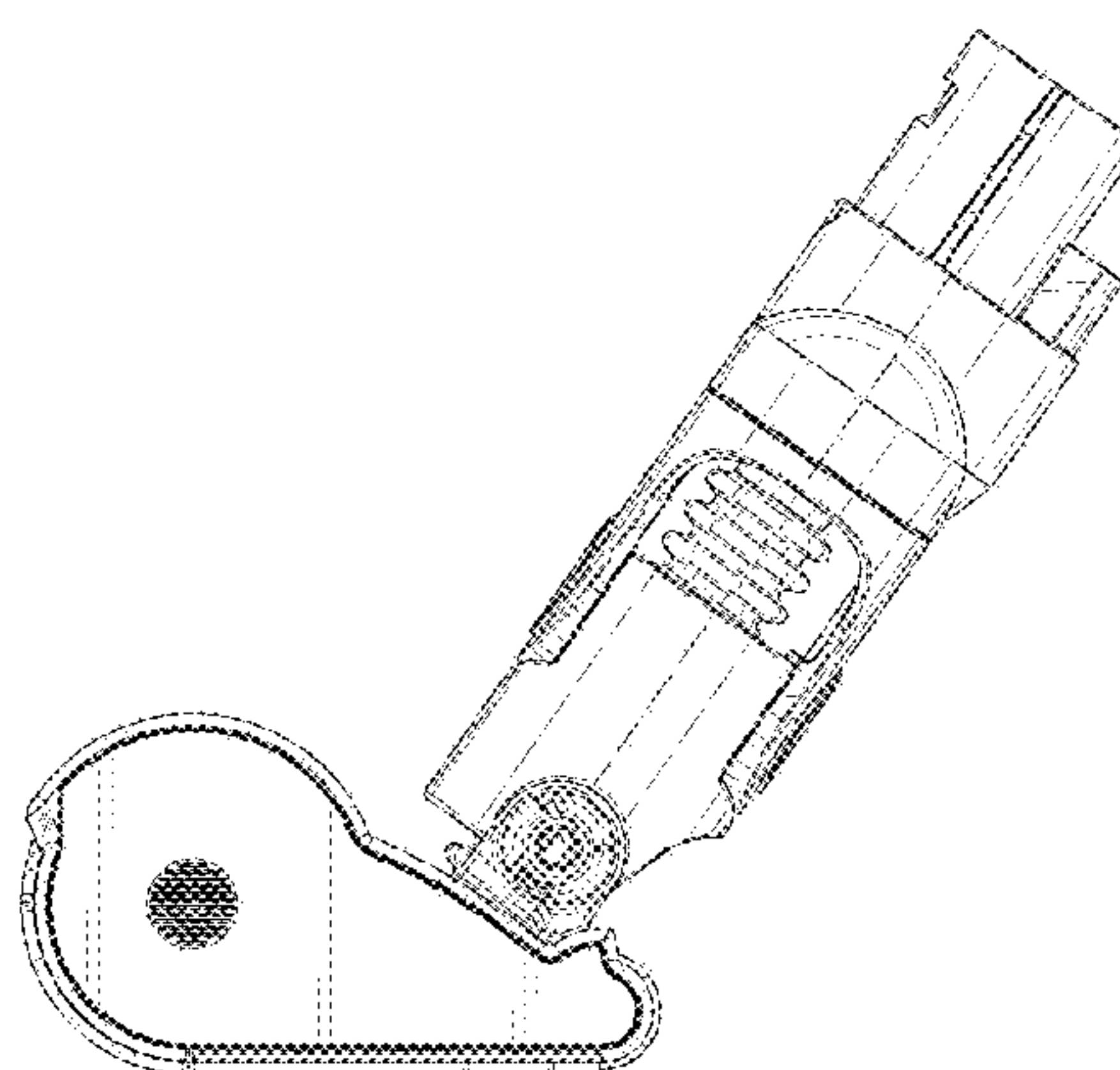
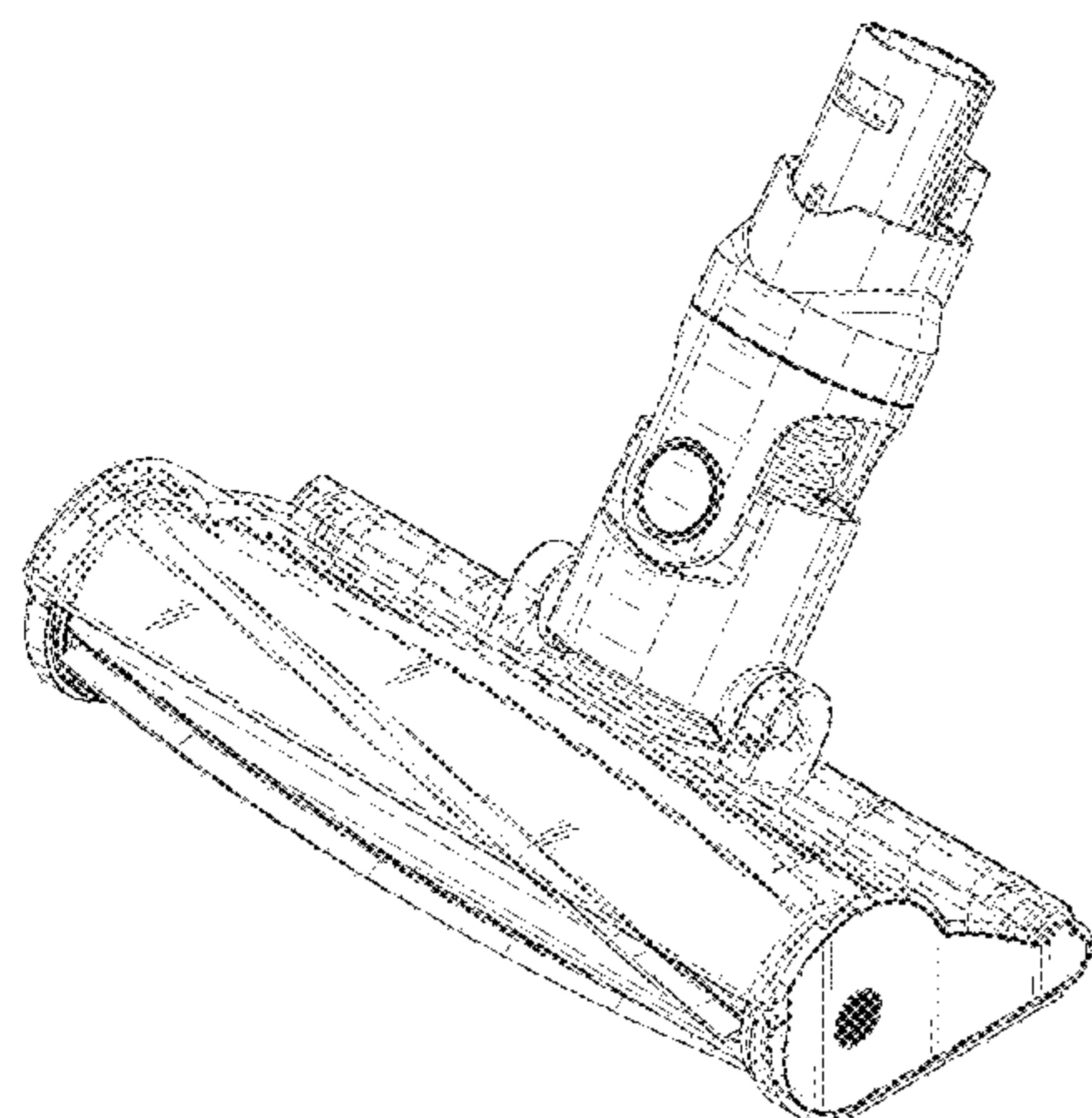
(57) **CLAIM**

We claim the ornamental design for a part of a vacuum cleaner, as shown and described.

DESCRIPTION

FIG. 1 is a perspective view of a part of a vacuum cleaner showing our new design;
FIG. 2 is a front view thereof;
FIG. 3 is a rear view thereof;
FIG. 4 is a side view thereof;
FIG. 5 is a side view of the opposite side of FIG. 4;
FIG. 6 is a top view thereof; and,
FIG. 7 is a bottom view thereof.
The details shown in broken lines form no part of the claimed design.

1 Claim, 7 Drawing Sheets



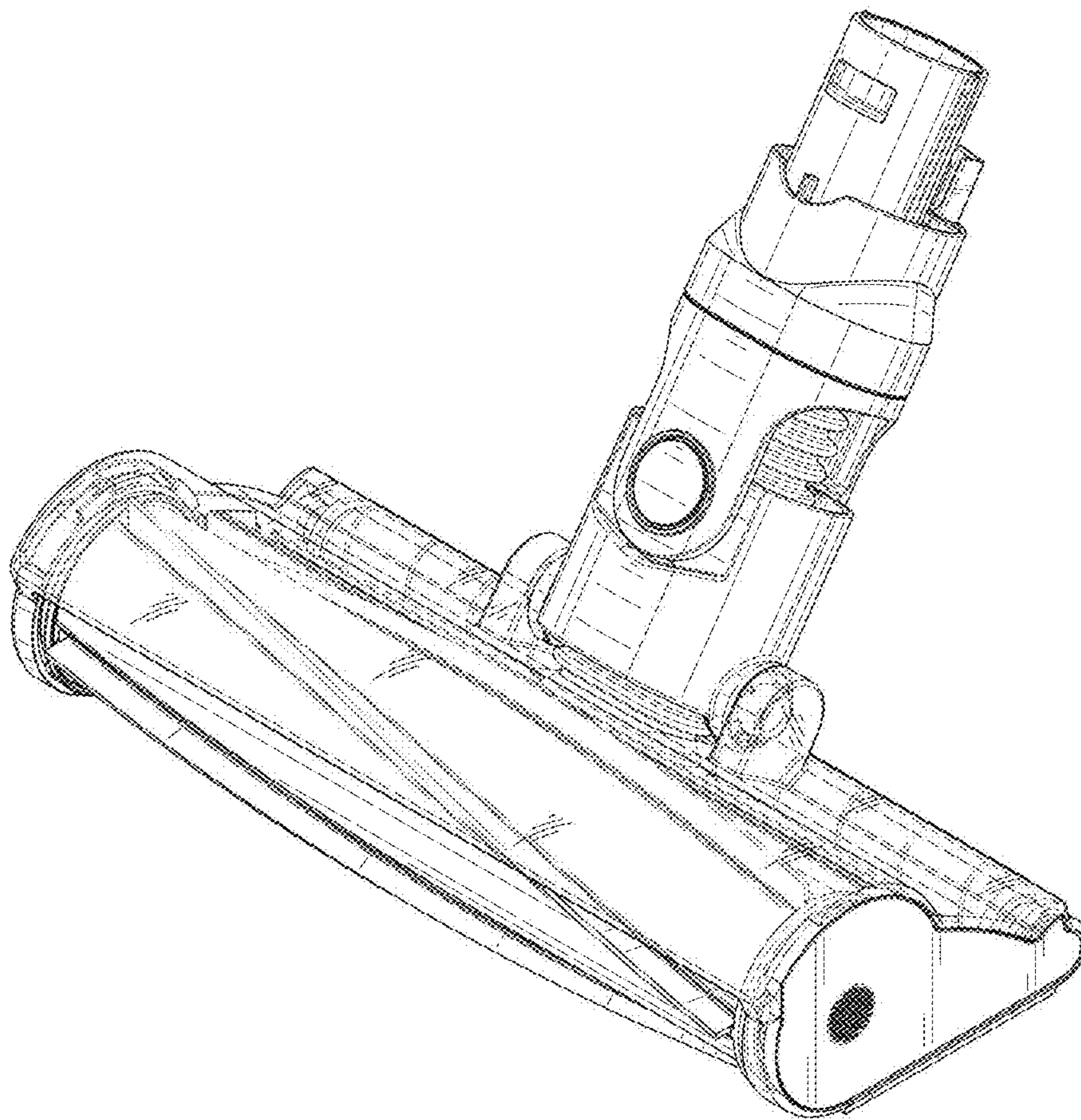


FIG. 1

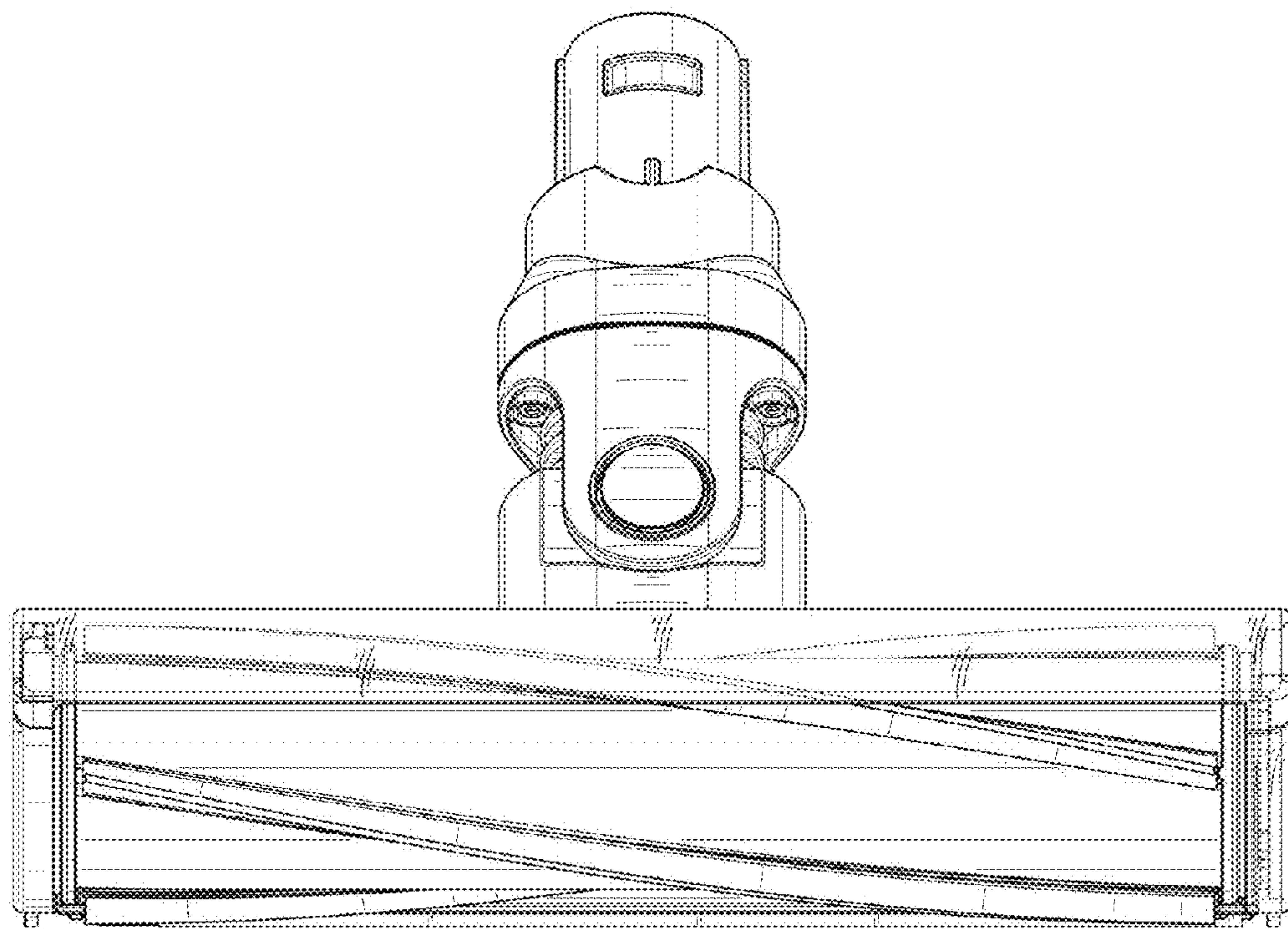


FIG. 2

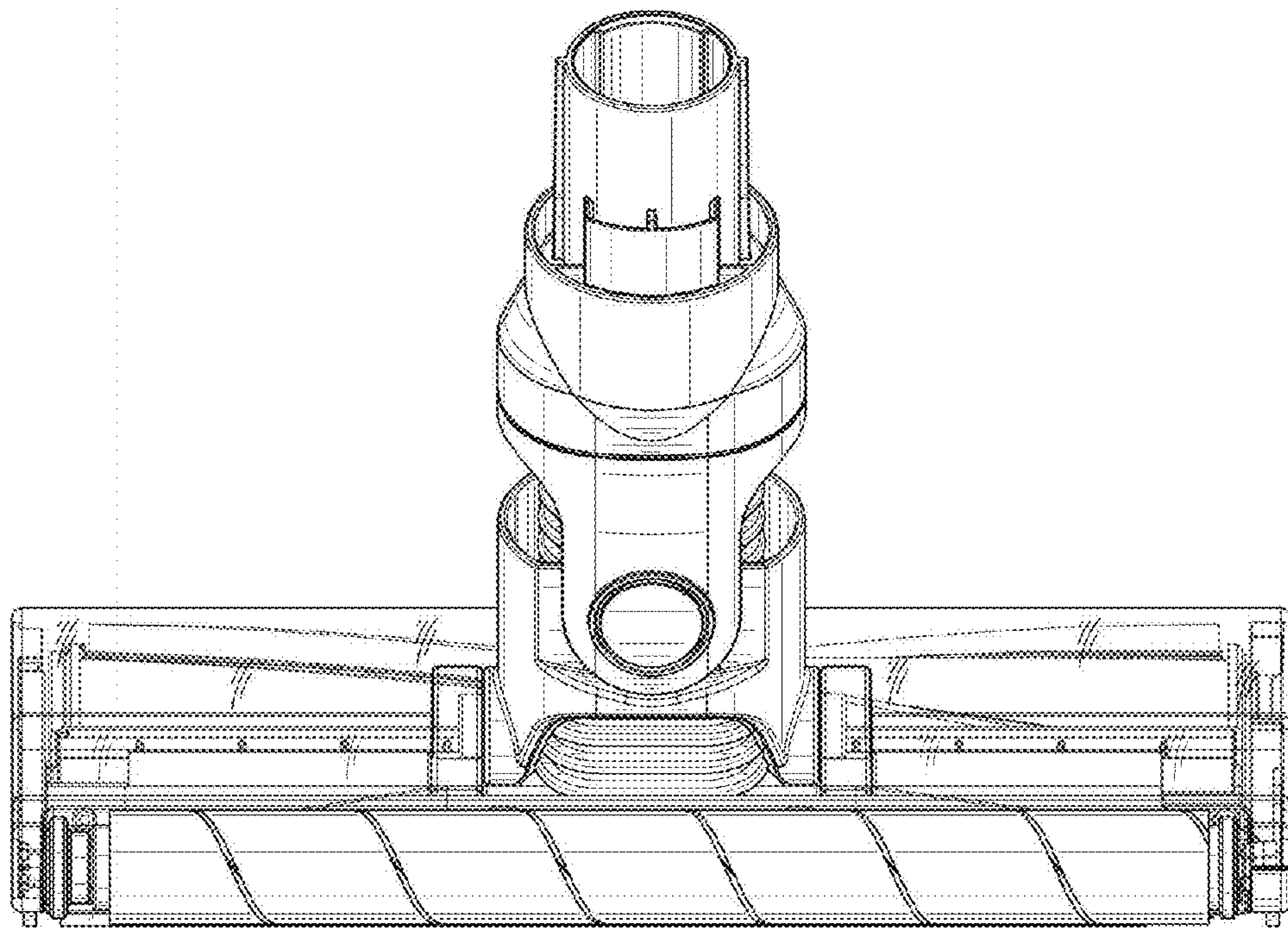


FIG. 3

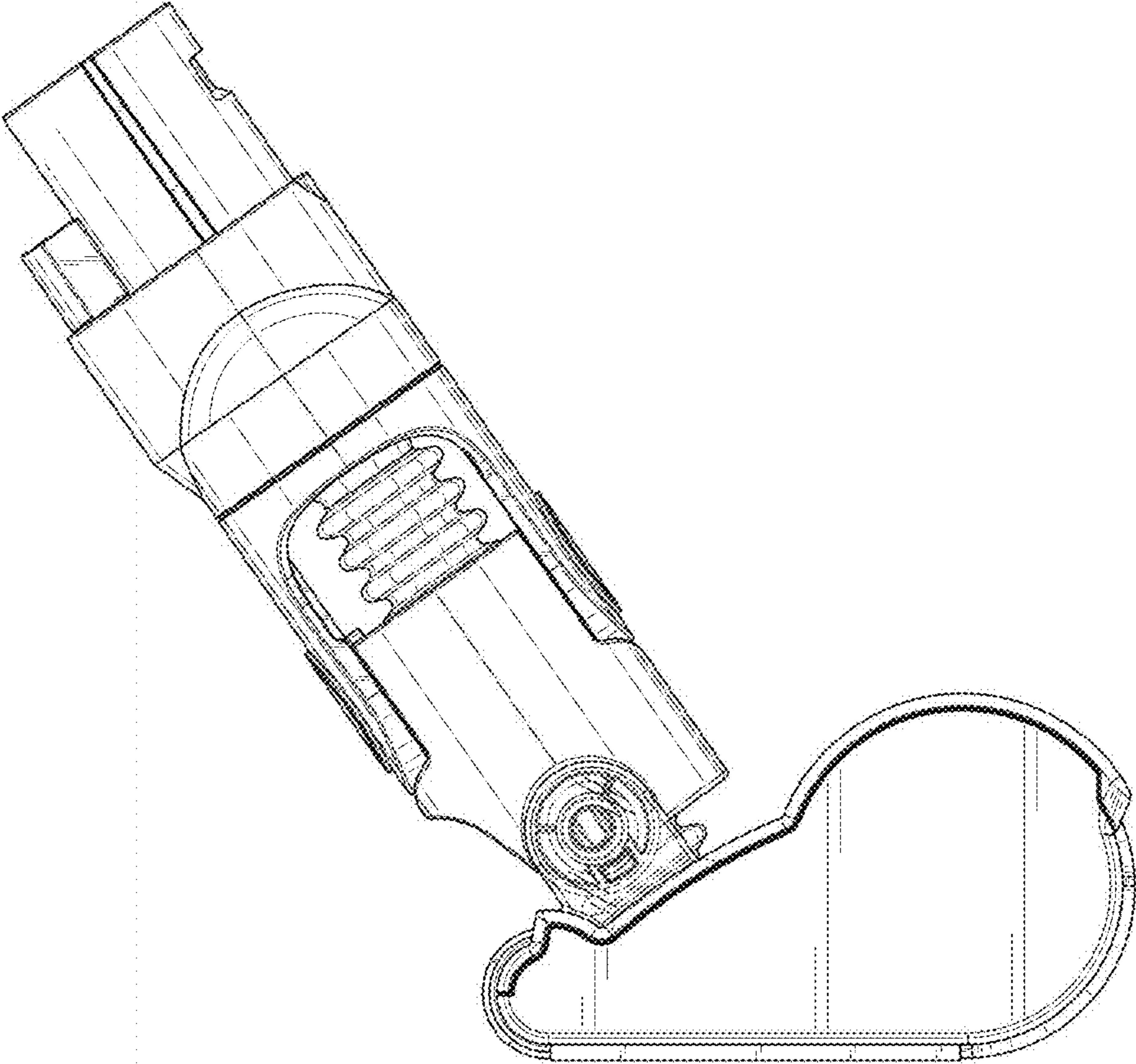


FIG. 4

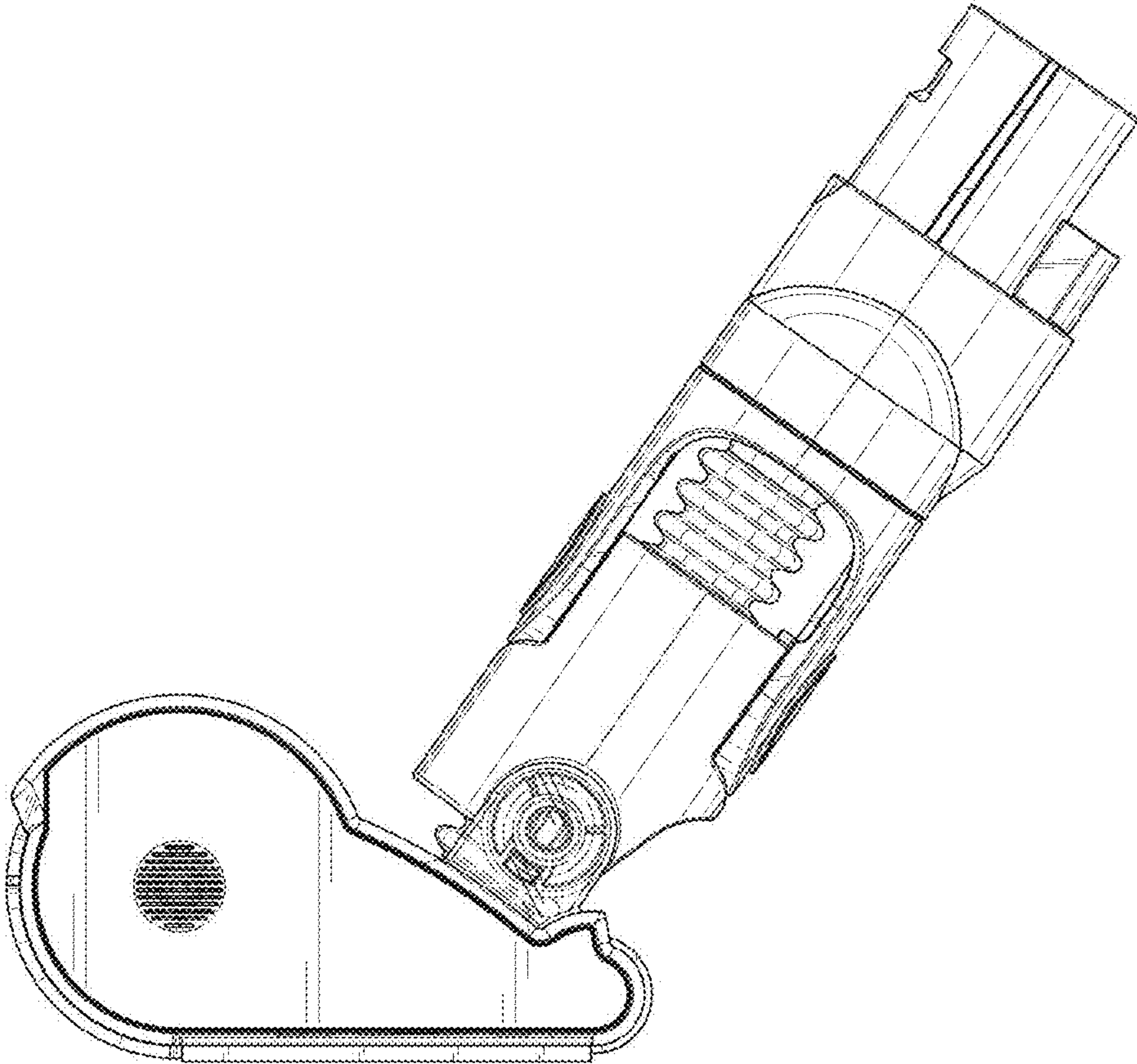


FIG. 5

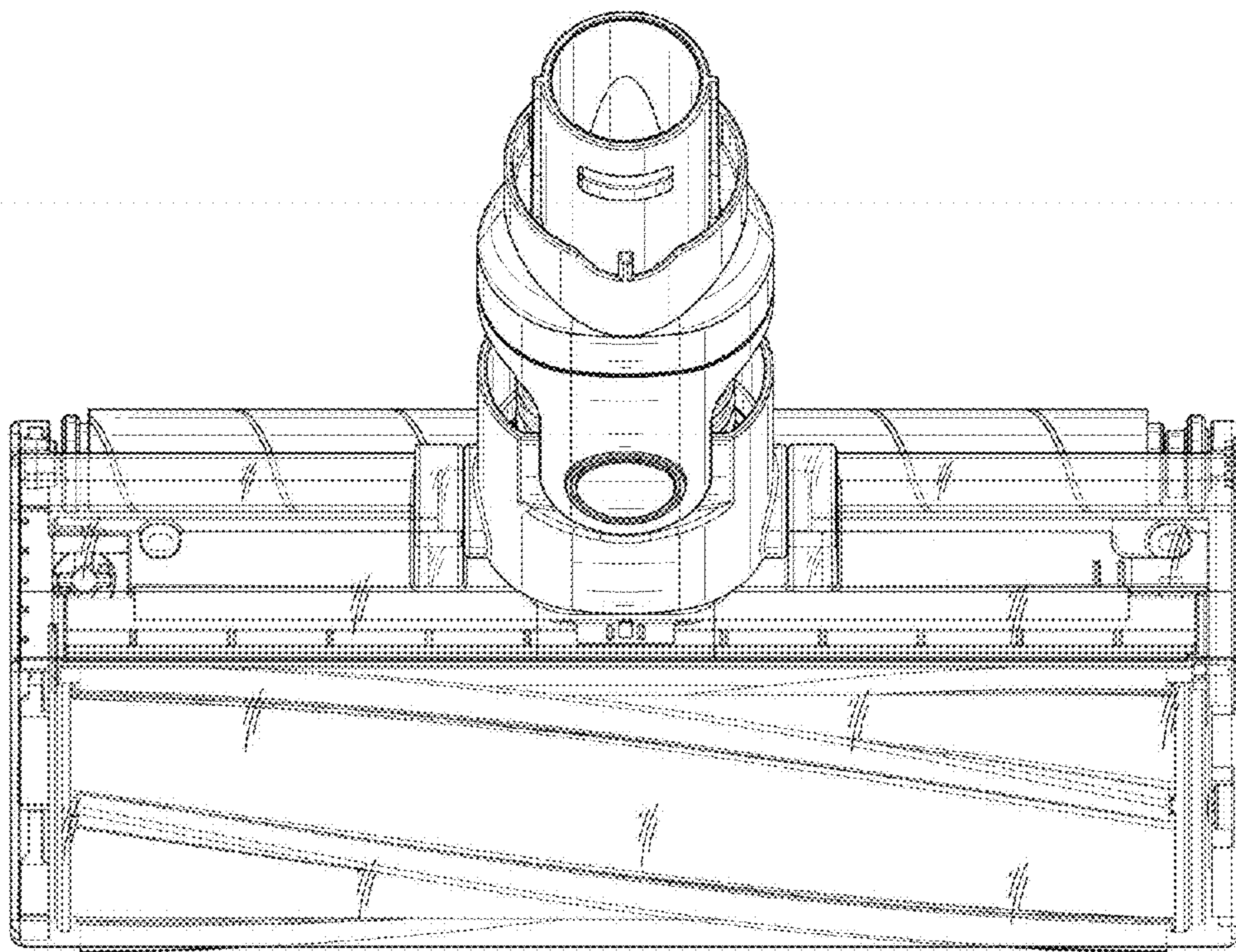


FIG. 6

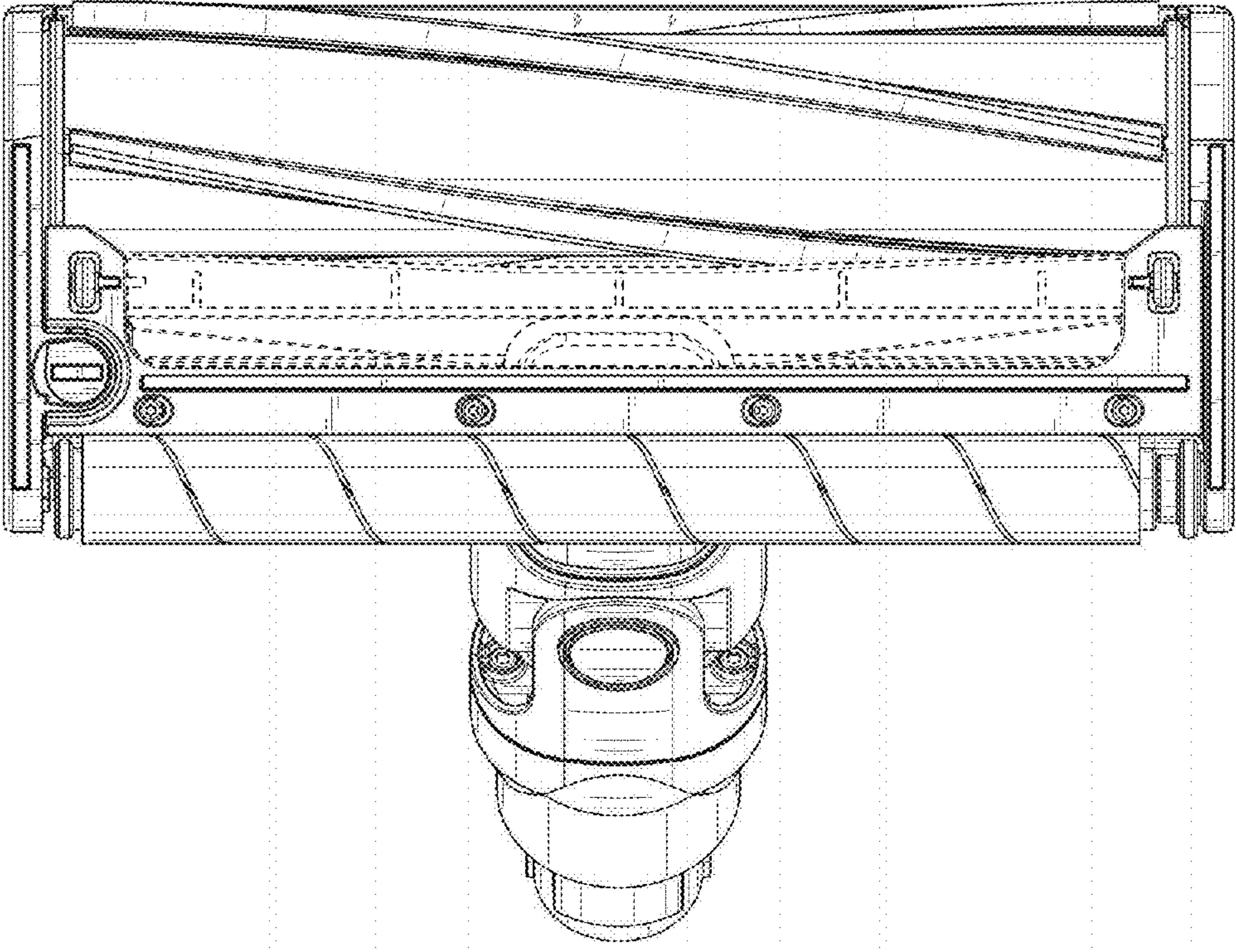


FIG. 7