



US00D752295S

(12) **United States Design Patent**
Lovat

(10) **Patent No.:** **US D752,295 S**
(45) **Date of Patent:** **** Mar. 22, 2016**

(54) **MOUTHGUARD**

(56) **References Cited**

(71) Applicant: **OPRO International Limited**,
Hertfordshire (GB)
(72) Inventor: **Anthony Lovat**, Hertfordshire (GB)
(73) Assignee: **OPRO INTERNATIONAL LIMITED**,
Hertfordshire (GB)
(**) Term: **14 Years**
(21) Appl. No.: **29/506,433**
(22) Filed: **Oct. 15, 2014**
(30) **Foreign Application Priority Data**

U.S. PATENT DOCUMENTS

2,966,908	A *	1/1961	Cathcart et al.	128/861
3,223,085	A *	12/1965	Gores et al.	128/861
3,236,235	A *	2/1966	Jacobs	128/862
3,312,218	A *	4/1967	Jacobs	128/862
3,333,582	A *	8/1967	Cathcart	128/862
3,496,936	A *	2/1970	Gores	128/861
3,505,995	A *	4/1970	Greenberg	128/862
6,584,978	B1 *	7/2003	Brett et al.	128/859
D492,785	S *	7/2004	Garabito	D24/181
D530,425	S *	10/2006	Carlson	D24/181
D642,277	S *	7/2011	Farrell	D24/181
D654,173	S *	2/2012	Farrell	D24/181
D658,813	S *	5/2012	Manzo	D29/108
D682,480	S *	5/2013	Hazard et al.	D29/108
D710,506	S *	8/2014	Tolentino et al.	D24/181
D727,571	S *	4/2015	Brett et al.	D29/108
2007/0254256	A1 *	11/2007	Farrell	433/6
2010/0196837	A1 *	8/2010	Farrell	433/6

Apr. 25, 2014 (EM) 002453266-0001

(51) **LOC (10) Cl.** **29-02**
(52) **U.S. Cl.**
USPC **D29/108**

(58) **Field of Classification Search**
USPC D29/100, 105, 106, 108, 122;
D24/108-110.5, 156, 176, 181;
128/859, 860, 861, 862, 857, 846, 848;
602/902; 433/6, 18, 24, 168.1; 2/9,
2/424, 425; D21/812
CPC A61F 5/566; A61F 5/58; A63B 71/08;
A63B 71/081; A63B 71/085; A63B 2071/085;
A63B 2071/088; A61C 7/10; A61C 13/08;
A61C 13/081; A61C 13/083; A61C 13/087;
A61C 19/066; A61C 5/14; A61B 13/00;
A61B 1/24

See application file for complete search history.

* cited by examiner

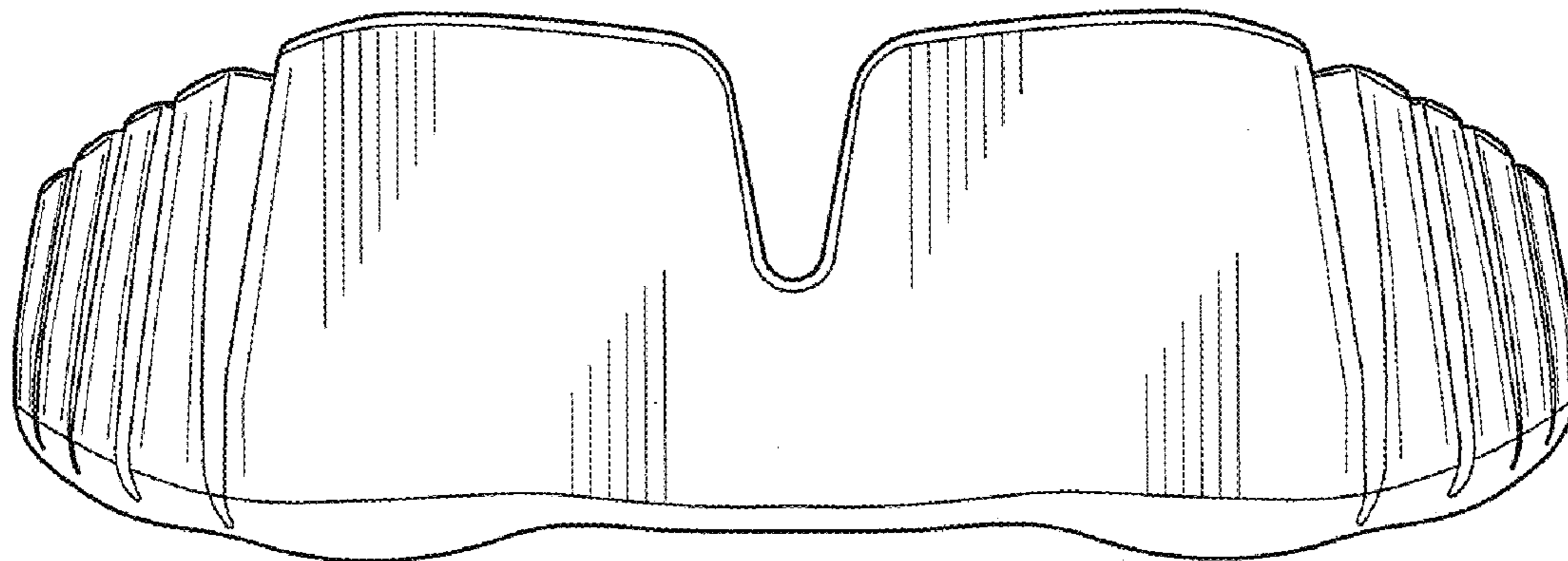
Primary Examiner — Elizabeth J Oswecki
(74) *Attorney, Agent, or Firm* — Knobbe Martens Olson & Bear LLP

(57) **CLAIM**
The ornamental design for a mouthguard, as shown and described.

DESCRIPTION

FIG. 1 is a front view of a mouthguard showing my new design;
FIG. 2 is a back view thereof;
FIG. 3 is a left side view thereof, the right side view being a mirror image thereof;
FIG. 4 is a bottom view thereof;
FIG. 5 is a top view thereof; and,
FIG. 6 is a perspective view thereof.

1 Claim, 6 Drawing Sheets



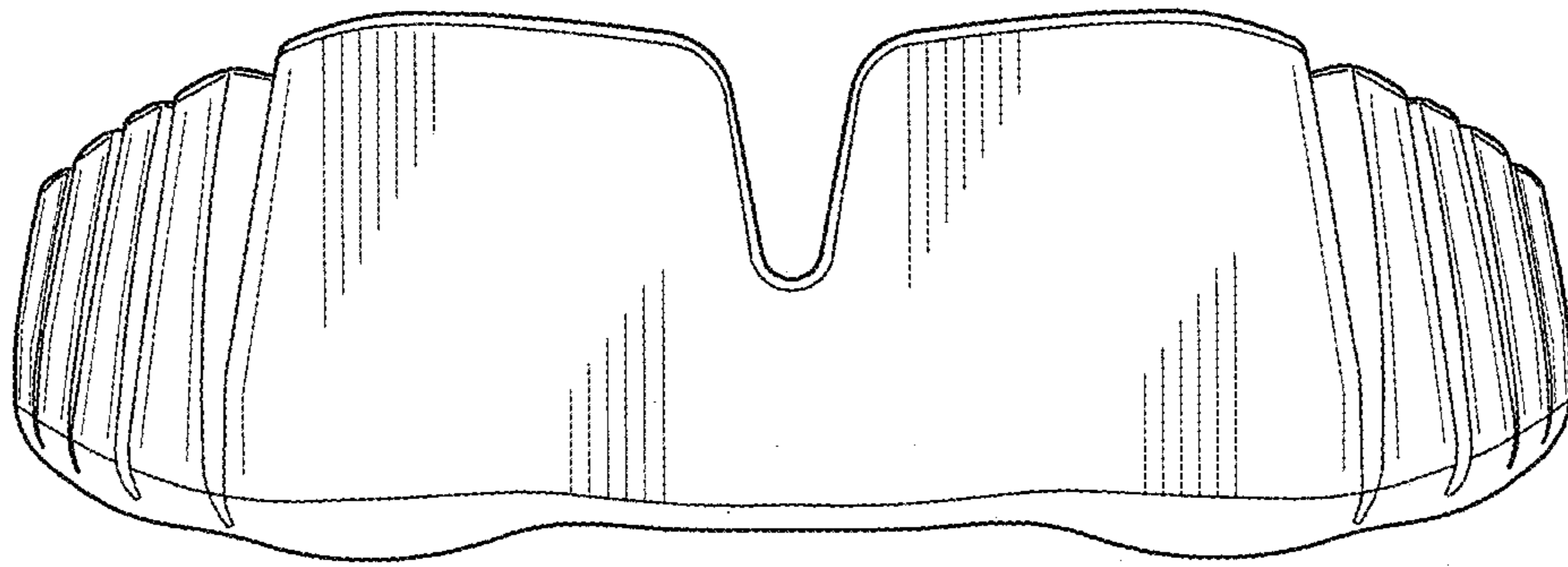


Figure 1

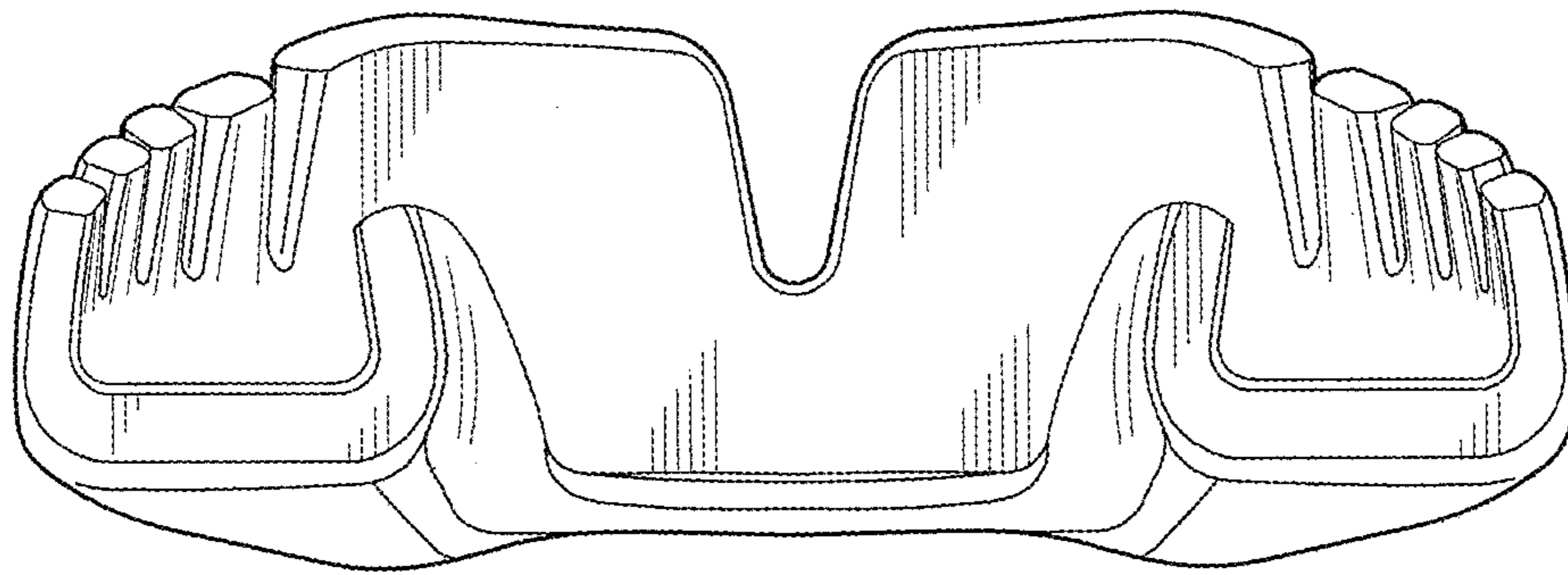


Figure 2

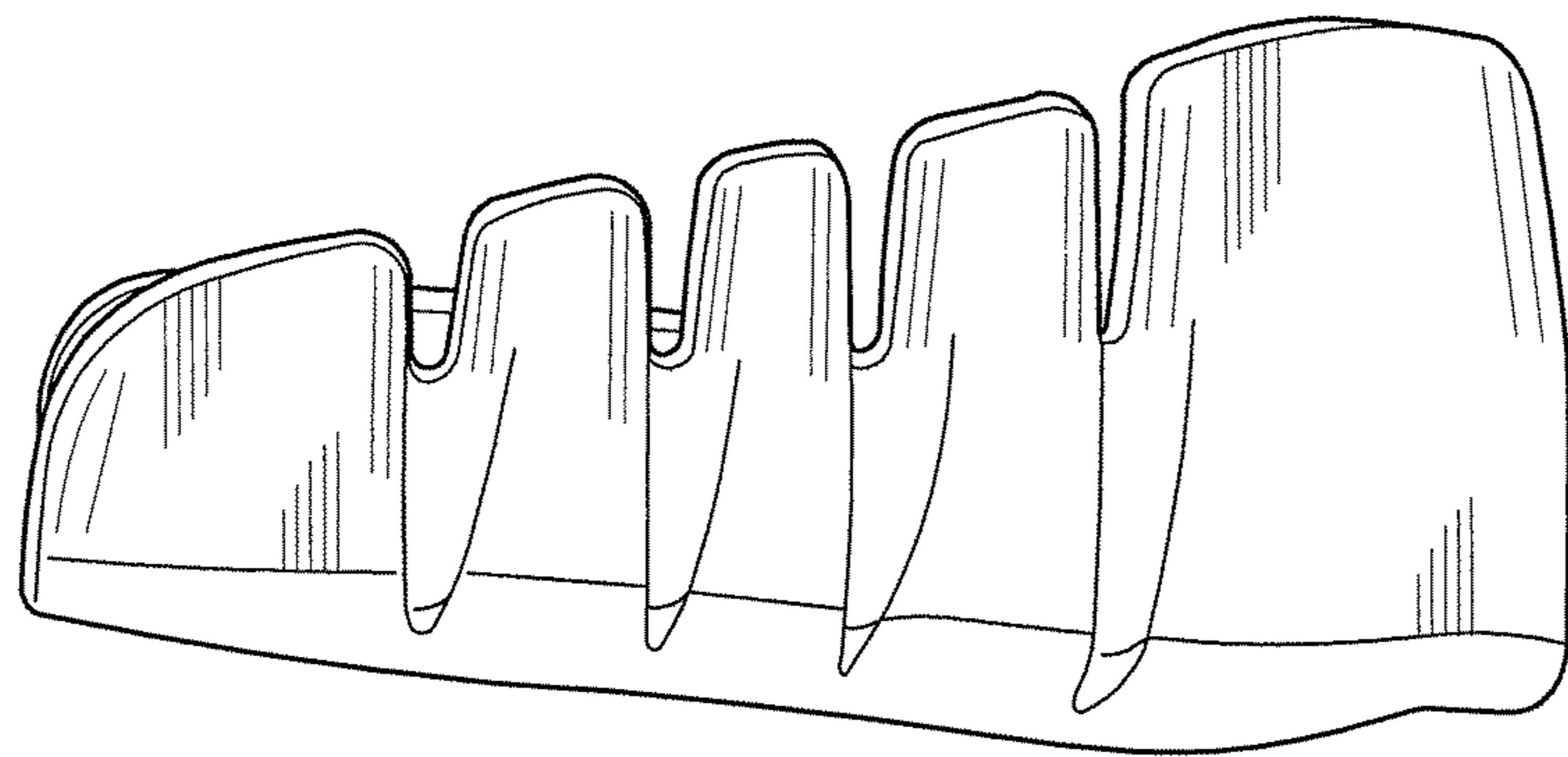


Figure 3.

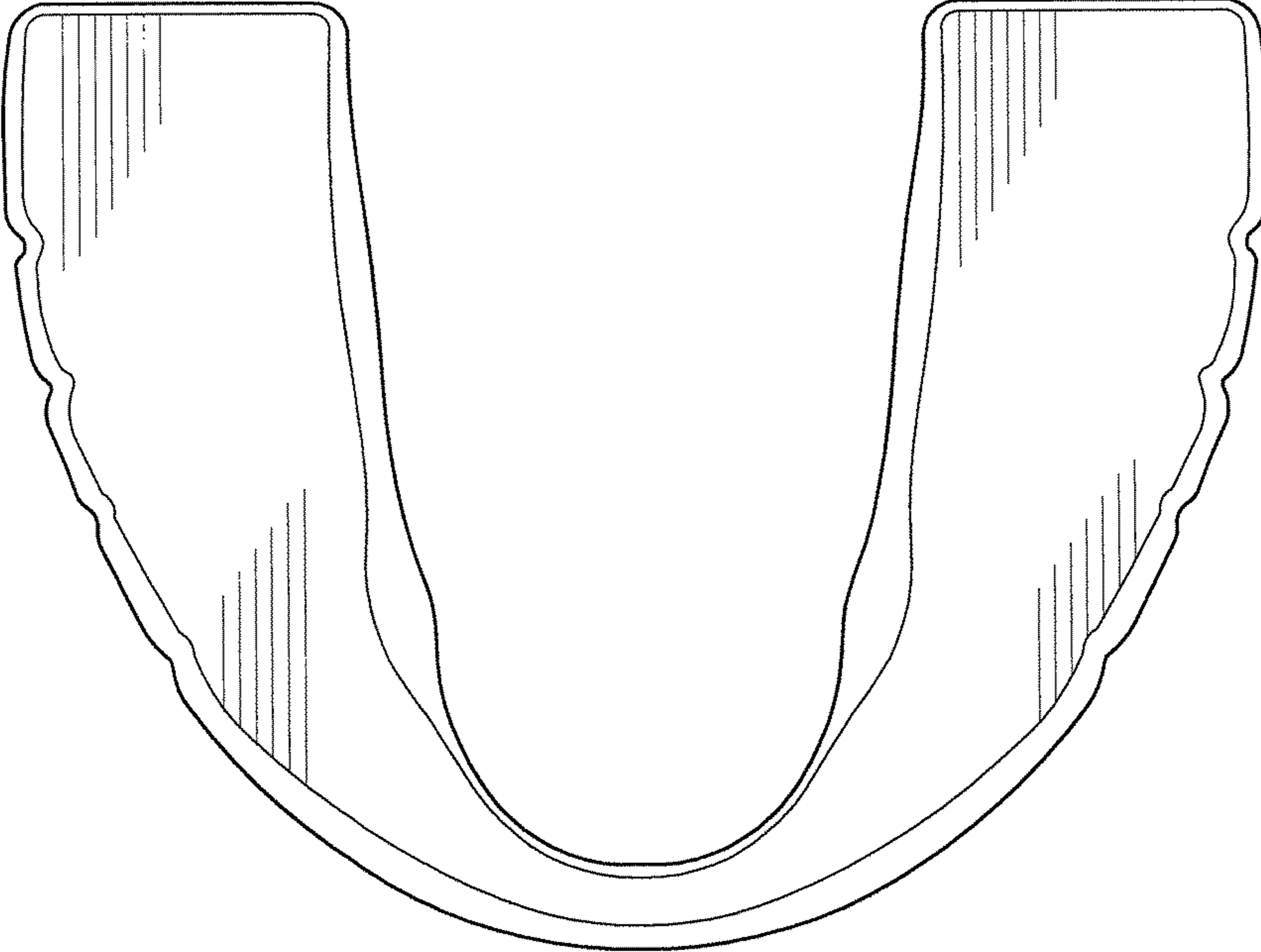


Figure 4

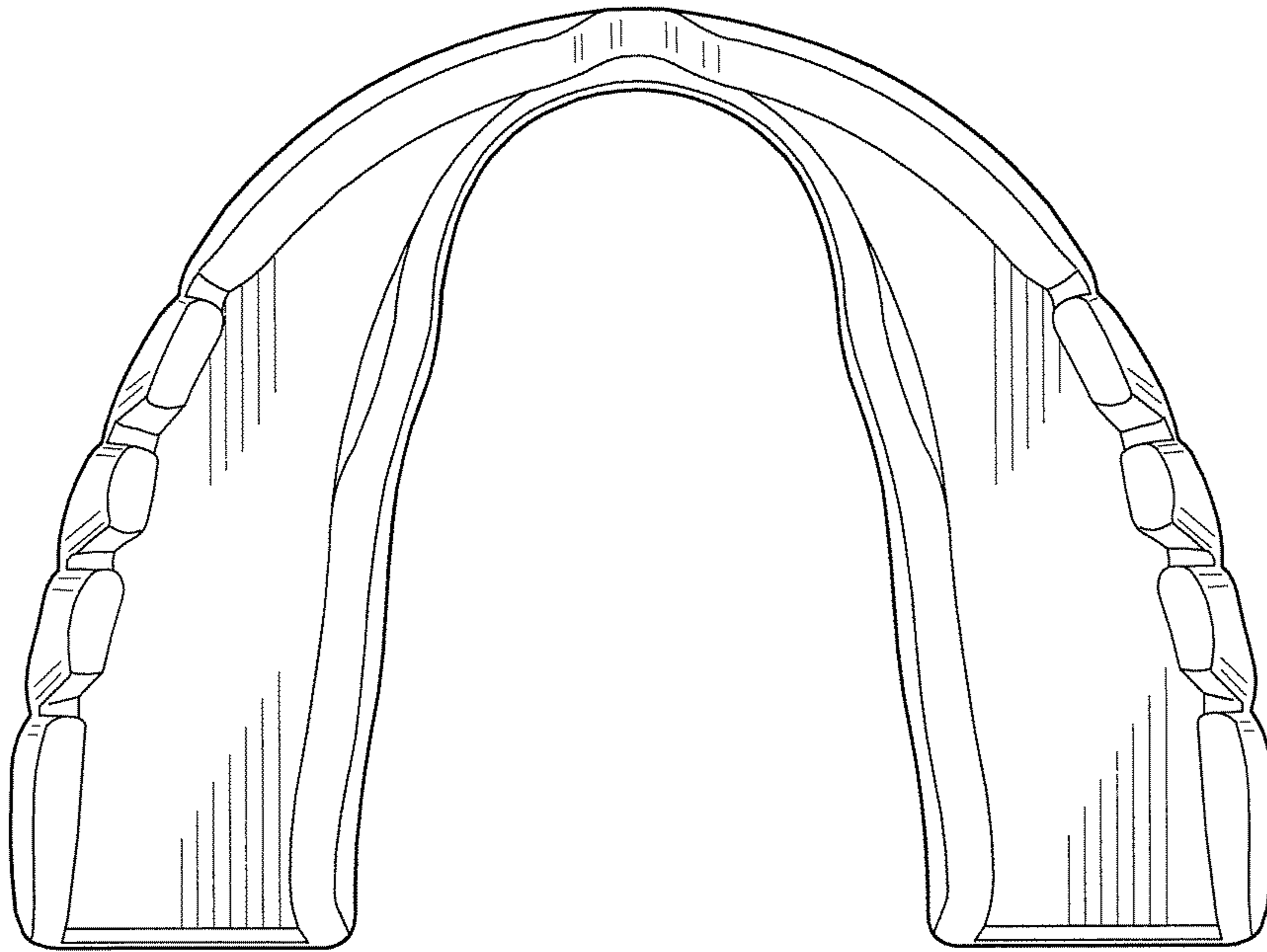


Figure 5

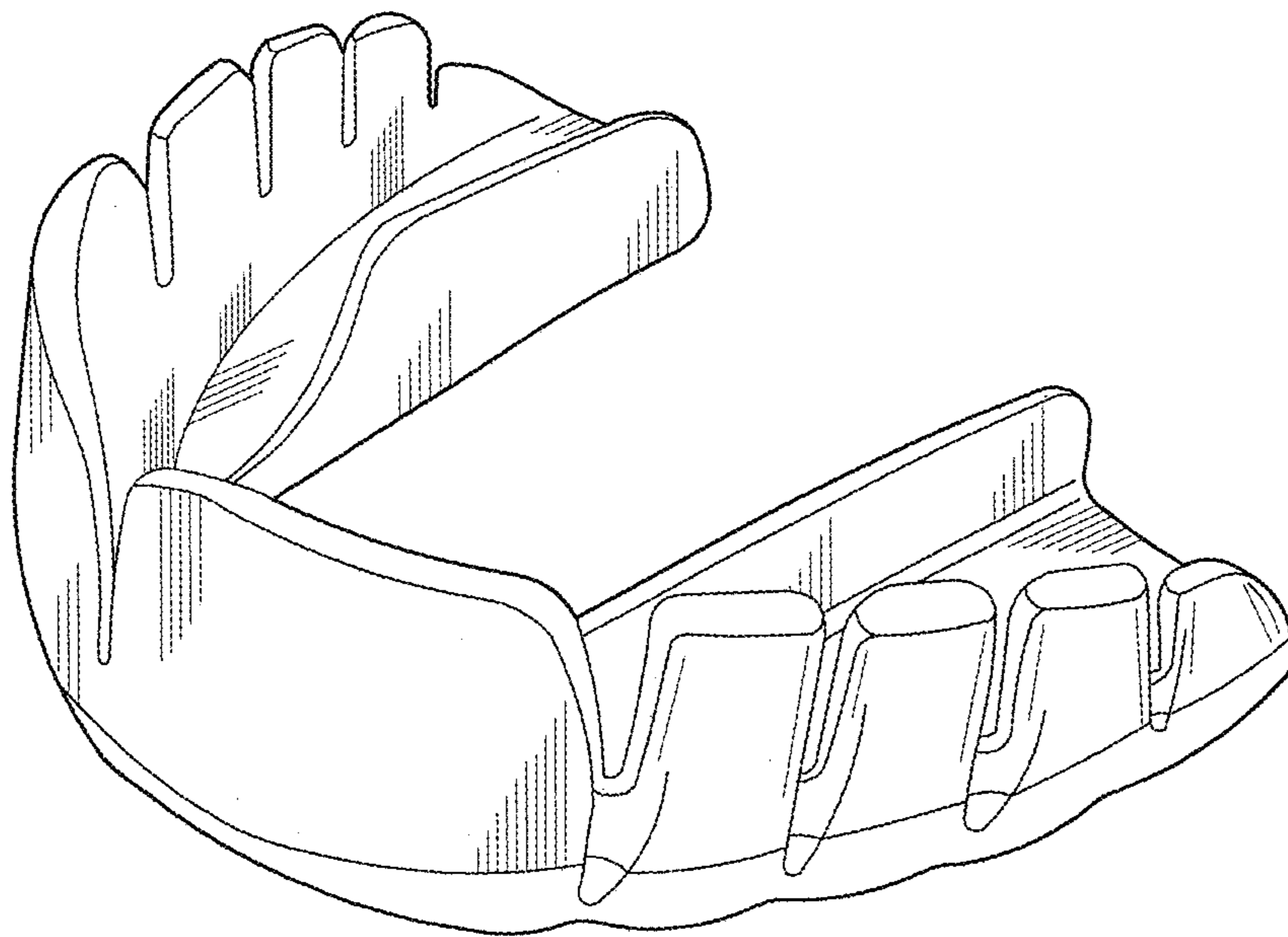


Figure 6