



US00D752293S

(12) **United States Design Patent**
Lee

(10) **Patent No.:** **US D752,293 S**
(45) **Date of Patent:** **** Mar. 22, 2016**

- (54) **HAIR EXTENSION CLIP**
- (71) Applicant: **Chang Moo Lee**, Moonachie, NJ (US)
- (72) Inventor: **Chang Moo Lee**, Moonachie, NJ (US)
- (**) Term: **14 Years**
- (21) Appl. No.: **29/513,286**
- (22) Filed: **Dec. 30, 2014**
- (51) **LOC (10) CL.** **28-03**
- (52) **U.S. Cl.**
USPC **D28/93**
- (58) **Field of Classification Search**
USPC D28/21-34, 39-43, 92, 93; 132/101,
132/126, 128-131, 144, 148, 219, 275-284
CPC A41G 3/0033; A41G 3/00
See application file for complete search history.

- 5,137,037 A * 8/1992 Mochizuki A41G 3/0033
132/53
- D356,398 S * 3/1995 Hafid D28/92
- D622,004 S * 8/2010 Umezu D28/39
- D630,801 S * 1/2011 Umezu D28/39

* cited by examiner

Primary Examiner — Zenia Bennett

(74) *Attorney, Agent, or Firm* — Michael J. Feigin, Esq.;
Feigin & Associates, LLC

(57) **CLAIM**

The ornamental design for the hair extension clip, as shown and described.

DESCRIPTION

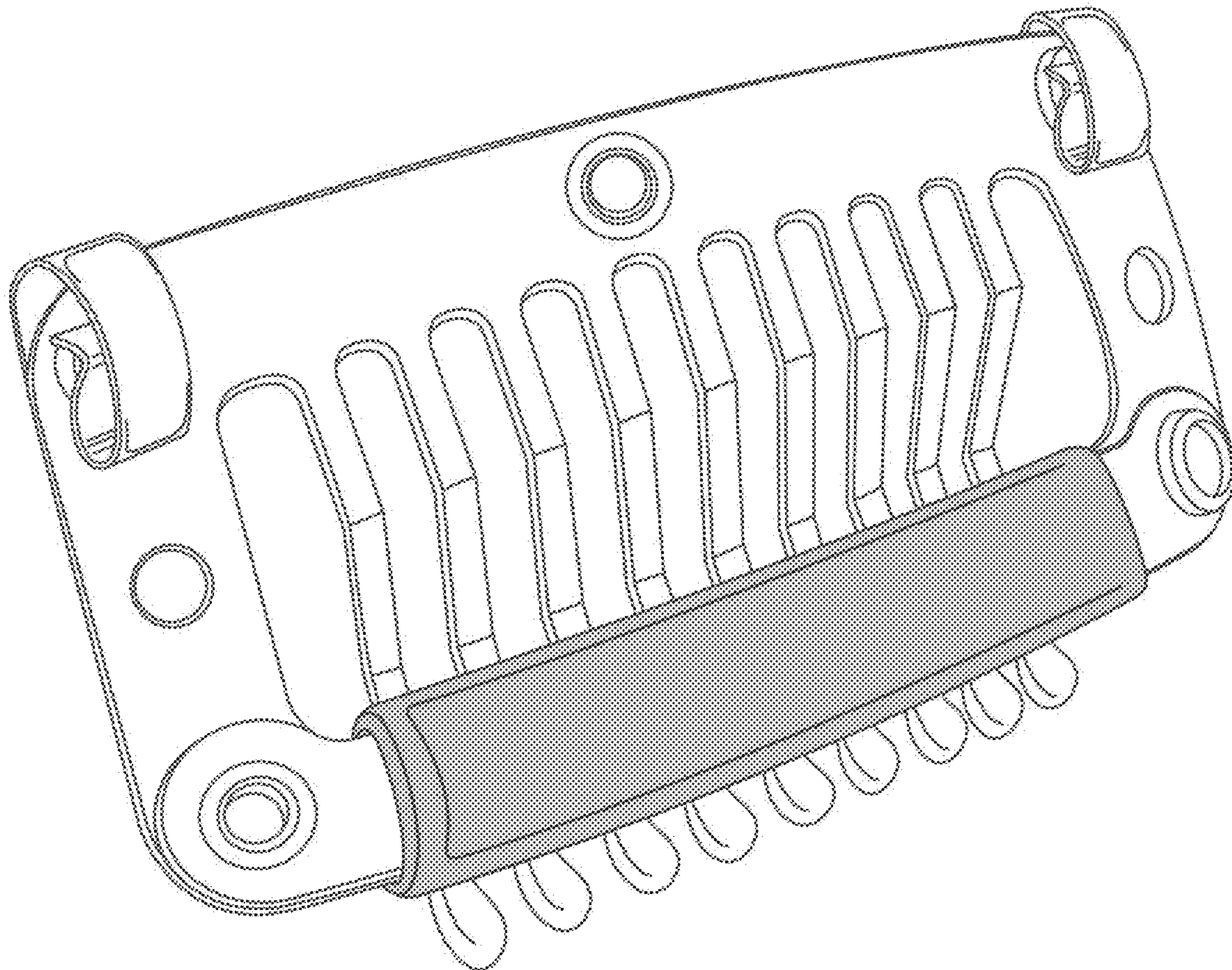
FIG. 1 shows a top view of the hair extension clip.
 FIG. 2 shows a bottom view thereof.
 FIG. 3 shows a front view thereof.
 FIG. 4 shows a back view thereof.
 FIG. 5 shows a side view thereof, the opposite side being a mirror image thereof.
 FIG. 6 shows a top perspective view thereof; and,
 FIG. 7 shows a bottom perspective view thereof.

(56) **References Cited**

U.S. PATENT DOCUMENTS

- D279,931 S * 7/1985 Nemoto D28/93
- D284,318 S * 6/1986 Nemoto D28/39
- D286,687 S * 11/1986 Nemoto D28/93

1 Claim, 7 Drawing Sheets



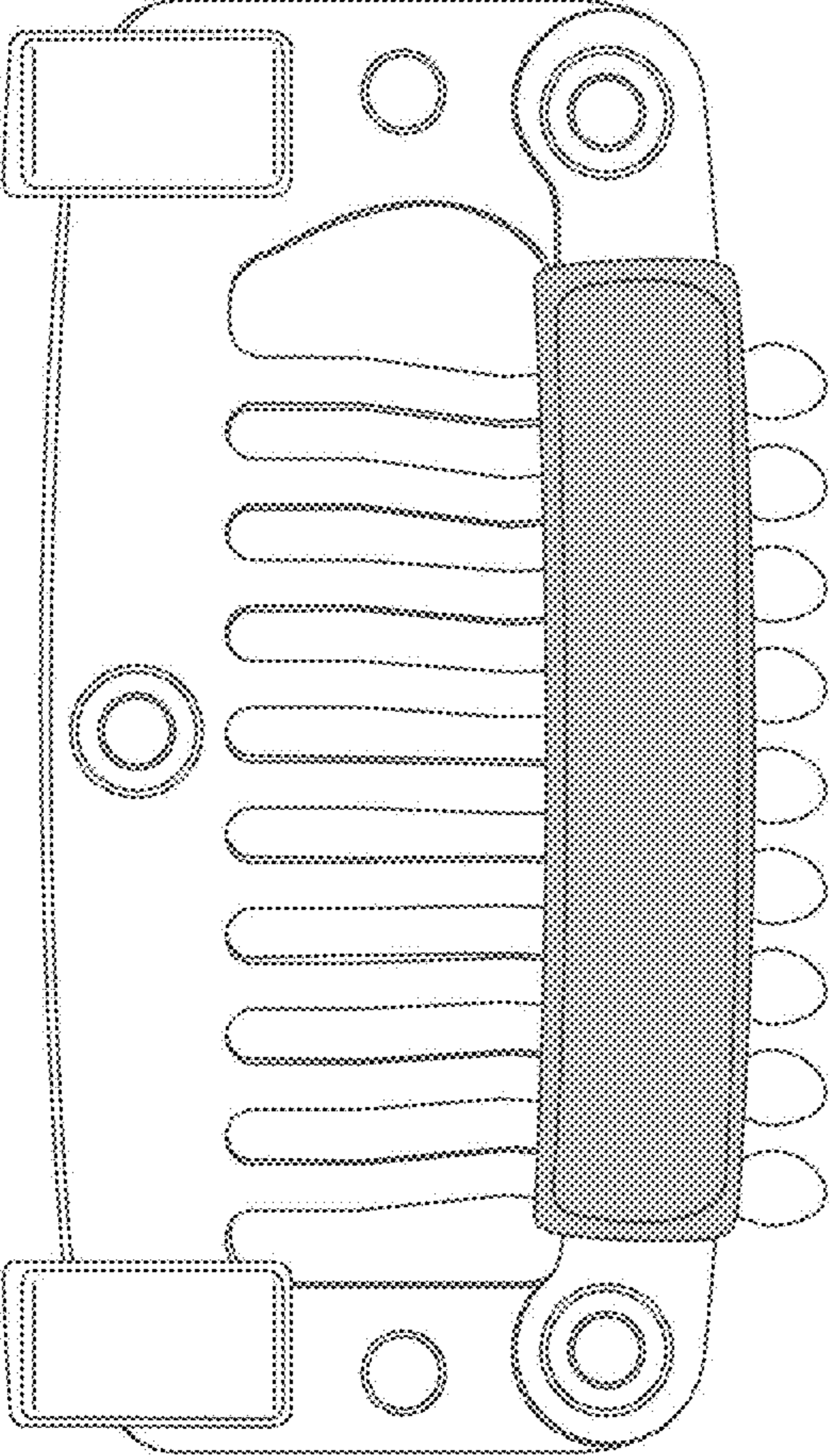


Figure 1

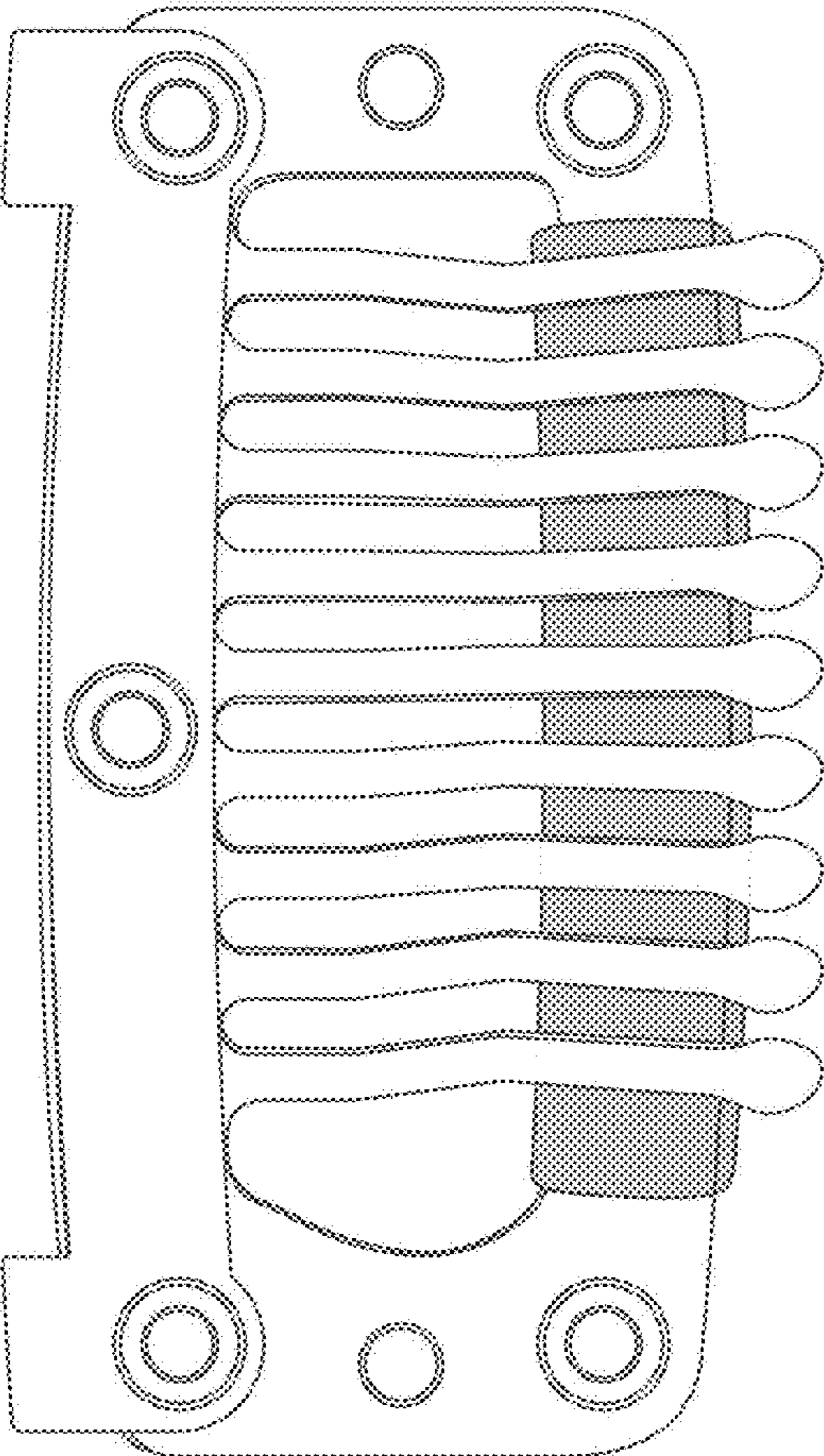


Figure 2

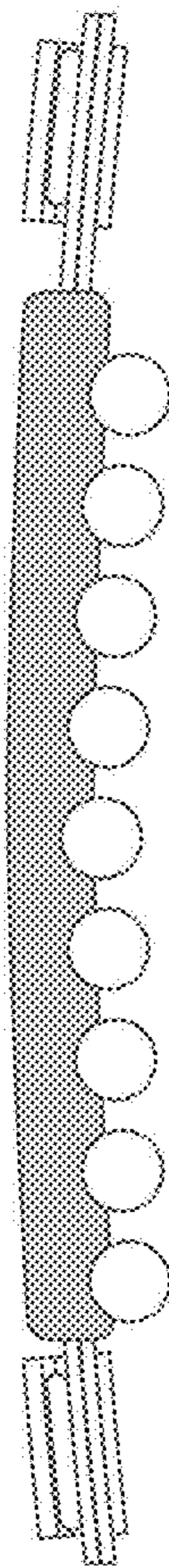


Figure 3

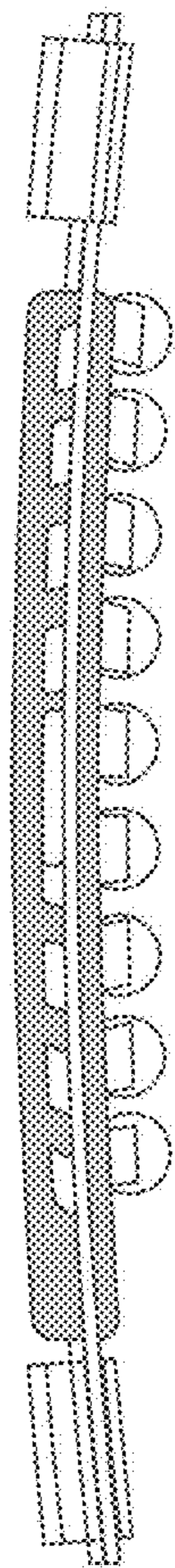


Figure 4

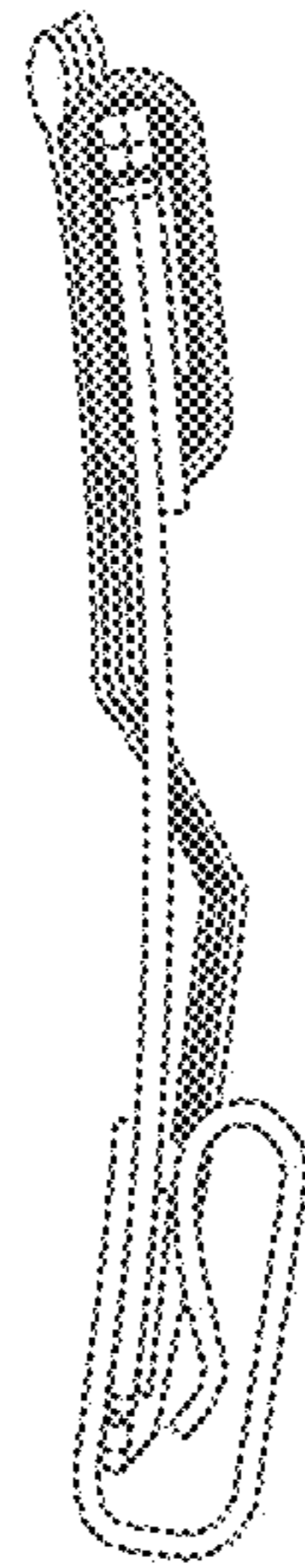


Figure 5

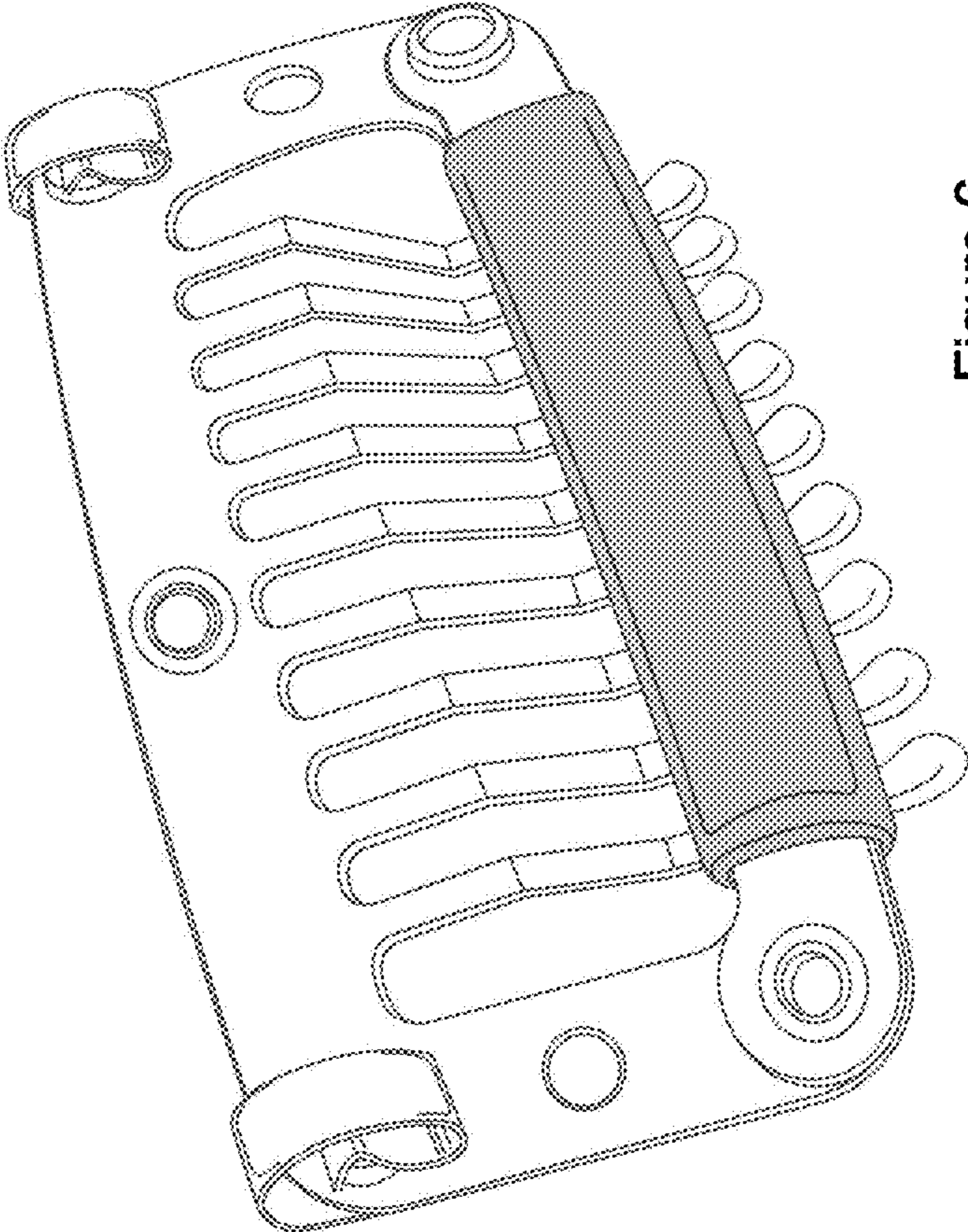


Figure 6

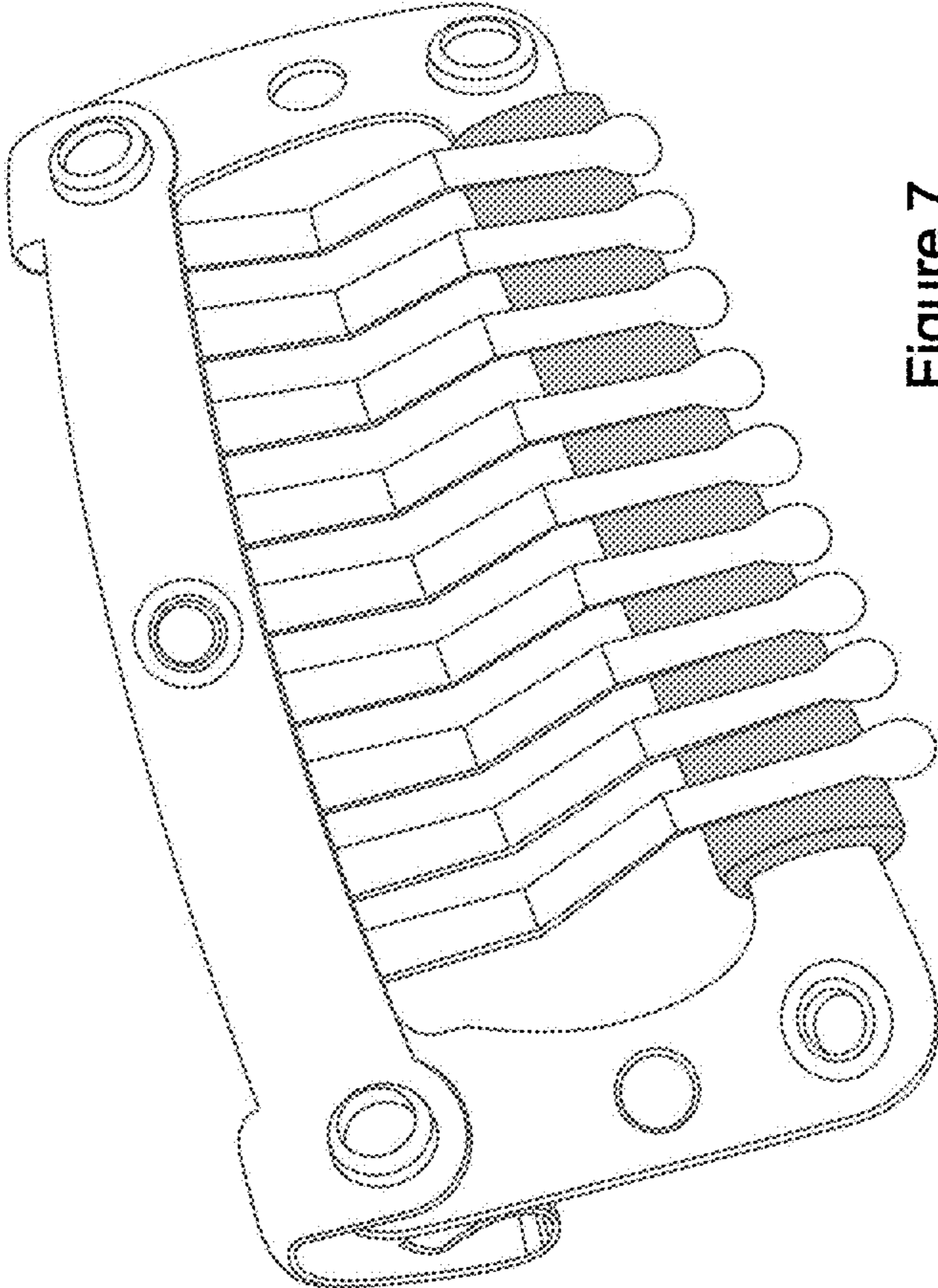


Figure 7