



US00D752290S

(12) **United States Design Patent**
Beilman et al.(10) **Patent No.:** **US D752,290 S**(45) **Date of Patent:** **** Mar. 22, 2016**(54) **COSMETICS CASE**(71) Applicants: **Debra Beilman**, Aventura, FL (US);
Florencia Crosa, North Miami, FL
(US); **Bea Moreno**, Davie, FL (US)(72) Inventors: **Debra Beilman**, Aventura, FL (US);
Florencia Crosa, North Miami, FL
(US); **Bea Moreno**, Davie, FL (US)(**) **Term:** **14 Years**(21) **Appl. No.:** **29/495,144**(22) **Filed:** **Jun. 27, 2014**(51) **LOC (10) Cl.** **28-03**(52) **U.S. Cl.**
USPC **D28/73**; D28/82; D3/284; D3/275;
D3/901; D3/295(58) **Field of Classification Search**USPC D28/76, 78, 83, 82, 85, 86, 77, 64.3;
D3/273, 275, 276, 282, 284, 288, 290,
D3/292, 294, 295, 296, 297, 299, 301, 302,
D3/903, 901, 303
CPC B65D 85/72; A45D 40/24; A45D 40/00;
A45D 40/18; A45D 40/22; A45D 33/00;
A45D 33/03; A45D 33/006; A45D 33/008;
A45D 33/20; A45D 2040/0012

See application file for complete search history.

(56) **References Cited****U.S. PATENT DOCUMENTS**1,414,899 A 5/1922 Sabatelli
1,592,457 A 7/1926 Greenberg
2,003,824 A 6/1935 Cavalero
2,084,292 A 6/1937 Steiner
D108,590 S 2/1938 Zell
2,117,140 A 5/1938 Bowen
D111,177 S 9/1938 Gamble
2,278,866 A 4/1942 Dell'Elba
D139,428 S 11/1944 Morris
2,570,314 A 10/1951 Brand
2,649,799 A 8/1953 Spertus2,916,841 A 12/1959 Denis
D230,773 S 3/1974 Arnold
3,921,649 A 11/1975 Milbrath
4,526,273 A 7/1985 Tsuji et al.
4,574,944 A 3/1986 Gregory
D293,724 S 1/1988 Kingsford et al.
D308,756 S 6/1990 Turner
D321,284 S 11/1991 Marsella et al.
D342,156 S 12/1993 Turner
D344,412 S 2/1994 Barnhart

(Continued)

FOREIGN PATENT DOCUMENTS

GB 2363712 A 1/2002

OTHER PUBLICATIONSCameo Cosmetics. "M229 Train Case". Accessed Nov. 2, 2015.
(<http://www.cameocosmetics.com/m229-train-case/>).*

(Continued)

Primary Examiner — Jennifer Rivard*Assistant Examiner* — April Rivas(74) *Attorney, Agent, or Firm* — Malloy & Malloy, P.L.(57) **CLAIM**The ornamental design for cosmetics case, as shown and
described.**DESCRIPTION**FIG. 1 is a front perspective view illustrating my design for a
cosmetics case;

FIG. 2 is a front elevation view thereof;

FIG. 3 is a left side view thereof;

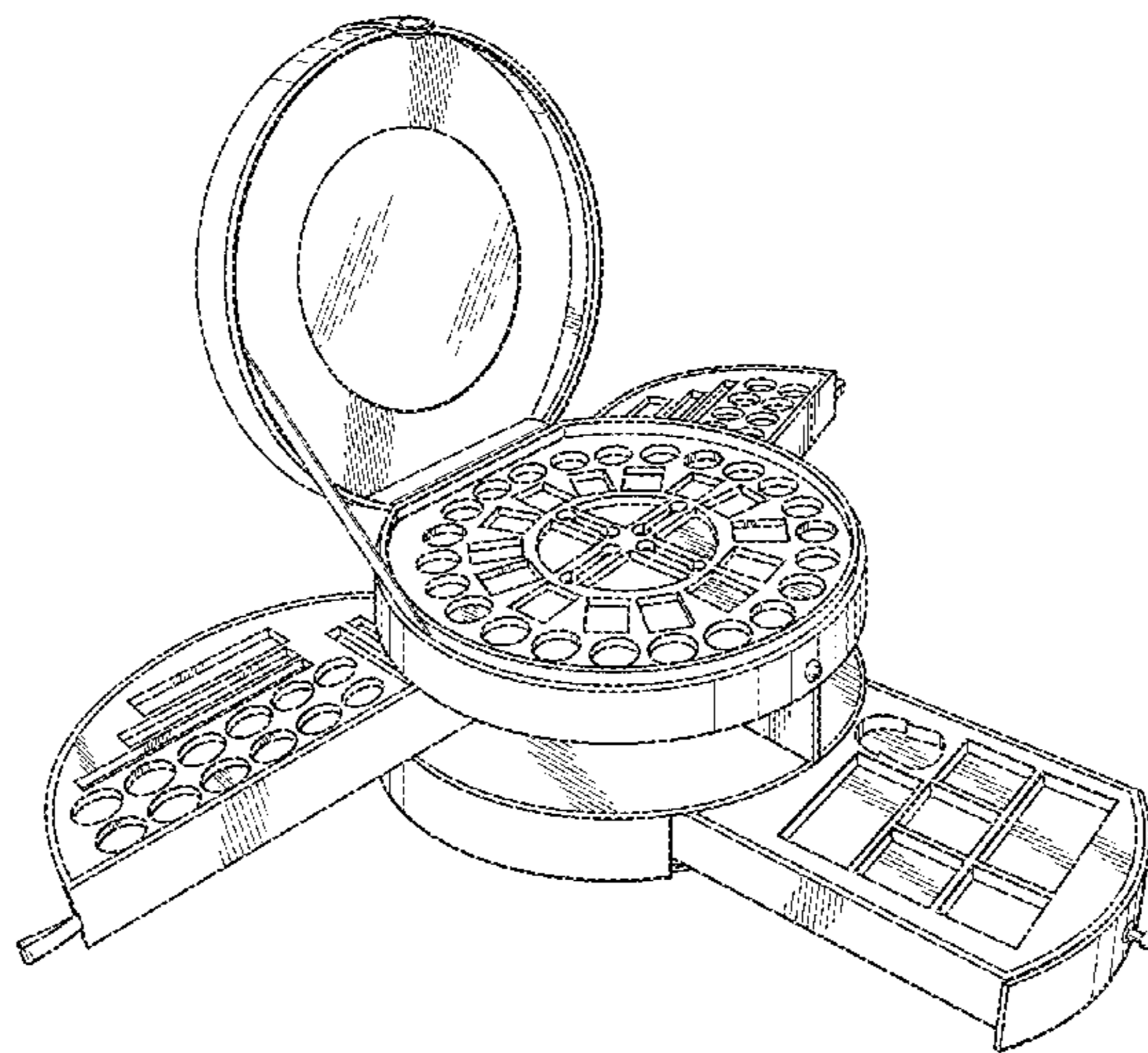
FIG. 4 is a top view thereof;

FIG. 5 is a right side view thereof;

FIG. 6 is a bottom view thereof;

FIG. 7 is a rearview thereof; and,

FIG. 8 is a front perspective view in closed orientation.

The broken lines illustrate stitching on the cosmetics case and
form no part of the claimed design.**1 Claim, 8 Drawing Sheets**

(56)

References Cited

U.S. PATENT DOCUMENTS

5,363,969 A 11/1994 Shen
 5,813,420 A 9/1998 Sussman
 D411,648 S 6/1999 Markham
 D413,627 S 9/1999 Gray
 D417,783 S 12/1999 Wolf
 D444,596 S * 7/2001 Lai D28/82
 6,349,494 B1 2/2002 Haggarty-Robbins
 D455,550 S * 4/2002 Wolf D3/275
 D457,687 S 5/2002 Millar
 D467,428 S 12/2002 Wolf
 D471,010 S * 3/2003 Wolf D3/294
 D475,197 S 6/2003 Stoddard
 D475,811 S 6/2003 Bontempo
 D480,211 S * 10/2003 Wolf D3/276
 D485,018 S 1/2004 Beilman
 D485,067 S 1/2004 Wolf
 D485,682 S 1/2004 Wolf
 D493,919 S 8/2004 Beilman
 D510,189 S 10/2005 Greiner
 D517,737 S * 3/2006 Lai D28/82
 D524,989 S * 7/2006 Lombardi D28/82
 D527,521 S * 9/2006 Sijmons D3/276
 D542,475 S 5/2007 Martinez
 D577,196 S * 9/2008 Hayden D3/286
 D614,814 S 4/2010 Lin

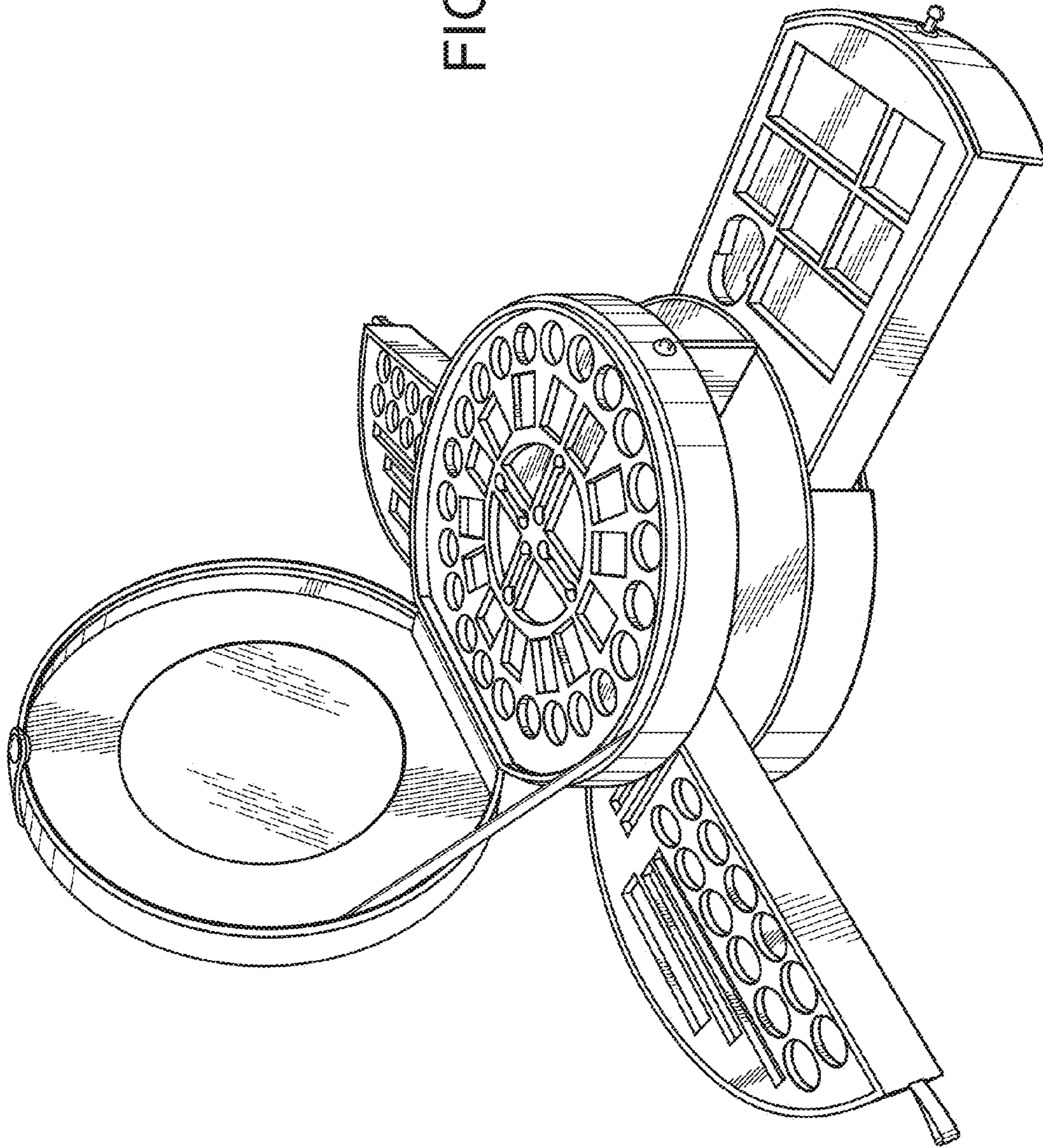
D631,201 S 1/2011 Lai
 D657,915 S * 4/2012 Lai D28/83
 D671,742 S 12/2012 Cenzano et al.
 D687,187 S 7/2013 Lai
 D688,006 S * 8/2013 Lai D28/73
 D688,831 S 8/2013 Giardina
 D692,183 S 10/2013 Lai
 D723,794 S 3/2015 Lai
 D728,860 S * 5/2015 Blanch D28/82
 D734,549 S 7/2015 Waller
 D735,993 S * 8/2015 Koepke D3/284
 2004/0003825 A1 1/2004 Kelly
 2007/0235056 A1 10/2007 Vintimiglia et al.
 2014/0299151 A1 10/2014 Stroud

OTHER PUBLICATIONS

Google image search. "Ultra Sparkle Shine Kit", Accessed Nov. 2, 2015. (https://www.google.com/search?q=ultra+sparkle+shine+kit&es_sm=122&source=lnms&tbn=isch&sa=X&ved=0CAgQ_AUoAmoVChMlu4T-5Y_yyAlVgWomCh0mWgkD&biw=1920&bih=1067#imgrc=uWr-Z3gEyjn0MM%3A).*
 The Cosmetic Center Advertising Circular, 1991, second page Item Q on lower left.
 Hong Kong Enterprise Jun. 1993, p. 202: Item No. G902OB.
 Hong Kong Enterprise Oct. 1994, p. 760: Item No. M17D.

* cited by examiner

FIG. 1



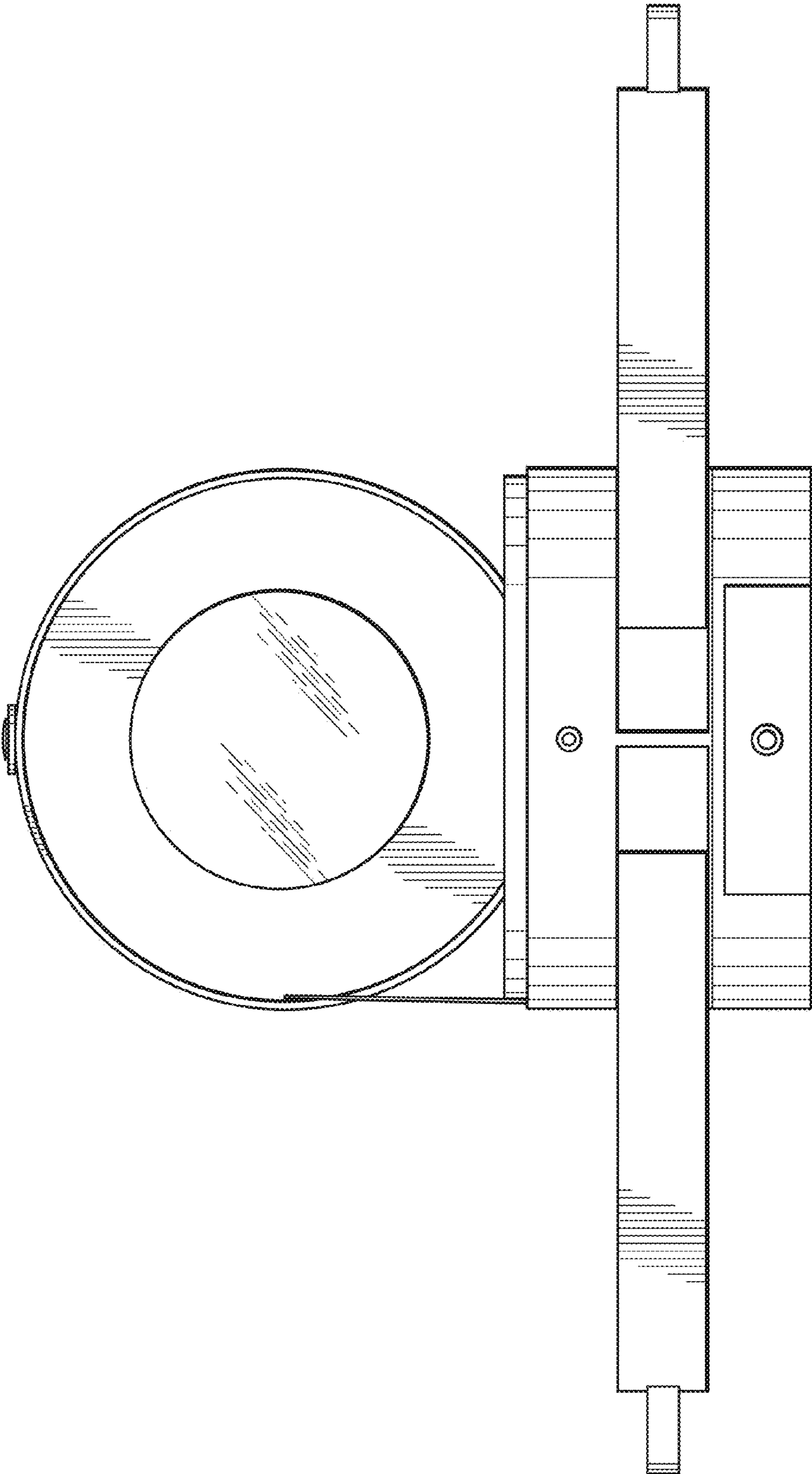


FIG. 2

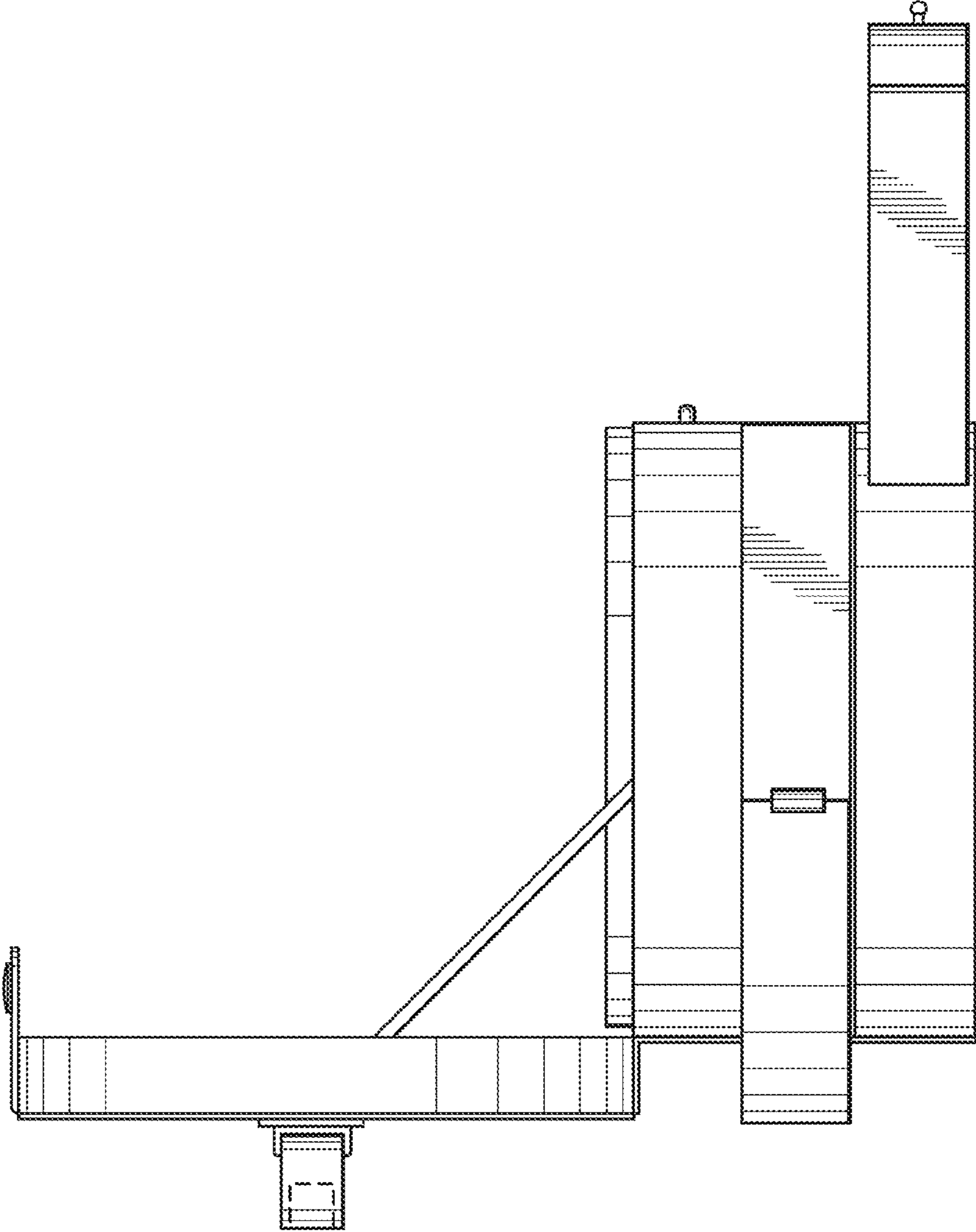


FIG. 3

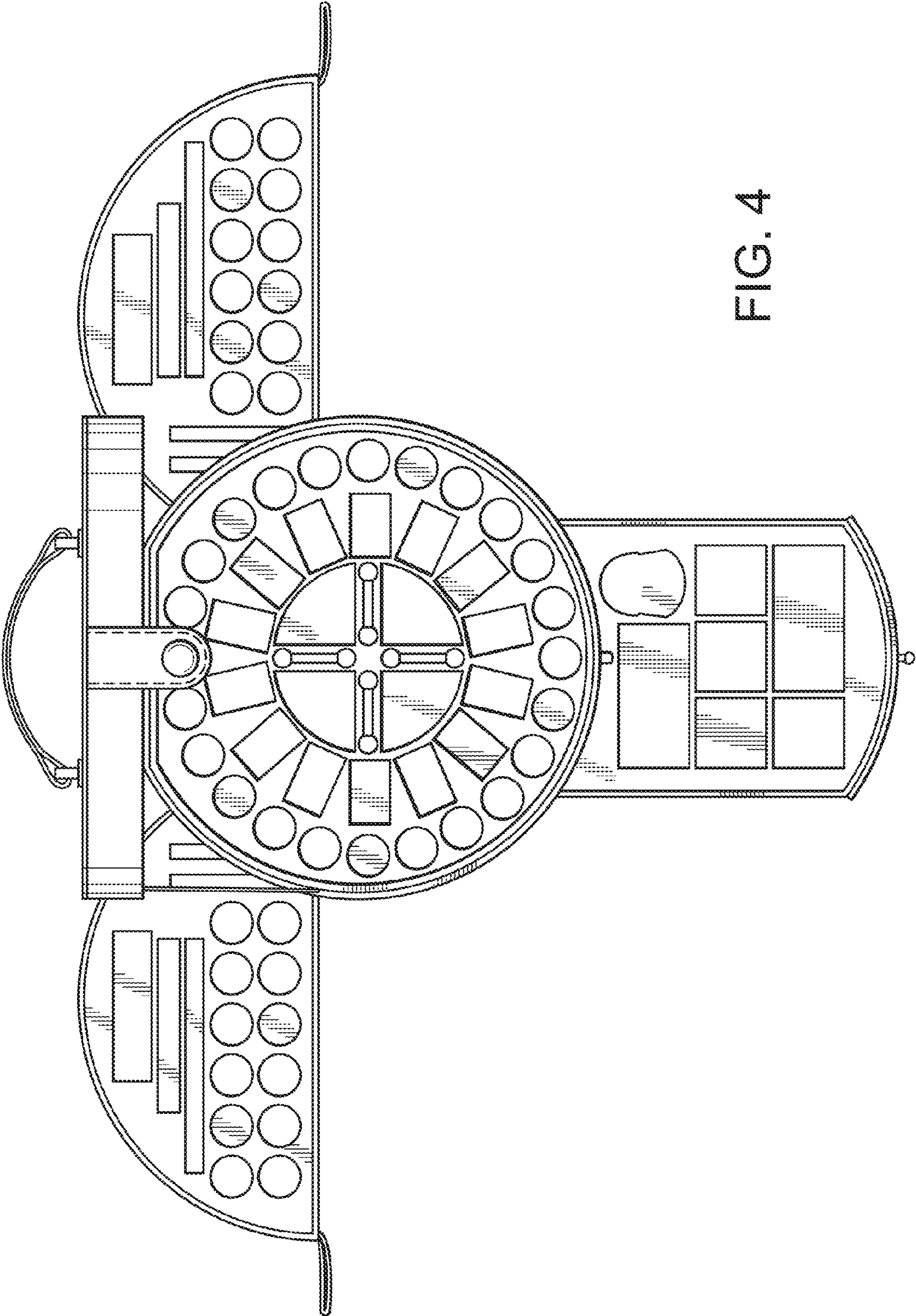


FIG. 4

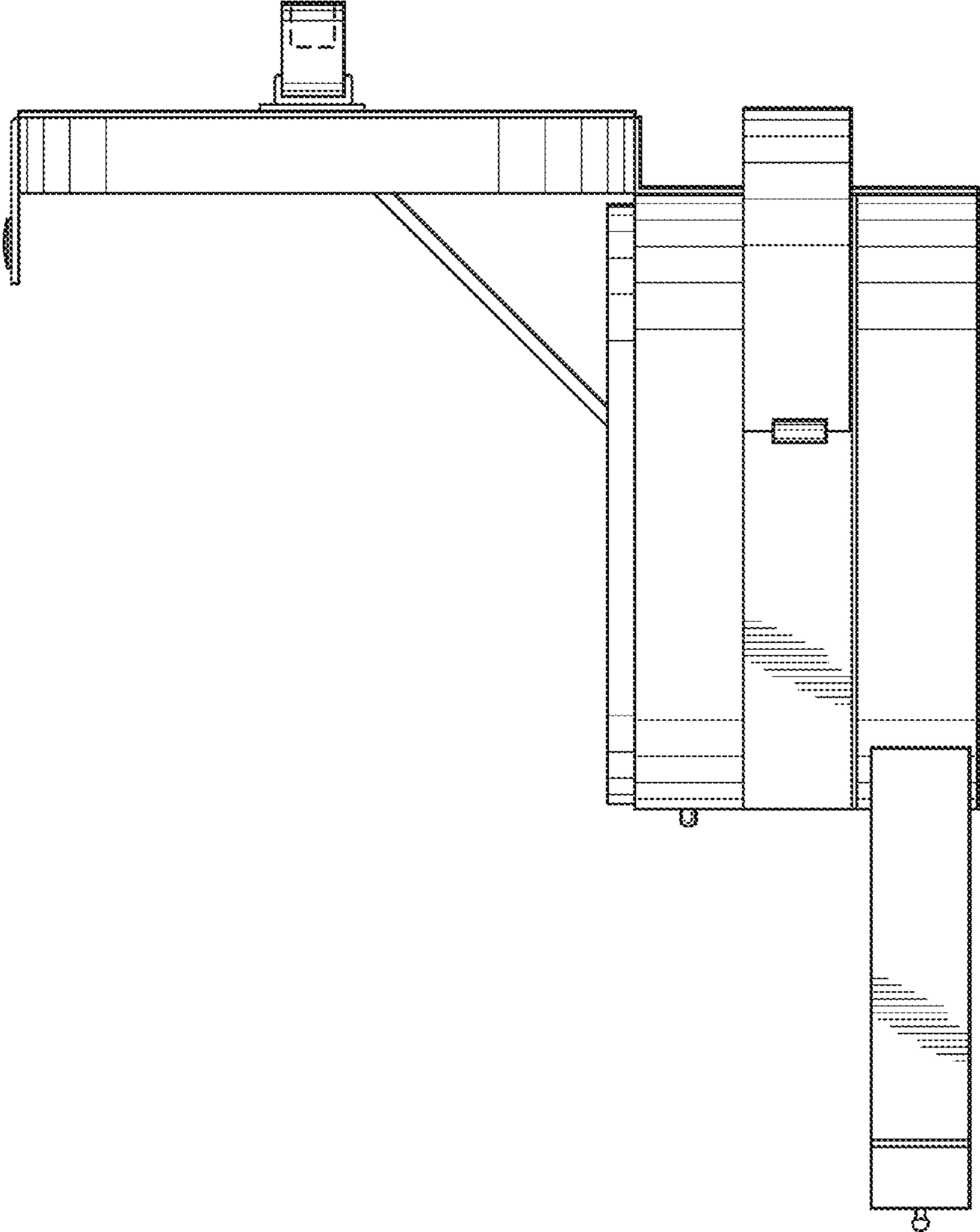


FIG. 5

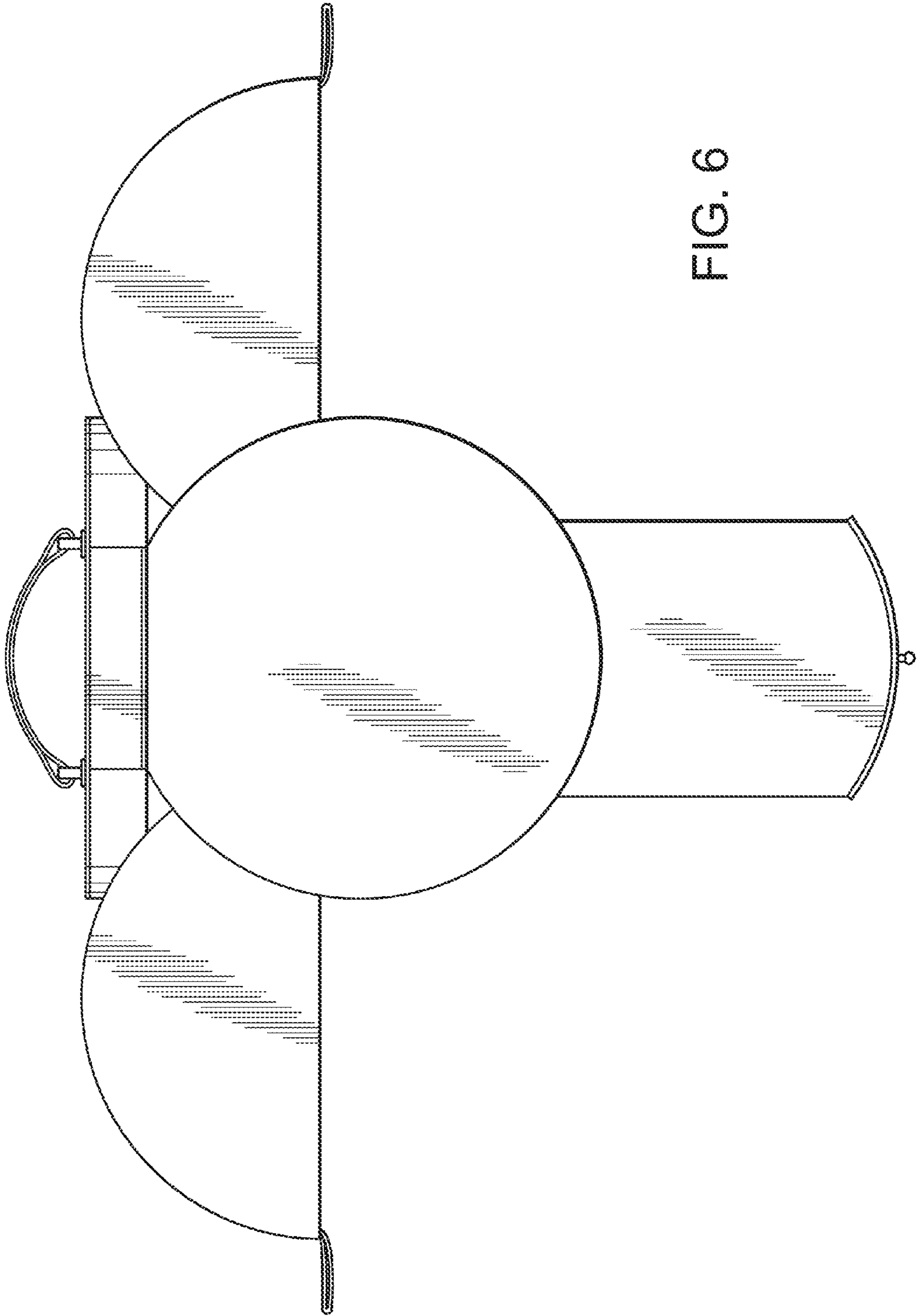


FIG. 6

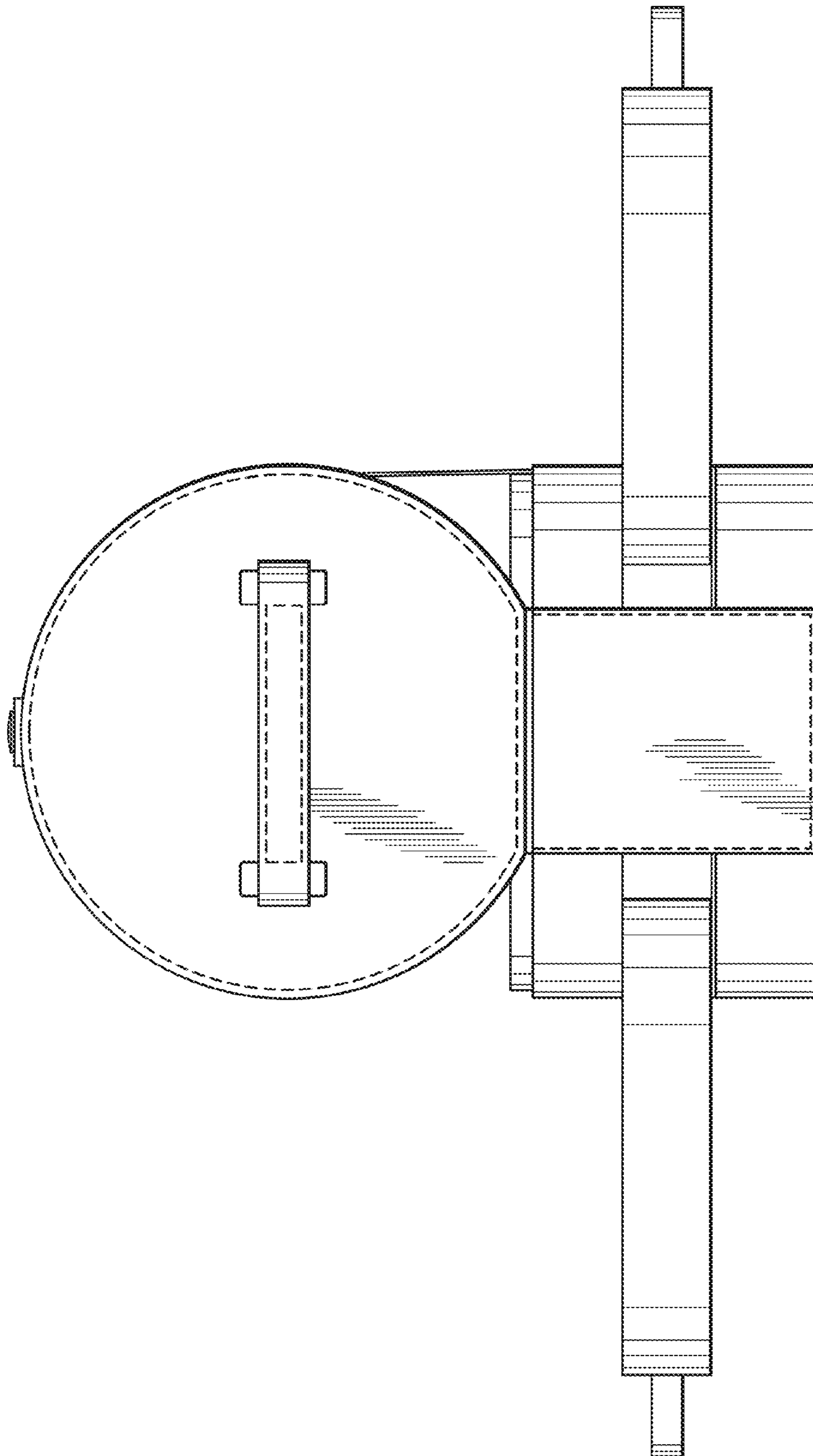


FIG. 7

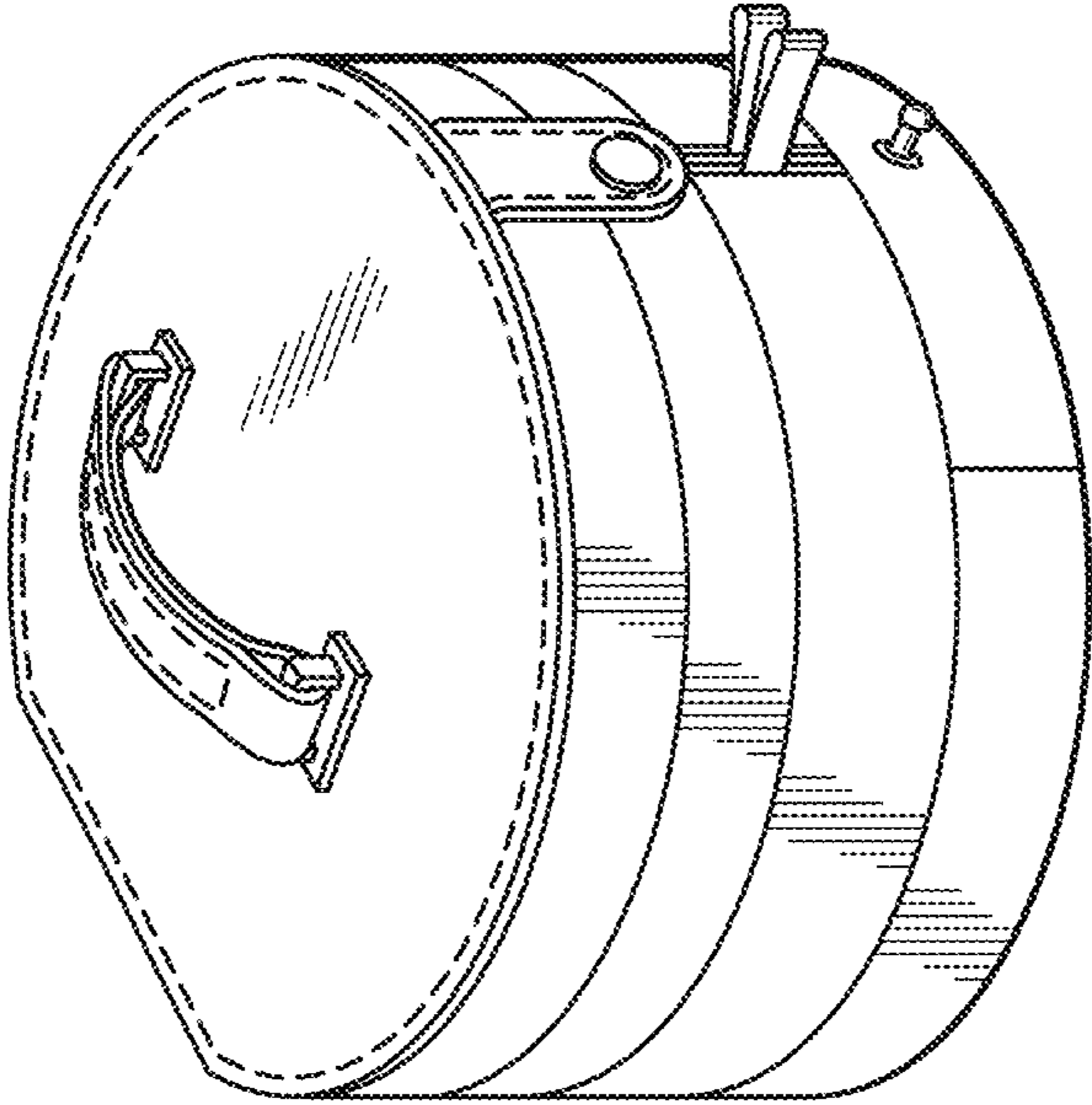


FIG. 8