



US00D752288S

(12) **United States Design Patent**
Crawford et al.

(10) **Patent No.:** **US D752,288 S**
(45) **Date of Patent:** **** Mar. 22, 2016**

- (54) **SOAP BAR**
- (71) Applicant: **COLGATE-PALMOLIVE COMPANY**, New York, NY (US)
- (72) Inventors: **John C. Crawford**, Mahopac, NY (US);
Kiat-Cheong Toh, Forest Hills, NY (US)
- (73) Assignee: **COLGATE-PALMOLIVE COMPANY**, New York, NY (US)
- (**) Term: **14 Years**
- (21) Appl. No.: **29/501,342**
- (22) Filed: **Sep. 3, 2014**
- (51) **LOC (10) Cl.** **28-02**
- (52) **U.S. Cl.**
USPC **D28/8.1**
- (58) **Field of Classification Search**
USPC 510/141, 147, 148; D28/8.1-8.2
CPC C11D 17/00; C11D 17/0017; C11D
17/0026; C11D 17/0047-17/0095; C11D
13/16; C11D 13/18; C11D 13/20; C11D
17/02
See application file for complete search history.

- D348,540 S * 7/1994 Crawford D28/8.1
- D348,541 S * 7/1994 Crawford
- D349,781 S * 8/1994 Crawford D28/8.1
- D351,683 S * 10/1994 Crawford D28/8.1
- D351,923 S * 10/1994 Crawford D28/8.1
- D352,364 S * 11/1994 Dietz D28/8.1
- D356,474 S * 3/1995 Chow
- 6,306,814 B1 * 10/2001 Appel C11D 17/0078
510/224
- D467,385 S * 12/2002 Crawford D28/8.1
- D470,385 S * 2/2003 Chen
- D478,394 S * 8/2003 McLeish D28/8.1
- D485,943 S * 1/2004 Wong D28/8.1
- D520,186 S * 5/2006 Caroen D28/8.1
- D547,492 S * 7/2007 Caroen D28/8.1
- D560,283 S * 1/2008 Franciskovich D24/217
- D569,036 S * 5/2008 Gutfleisch D28/8.1
- 7,428,965 B2 * 9/2008 Johnson B65D 75/08
206/77.1

(Continued)

FOREIGN PATENT DOCUMENTS

- AR 81924 10/2011
- BR DI 7100077-1 10/2011

(Continued)

Primary Examiner — Jennifer Rivard

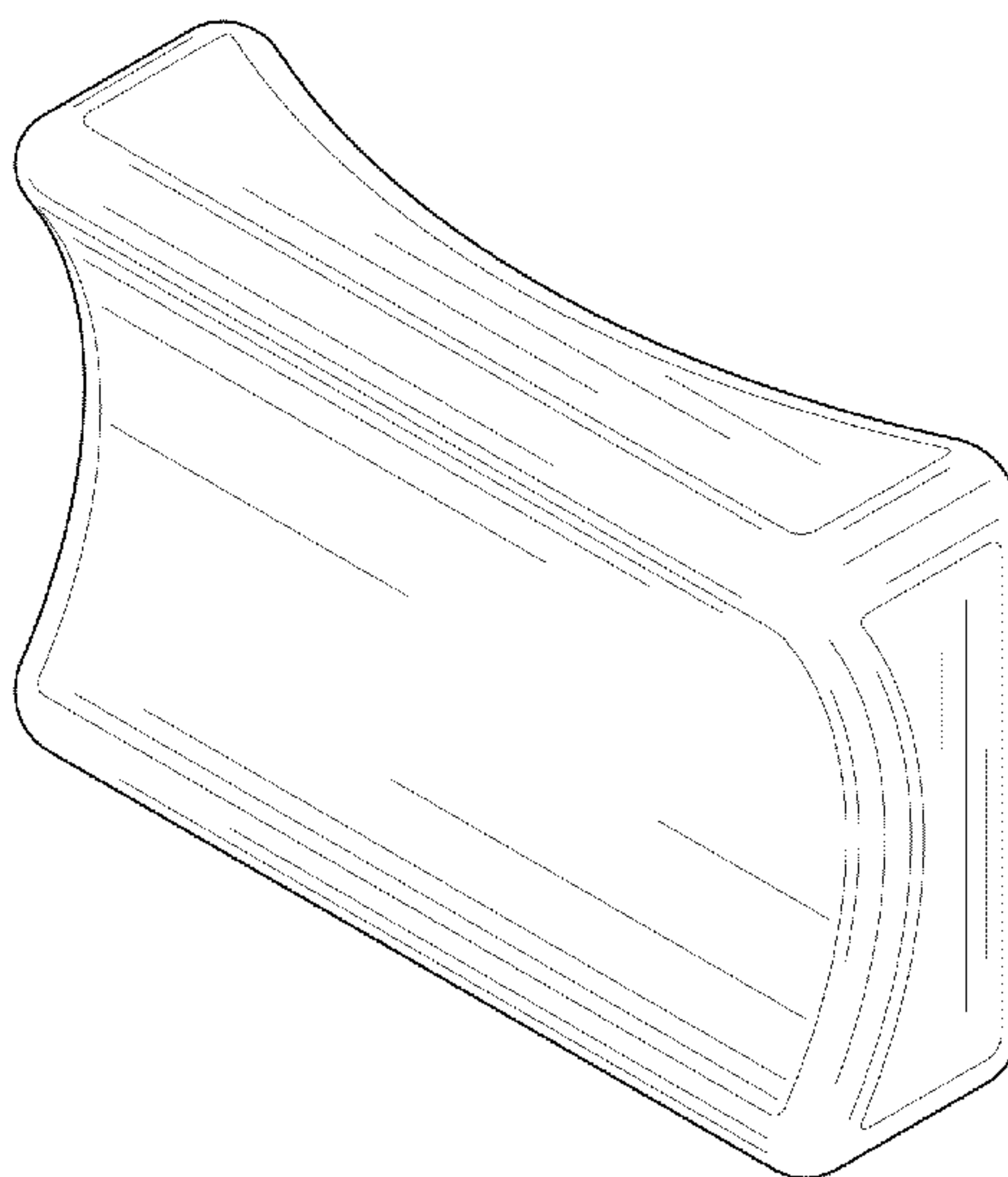
(57) **CLAIM**
The ornamental design for a soap bar, as shown and described.

DESCRIPTION

FIG. 1 is a front perspective view of a soap bar;
FIG. 2 is a rear perspective view thereof;
FIG. 3 is a front view thereof;
FIG. 4 is a rear view thereof;
FIG. 5 is a left side view thereof;
FIG. 6 is a right side view thereof;
FIG. 7 is a top plan view thereof; and,
FIG. 8 is a bottom plan view thereof.

1 Claim, 5 Drawing Sheets

- (56) **References Cited**
U.S. PATENT DOCUMENTS
D51,395 S 10/1917 Schwartzberg
D131,541 S * 3/1942 Stoner et al. D28/8.1
D201,110 S * 5/1965 Horne D24/101
D201,228 S * 5/1965 Horne D24/101
D201,229 S * 5/1965 Burke D24/101
D204,648 S 5/1966 Cliffside
D209,881 S * 1/1968 Vanderhyde D28/8.1
D210,709 S 4/1968 Douglas
D269,127 S * 5/1983 Christianson D28/8.1
D300,673 S * 4/1989 Rhoa D24/101
D301,762 S * 6/1989 Oshlack D24/103
D343,919 S * 2/1994 Crawford D28/8.1
D346,241 S * 4/1994 Crawford D28/8.1



(56)

References Cited

U.S. PATENT DOCUMENTS

D587,400 S * 2/2009 Yatsko D28/8.1
 D588,742 S * 3/2009 Sommer D28/8.1
 D613,907 S * 4/2010 Oates D28/8.1
 D624,696 S * 9/2010 Hsiao D24/125
 7,816,311 B2 * 10/2010 Feng C11D 13/14
 510/141
 7,867,964 B2 * 1/2011 McFann C11D 9/02
 510/141
 D659,283 S * 5/2012 Caboen D28/8.1
 D665,945 S * 8/2012 Macias D28/8.1
 8,303,203 B2 * 11/2012 Bahash A47K 5/08
 401/49
 2002/0077258 A1 * 6/2002 Sonnenberg C11D 13/14
 510/141
 2003/0050202 A1 * 3/2003 An C11D 17/0095
 510/141

2004/0248751 A1 * 12/2004 Johnson B65D 65/10
 510/141
 2007/0270322 A1 * 11/2007 Pak C11D 17/0047
 510/141
 2009/0192070 A1 * 7/2009 Feng C11D 13/14
 510/449
 2013/0096046 A1 * 4/2013 Liu C11D 13/08
 510/447

FOREIGN PATENT DOCUMENTS

EM	002023226-0001	4/2012
MX	16178	10/2000
WO	DM/053532	10/2000
WO	DM/075416	2/2011

* cited by examiner

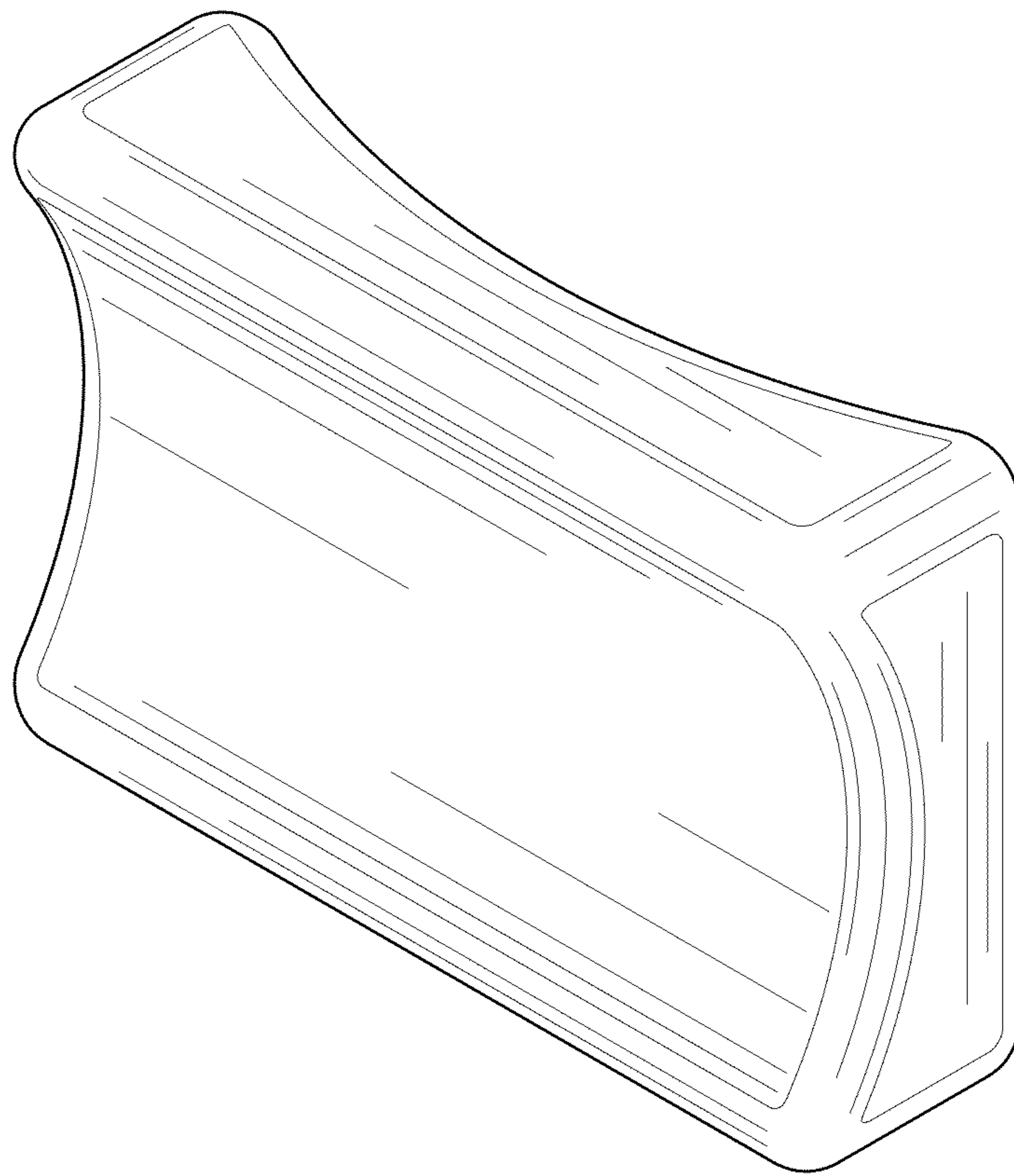


FIG. 1

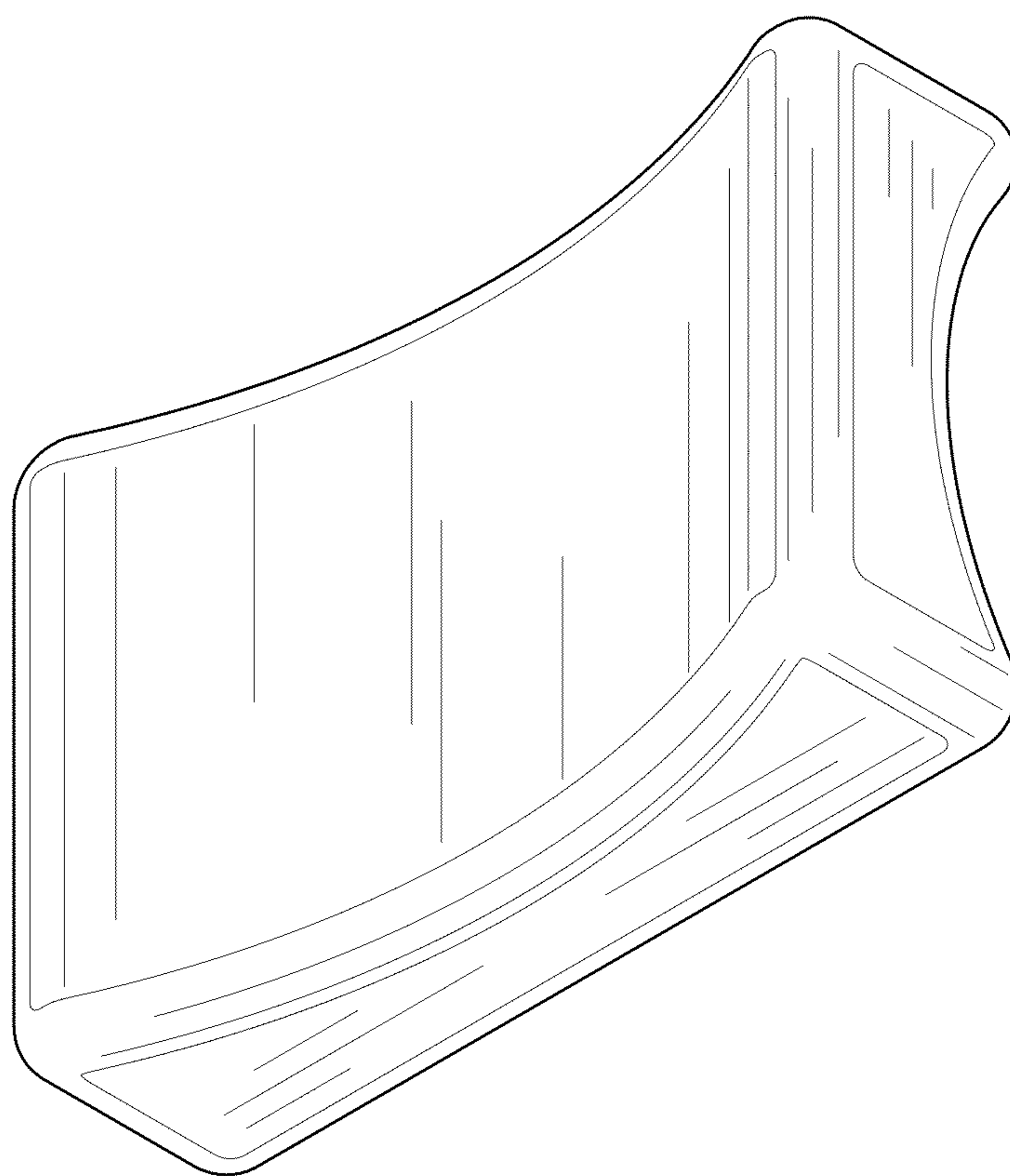


FIG. 2

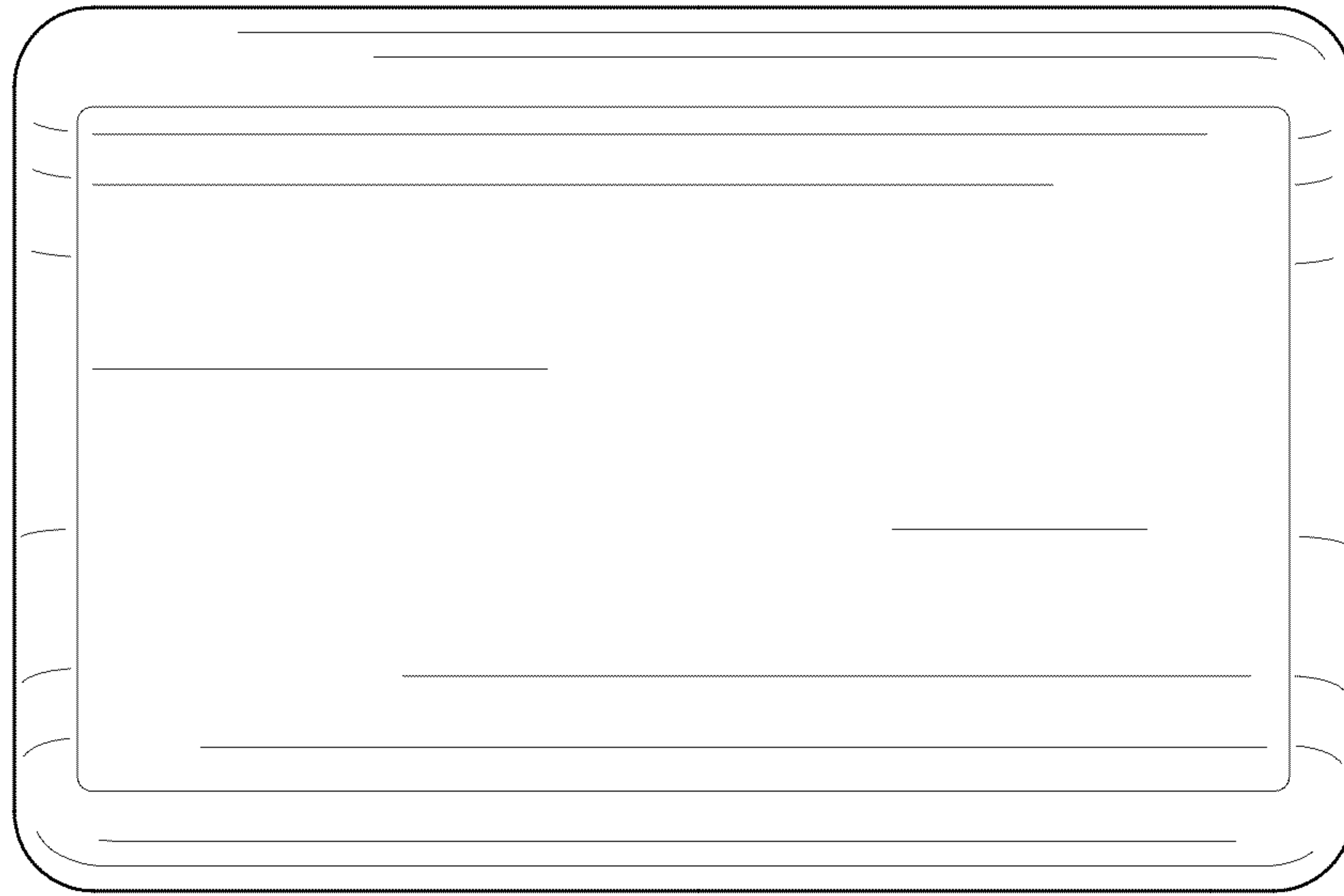


FIG. 3

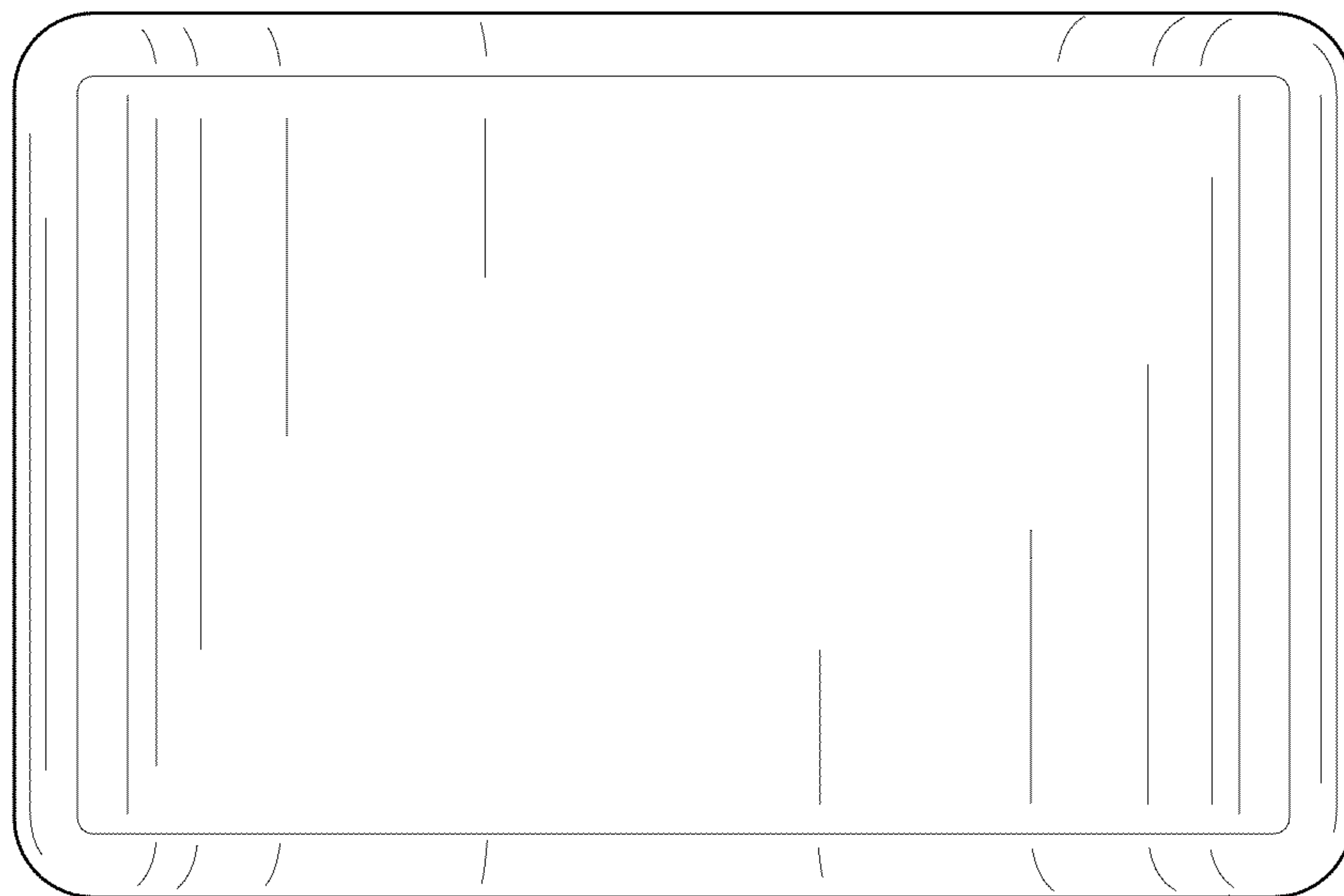


FIG. 4

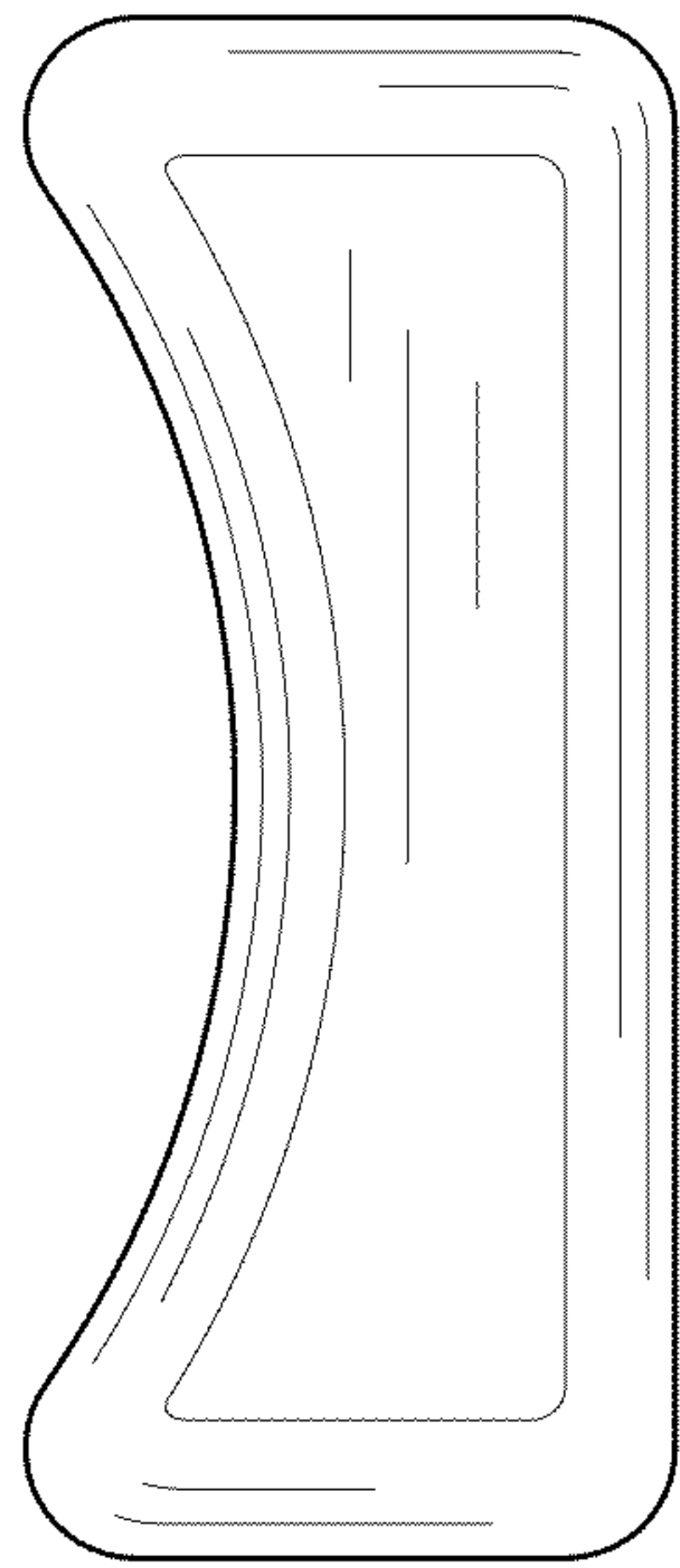


FIG. 5

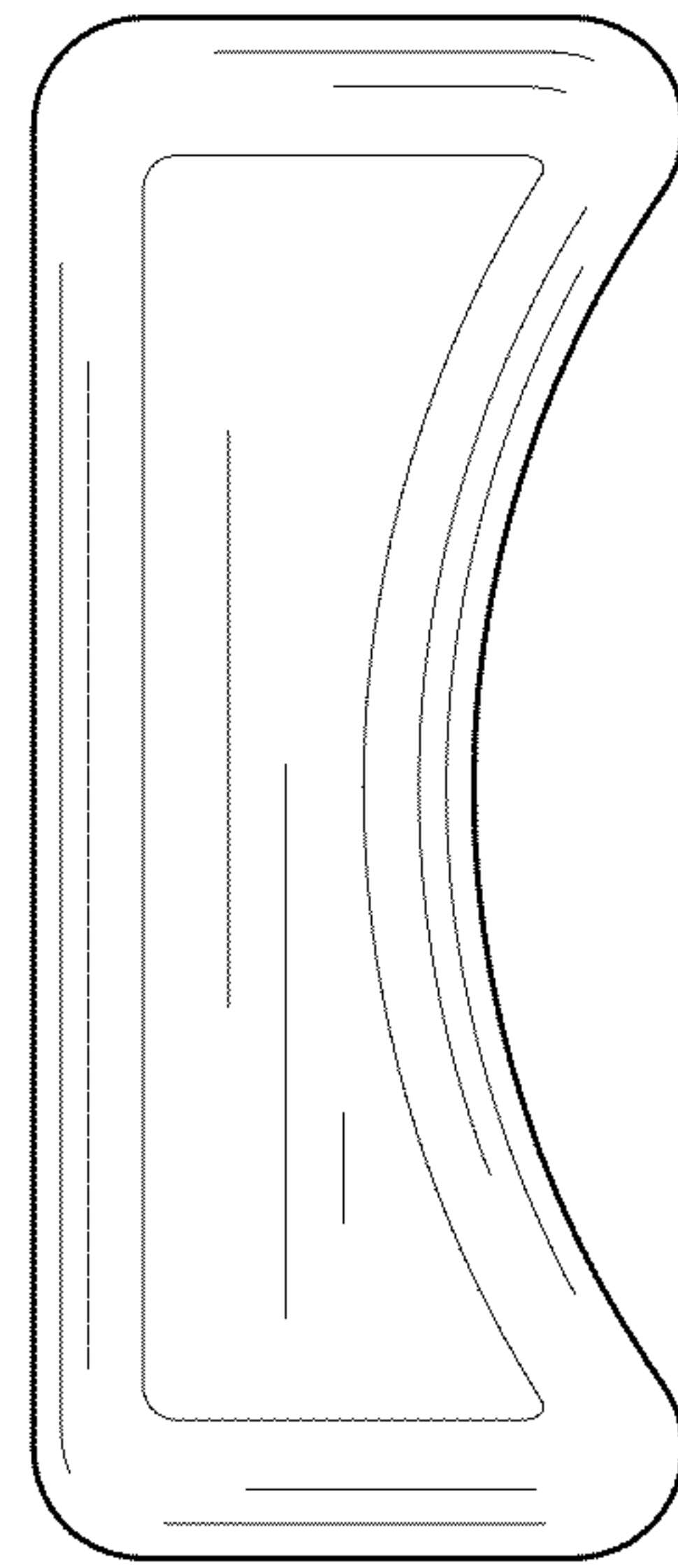


FIG. 6

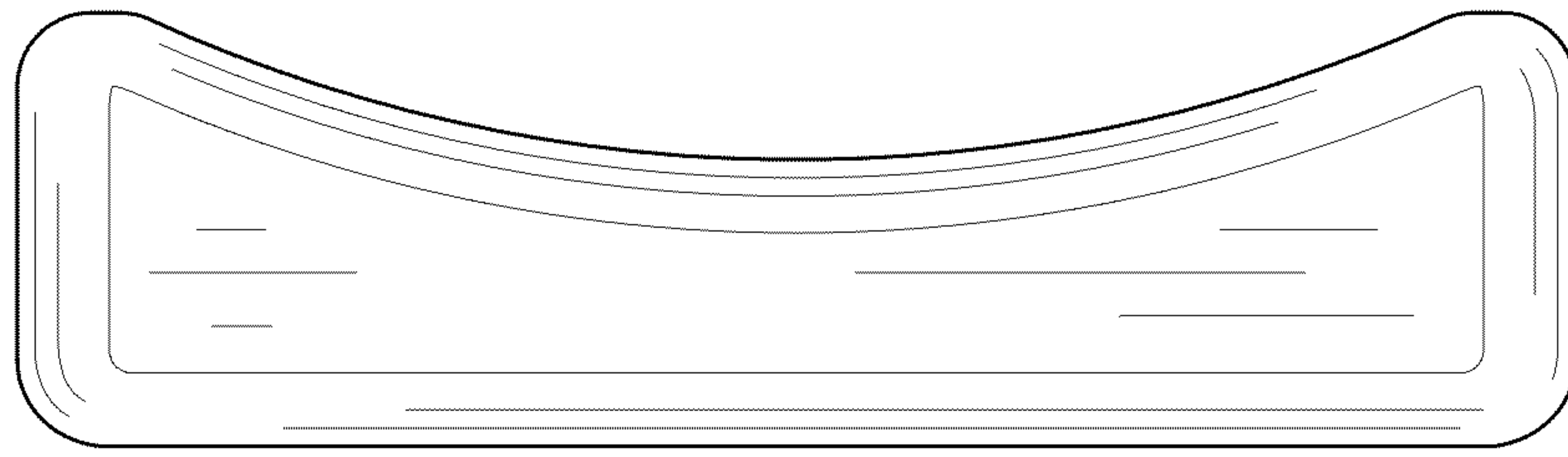


FIG. 7

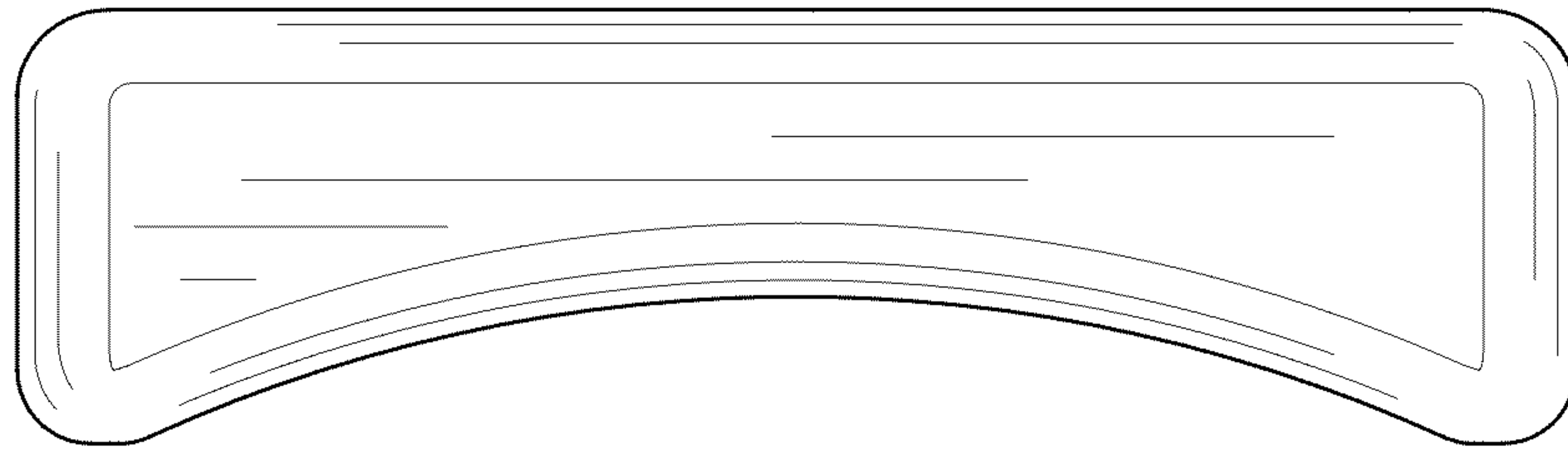


FIG. 8