



US00D752287S

(12) **United States Design Patent**
Bansal et al.

(10) **Patent No.:** **US D752,287 S**
(45) **Date of Patent:** **** Mar. 22, 2016**

(54) **APPLICATOR FOR APPLYING A LIQUID TO A SURFACE**

D504,542 S * 4/2005 Noh D28/76
6,923,983 B2 8/2005 Morgan et al.
6,945,723 B1 9/2005 Gueret

(71) Applicant: **Amneal Pharmaceuticals LLC**,
Bridgewater, NJ (US)

(Continued)

(72) Inventors: **Padam Bansal**, Bridgewater, NJ (US);
Hardik Patel, Edison, NJ (US); **David R. Schiff**, Highland Park, NJ (US);
Jason Zerweck, Media, PA (US)

FOREIGN PATENT DOCUMENTS

WO WO-2013/000778 1/2013

(73) Assignee: **Amneal Pharmaceuticals LLC**,
Bridgewater, NJ (US)

OTHER PUBLICATIONS

Highlights of Prescribing Information for Axiron (testerone) topical solution, for topical use CIII, 17 pgs.

(Continued)

(**) Term: **14 Years**

Primary Examiner — Zenia Bennett

(21) Appl. No.: **29/475,938**

(74) *Attorney, Agent, or Firm* — Servilla Whitney LLC

(22) Filed: **Dec. 9, 2013**

(57) **CLAIM**

The ornamental design for an applicator for applying a liquid to a surface, substantially as shown and described.

(51) **LOC (10) Cl.** **28-03**

(52) **U.S. Cl.**
USPC **D28/7**

DESCRIPTION

(58) **Field of Classification Search**
USPC D28/7, 8, 20–22, 30–31, 76, 85, 99;
132/108, 202, 208, 317.32;
401/202–207, 261–267; D4/132–135;
D24/119
CPC . A45D 34/002; A45D 34/005; A45D 34/007;
A45D 34/04; A45D 34/041; A45D 34/042;
A45D 34/043; A45D 34/045; A45D 34/046;
A45D 34/047; A45D 34/048; A45D 34/06
See application file for complete search history.

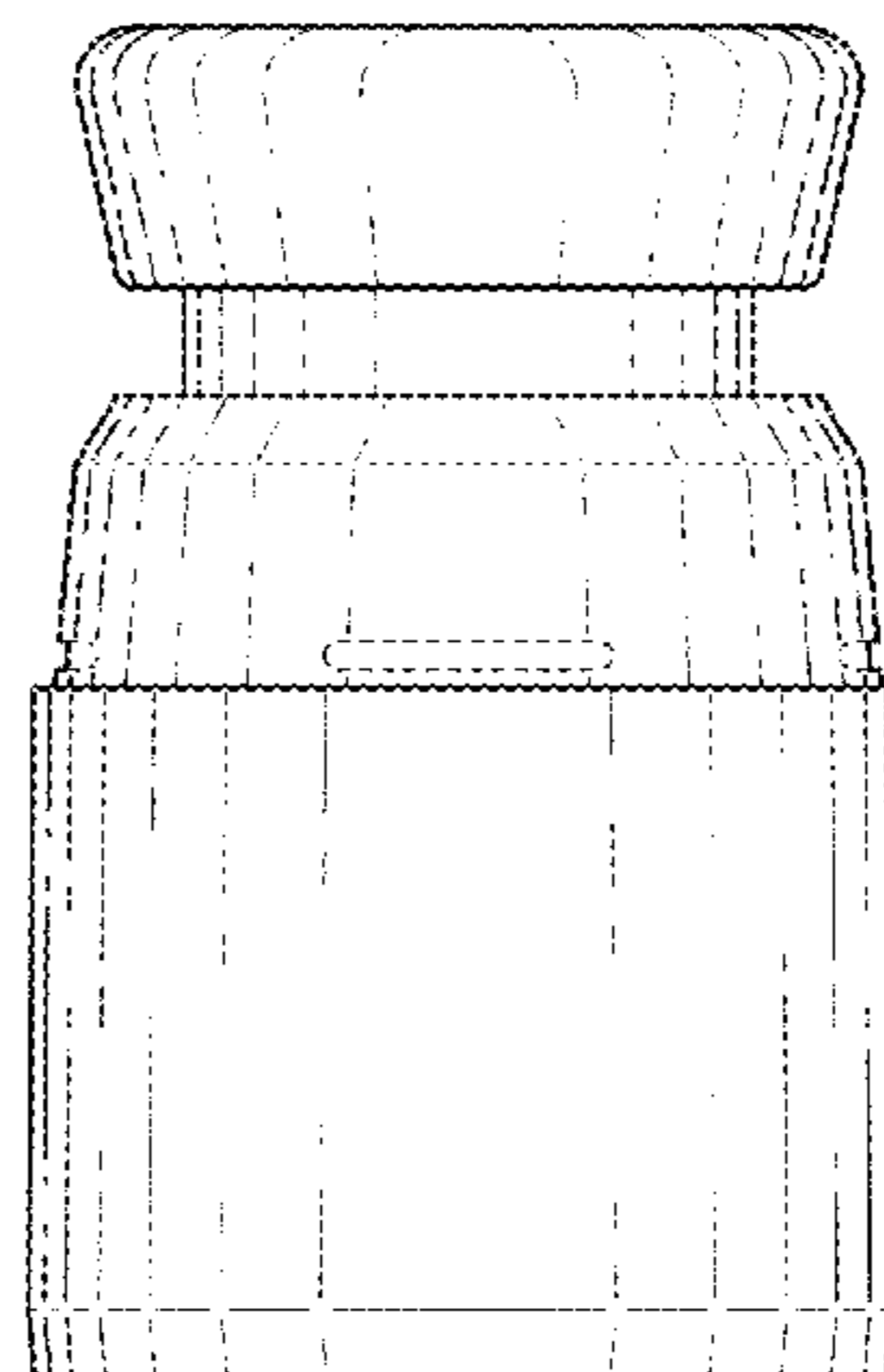
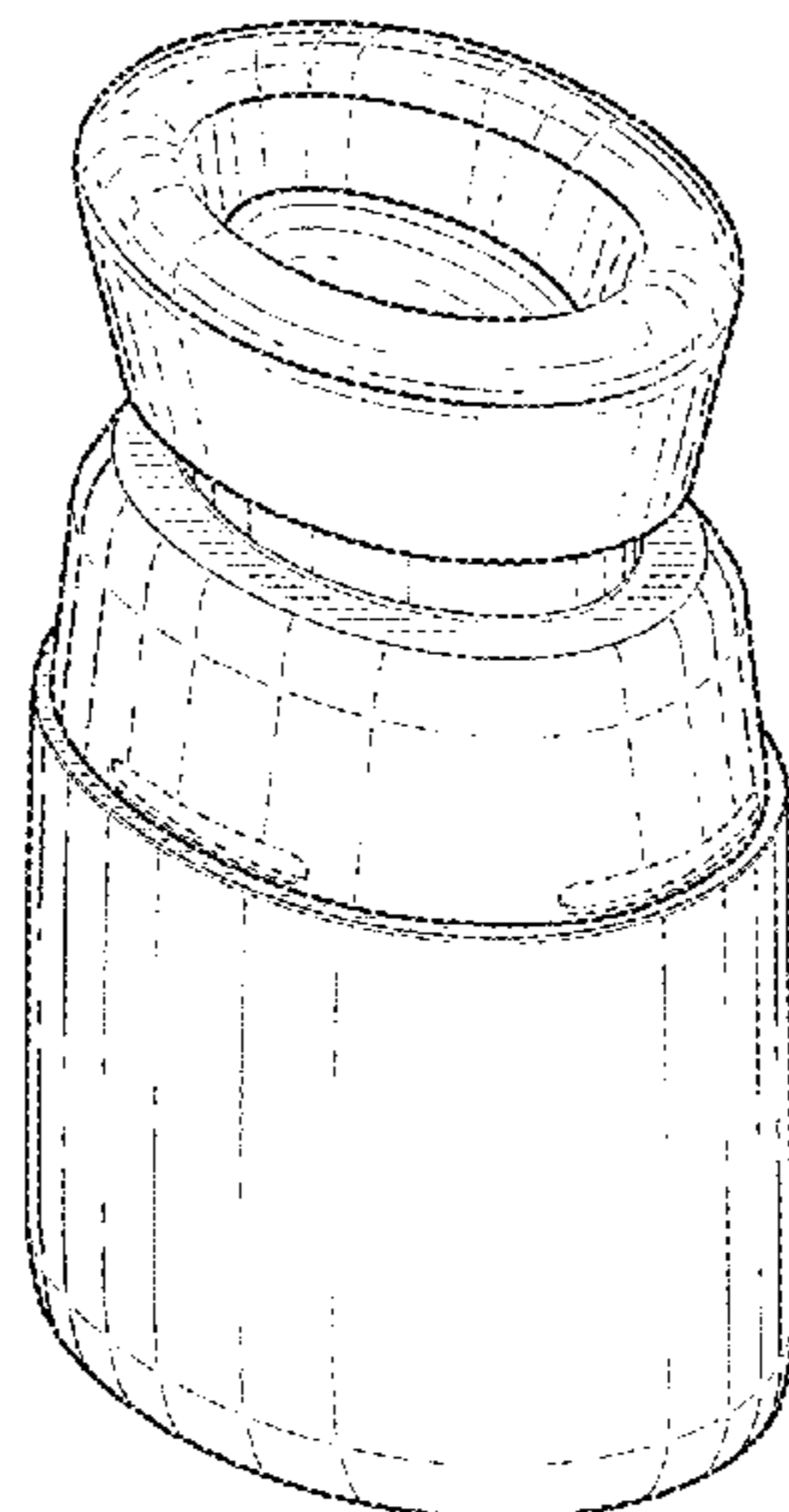
FIG. 1 is a front top perspective view of an applicator for applying a liquid to a surface;
FIG. 2 is a front bottom perspective view of an applicator for applying a liquid to a surface;
FIG. 3 is a front view of an applicator for applying a liquid to a surface;
FIG. 4 is a back view of an applicator for applying a liquid to a surface;
FIG. 5 is a right view of an applicator for applying a liquid to a surface;
FIG. 6 is a left view of an applicator for applying a liquid to a surface;
FIG. 7 is a top view of an applicator for applying a liquid to a surface; and,
FIG. 8 is a bottom view of an applicator for applying a liquid to a surface.
Portions shown in broken lines represent unclaimed portions of the claimed design.

(56) **References Cited**

U.S. PATENT DOCUMENTS

5,904,151 A 5/1999 Gueret
6,299,900 B1 10/2001 Reed et al.
D485,016 S * 1/2004 Noh D28/76
D490,561 S * 5/2004 Angeletta D28/7
6,773,187 B2 8/2004 Gueret
6,818,226 B2 11/2004 Reed et al.

1 Claim, 3 Drawing Sheets



(56)

References Cited

U.S. PATENT DOCUMENTS

6,981,814 B2 1/2006 Geardino et al.
D555,835 S * 11/2007 Song D28/76
7,381,005 B2 6/2008 Altonen et al.
7,927,034 B2 4/2011 Staniforth et al.
8,071,075 B2 12/2011 Reed et al.
8,177,449 B2 5/2012 Bayly et al.
8,419,307 B2 4/2013 Bayly et al.
8,435,944 B2 5/2013 Dipietro et al.

8,469,621 B2 6/2013 Zukowski et al.
D693,919 S 11/2013 Miu
D695,399 S * 12/2013 Sadot et al. D24/133
2005/0054991 A1 3/2005 Tobyn et al.
2007/0293842 A1 12/2007 Knight et al.
2010/0217176 A1 8/2010 Carrara et al.

OTHER PUBLICATIONS

TM Reg. No. 4,277,418, Registered Jan. 15, 2013, 2 pgs.

* cited by examiner

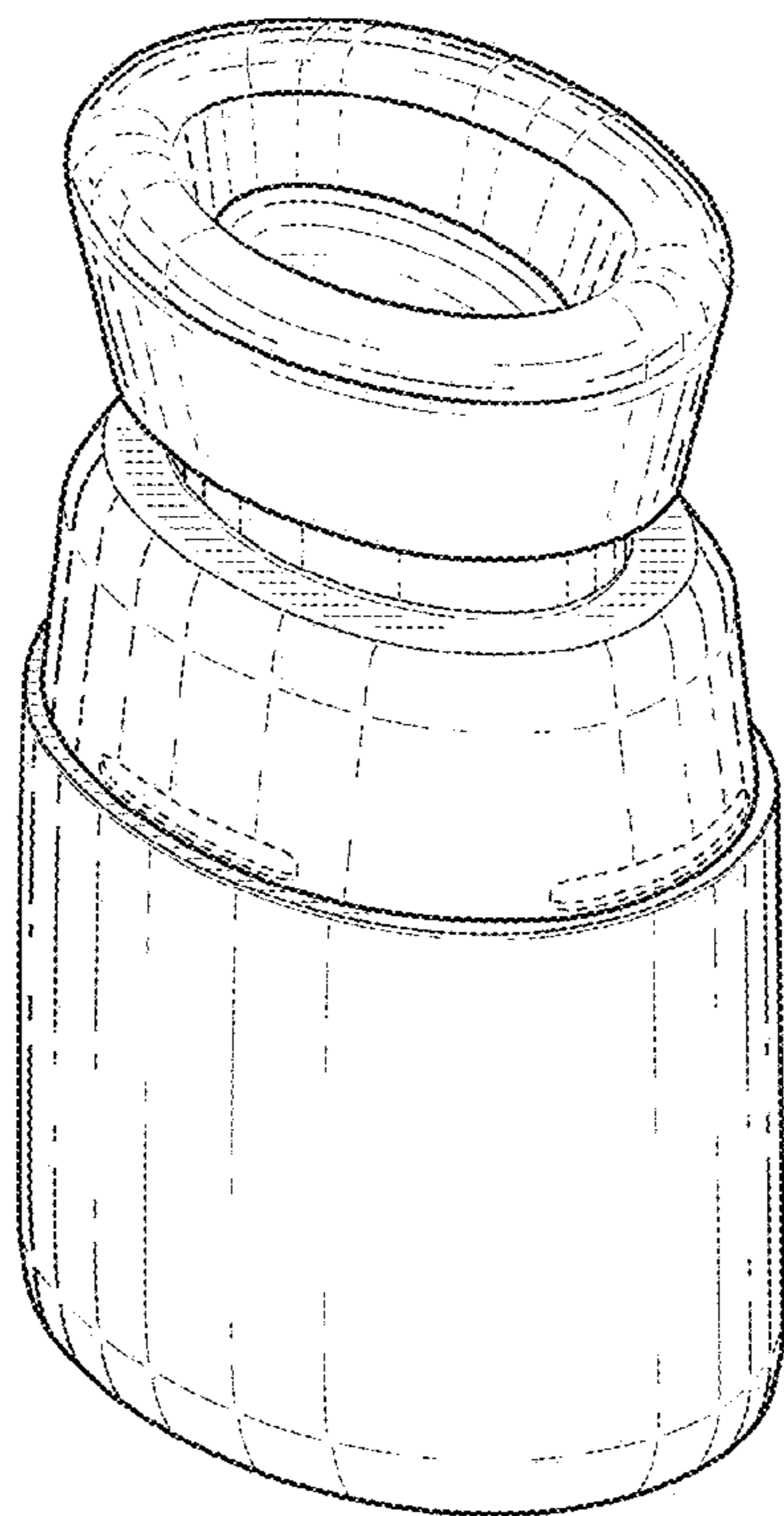


FIG. 1

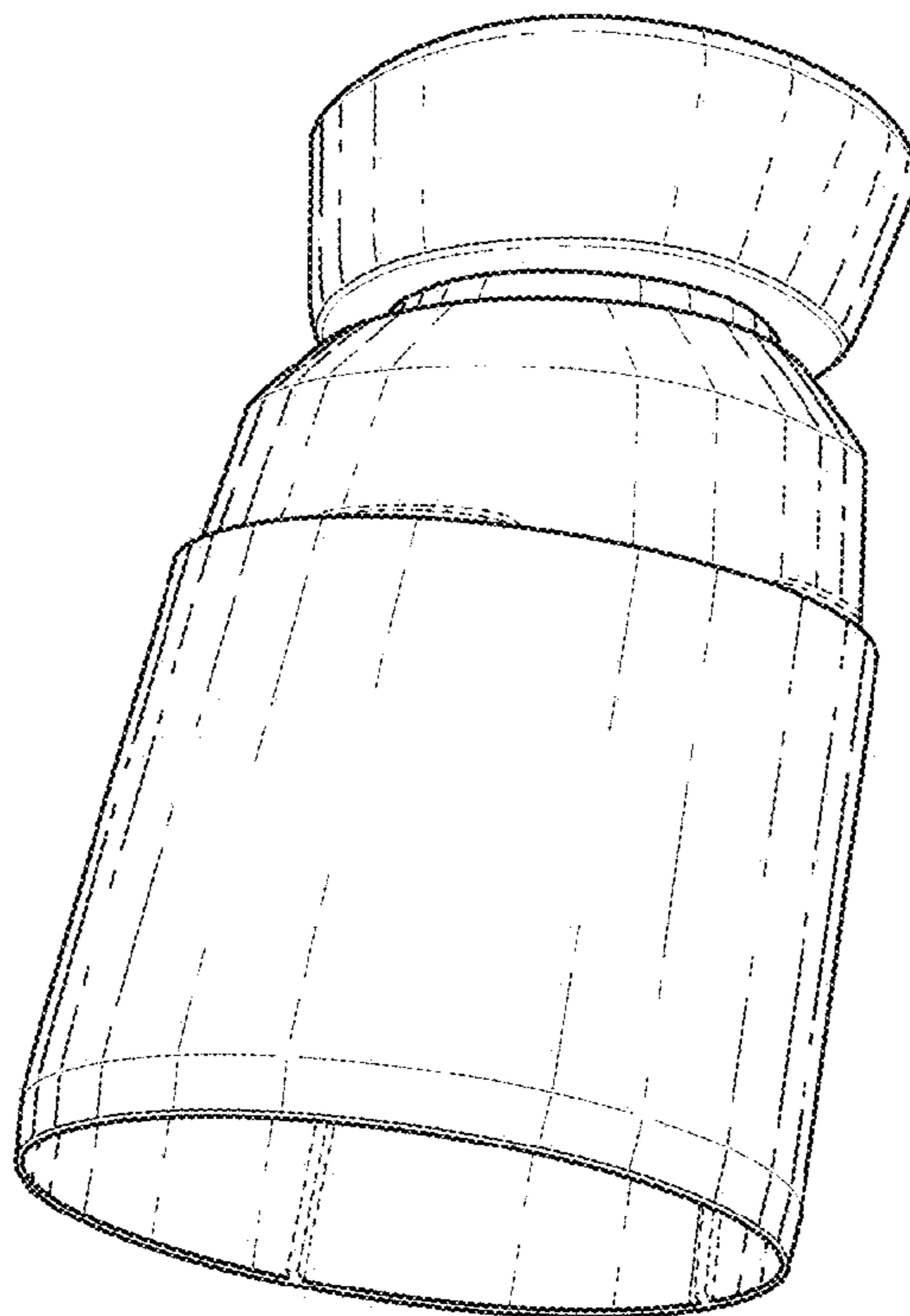


FIG. 2

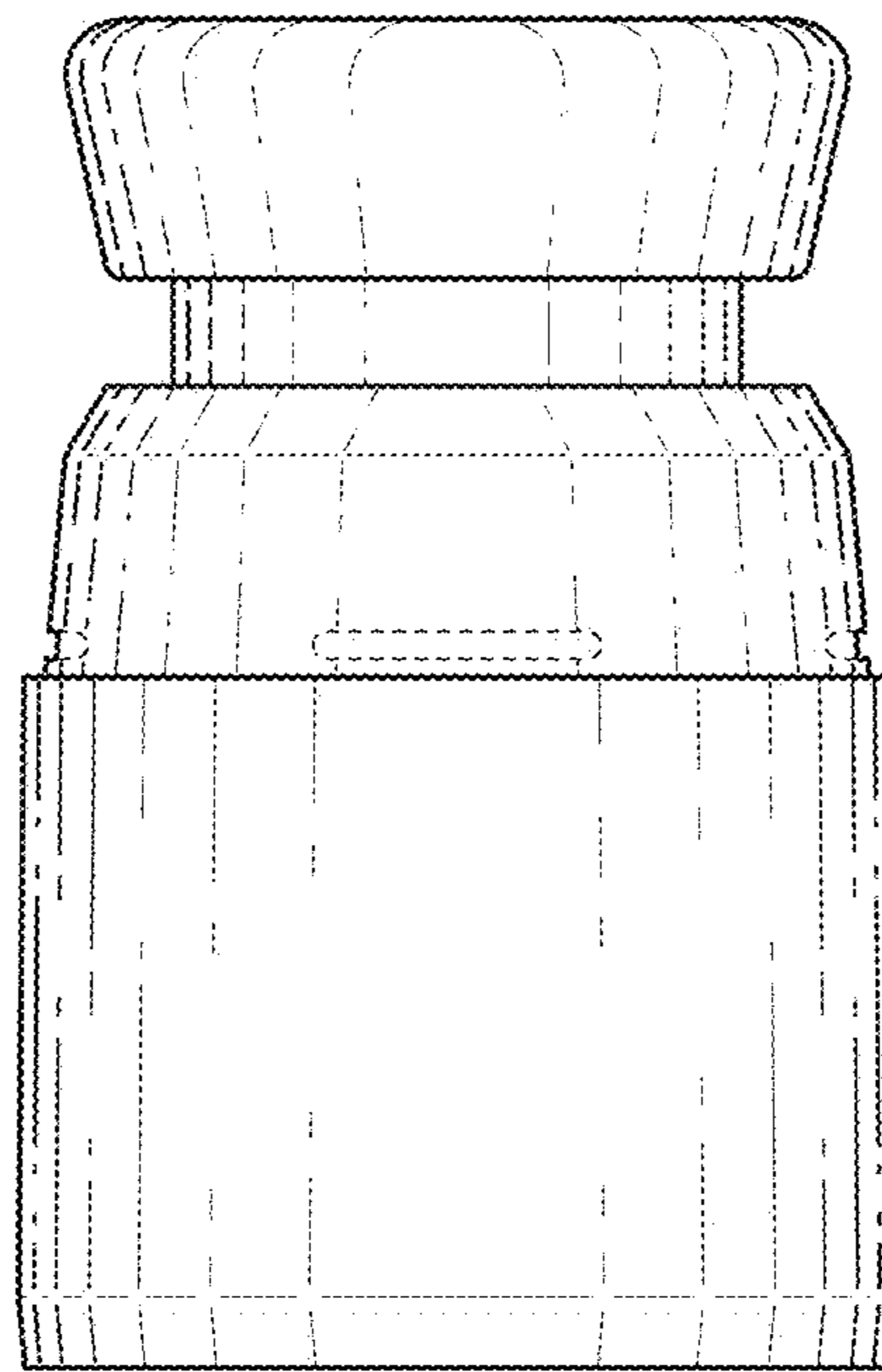


FIG. 3

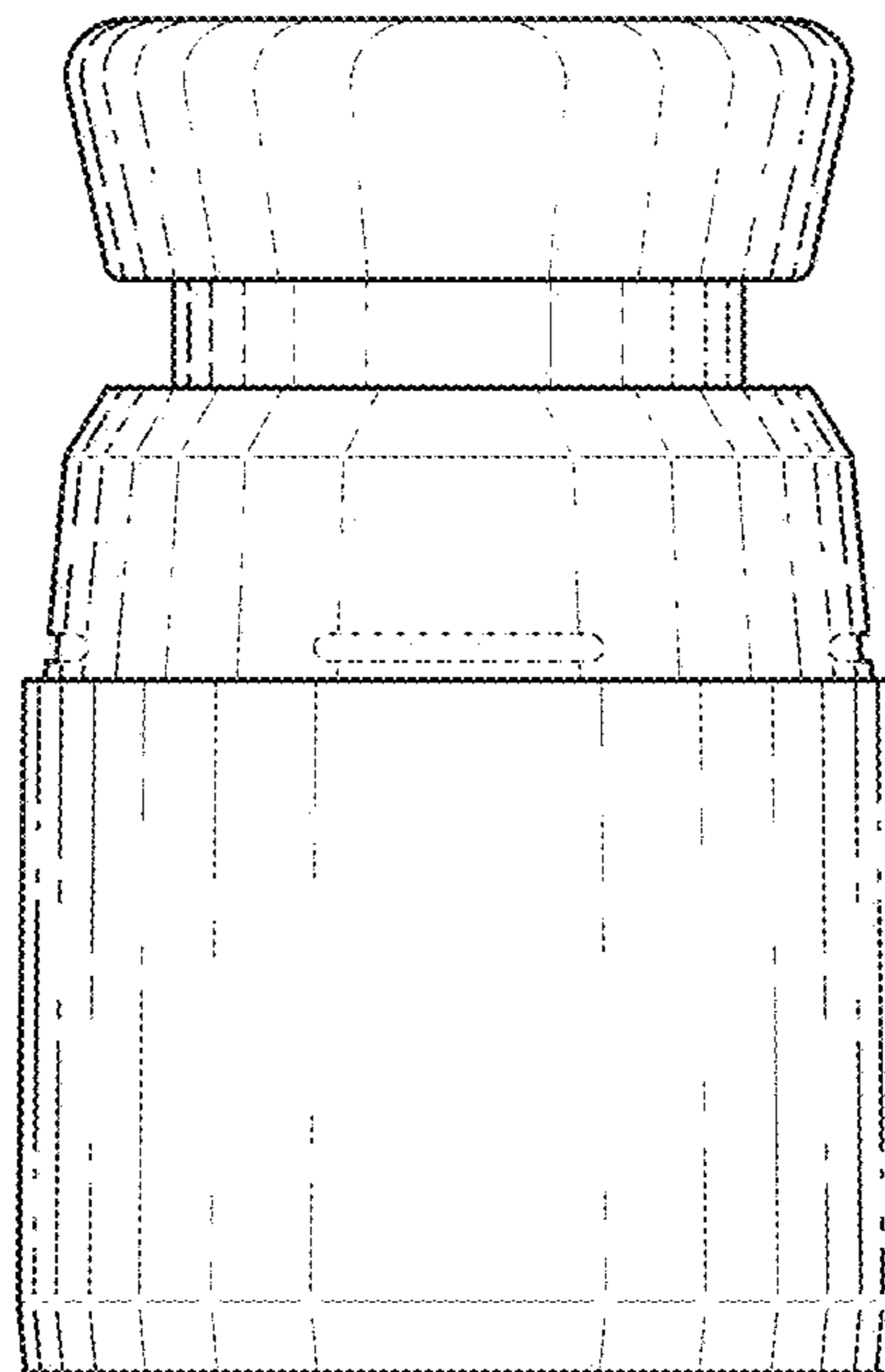


FIG. 4

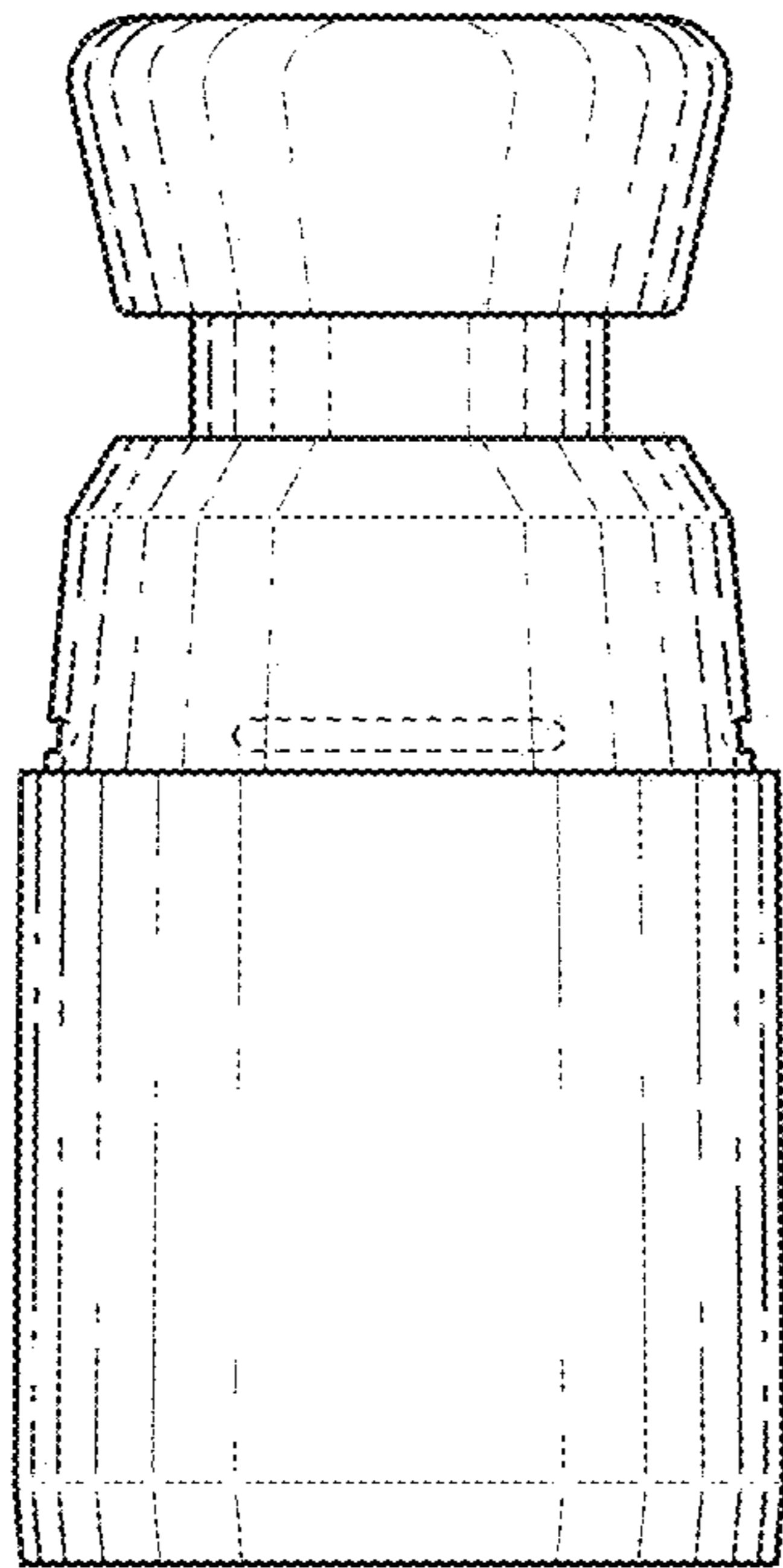


FIG. 5

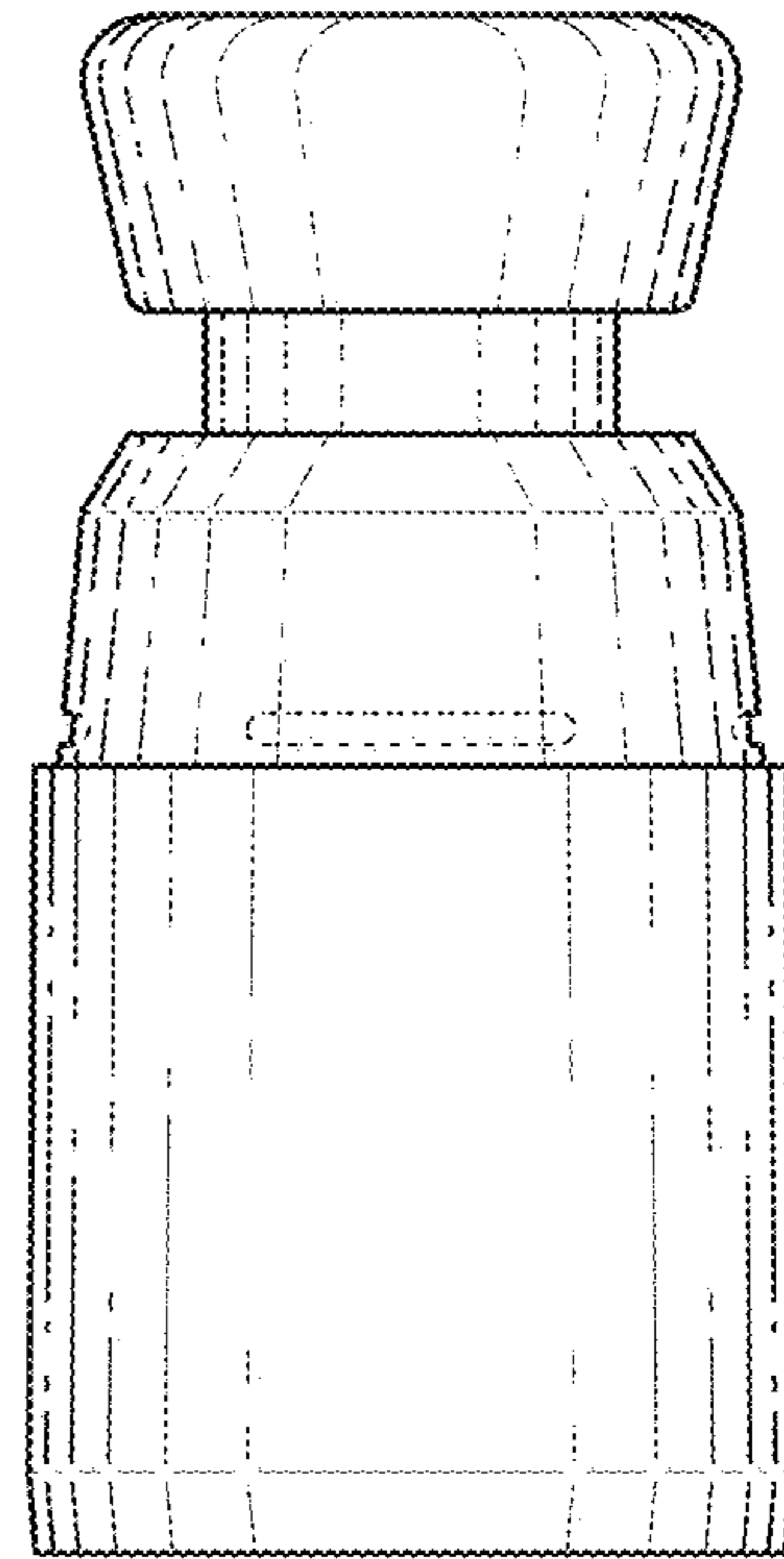


FIG. 6

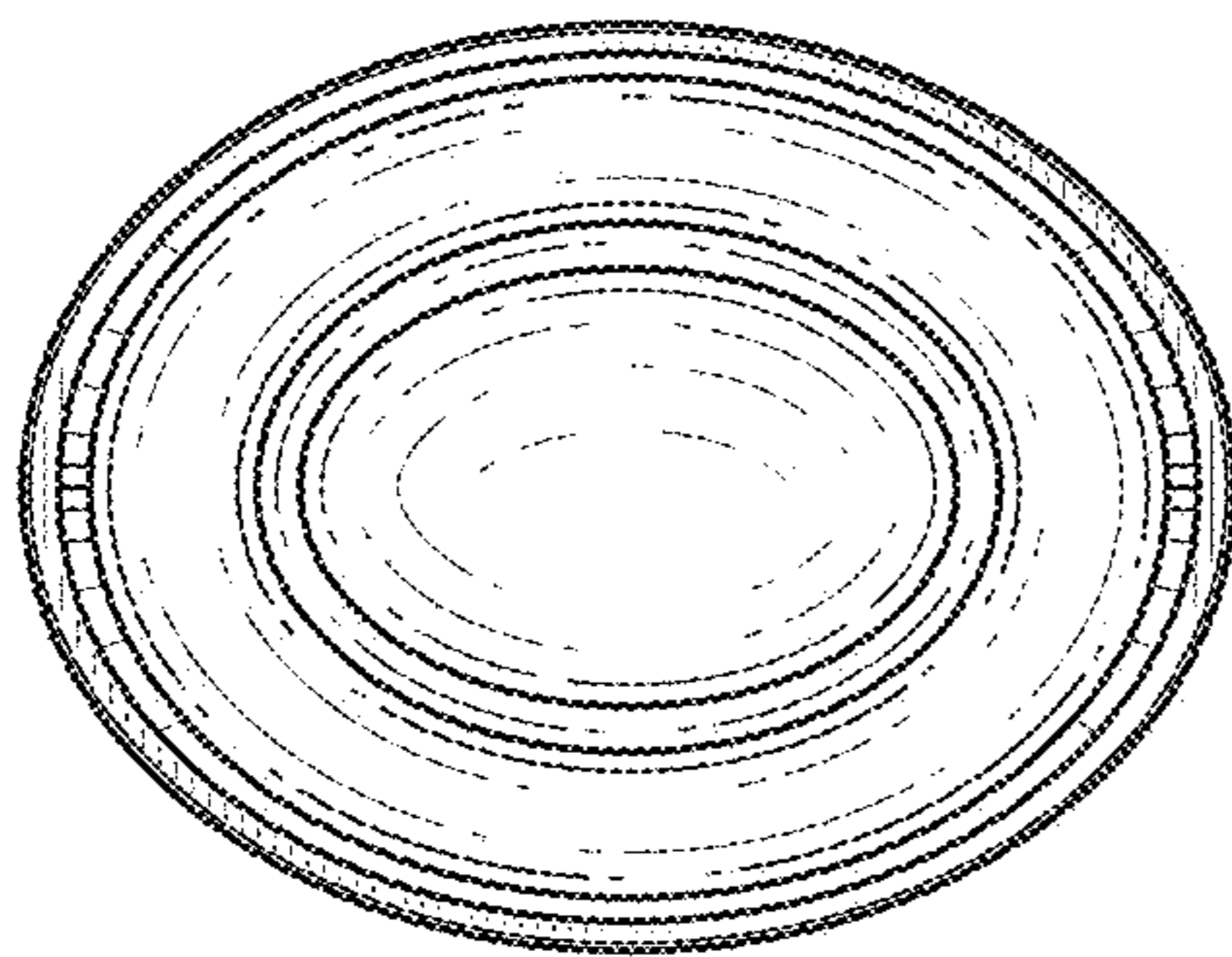


FIG. 7

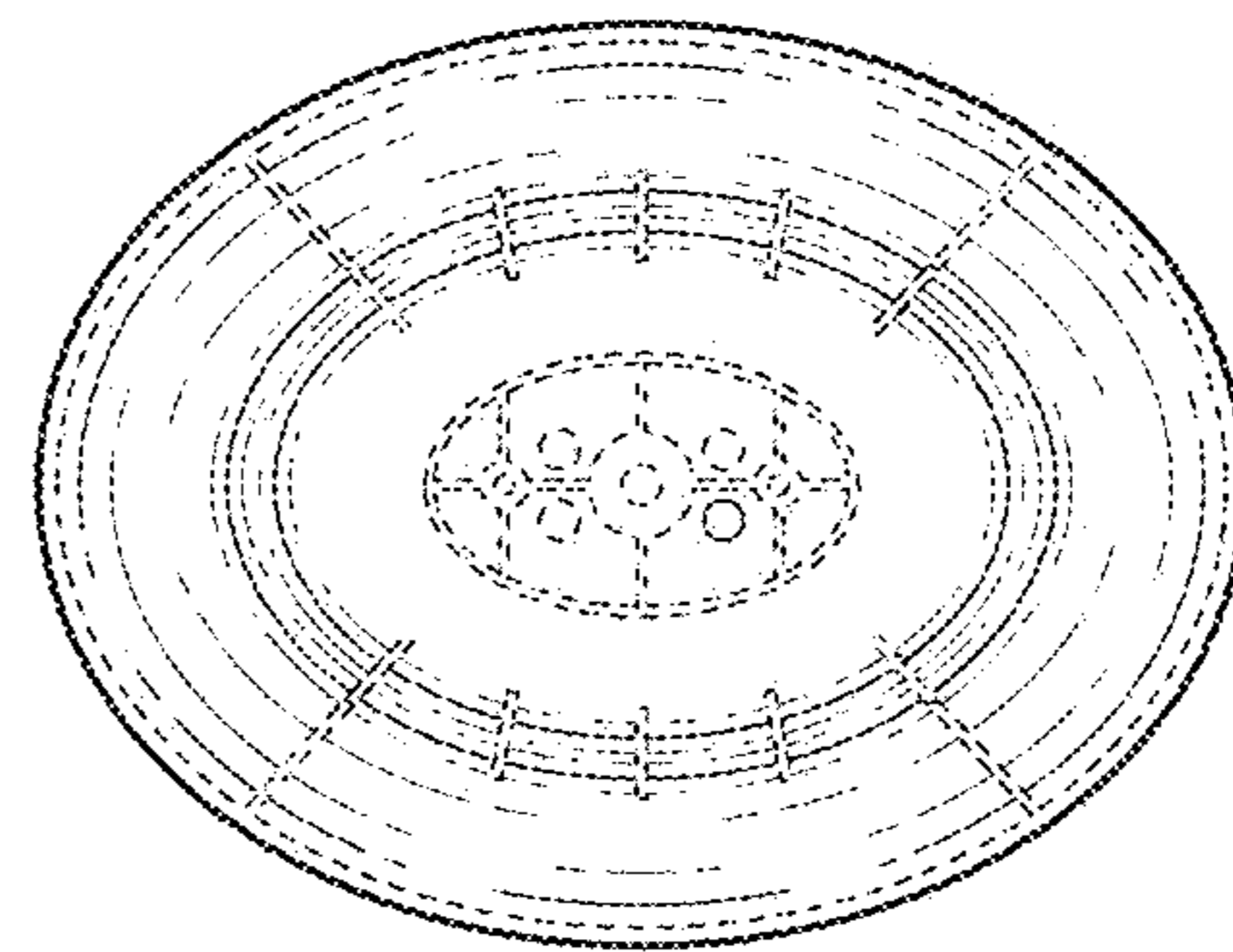


FIG. 8