



US00D752281S

(12) **United States Design Patent**
Alima

(10) **Patent No.:** **US D752,281 S**
(45) **Date of Patent:** **** Mar. 22, 2016**

(54) **VAPORIZER ADAPTER**
(71) Applicant: **Yariv Alima**, Plantation, FL (US)
(72) Inventor: **Yariv Alima**, Plantation, FL (US)
(73) Assignee: **Atmos Nation LLC**, Davie, FL (US)
(**) Term: **14 Years**

(21) Appl. No.: **29/486,390**
(22) Filed: **Mar. 28, 2014**
(51) **LOC (10) Cl.** **27-02**
(52) **U.S. Cl.**
USPC **D27/167**
(58) **Field of Classification Search**
USPC D27/167, 163, 194; D23/363, 360, 386,
D23/421; 141/368
CPC ... A61M 15/00; A61M 16/186; A61M 16/20;
A61M 16/201; A61M 16/202; A61M 16/203;
A61M 16/205; A61M 16/18
See application file for complete search history.

(56) **References Cited**

U.S. PATENT DOCUMENTS

5,810,001	A *	9/1998	Genga	A61M 16/183 128/202.27
6,585,016	B1 *	7/2003	Falligant	A61M 16/183 128/202.22
6,817,390	B2 *	11/2004	Falligant	A61M 16/183 128/202.22
6,929,041	B2 *	8/2005	Falligant	A61M 16/183 141/351
7,546,856	B2 *	6/2009	Chotenovsky	A61M 16/183 141/291
7,784,504	B2 *	8/2010	Freed	A61M 16/183 141/301
7,886,783	B2 *	2/2011	Rindy	A61M 16/183 141/302
8,033,306	B2 *	10/2011	Freed	A61M 16/183 141/301
8,522,839	B2 *	9/2013	Freed	A61M 16/183 141/349

8,534,328	B2 *	9/2013	Grunstad	A61M 16/183 141/301
D710,488	S *	8/2014	Alima	D23/363
D722,721	S *	2/2015	Ross	D27/167
D722,722	S *	2/2015	Ross	D27/167
D736,995	S *	8/2015	Recio	D27/141
D739,597	S *	9/2015	Lavanchy	D27/100
D740,488	S *	10/2015	Leidel	D27/167

(Continued)

FOREIGN PATENT DOCUMENTS

GB		2281740	A *	3/1995	A61M 16/183
----	--	---------	-----	--------	-------	-------------

Primary Examiner — Rosemary K Tarcza
Assistant Examiner — Yolanda Robinson

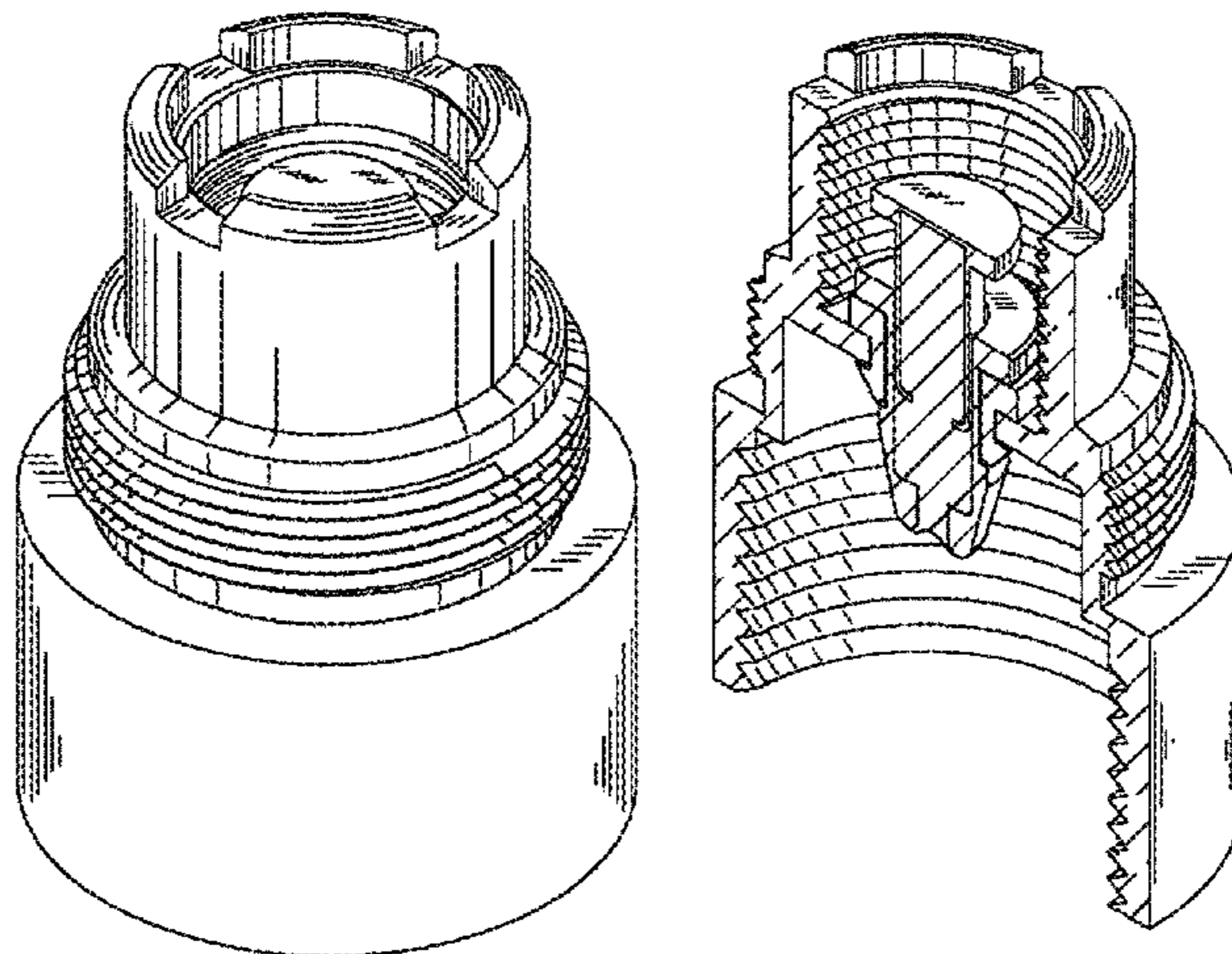
(57) **CLAIM**

The ornamental design for a vaporizer adapter, as shown and described.

DESCRIPTION

FIG. 1 is a perspective view of a vaporizer adapter;
FIG. 2 is a front view thereof;
FIG. 3 is a rear view thereof;
FIG. 4 is a right view thereof;
FIG. 5 is a left view thereof;
FIG. 6 is a top view thereof;
FIG. 7 is a bottom view thereof;
FIG. 8 is a right view thereof, showing the plane upon which a cross sectional view is taken and shown in FIG. 9;
FIG. 9 is a perspective cross section view thereof, taken along line 9-9 of FIG. 8;
FIG. 10 is an inverted right view thereof, showing the plane upon which a cross sectional view is taken and shown in FIG. 11; and,
FIG. 11 is a perspective cross section view taken along line 11-11 of FIG. 10.
The broken lines shown in the drawings are for the purpose of indicating the plane upon which cross-sectional views are taken, and form no part of the claimed design.

1 Claim, 11 Drawing Sheets



(56)

References Cited

U.S. PATENT DOCUMENTS

2004/0089375	A1*	5/2004	Falligant	A61M 16/183	141/351
2004/0206417	A1*	10/2004	Falligant	A61M 16/183	141/18
2007/0199616	A1*	8/2007	Chotenovsky	A61M 16/183	141/351
2007/0204931	A1*	9/2007	Freed	A61M 16/186	141/351
2007/0204932	A1*	9/2007	Freed	A61M 16/183	141/352
2009/0255532	A1*	10/2009	Grunstad	B60K 15/04	128/202.27
2010/0163030	A1*	7/2010	Hyman	A61M 16/186	128/203.12
2010/0294276	A1*	11/2010	Rindy	A61M 16/183	128/203.12
2010/0319695	A1*	12/2010	Freed	A61M 16/183	128/203.16
2013/0008441	A1*	1/2013	Grunstad	B60K 15/04	128/203.12
2013/0175235	A1*	7/2013	Elsayyid	A61M 16/183	215/316

* cited by examiner

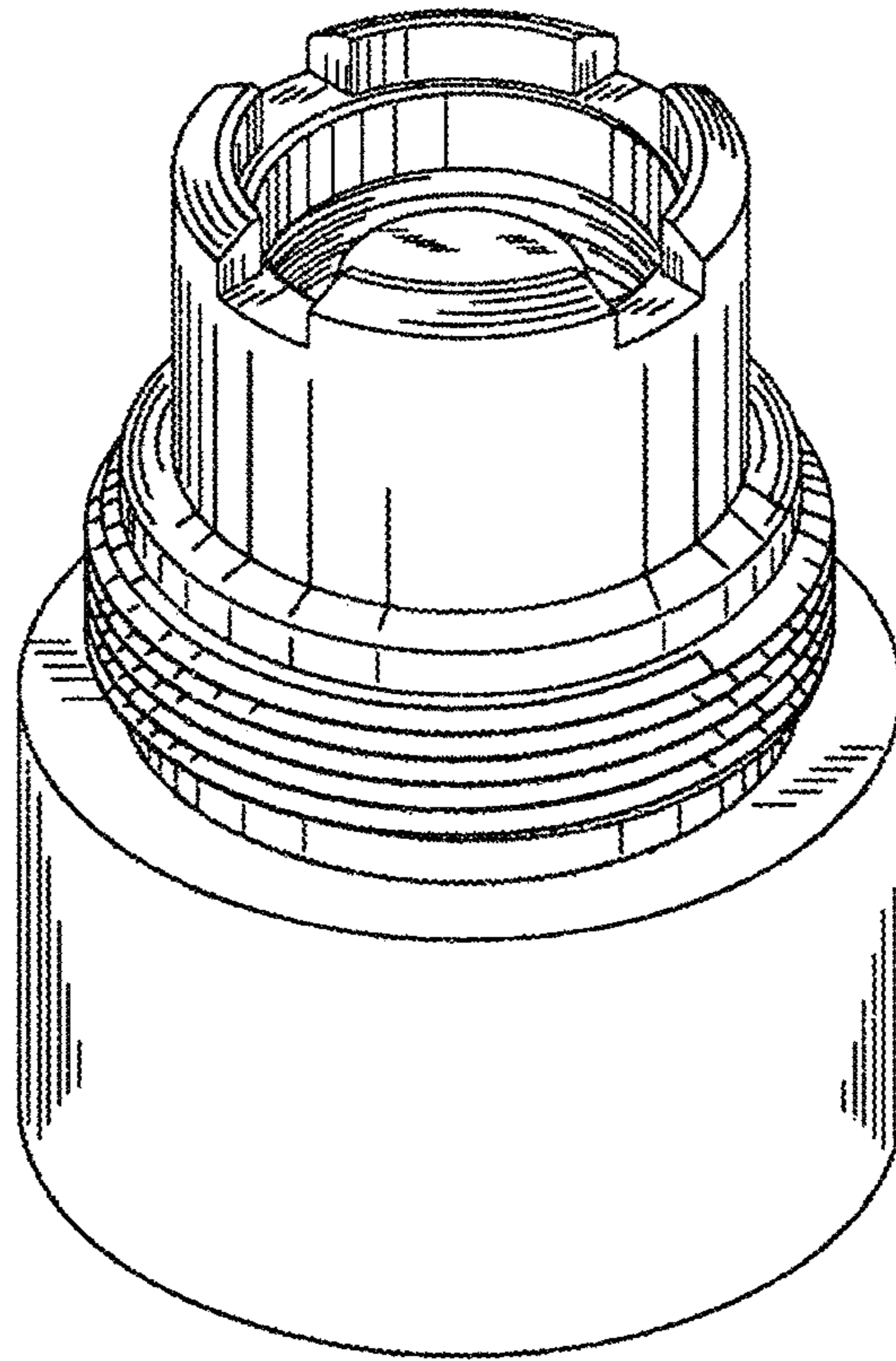


FIG. 1

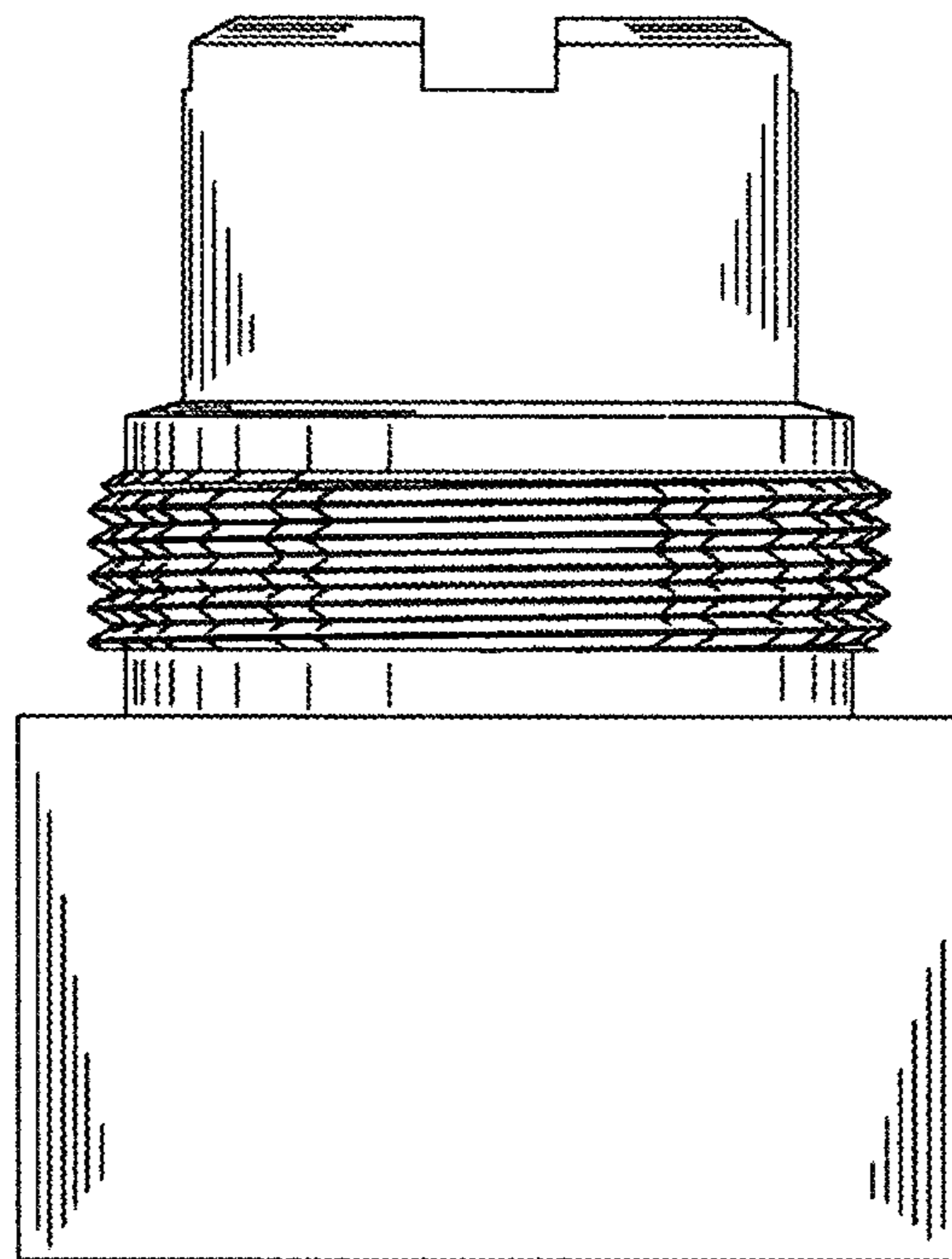


FIG. 2

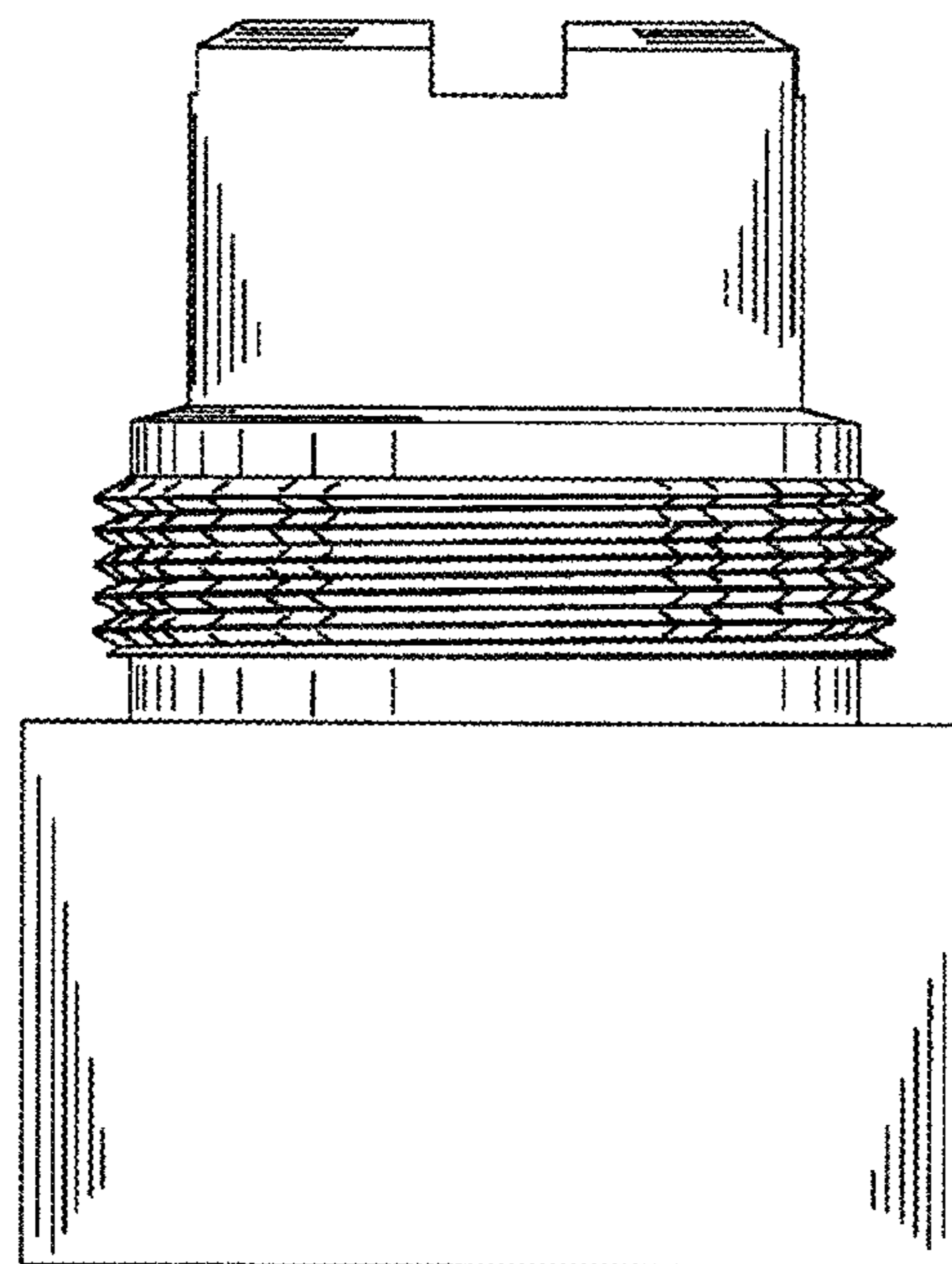


FIG. 3

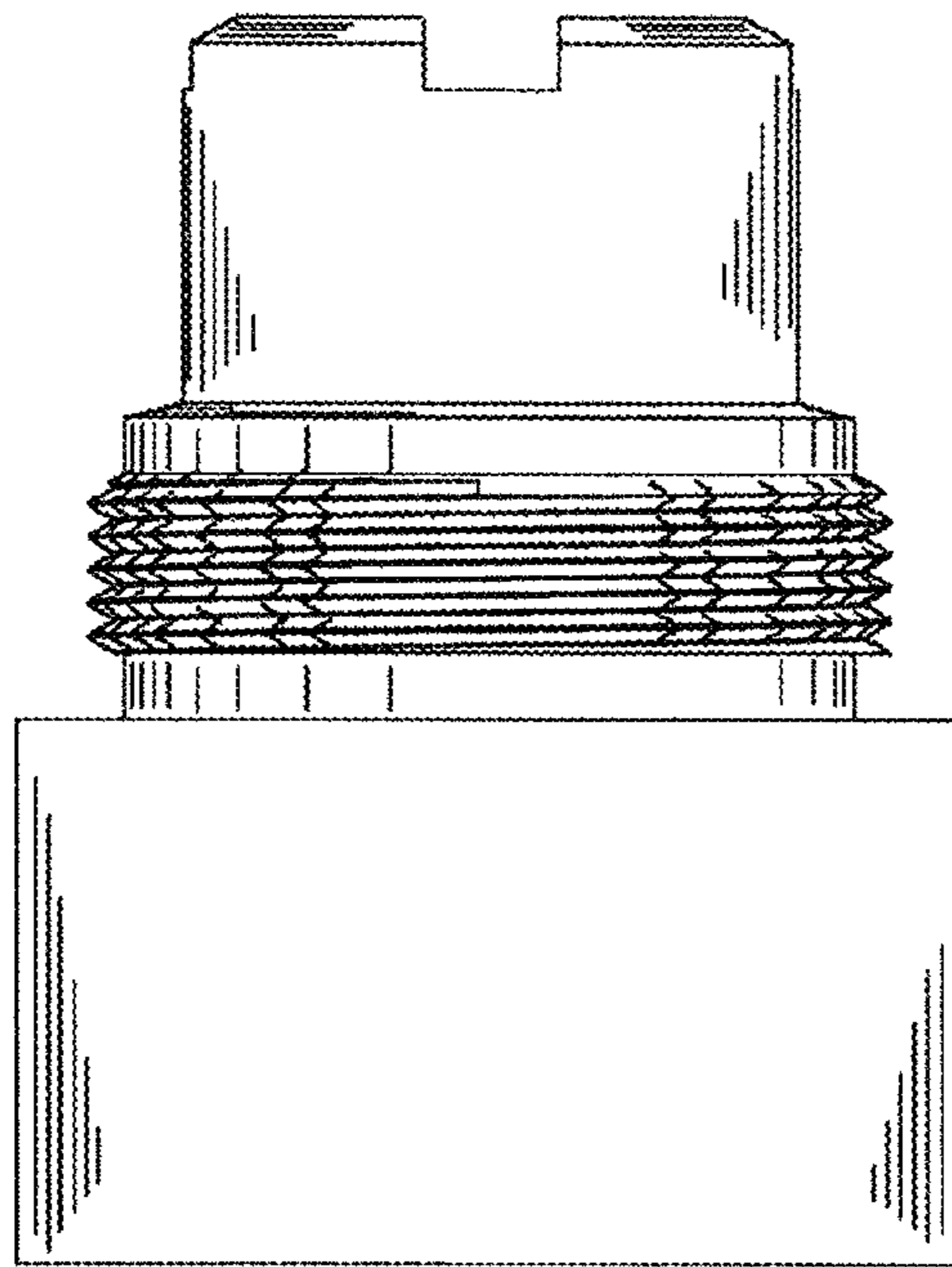


FIG. 4

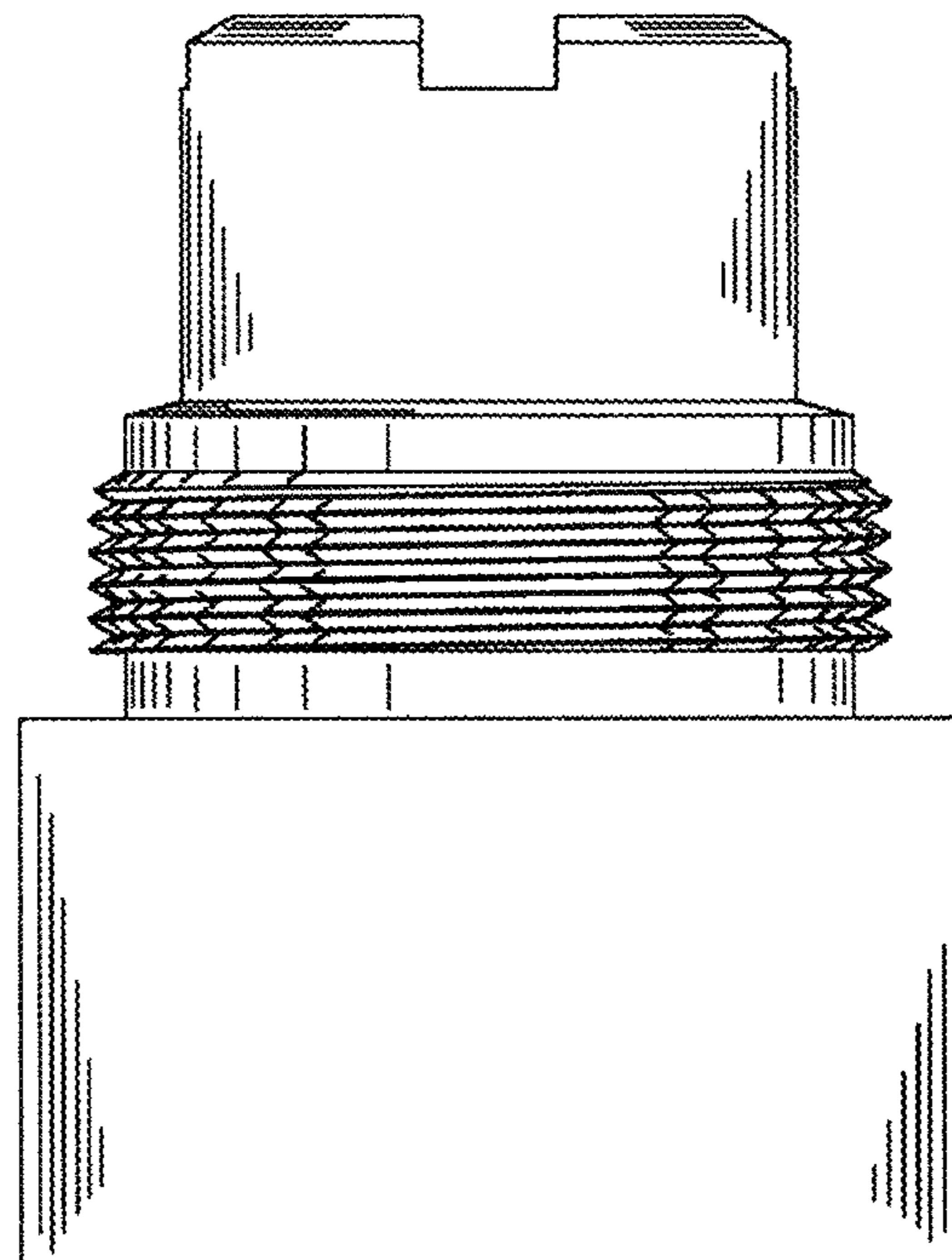


FIG. 5

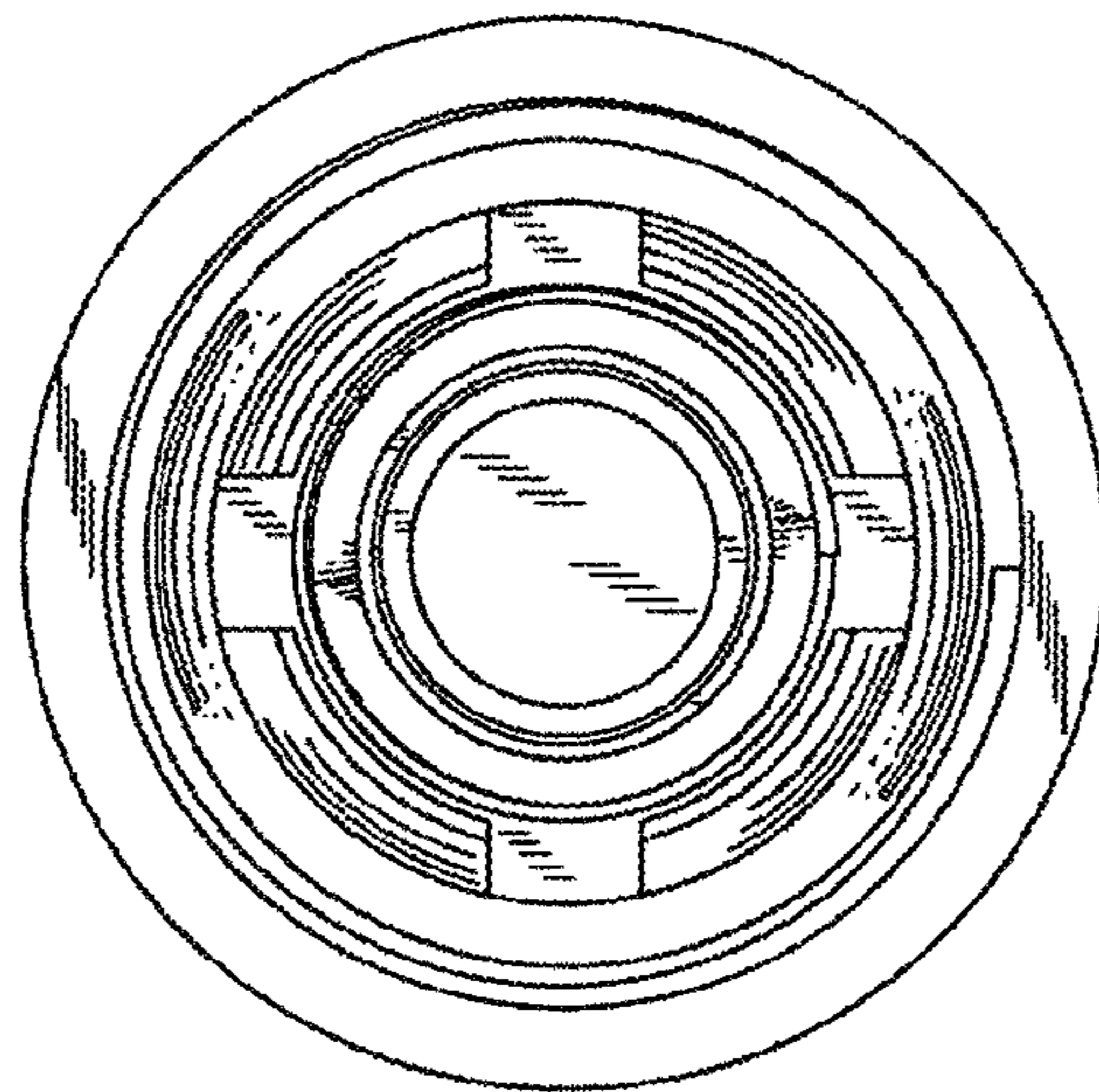


FIG. 6

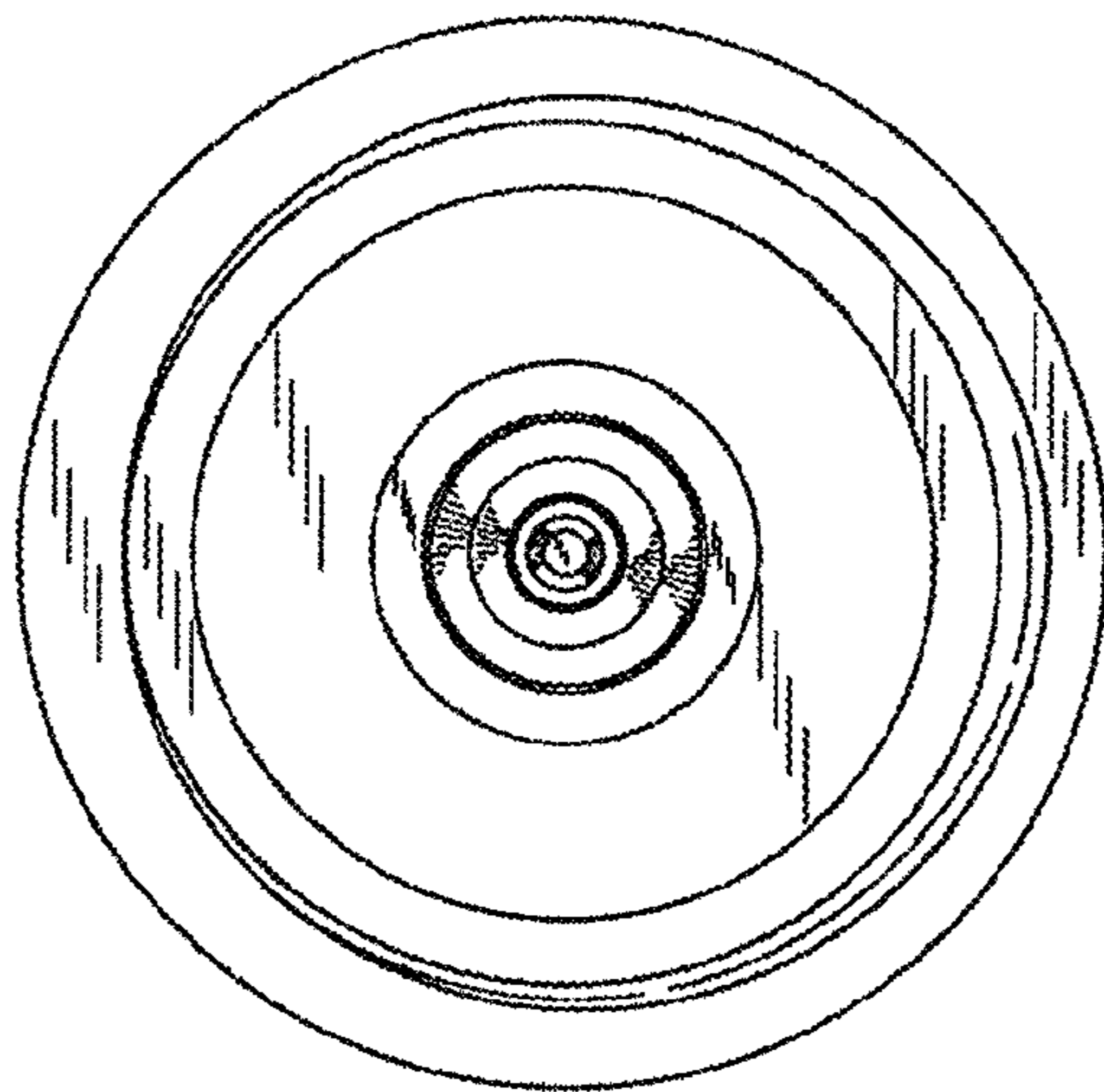


FIG. 7

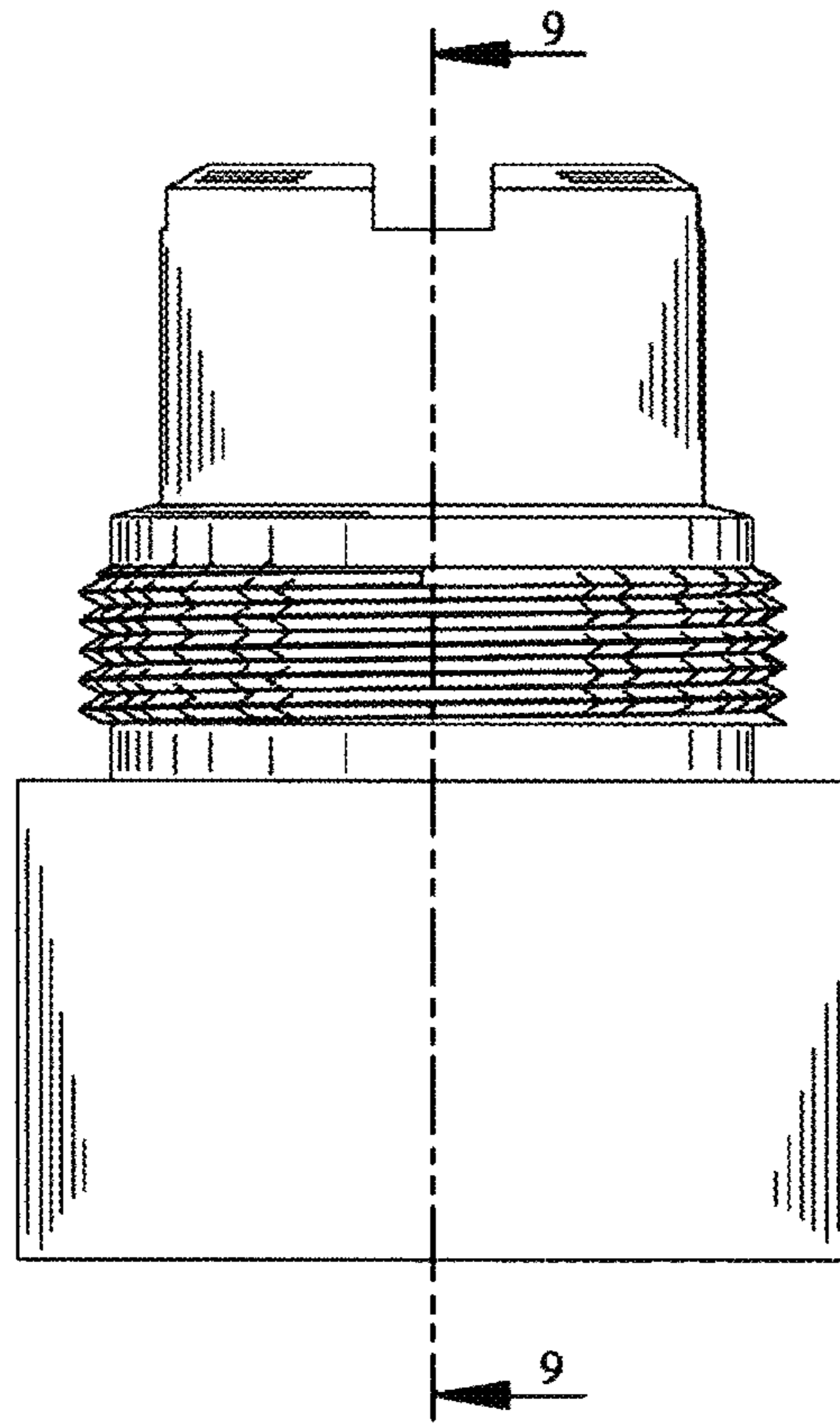


FIG. 8

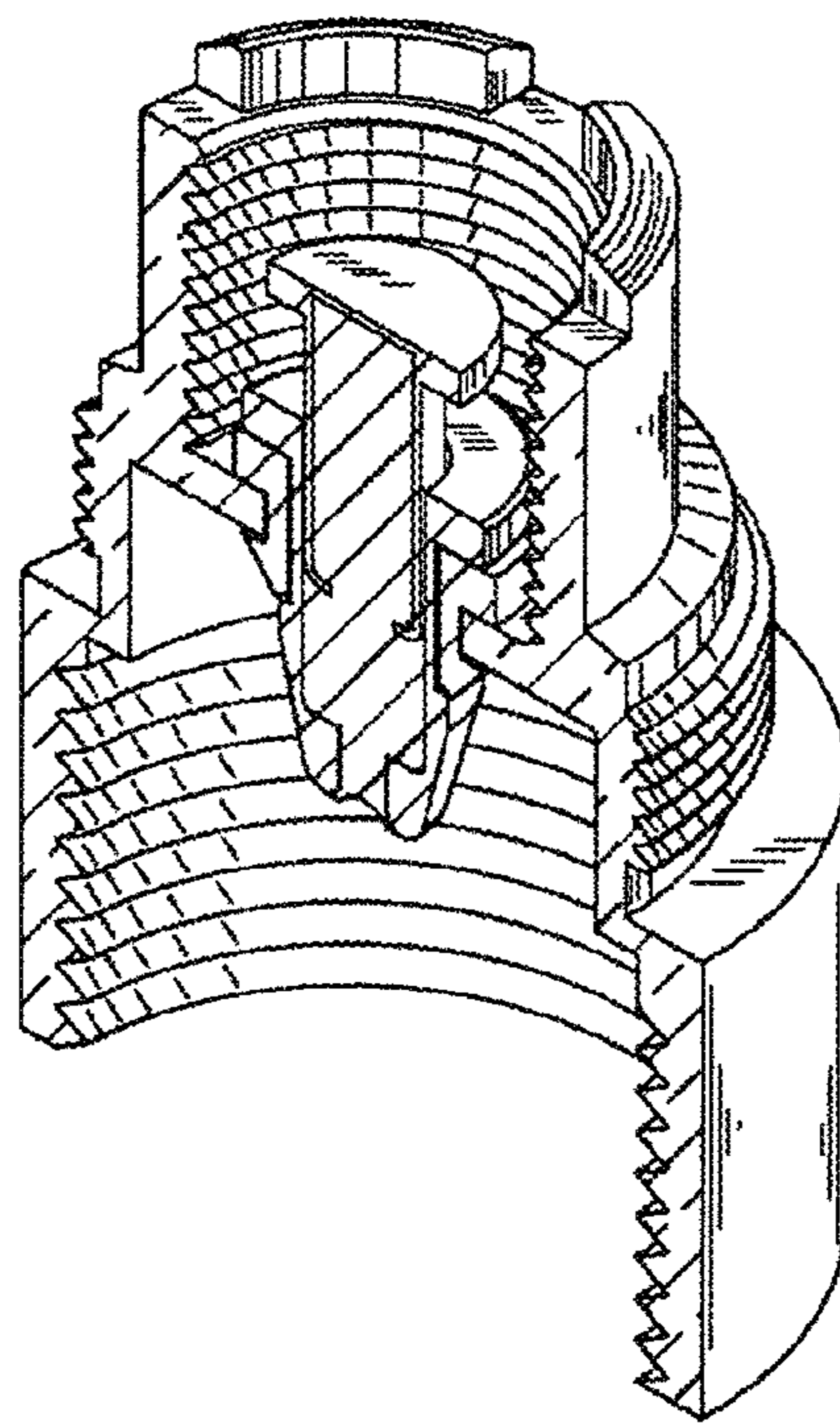


FIG. 9

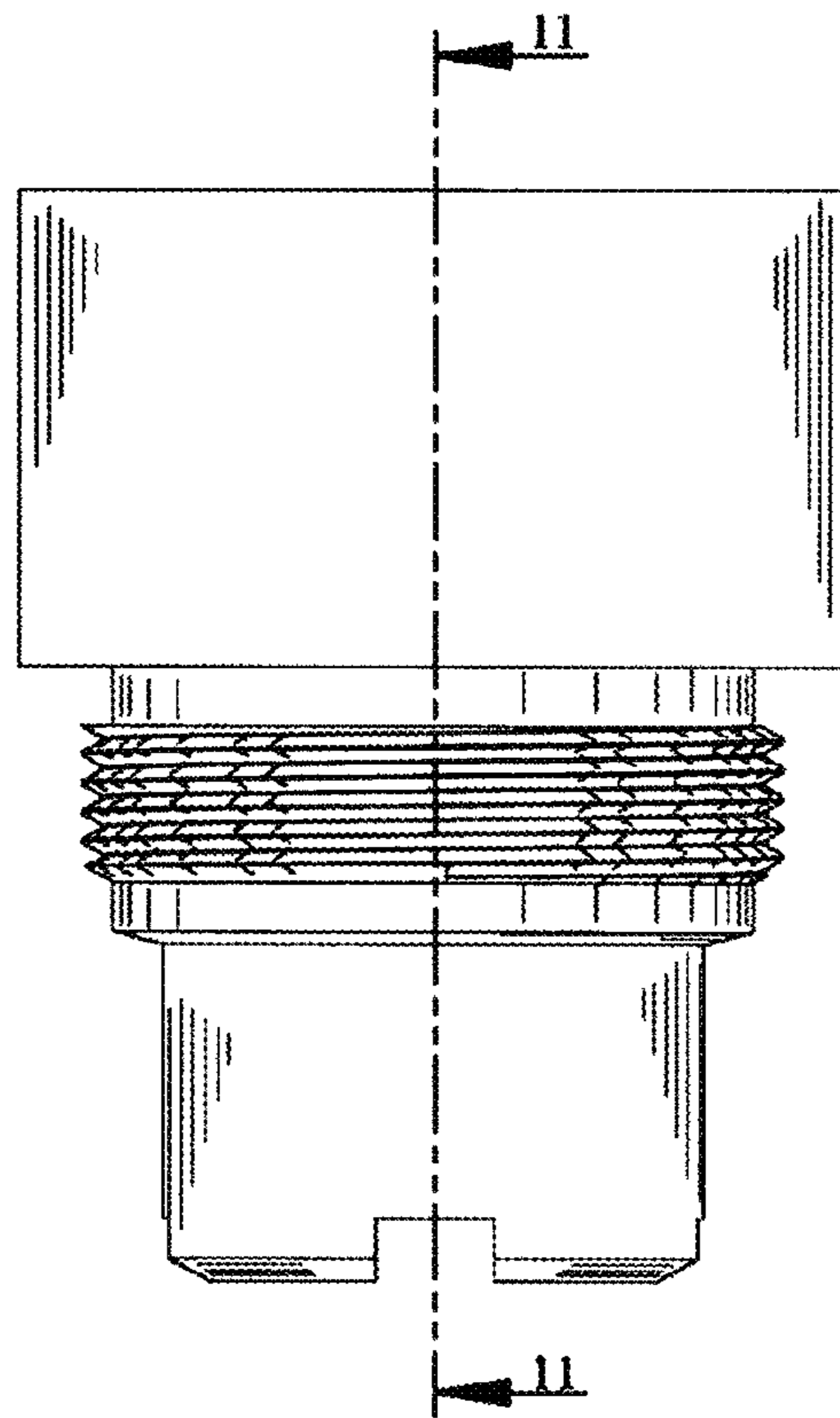


FIG. 10

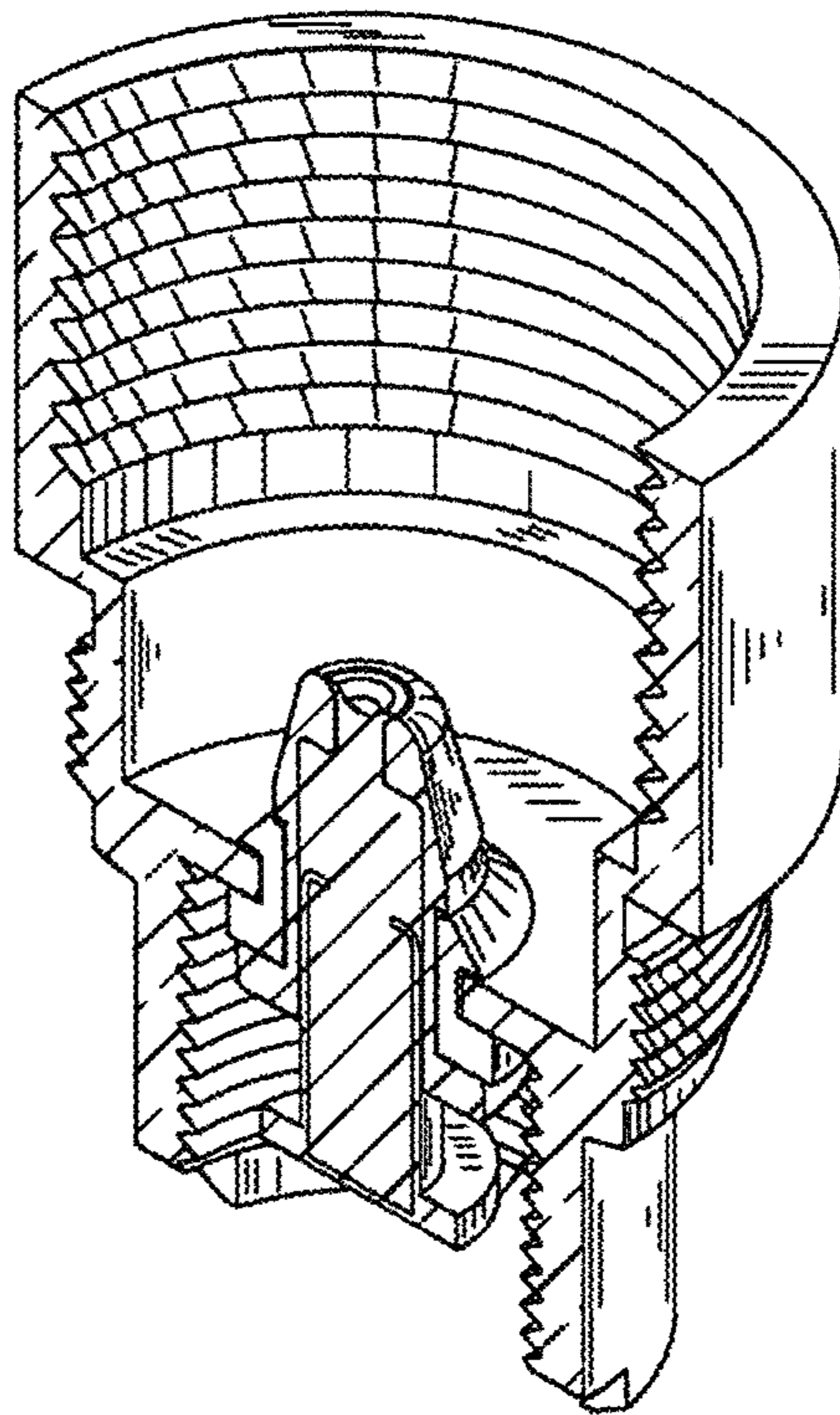


FIG. 11