



US00D752276S

(12) **United States Design Patent**  
**Thompson et al.**

(10) **Patent No.:** **US D752,276 S**  
(45) **Date of Patent:** **\*\* Mar. 22, 2016**

(54) **PENDULUM PIECE**

FOREIGN PATENT DOCUMENTS

(71) Applicant: **Luminara Worldwide, LLC**, Eden Prairie, MN (US)

CN 303219547 S 5/2015  
CN 303219548 S 5/2015

(Continued)

(72) Inventors: **Jeffrey Thompson**, Huntington Beach, CA (US); **Douglas Patton**, Irvine, CA (US); **James LaBelle**, Orange, CA (US)

OTHER PUBLICATIONS

European Community Design Registration No. 002140533-0001, issued Nov. 11, 2012.

(73) Assignee: **Luminara Worldwide, LLC**, Eden Prairie, MN (US)

(Continued)

(\*\*) Term: **14 Years**

*Primary Examiner* — George D Kirschbaum

*Assistant Examiner* — Natasha Vujcic

(21) Appl. No.: **29/510,322**

(74) *Attorney, Agent, or Firm* — Fish & Tsang LLP

(22) Filed: **Nov. 26, 2014**

(51) **LOC (10) Cl.** ..... **26-99**

(57) **CLAIM**

(52) **U.S. Cl.**

The ornamental design for a pendulum piece, as shown and described.

USPC ..... **D26/154**

(58) **Field of Classification Search**

**DESCRIPTION**

USPC ..... D26/76, 78, 79, 80, 81, 82, 83, 85, 86,  
D26/88, 90, 113, 118, 119, 120, 121, 122,  
D26/138, 139, 140, 141, 142, 153, 154, 155  
CPC ..... F21S 2/00; F21S 4/00; F21S 4/003;  
F21S 4/005; F21S 4/006; F21S 4/007; F21S  
4/008; F21S 6/00; F21S 8/00; F21S 8/024;  
F21S 8/026; F21S 8/031; F21S 8/033; F21S  
8/035–8/037; F21S 8/04; F21S 8/043; F21S  
8/063

FIG. 1 is an isometric view of one embodiment of a pendulum piece.

FIG. 2 is a top view of the pendulum piece of FIG. 1.

FIG. 3 is a bottom view of the pendulum piece of FIG. 1.

FIG. 4 is a front view of the pendulum piece of FIG. 1.

FIG. 5 is a side view of the pendulum piece of FIG. 1.

FIG. 6 is a rear view of the pendulum piece of FIG. 1.

FIG. 7 is an isometric view of another embodiment of a pendulum piece.

FIG. 8 is a top view of the pendulum piece of FIG. 7.

FIG. 9 is a bottom view of the pendulum piece of FIG. 7.

FIG. 10 is a front view of the pendulum piece of FIG. 7.

FIG. 11 is a side view of the pendulum piece of FIG. 7; and,

FIG. 12 is a rear view of the pendulum piece of FIG. 7.

See application file for complete search history.

(56) **References Cited**

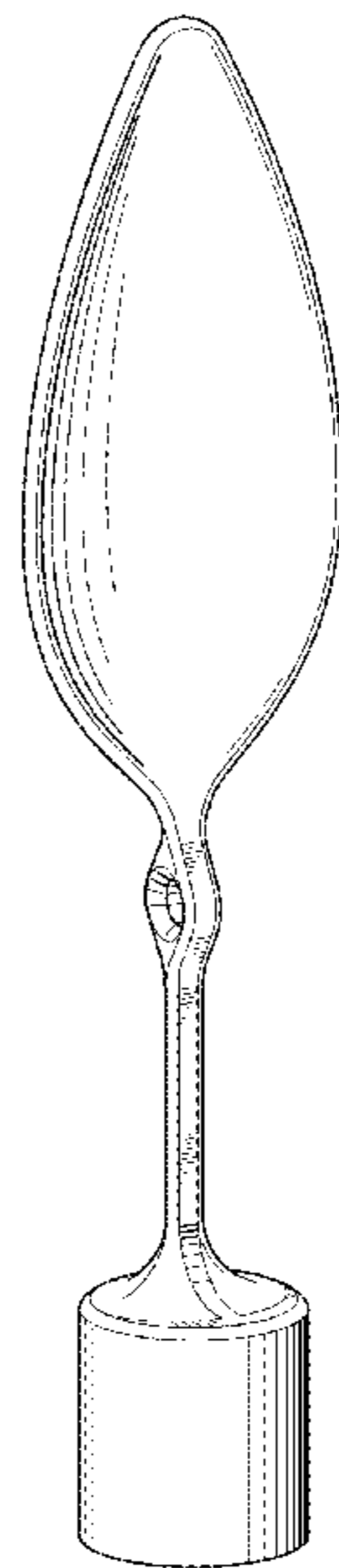
U.S. PATENT DOCUMENTS

1,954,756 A \* 4/1934 Kidston ..... F21S 4/001  
362/392

2,509,219 A 5/1950 Desmond et al.

(Continued)

**1 Claim, 4 Drawing Sheets**



(56)

References Cited

U.S. PATENT DOCUMENTS

2,509,220 A 5/1950 Desmond et al.  
 3,194,955 A 7/1965 Koch  
 3,639,749 A 2/1972 Beckman  
 D263,508 S \* 3/1982 Hubachek ..... D26/49  
 D293,826 S \* 1/1988 Berg ..... D26/96  
 5,327,332 A \* 7/1994 Hafemeister ..... A47G 33/0836  
 362/392  
 D433,766 S \* 11/2000 Johnson ..... D26/96  
 D486,924 S 2/2004 Skradski et al.  
 D517,705 S 3/2006 Shen  
 D522,847 S 6/2006 Suero, Jr.  
 D523,975 S 6/2006 Meyers  
 7,066,637 B2 6/2006 Nozawa et al.  
 7,159,994 B2 1/2007 Schnuckle et al.  
 D545,458 S 6/2007 Jensen  
 7,261,455 B2 8/2007 Schnuckle et al.  
 D567,993 S 4/2008 Shiu  
 D569,541 S \* 5/2008 Shiu ..... D26/96  
 D576,317 S 9/2008 Jensen  
 D589,176 S 3/2009 Huang et al.  
 D612,076 S 3/2010 Peterson  
 7,837,355 B2 11/2010 Schnuckle et al.  
 D645,171 S 9/2011 Hau et al.  
 8,070,319 B2 12/2011 Schnuckle et al.  
 8,132,936 B2 3/2012 Patton et al.  
 8,342,712 B2 1/2013 Patton et al.  
 8,534,869 B2 9/2013 Patton et al.  
 8,550,660 B2 10/2013 Patton et al.  
 8,628,223 B2 1/2014 Kwok et al.  
 8,646,946 B2 2/2014 Schnuckle et al.  
 8,696,166 B2 4/2014 Patton et al.  
 8,721,118 B2 5/2014 Patton et al.  
 8,727,569 B2 5/2014 Schnuckle et al.  
 D706,963 S 6/2014 Thompson

8,789,986 B2 7/2014 Li  
 2001/0033488 A1 10/2001 Chliwnyj et al.  
 2005/0007779 A1 \* 1/2005 Nozawa ..... F21S 10/04  
 362/253  
 2007/0297166 A1 \* 12/2007 Chen ..... F21S 6/001  
 362/161  
 2009/0256496 A1 \* 10/2009 Swarovski ..... F21S 6/001  
 362/392  
 2012/0134157 A1 5/2012 Li  
 2013/0037685 A1 \* 2/2013 Hall ..... F21V 21/088  
 248/539  
 2014/0104812 A1 \* 4/2014 Patton ..... F21S 10/046  
 362/362  
 2014/0177212 A1 6/2014 Li  
 2014/0218903 A1 8/2014 Sheng  
 2014/0313694 A1 \* 10/2014 Patton ..... F21S 10/046  
 362/362  
 2015/0036348 A1 2/2015 Dong  
 2015/0109786 A1 4/2015 Li

FOREIGN PATENT DOCUMENTS

CN 303219549 S 5/2015  
 CN 303219551 S 5/2015  
 CN 303219552 S 5/2015  
 CN 303219555 S 5/2015  
 CN 303219556 S 5/2015  
 CN 303219560 S 5/2015  
 CN 303219561 S 5/2015  
 CN 303219562 S 5/2015  
 CN 303219563 S 5/2015

OTHER PUBLICATIONS

European Community Design Registration No. 002140533-0002,  
 issued Nov. 11, 2012.

\* cited by examiner

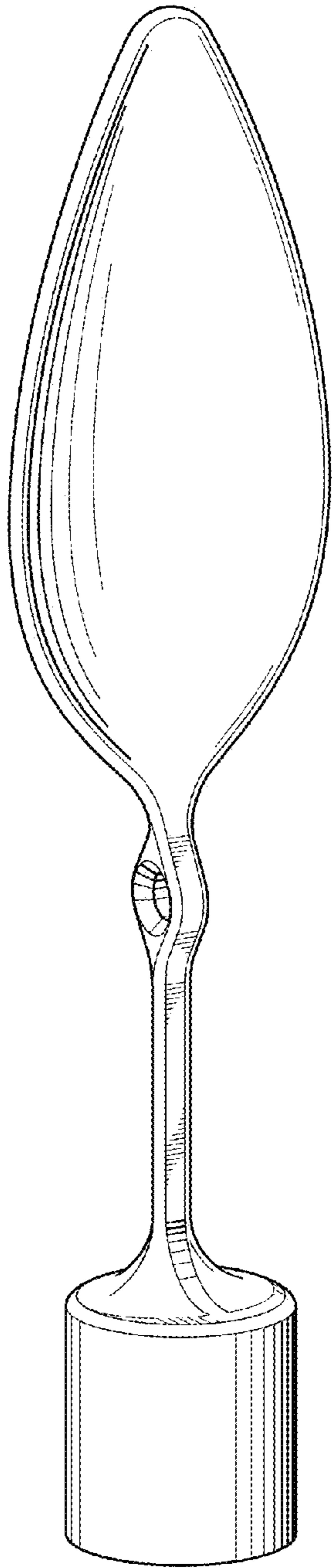


FIG. 1

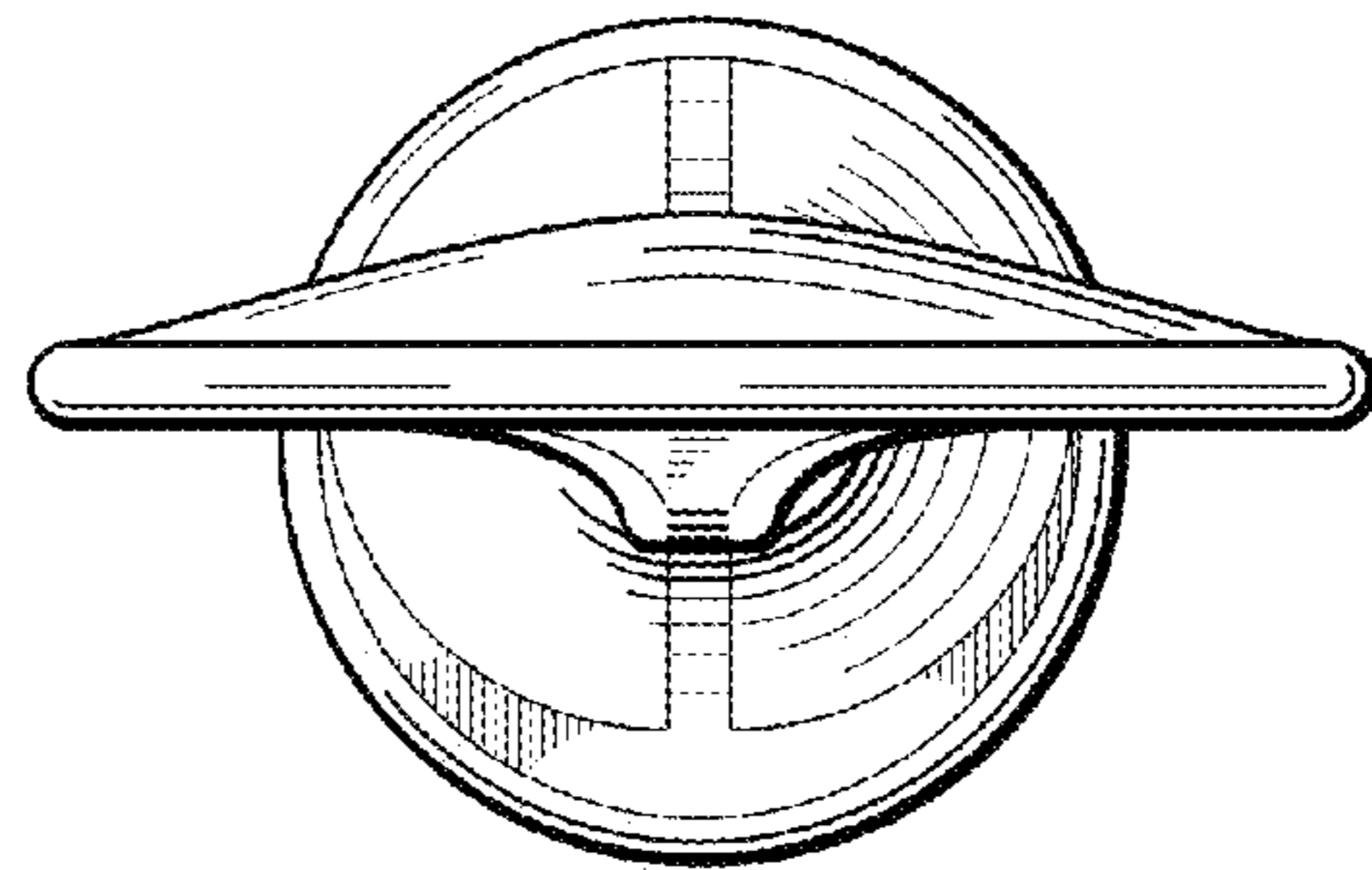


FIG. 2

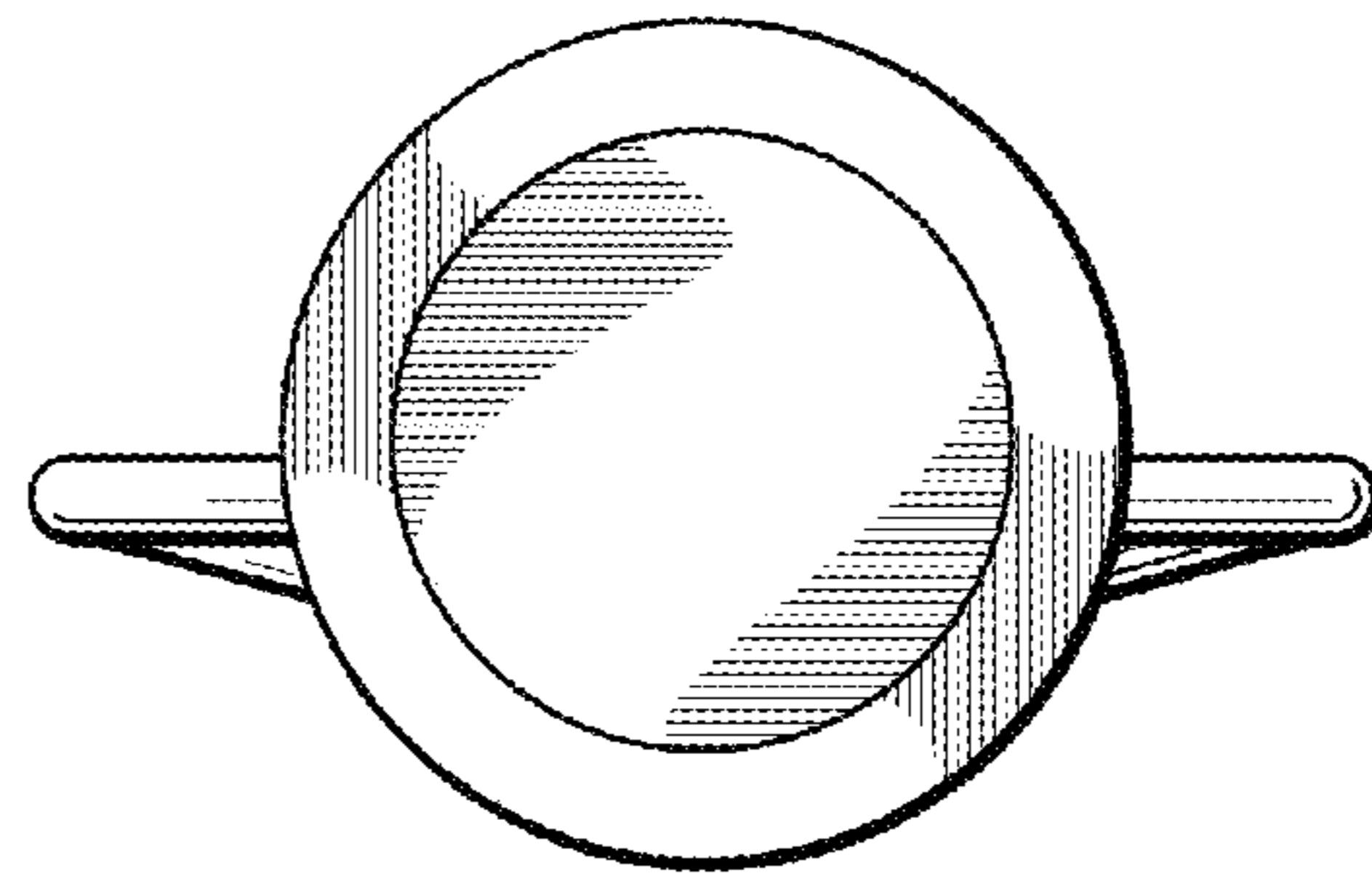


FIG. 3

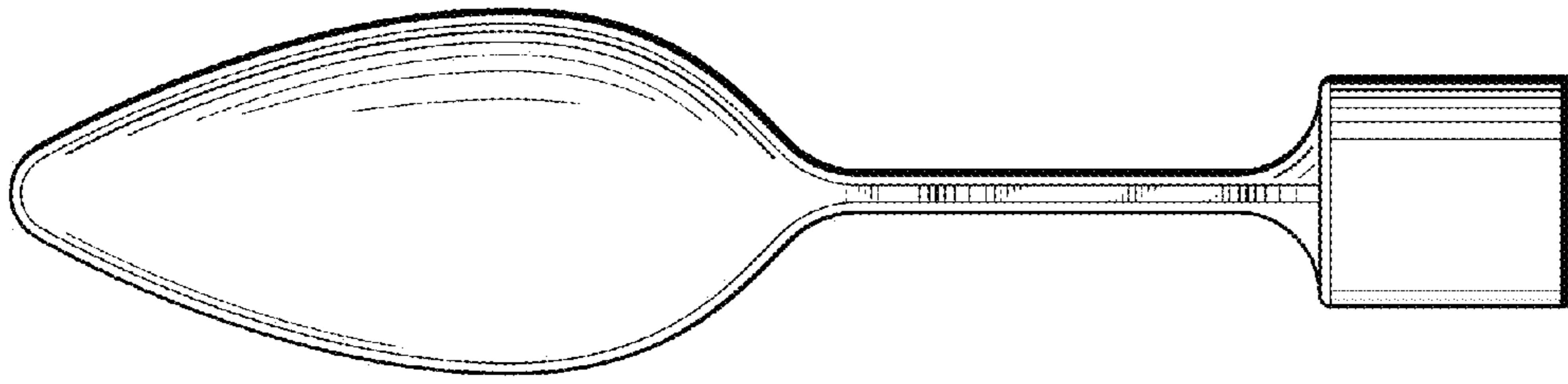


FIG. 6

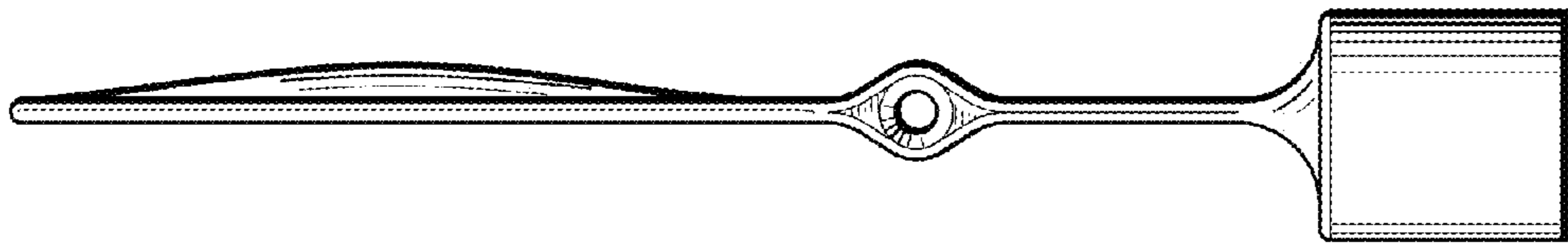


FIG. 5

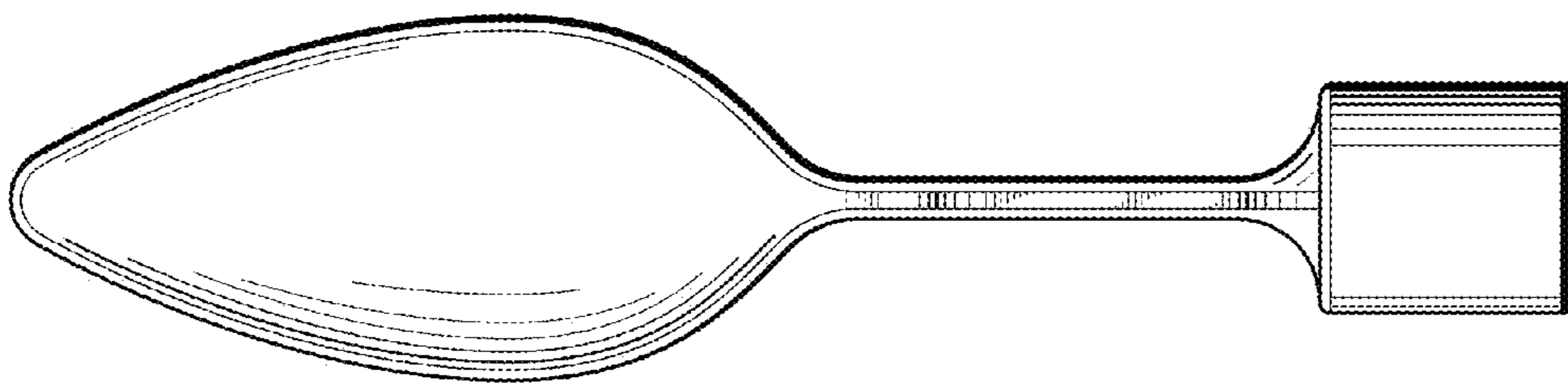


FIG. 4

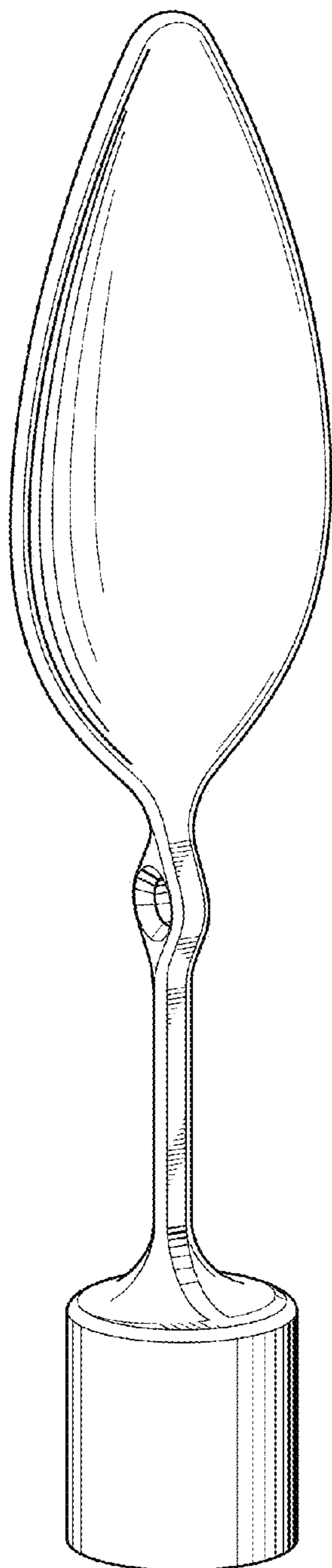


FIG. 7

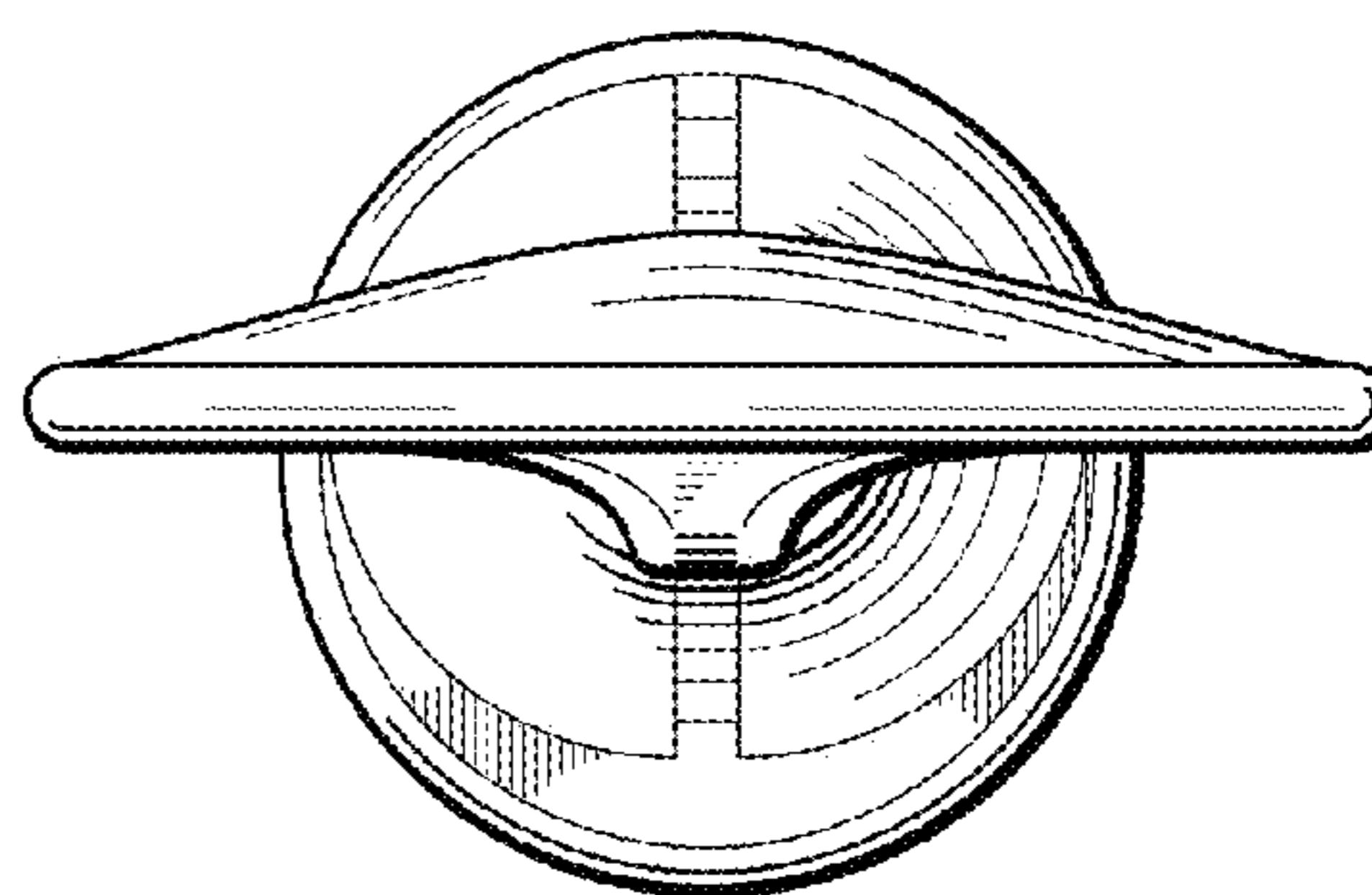


FIG. 8

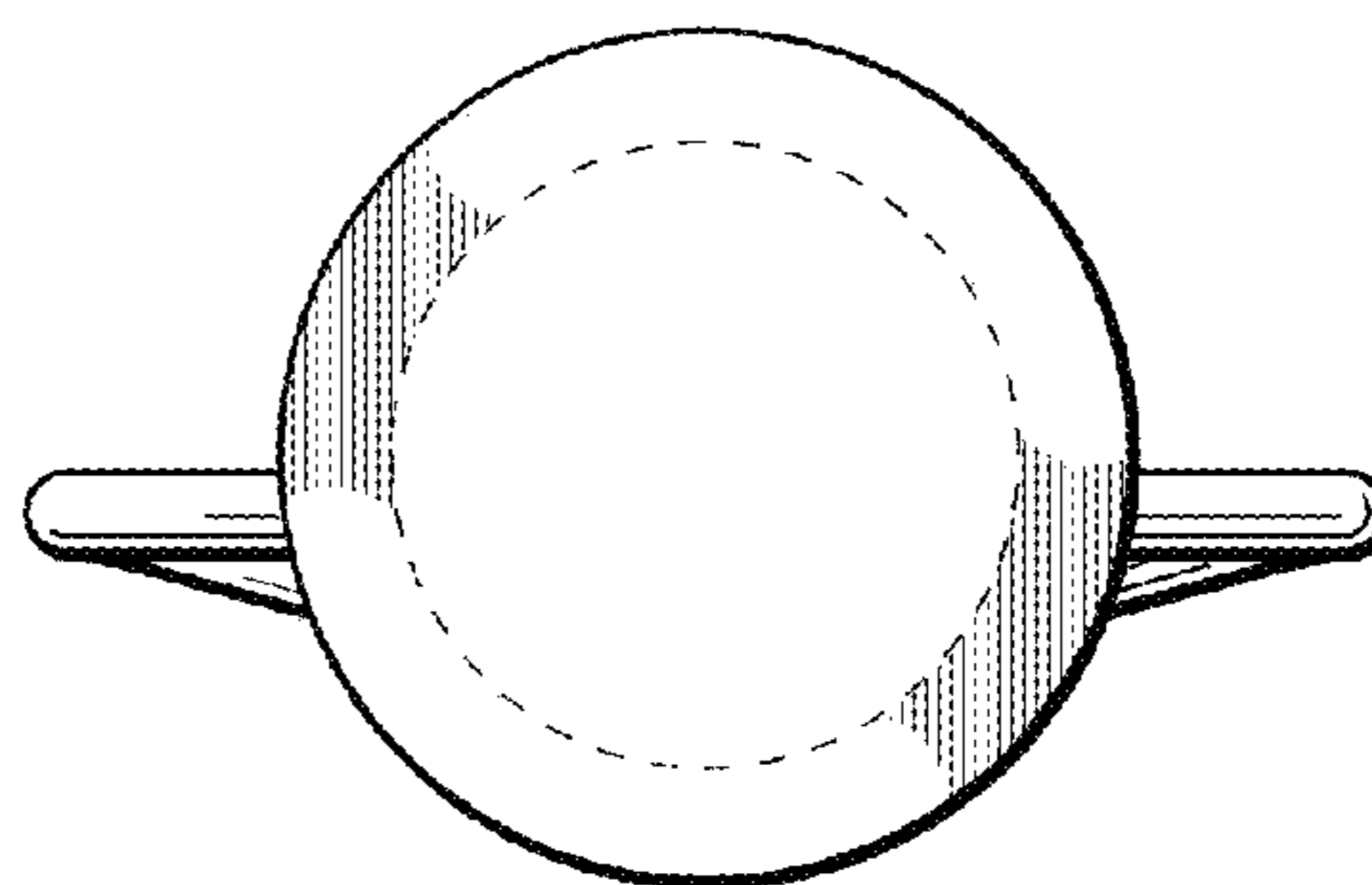


FIG. 9

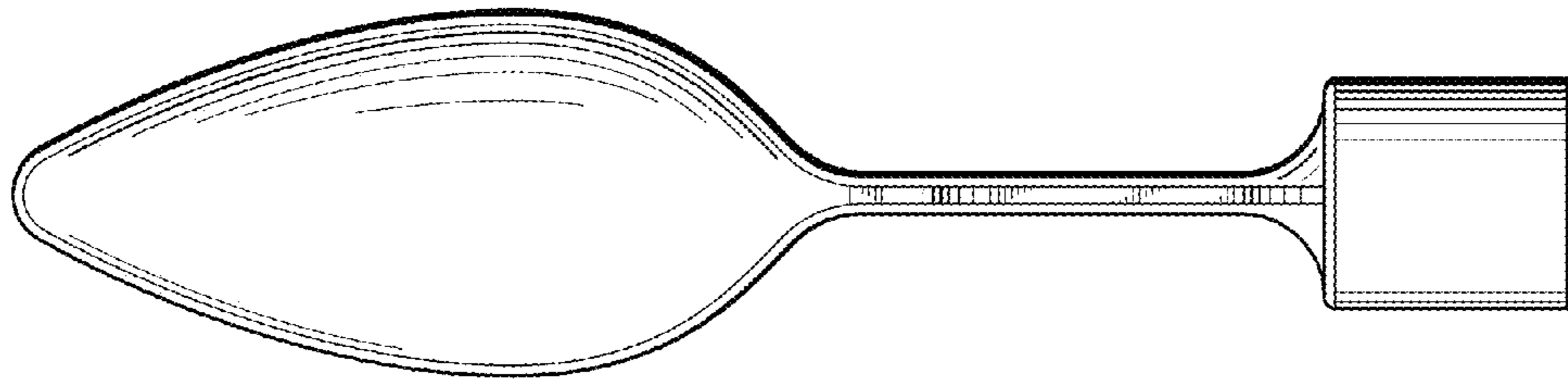


FIG. 10

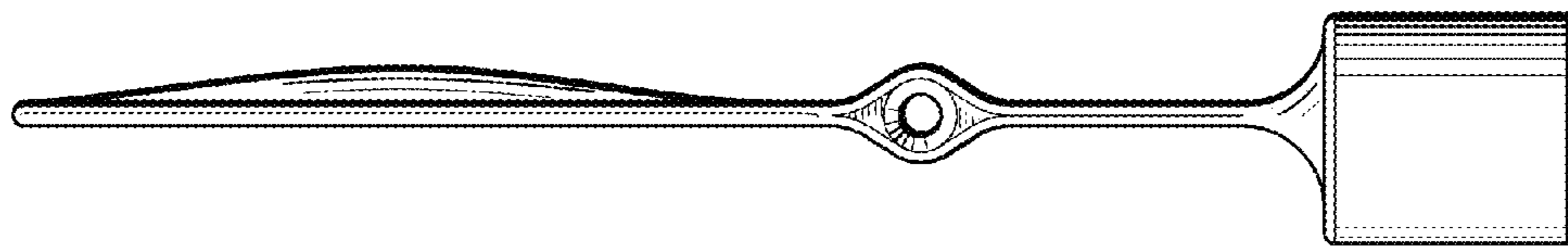


FIG. 11

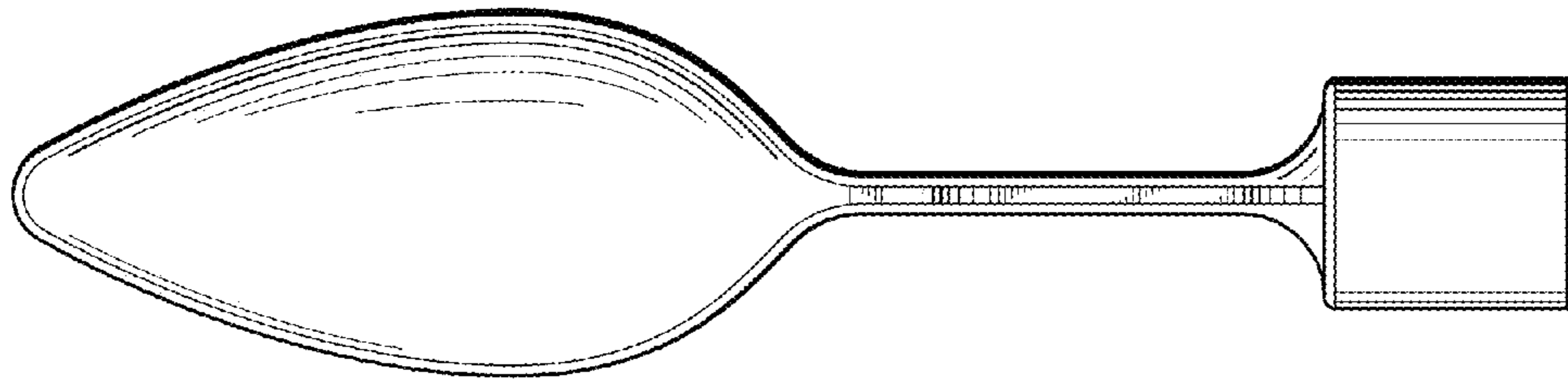


FIG. 12