



US00D752273S

(12) **United States Design Patent**
Pratt et al.

(10) **Patent No.:** **US D752,273 S**
(45) **Date of Patent:** **** Mar. 22, 2016**

(54) **SENSOR MODULE**

(71) Applicant: **Cree, Inc.**, Durham, NC (US)

(72) Inventors: **Spencer Scott Pratt**, Cary, NC (US);
Randy Bernard, Cary, NC (US); **Ethan Creasman**, Morrisville, NC (US)

(73) Assignee: **Cree, Inc.**, Durham, NC (US)

(**) Term: **14 Years**

(21) Appl. No.: **29/480,523**

(22) Filed: **Jan. 27, 2014**

(51) **LOC (10) Cl.** **26-99**

(52) **U.S. Cl.**
USPC **D26/138**; D10/104.1

(58) **Field of Classification Search**
USPC D13/158, 165, 168; D10/70, 104.1,
D10/106.6; D26/24, 26, 72, 138
CPC H05B 37/025; H05B 37/0218; H05B
37/0227; H05B 37/0245; H05B 37/0272;
H05B 33/0842; H05B 33/0854; G01J 1/04;
G01J 1/42; G01D 5/34; G08B 13/1645;
G08B 19/00; F21V 23/0442; F21V 23/0471;
F21V 15/01; F21S 4/008; E04B 9/006;
H01H 37/04; H01H 37/043
See application file for complete search history.

(56) **References Cited**

U.S. PATENT DOCUMENTS

5,126,510	A *	6/1992	Bauer et al.	174/547
5,869,786	A *	2/1999	Jaakkola et al.	174/96
6,466,312	B1	10/2002	Li	
7,411,489	B1	8/2008	Elwell et al.	
7,490,960	B1 *	2/2009	Fiorino et al.	362/276
D587,613	S	3/2009	Williams et al.	
D597,430	S	8/2009	Sloan et al.	
D621,996	S *	8/2010	Redfern et al.	D26/138
D623,344	S *	9/2010	Tsai	D26/138

7,800,049	B2	9/2010	Bandringa et al.	
7,800,498	B2	9/2010	Leonard et al.	
D649,688	S *	11/2011	Trzesniowski	D26/138
D668,164	S	10/2012	Cowles et al.	

(Continued)

OTHER PUBLICATIONS

Restriction Requirement for U.S. Appl. No. 29/473,157, mailed Mar. 16, 2015, 5 pages.

(Continued)

Primary Examiner — Selina Sikder

(74) *Attorney, Agent, or Firm* — Withrow & Terranova, P.L.L.C.

(57) **CLAIM**

The ornamental design for a sensor module, as shown and described.

DESCRIPTION

FIG. 1 is a top isometric view of a sensor module according to our new design.

FIG. 2 is a bottom isometric view of the sensor module of FIG. 1.

FIG. 3 is a top plan view of the sensor module of FIG. 1.

FIG. 4 is a bottom plan view of the sensor module of FIG. 1.

FIG. 5 is a front plan view of the sensor module of FIG. 1.

FIG. 6 is a rear plan view of the sensor module of FIG. 1.

FIG. 7 is a first side plan view of the sensor module of FIG. 1.

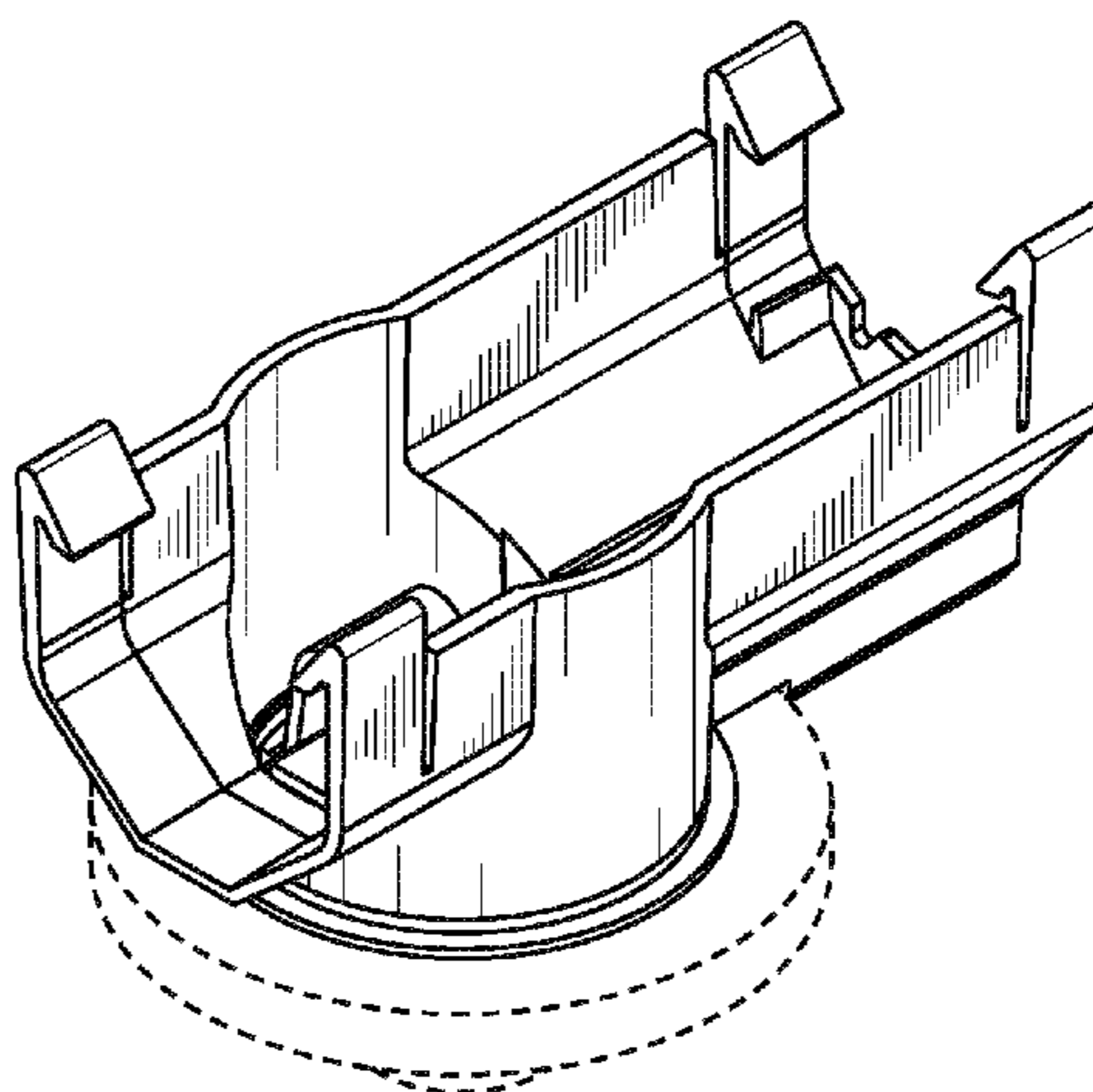
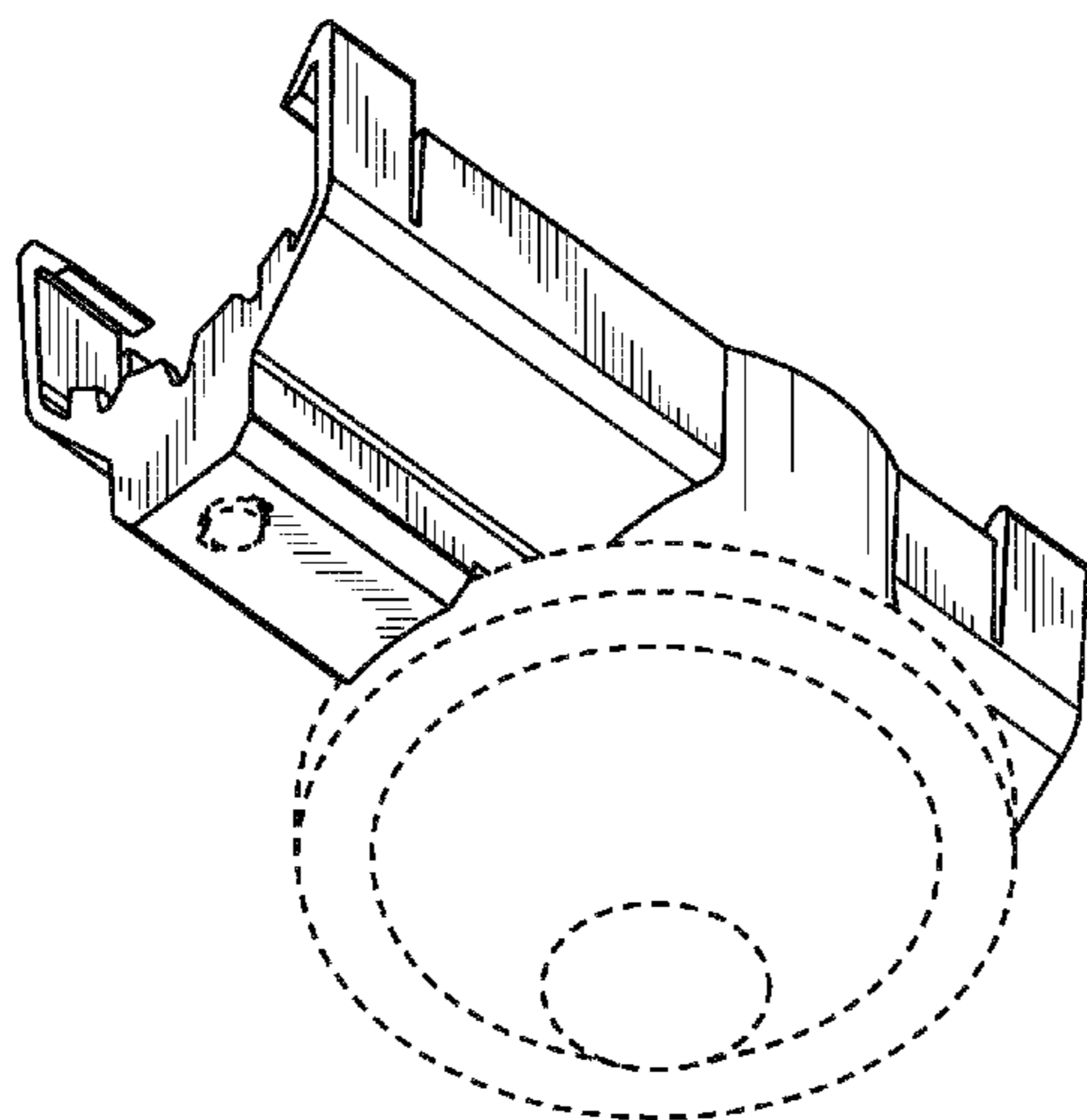
FIG. 8 is a second side plan view of the sensor module of FIG. 1.

FIG. 9 is a top isometric view of a sensor module according to a second embodiment; and,

FIG. 10 is a bottom isometric view of the sensor module of FIG. 9.

The broken lines shown in the drawings depict portions of the sensor module that form no part of the claimed design.

1 Claim, 5 Drawing Sheets



(56)

References Cited

U.S. PATENT DOCUMENTS

8,348,492 B2 * 1/2013 Mier-Langner et al. 362/648
 8,461,510 B2 6/2013 Williams et al.
 8,530,840 B2 * 9/2013 Carberry et al. 250/338.1
 8,616,720 B2 * 12/2013 Carney et al. 362/147
 D698,076 S * 1/2014 Klus D26/138
 8,651,711 B2 * 2/2014 Rudisill et al. 362/398
 D706,152 S 6/2014 Ni et al.
 8,764,220 B2 * 7/2014 Chan et al. 362/217.02
 2004/0252514 A1 * 12/2004 Okabe et al. 362/362
 2007/0229297 A1 10/2007 Leonard et al.
 2007/0273290 A1 11/2007 Ashdown et al.
 2008/0278079 A1 * 11/2008 Chen et al. 315/51
 2009/0046457 A1 2/2009 Everhart
 2009/0279298 A1 * 11/2009 Mier-Langner et al. 362/235
 2010/0013619 A1 1/2010 Zimmer
 2010/0052894 A1 3/2010 Steiner et al.
 2010/0277917 A1 * 11/2010 Shan 362/249.02
 2010/0294915 A1 11/2010 Williams et al.
 2012/0169507 A1 7/2012 Dyer et al.
 2013/0033872 A1 2/2013 Randolph et al.

2013/0200805 A1 8/2013 Scapa et al.
 2013/0207528 A1 8/2013 Carberry et al.
 2013/0341510 A1 12/2013 Aurongzeb et al.
 2014/0001362 A1 1/2014 Huang
 2014/0001952 A1 1/2014 Harris et al.
 2014/0001962 A1 1/2014 Harris
 2014/0043733 A1 2/2014 Huang
 2014/0061480 A1 3/2014 Huang
 2014/0070710 A1 3/2014 Harris
 2014/0239821 A1 8/2014 Leonard
 2014/0293646 A1 * 10/2014 Iwazaki et al. 362/609
 2014/0313711 A1 * 10/2014 Hwu et al. 362/218
 2014/0379305 A1 12/2014 Kumar
 2015/0009664 A1 * 1/2015 Liang 362/219

OTHER PUBLICATIONS

Notice of Allowance for U.S. Appl. No. 29/473,157, mailed Jun. 4, 2015, 7 pages.
 Non-Final Office Action for U.S. Appl. No. 14/084,183, mailed Jun. 24, 2015, 5 pages.

* cited by examiner

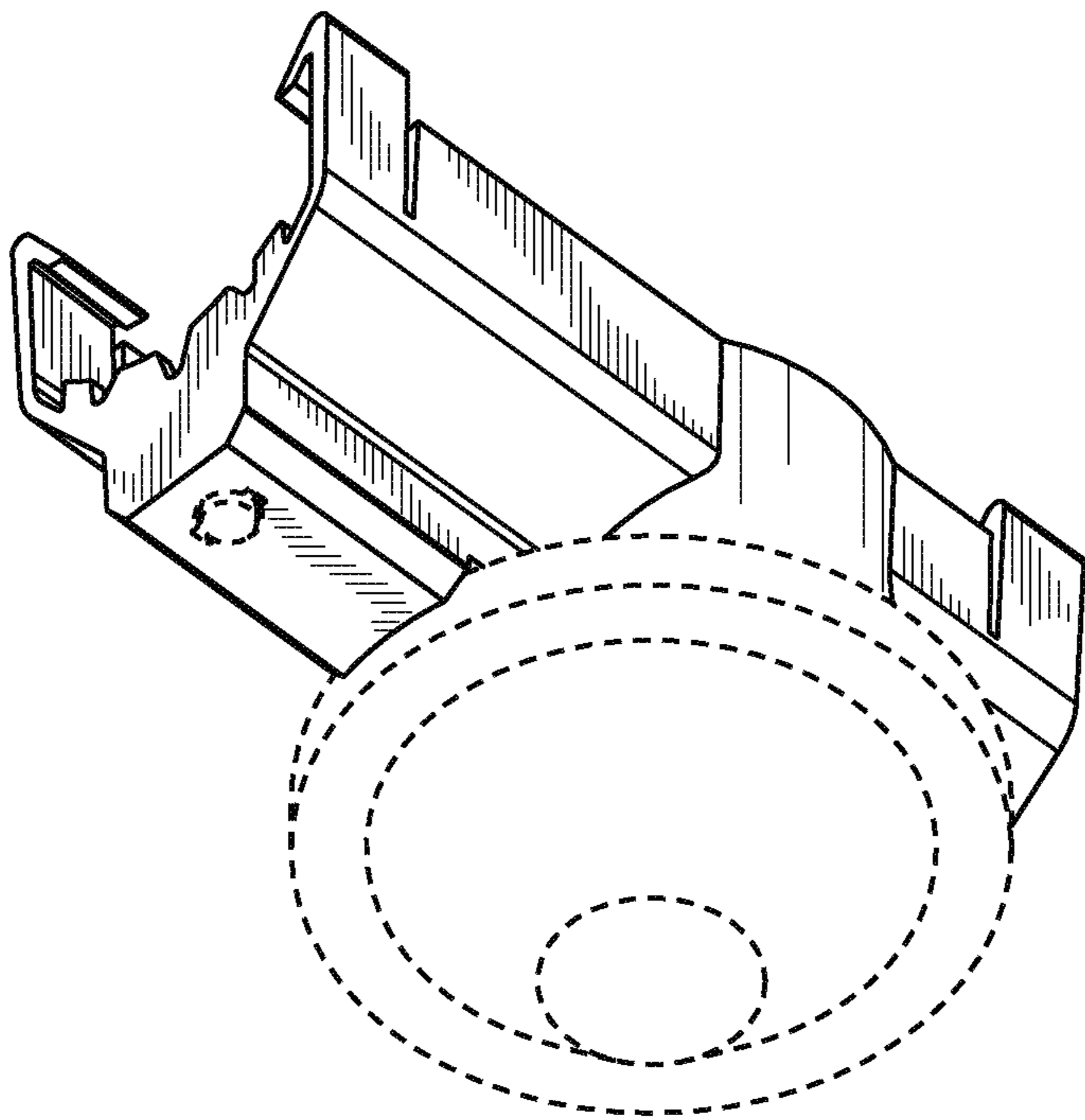


FIG. 1

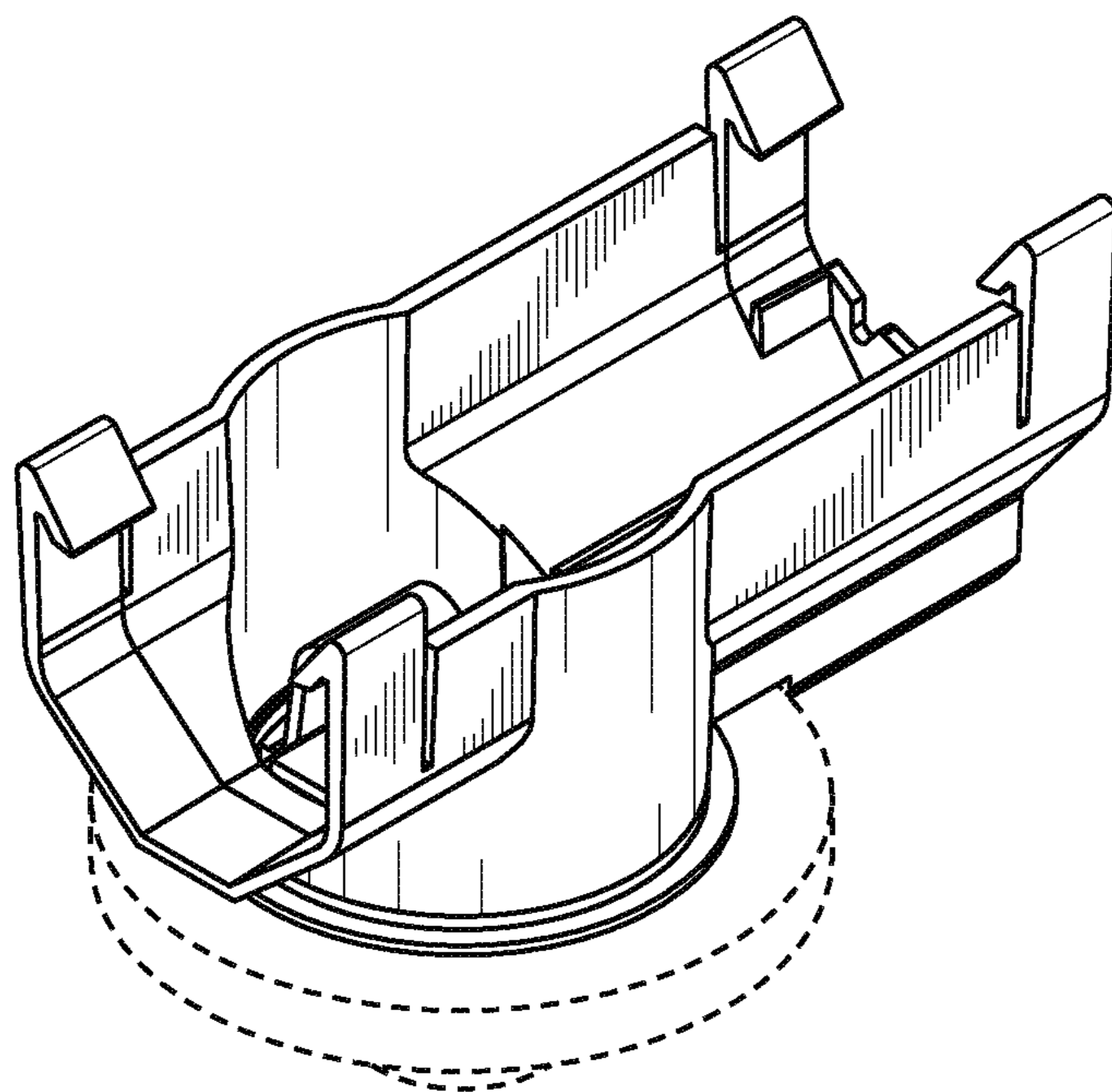


FIG. 2

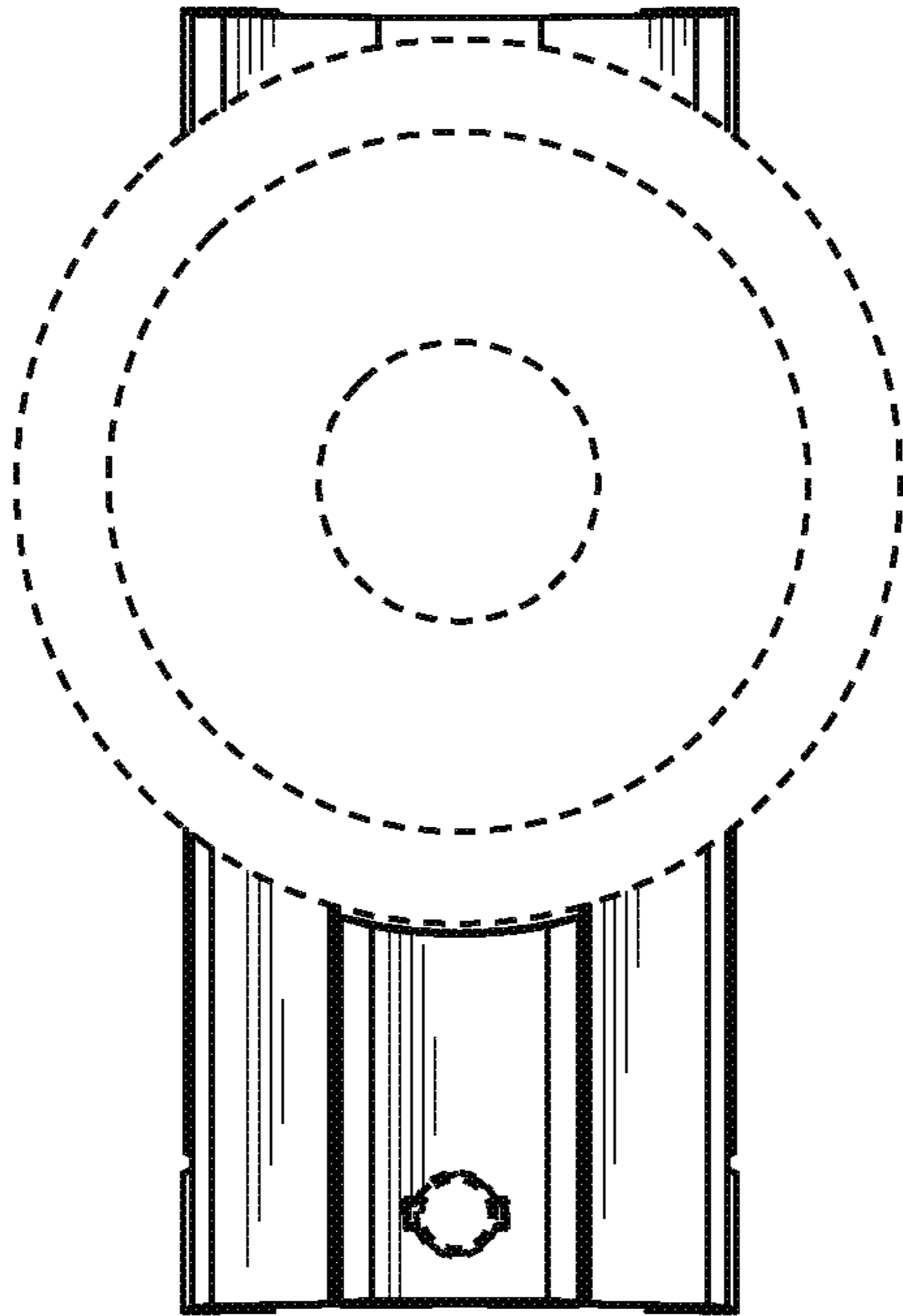


FIG. 3

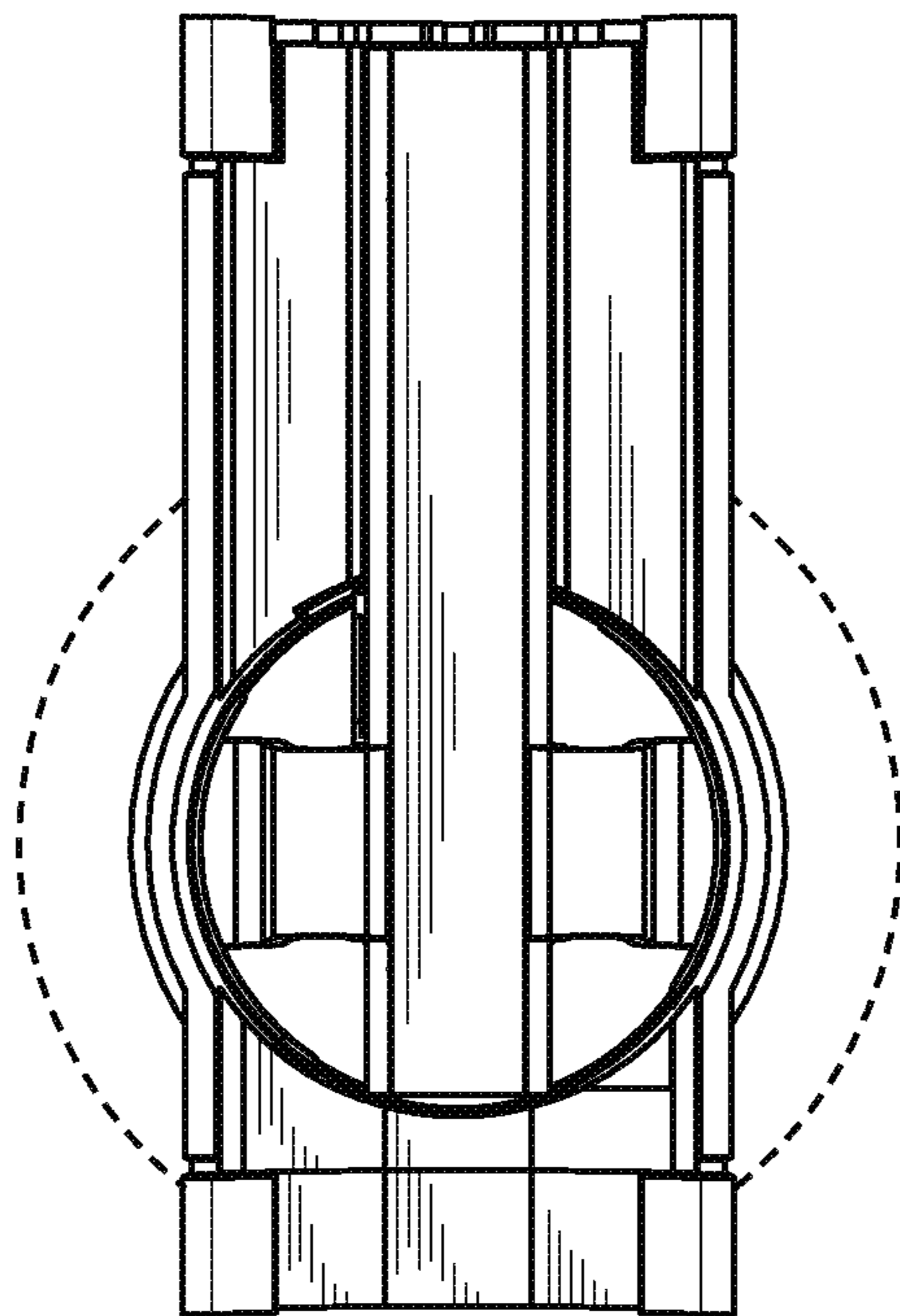


FIG. 4

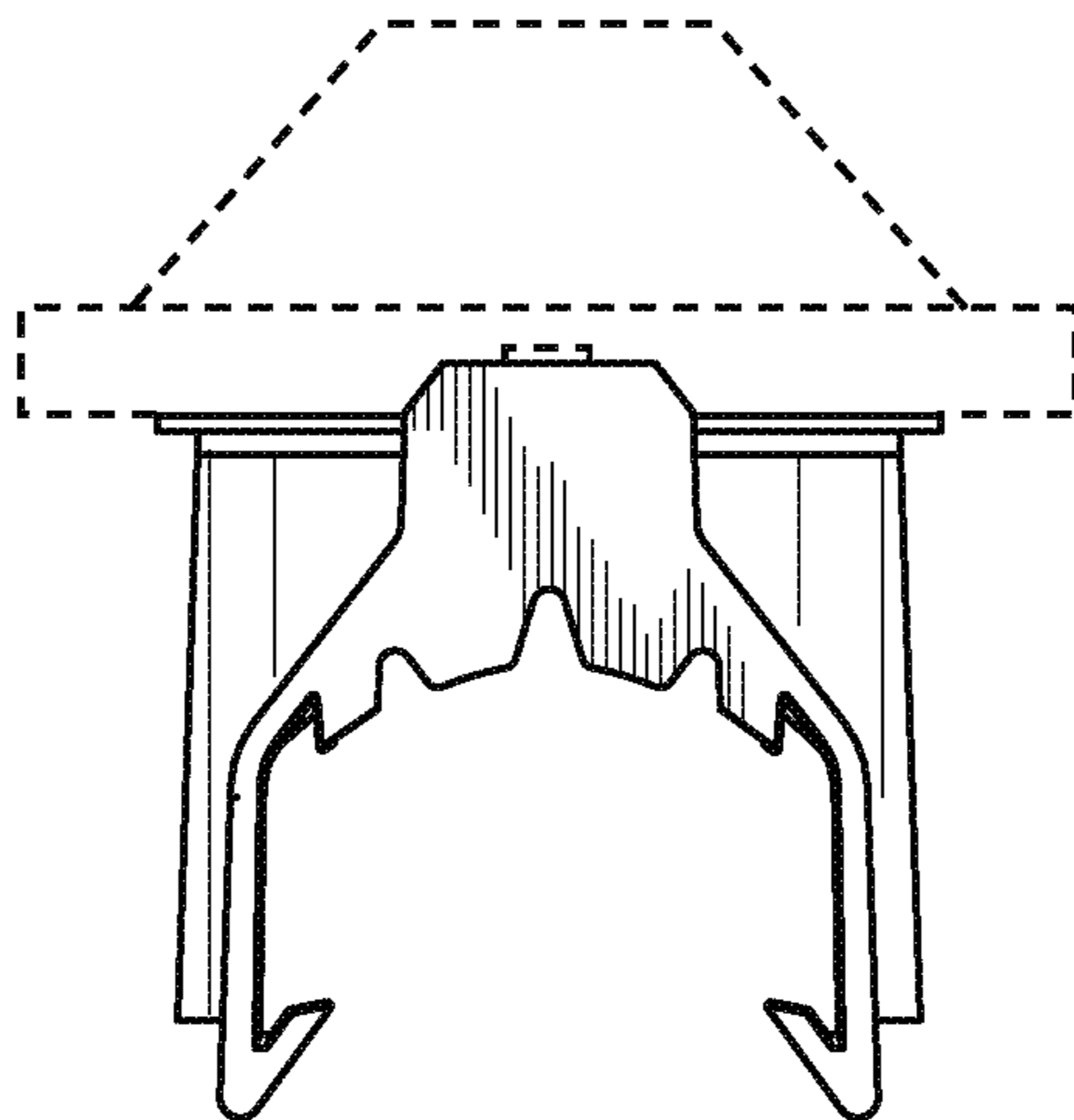


FIG. 5

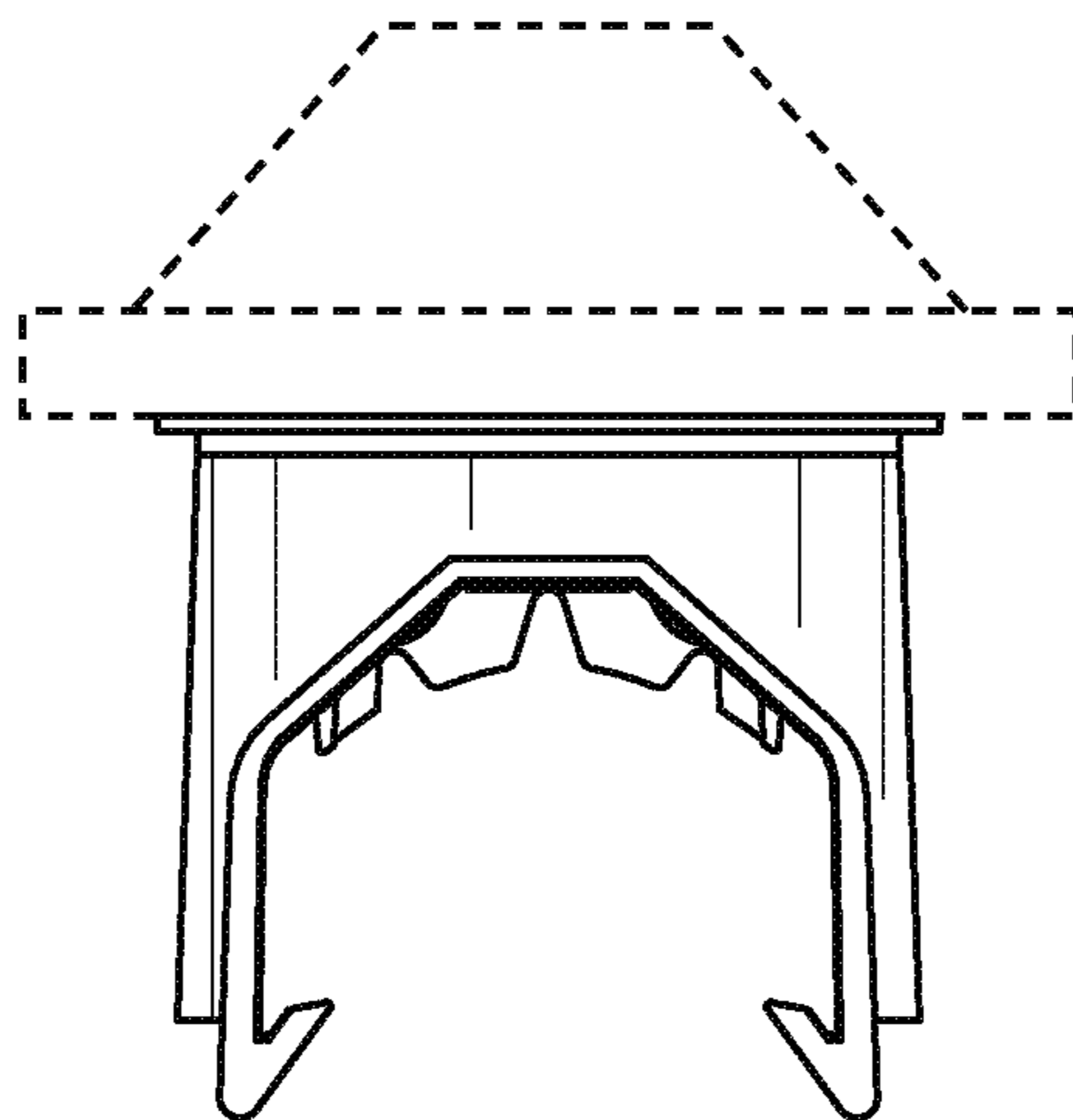


FIG. 6

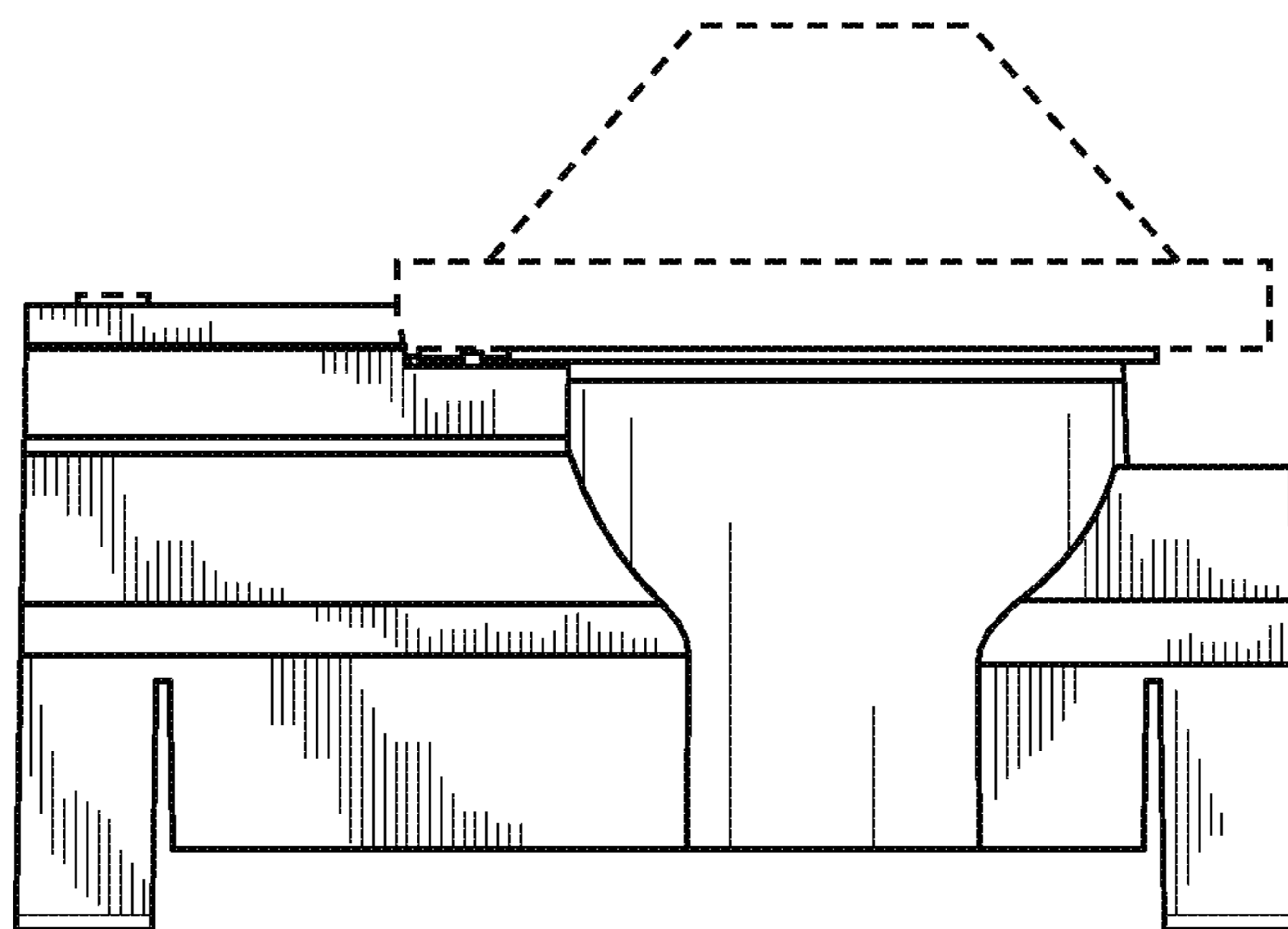


FIG. 7

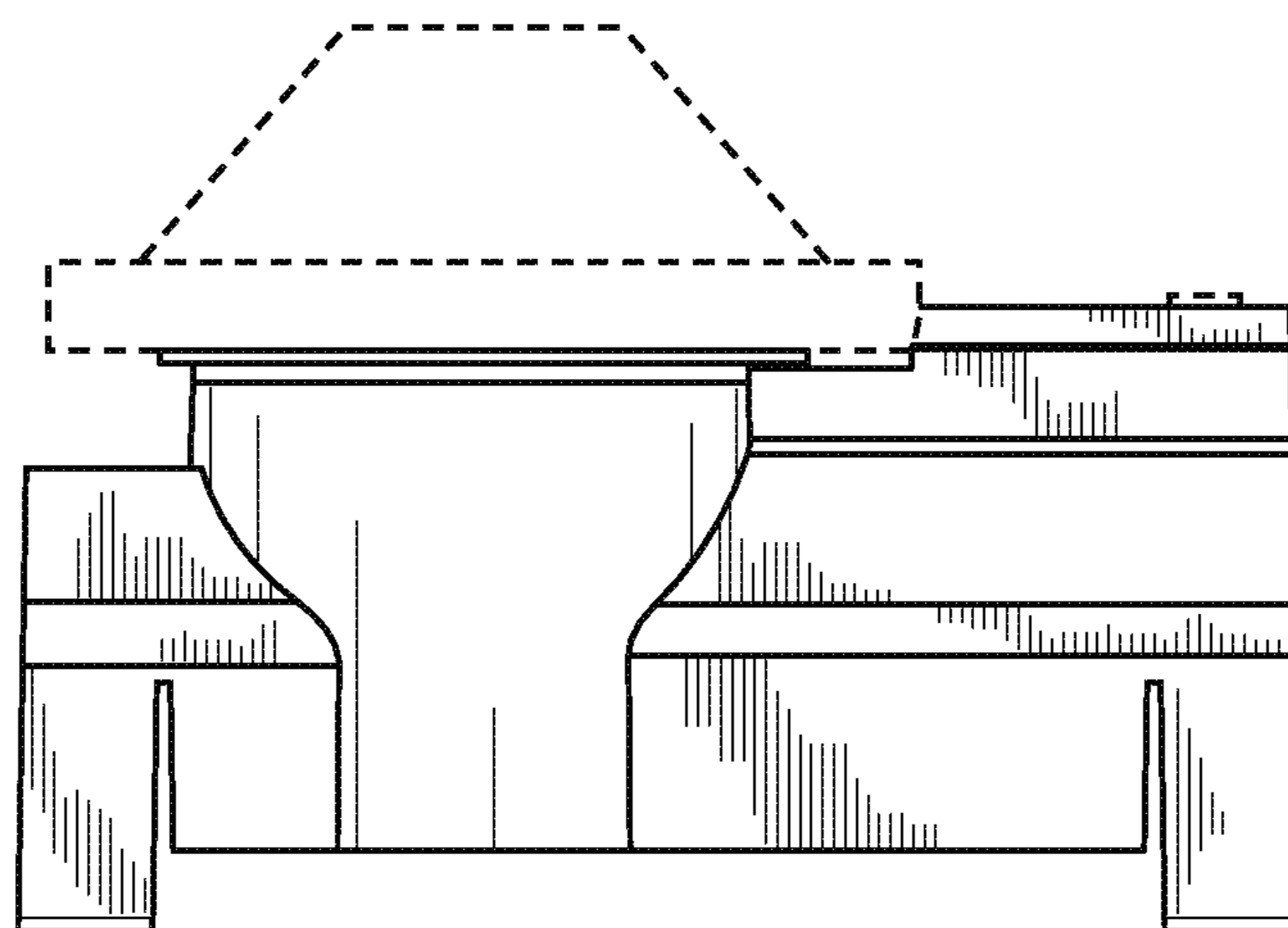


FIG. 8

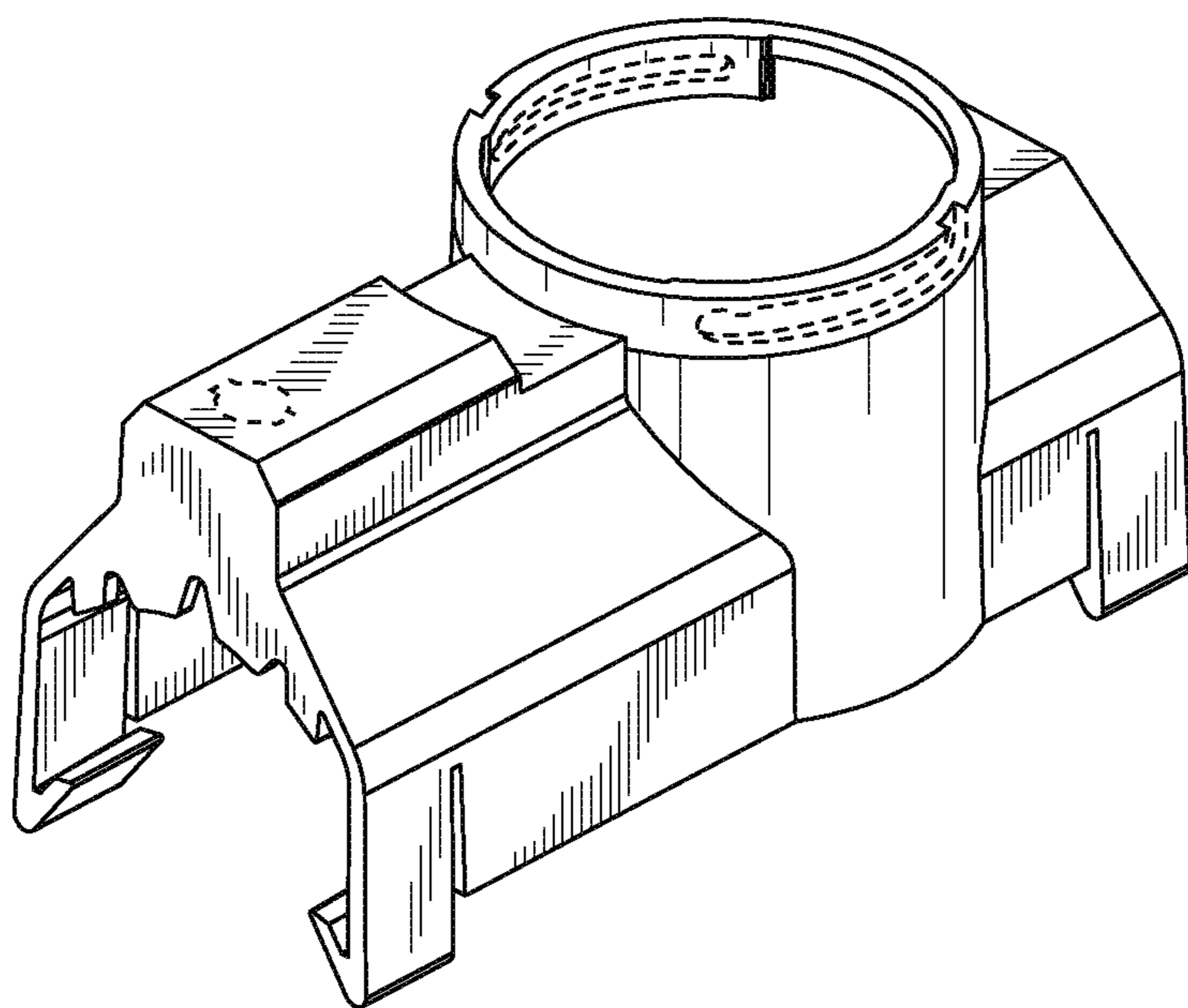


FIG. 9

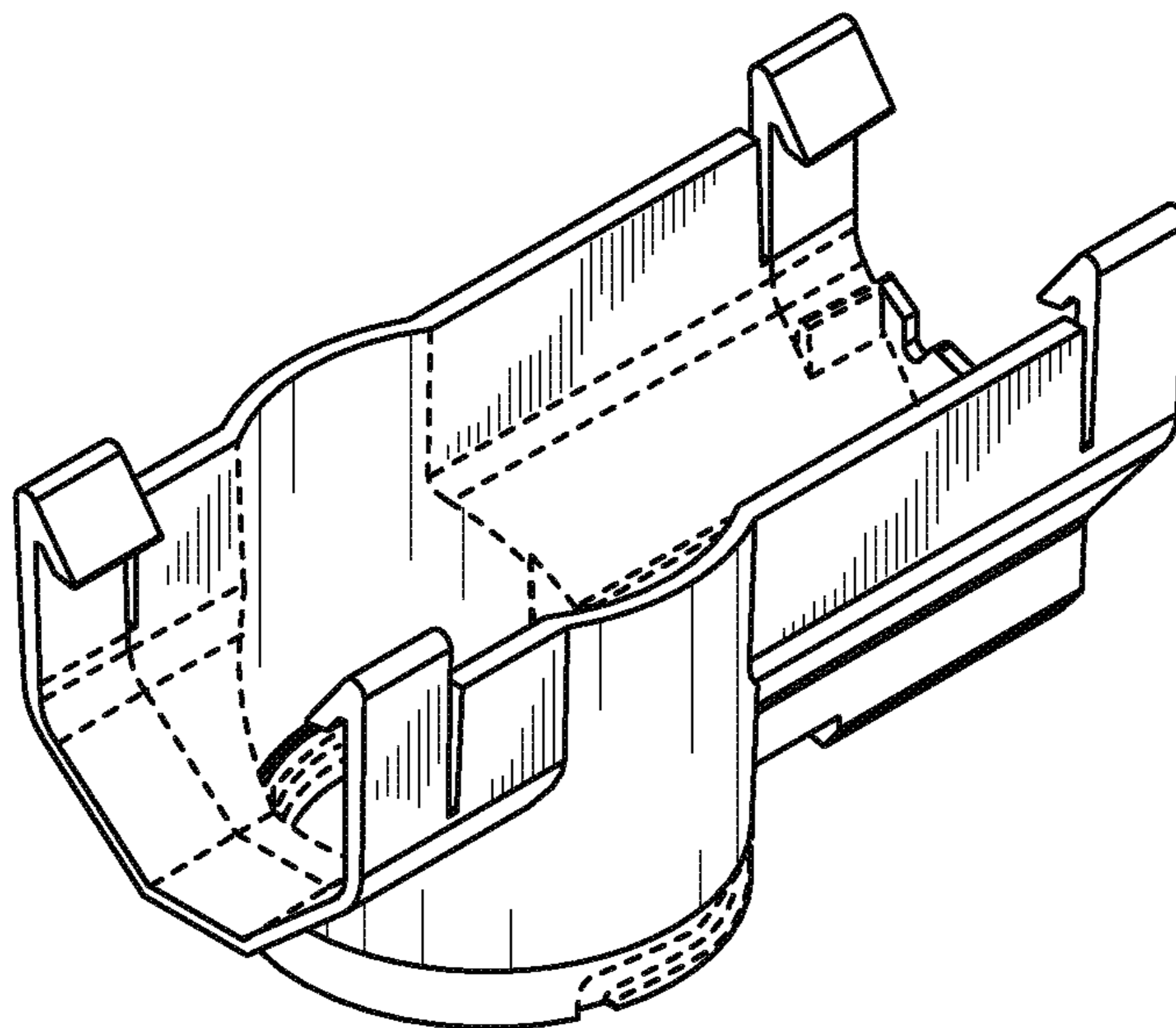


FIG. 10