



US00D752272S

(12) **United States Design Patent**
Denninger et al.

(10) **Patent No.:** **US D752,272 S**
(45) **Date of Patent:** **** Mar. 22, 2016**

(54) **ELECTRONIC COMPONENT FOR ILLUMINATION DEVICE**

D388,125 S * 12/1997 Rath D20/10
D388,126 S * 12/1997 Rath D20/10
5,778,582 A * 7/1998 Rath G09F 7/18
40/611.01

(71) Applicant: **BeON Home Inc.**, Cambridge, MA (US)

(Continued)

(72) Inventors: **Michael Denninger**, Bedford, MA (US);
Martin Forest, Nashua, NH (US);
Arvind S. Baliga, Lexington, MA (US);
Alexei A. Erchak, Cambridge, MA (US)

FOREIGN PATENT DOCUMENTS

WO WO 2014/179531 A2 11/2014

(73) Assignee: **BeON Home Inc.**, Cambridge, MA (US)

(**) Term: **14 Years**

OTHER PUBLICATIONS

Simplehuman Semi-Round Step Trash Can, image post date Nov. 17, 2013, site visited Oct. 19, 2015, (online), <http://www.amazon.com/simplehuman-Semi-Round-Trash-Stainless-Steel/dp/B001BO76WY/ref=pd_sim_201_6?ie=UTF8&refRID=1E21CJ97Y48S3E65HBNY&dpID=31Pa%2BaCMxhL&dpSrc=sims&preST=_AC_UL160_SR120%2C160_>>.*

(21) Appl. No.: **29/504,683**

(Continued)

(22) Filed: **Oct. 8, 2014**

(51) **LOC (10) Cl.** **26-99**

(52) **U.S. Cl.**
USPC **D26/113**

(58) **Field of Classification Search**
USPC D10/18, 21, 24, 25, 27, 28, 46, 93, 104,
D10/106, 113, 116.1, 121; D26/72, 118,
D26/120, 124, 138, 2, 89, 142
CPC A63H 30/04; G05G 2009/04748;
H04B 1/1027; F21S 8/04; F21S 2/005;
F21S 2/00; B29D 21/04; F21V 15/015;
F21V 27/00; F21V 21/14; F21V 21/005;
F21Y 2103/00; F41C 27/00; F41C 33/0254
See application file for complete search history.

Primary Examiner — Kevin Rudzinski
Assistant Examiner — Sean D Lough
(74) *Attorney, Agent, or Firm* — Wolf, Greenfield & Sacks, P.C.

(57) **CLAIM**
The ornamental design for the electronic component for illumination device, as shown and described.

DESCRIPTION

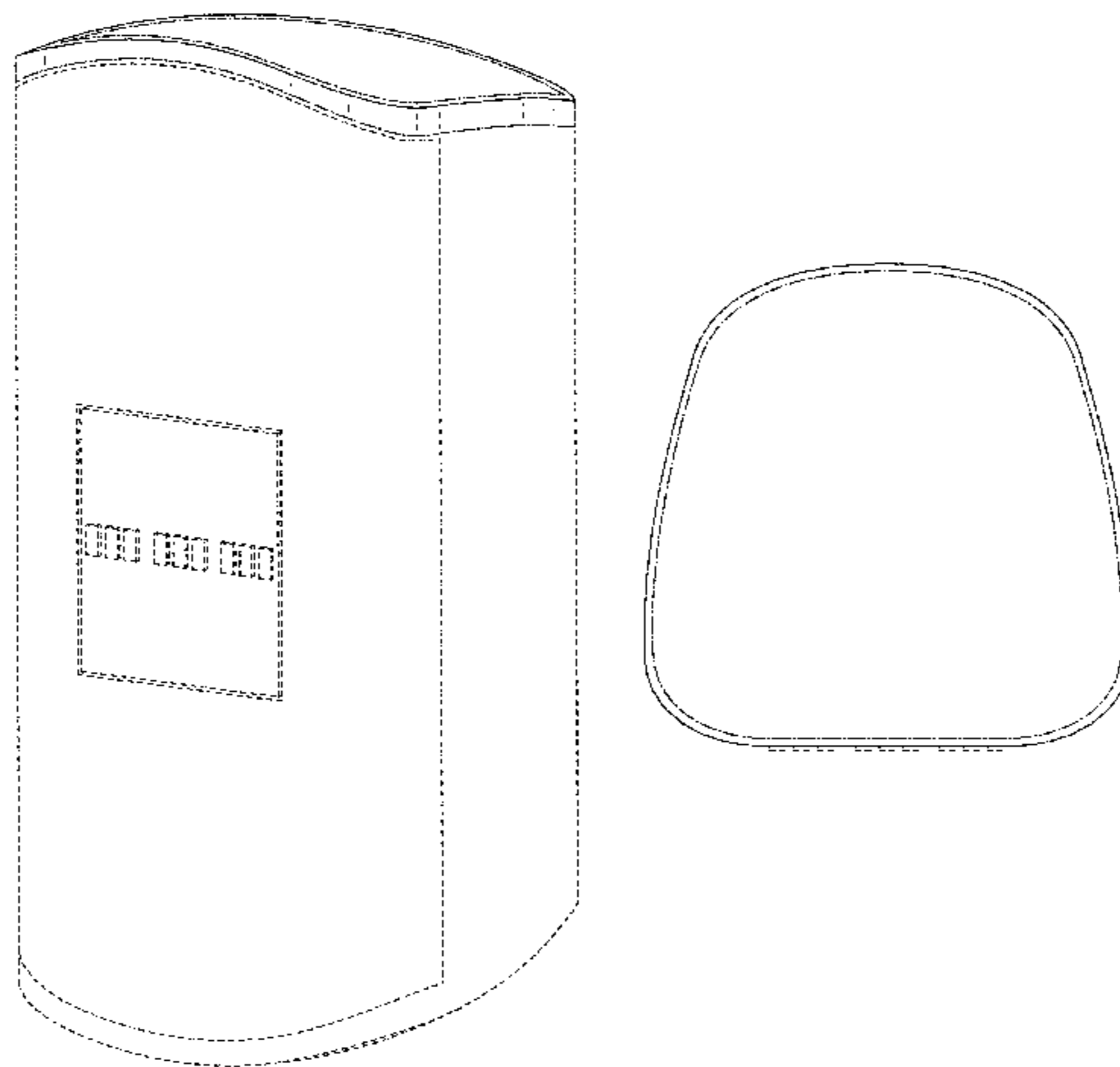
FIG. 1 is a top, front, right side perspective view of the electronic component for illumination device showing our new design;
FIG. 2 is a front elevation view thereof;
FIG. 3 is a rear elevation view thereof;
FIG. 4 is a right side elevation view thereof;
FIG. 5 is a left side elevation view thereof;
FIG. 6 is a top plan view thereof; and,
FIG. 7 is a bottom plan view thereof.
The broken lines illustrate portions of the electronic component for illumination device that form no part of the claimed design. The dash-dot-dash lines shown in the figures (including FIGS. 1-6) define boundaries of the claimed design and form no part of the claimed design.

(56) **References Cited**

U.S. PATENT DOCUMENTS

2,447,239 A * 8/1948 Edens A47D 1/10
297/370
D161,830 S * 2/1951 Grossman D26/128
D183,152 S * 7/1958 Wellhofer D10/118
3,178,569 A * 4/1965 Martin F21S 8/033
362/296.05
D223,546 S * 5/1972 Gandini D26/108
D261,562 S * 10/1981 Suzuki D26/111
4,323,820 A 4/1982 Teich
D264,320 S * 5/1982 Doggart D10/118

1 Claim, 7 Drawing Sheets



(56)

References Cited

U.S. PATENT DOCUMENTS

D399,588 S * 10/1998 St. Ives D26/76
 6,257,737 B1 * 7/2001 Marshall F21S 8/04
 362/231
 D455,223 S * 4/2002 Crosby D26/85
 D463,061 S * 9/2002 Ludwig D26/118
 D507,844 S * 7/2005 Friedman D26/118
 D530,037 S * 10/2006 Bucher D26/67
 D531,307 S * 10/2006 Shurtleff D23/413
 D540,978 S * 4/2007 Cormier D26/120
 D568,531 S * 5/2008 Compton D26/155
 D570,516 S * 6/2008 Orellana D26/71
 D571,409 S * 6/2008 Frey D20/10
 7,473,015 B1 * 1/2009 Chen F21V 1/00
 362/352
 D595,447 S * 6/2009 Purcell D26/76
 D608,935 S * 1/2010 Pedersen D26/85
 D609,843 S * 2/2010 Ngai D26/88
 D614,342 S * 4/2010 Pastor D26/93
 D615,695 S * 5/2010 Boissevain D26/118
 D618,382 S * 6/2010 Huang D26/118
 D619,297 S * 7/2010 Huang D26/118
 D623,797 S * 9/2010 Boissevain D26/118
 D630,374 S * 1/2011 Leen D26/138
 D630,386 S * 1/2011 Bise D30/118
 D641,921 S * 7/2011 Sabernig D26/120
 D645,996 S 9/2011 Wey et al.
 8,033,686 B2 10/2011 Recker et al.
 D656,252 S 3/2012 Engl et al.
 D656,267 S * 3/2012 Laporte D26/120
 D658,601 S * 5/2012 Egawa D13/180
 D664,284 S * 7/2012 Komarov D26/118
 D665,810 S * 8/2012 Jones D14/440
 D667,163 S * 9/2012 Blum D26/118
 D670,427 S * 11/2012 Henderson D26/118
 8,317,363 B2 * 11/2012 Zheng F21V 29/76
 362/231
 8,415,901 B2 4/2013 Recker et al.
 8,430,402 B2 4/2013 Diehl et al.

D687,174 S 7/2013 Hsu et al.
 D688,820 S 8/2013 Yang et al.
 D693,958 S * 11/2013 Holley D26/118
 D694,916 S 12/2013 Su
 D696,335 S * 12/2013 Li D16/237
 D697,126 S * 1/2014 Kim D16/239
 D704,198 S * 5/2014 Kim D14/447
 D714,970 S * 10/2014 Wu D26/118
 D718,214 S * 11/2014 Shipman D12/401
 D719,684 S 12/2014 Grajcar
 D723,150 S * 2/2015 Furner D23/366
 D727,558 S * 4/2015 Tang D26/120
 D729,435 S * 5/2015 Arndt D26/118
 D729,436 S * 5/2015 Arndt D26/118
 D729,928 S * 5/2015 Thornton D23/413
 D732,728 S * 6/2015 Rischau D26/113
 D736,987 S * 8/2015 Wiedemer D26/118
 9,107,512 B2 * 8/2015 Chen A47C 27/085
 D737,709 S * 9/2015 Hulan D10/104.1
 2006/0262551 A1 * 11/2006 Fallahi F21S 48/1159
 362/518
 2010/0171145 A1 7/2010 Morgan et al.
 2011/0095687 A1 4/2011 Jonsson
 2013/0249392 A1 9/2013 Kim

OTHER PUBLICATIONS

Tall Laundry Hamper With Lid, image post date Dec. 29, 2013, site visited Oct. 19, 2015, (online), <<https://www.tineye.com/search/e383f4700d91788f66af196c2d80653c9ee91ad0/>>.*
 Lid, image post date Feb. 20, 2015, site visited Oct. 19, 2015, (online), <<https://www.tineye.com/search/da3634907d827f613eedd01289925a4f84afe6/>>.*
 Plastic Mirror with Rounded Corners, image post date May 24, 2012, site visited Oct. 19, 2015, (online), <http://www.amazon.com/Plastic-Mirrors-Rounded-Classroom-Activities/dp/B008673JAM/ref=pd_bxgy_201_img_2?ie=UTF8&refRID=0YW50P3D2219P8QNT2TJ>.*
 Notice of Allowance for U.S. Appl. No. 29/504,684 mailed Nov. 24, 2015.

* cited by examiner

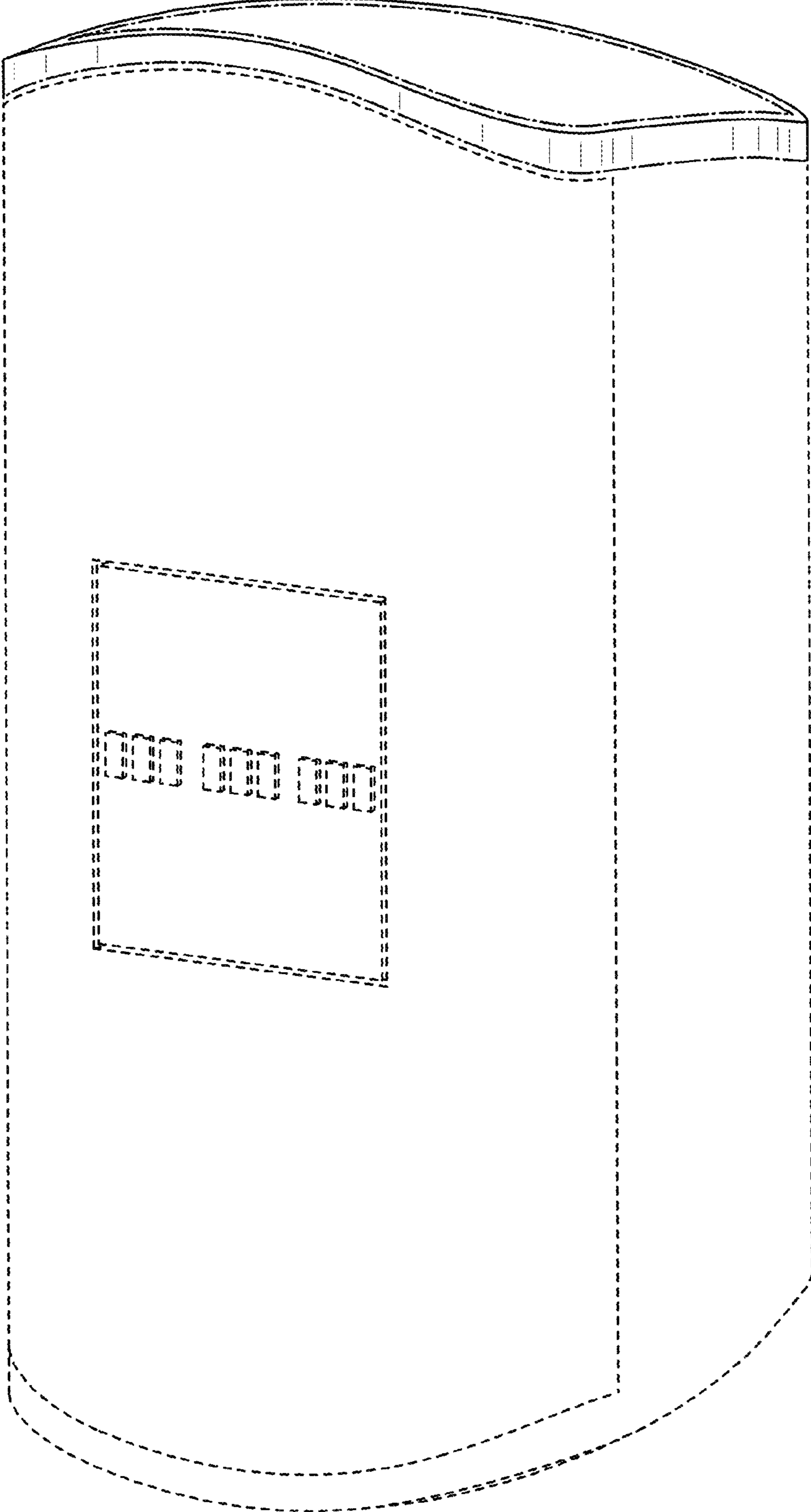


FIG. 1

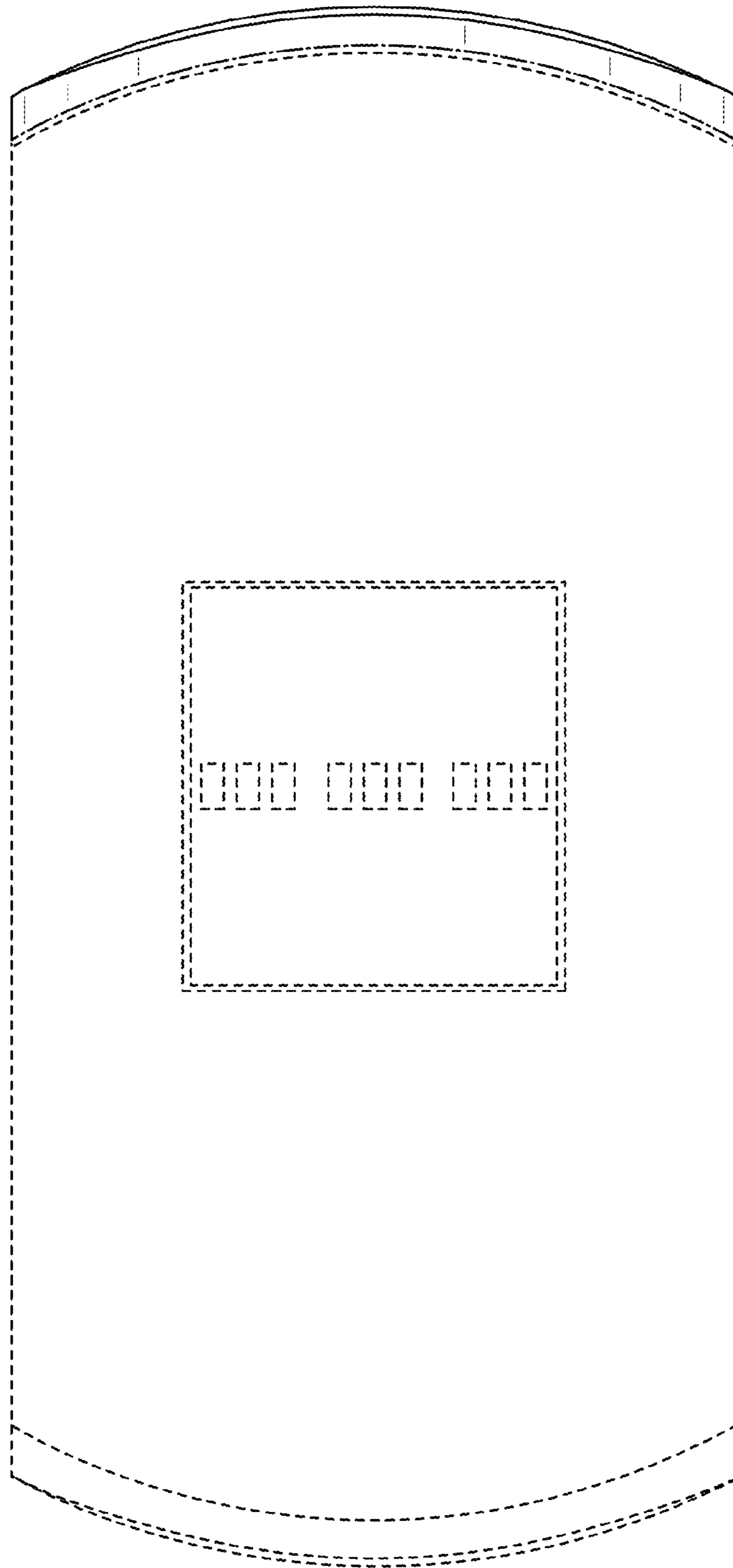


FIG. 2

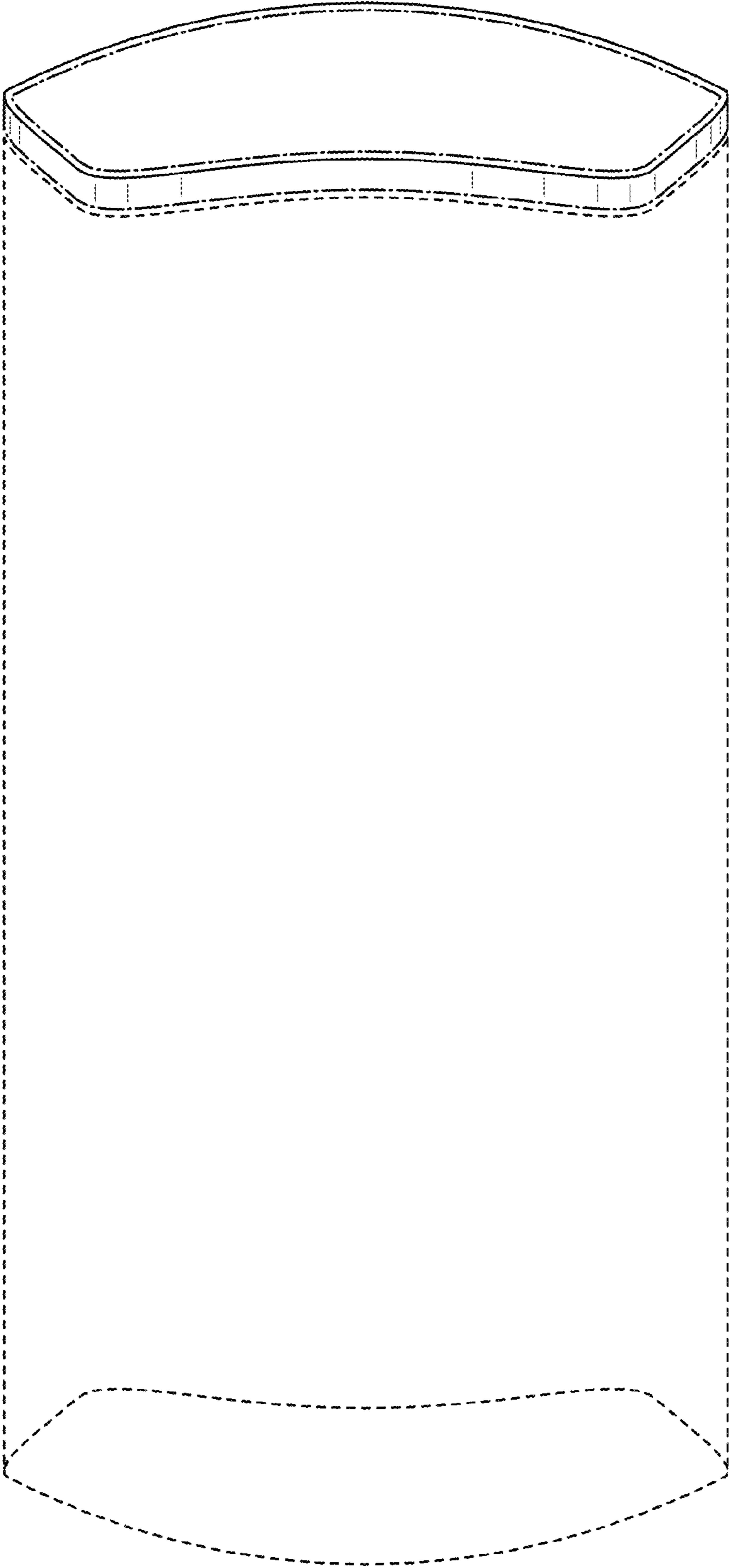


FIG. 3

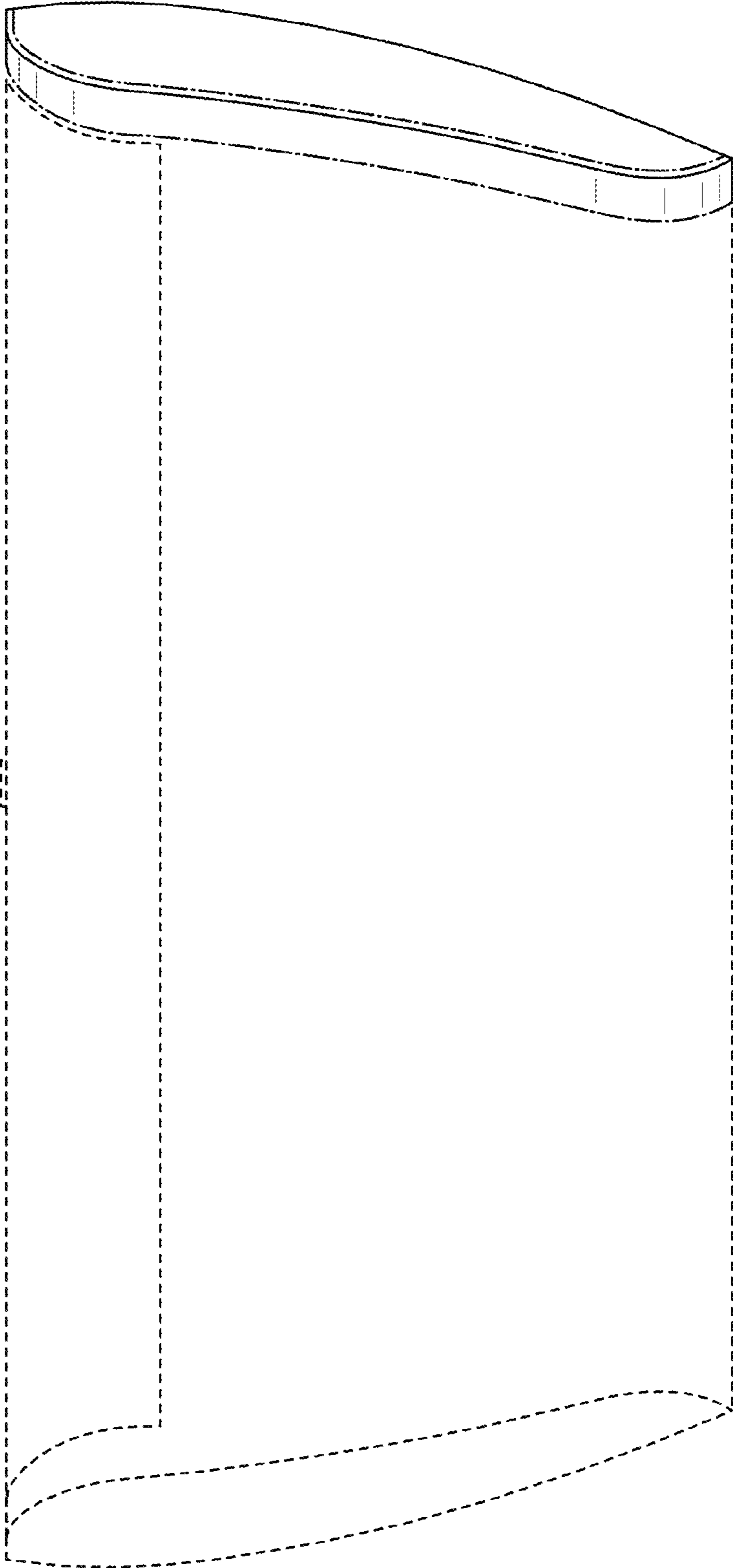


FIG. 4

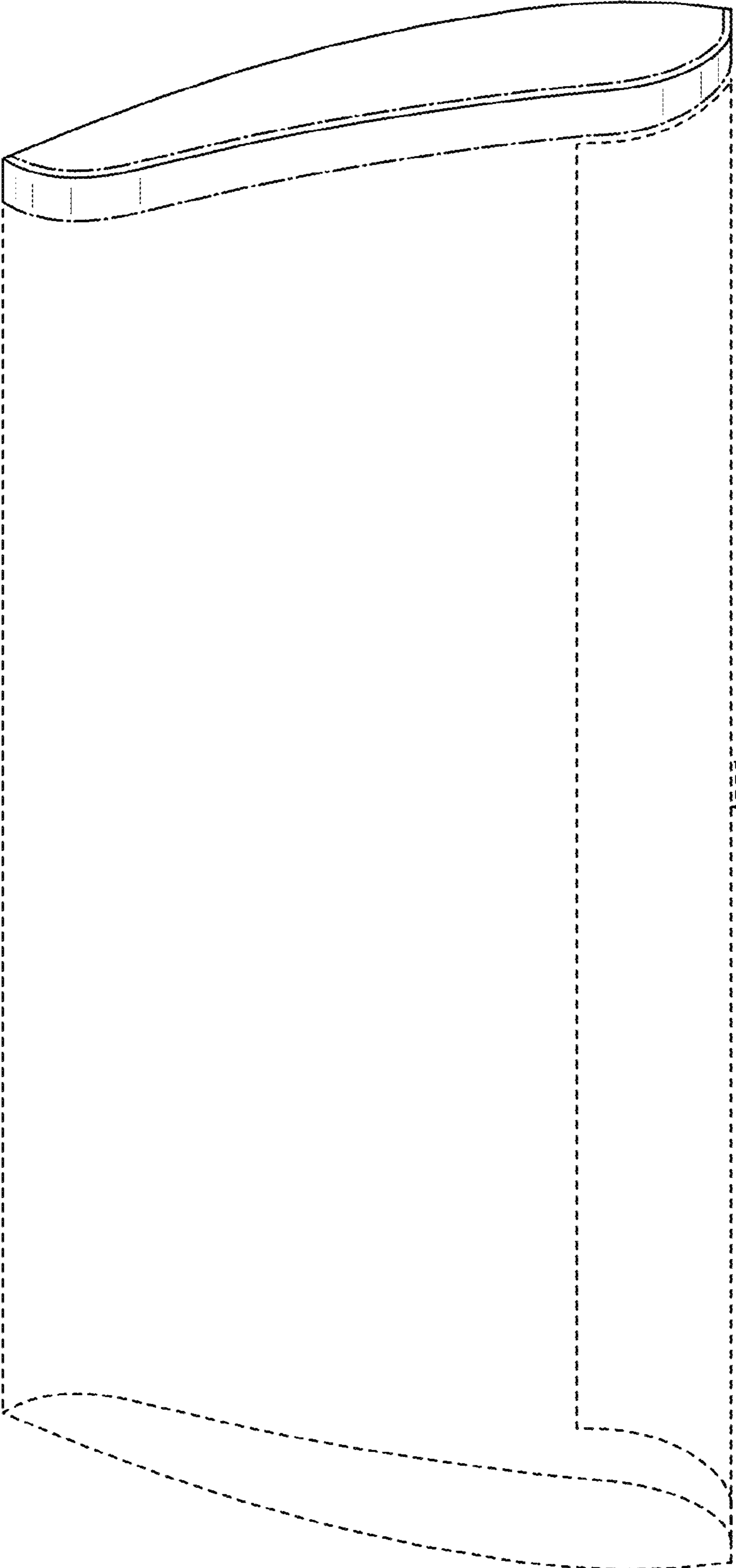


FIG. 5

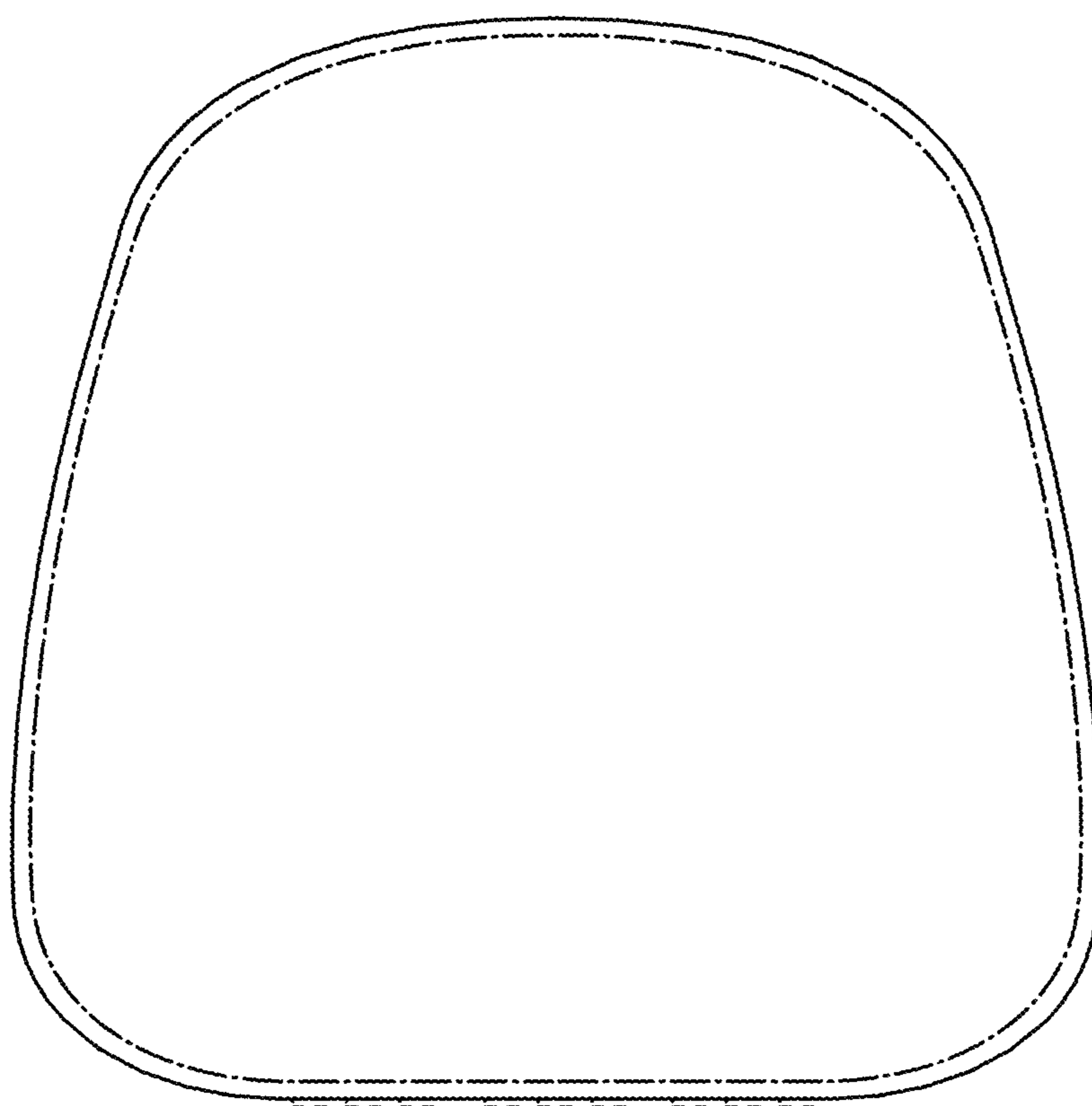


FIG. 6

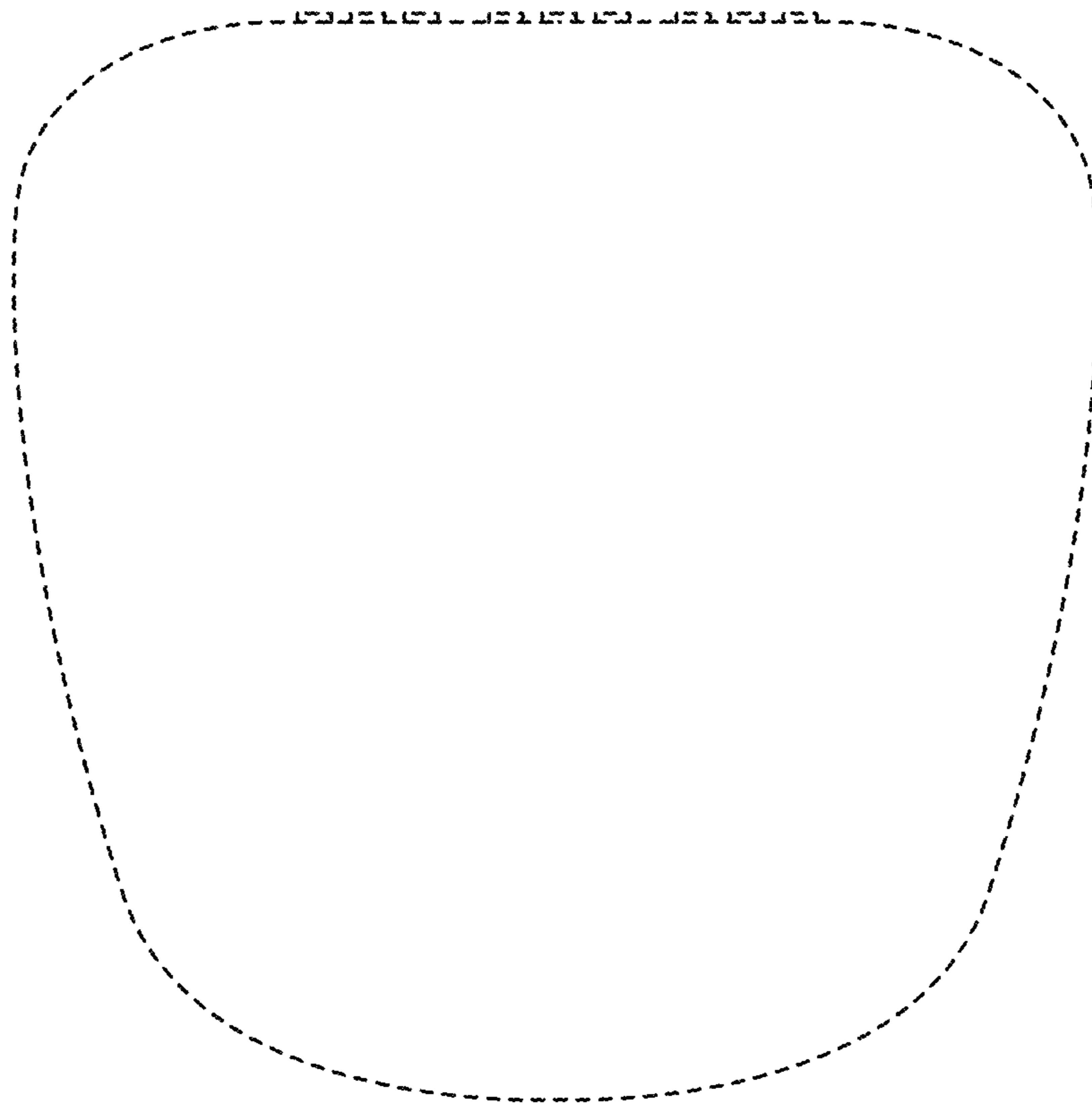


FIG. 7