

US00D752271S

(12) **United States Design Patent**
Saunders et al.

(10) **Patent No.:** **US D752,271 S**
(45) **Date of Patent:** **** Mar. 22, 2016**

(54) **CARVING STATION**

(56) **References Cited**

(71) Applicant: **HATCO CORPORATION**, Milwaukee, WI (US)

U.S. PATENT DOCUMENTS

(72) Inventors: **Joseph J Saunders**, Sturgeon Bay, WI (US); **John Quella**, Sturgeon Bay, WI (US)

D93,256 S *	9/1934	Tunaya	D19/21
2,473,218 A	6/1949	Reichenbach	
D156,617 S *	12/1949	Rosenberg	D26/63
D158,617 S	5/1950	Rosenberg	
D175,472 S *	8/1955	Kotzin, Sr.	D26/64
2,900,045 A	8/1959	Conklin et al.	
D205,463 S	8/1966	Zelenko	
D215,162 S	9/1969	Robichaud	
D217,063 S	3/1970	Dalto	
D291,426 S	8/1987	Husbands	
4,692,850 A	9/1987	LeDoux	
D312,885 S	12/1990	Louis	
5,100,115 A	3/1992	Schorn	

(73) Assignee: **HATCO CORPORATION**, Milwaukee, WI (US)

(**) Term: **15 Years**

(Continued)

(21) Appl. No.: **29/537,481**

OTHER PUBLICATIONS

(22) Filed: **Aug. 26, 2015**

Free Stander Warmers, Multiple models, 1 page, date unknown.

(Continued)

Related U.S. Application Data

(62) Division of application No. 29/443,466, filed on Jan. 17, 2013, now abandoned, which is a division of application No. 29/427,913, filed on Jul. 24, 2012, now Pat. No. Des. 677,131, which is a division of application No. 29/413,788, filed on Feb. 21, 2012, now Pat. No. Des. 670,981, which is a division of application No. 29/403,602, filed on Oct. 7, 2011, now Pat. No. Des. 659,490, which is a division of application No. 29/315,687, filed on Jul. 15, 2009, now Pat. No. Des. 655,140.

Primary Examiner — Brian N Vinson

(74) *Attorney, Agent, or Firm* — Ryan Kromholz & Manion, S.C.

(51) **LOC (10) Cl.** **26-03**

(52) **U.S. Cl.**
USPC **D26/107**

(58) **Field of Classification Search**
USPC D26/24, 61-67, 93, 102, 104-109
CPC F21S 8/08; F21V 1/00; F21V 21/02;
F21V 21/084; F21V 21/14; F21W 2131/30
See application file for complete search history.

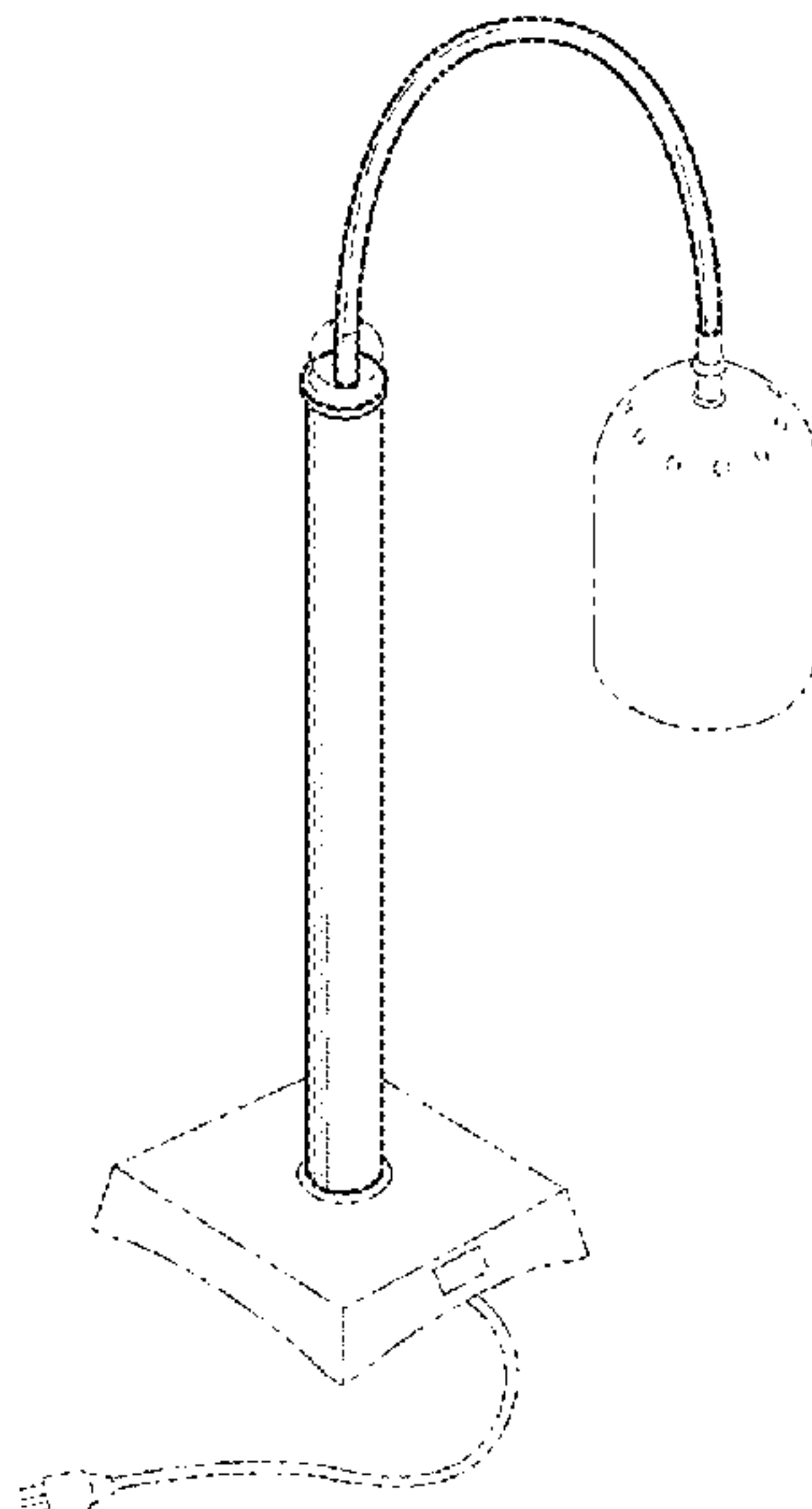
(57) **CLAIM**

The ornamental design for a carving station, as shown and described.

DESCRIPTION

FIG. 1 is a perspective view of a carving station showing our new design;
FIG. 2 is a rear elevation view thereof;
FIG. 3 is a front elevation view thereof;
FIG. 4 is a right side elevation view thereof;
FIG. 5 is a left side elevation view thereof.
FIG. 6 is a top plan view thereof; and,
FIG. 7 is a bottom plan view thereof.
The broken line disclosure in the views represents portions of the carving station which form no part of the claimed design.

1 Claim, 2 Drawing Sheets



(56)

References Cited

U.S. PATENT DOCUMENTS

D348,367 S 7/1994 Geisen et al.
5,353,746 A 10/1994 Del Rosario
5,386,978 A 2/1995 Ladwig
D360,785 S 8/1995 Mooslin
5,477,702 A 12/1995 Kennedy et al.
D377,429 S 1/1997 Olson
D381,104 S 7/1997 Linstone
D391,665 S * 3/1998 Yang D26/108
D407,172 S * 3/1999 Walz D26/107
D408,577 S * 4/1999 Arndt D26/107
D412,594 S * 8/1999 Benghozi D26/107
5,996,983 A 12/1999 Laurenzi
6,206,445 B1 3/2001 Brooks
D484,282 S 12/2003 Lockwood

D541,079 S 4/2007 Brown
D555,986 S 11/2007 Goldman
D689,237 S * 9/2013 Ke D26/107
2008/0135711 A1 6/2008 Bunting
2011/0133383 A1 6/2011 Roser
2011/0168035 A1 7/2011 Saunders et al.

OTHER PUBLICATIONS

Witco Food Service Equipment, Models CSD Series Carving Stations, 2 pages, date unknown.
Royalton Food Service Equipment Company, Model RCS Series Heated Carving Station, 2 pages, date unknown.
Alto Shaam manual, Hot Carving Shelf Electric, Models: 100-HSL/BCS-2, 100-HSL/BCS-2S, 19 pages, date unknown.
Model Carving Station, 1 page, company and date unknown.

* cited by examiner

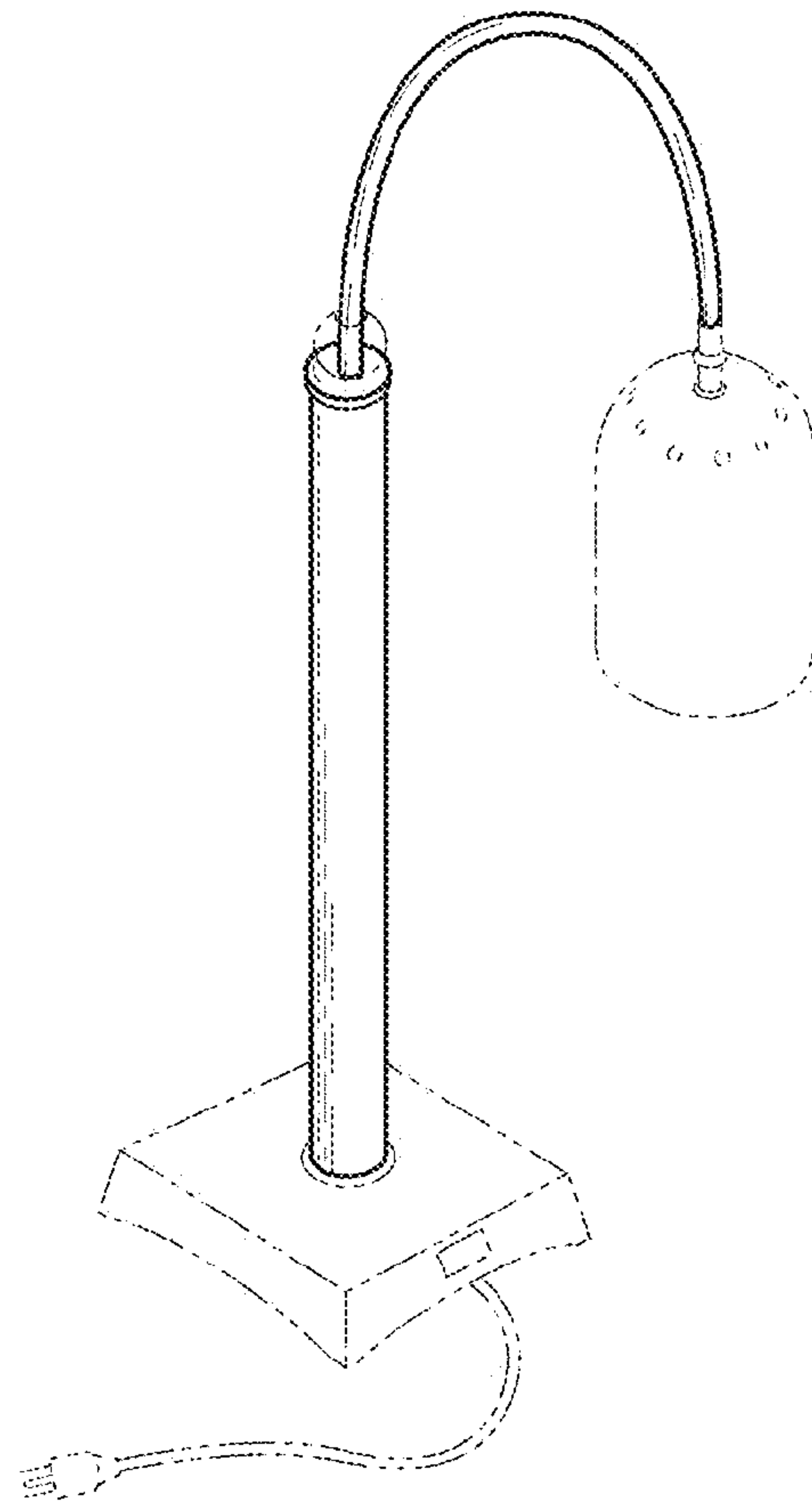


Fig. 1

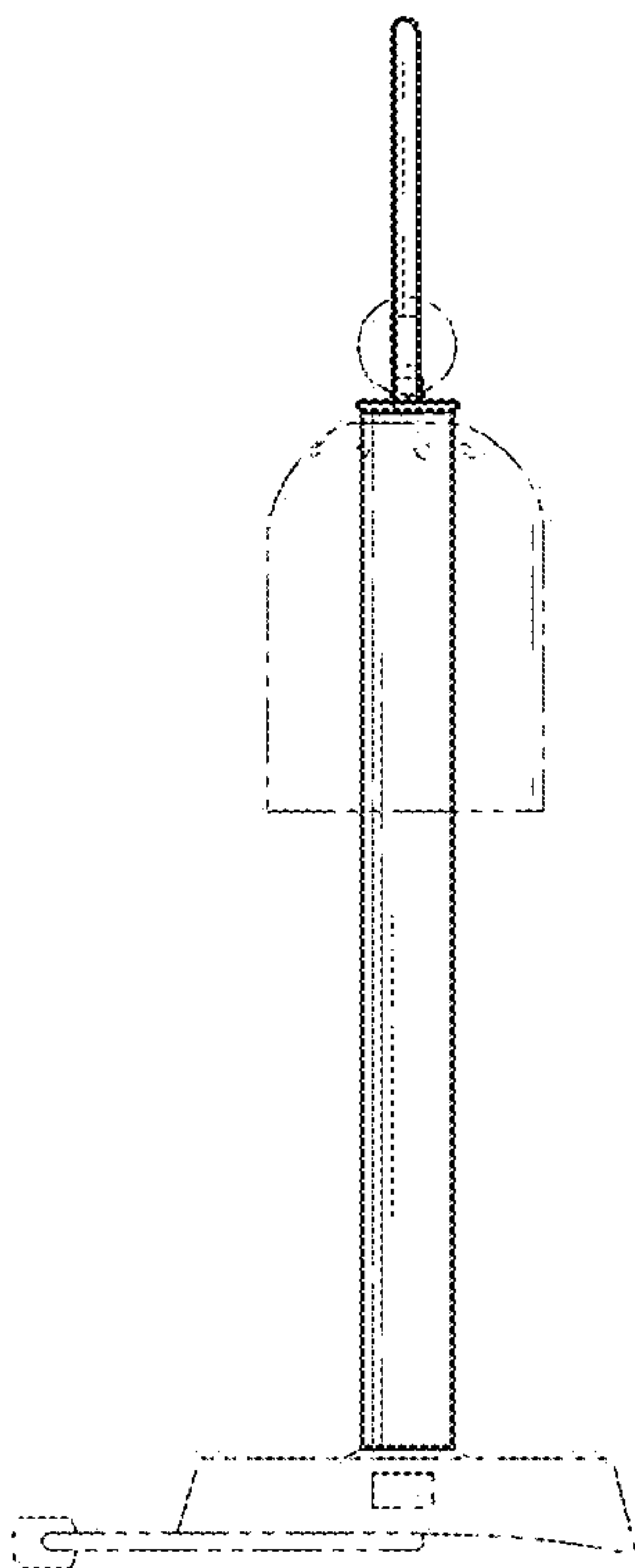
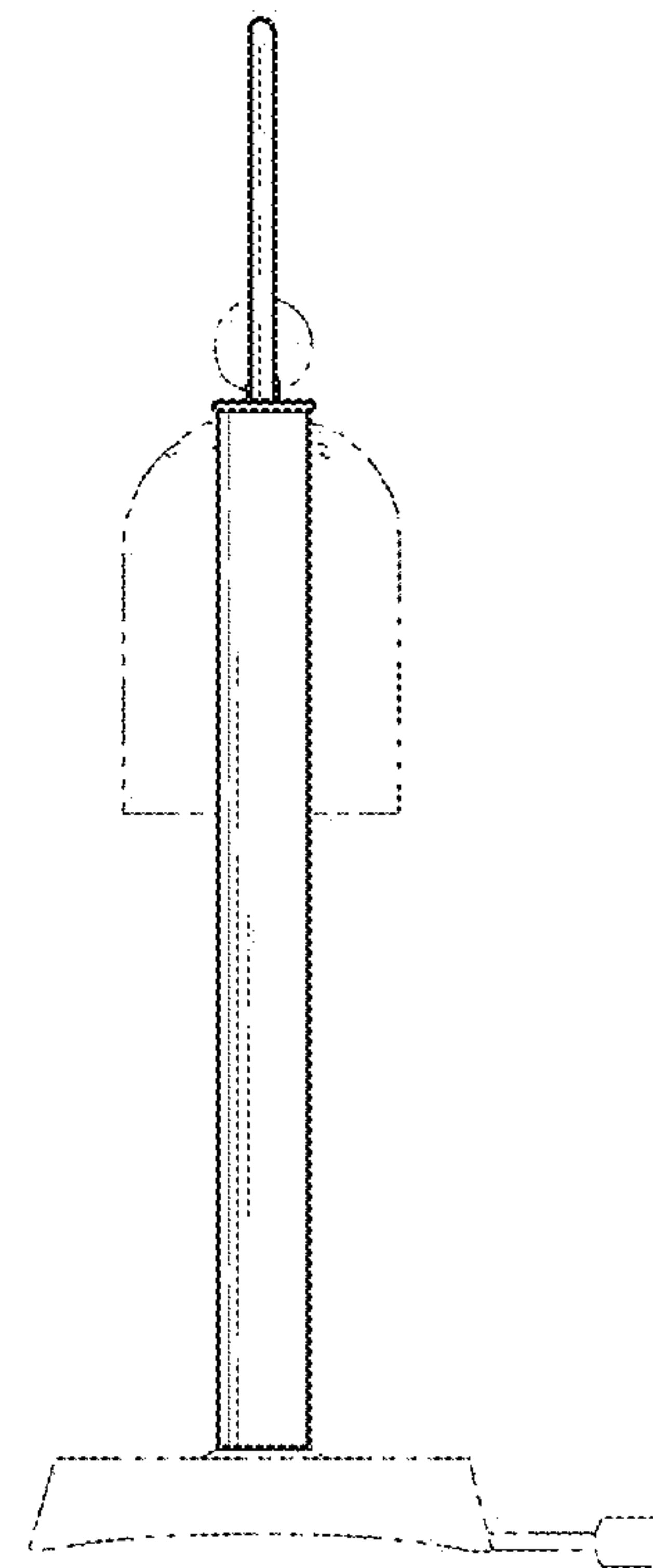


Fig. 2

Fig. 3



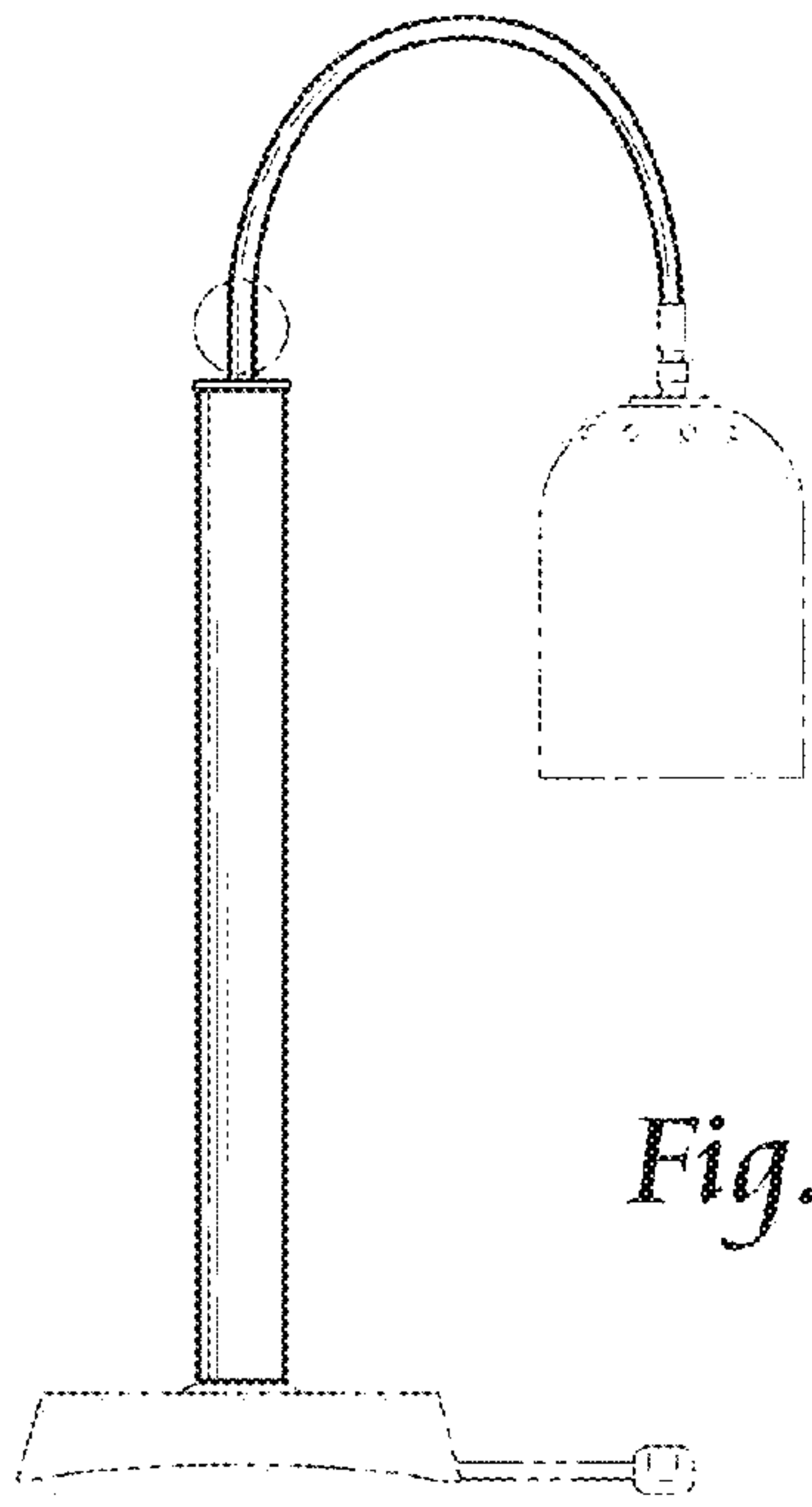


Fig. 4

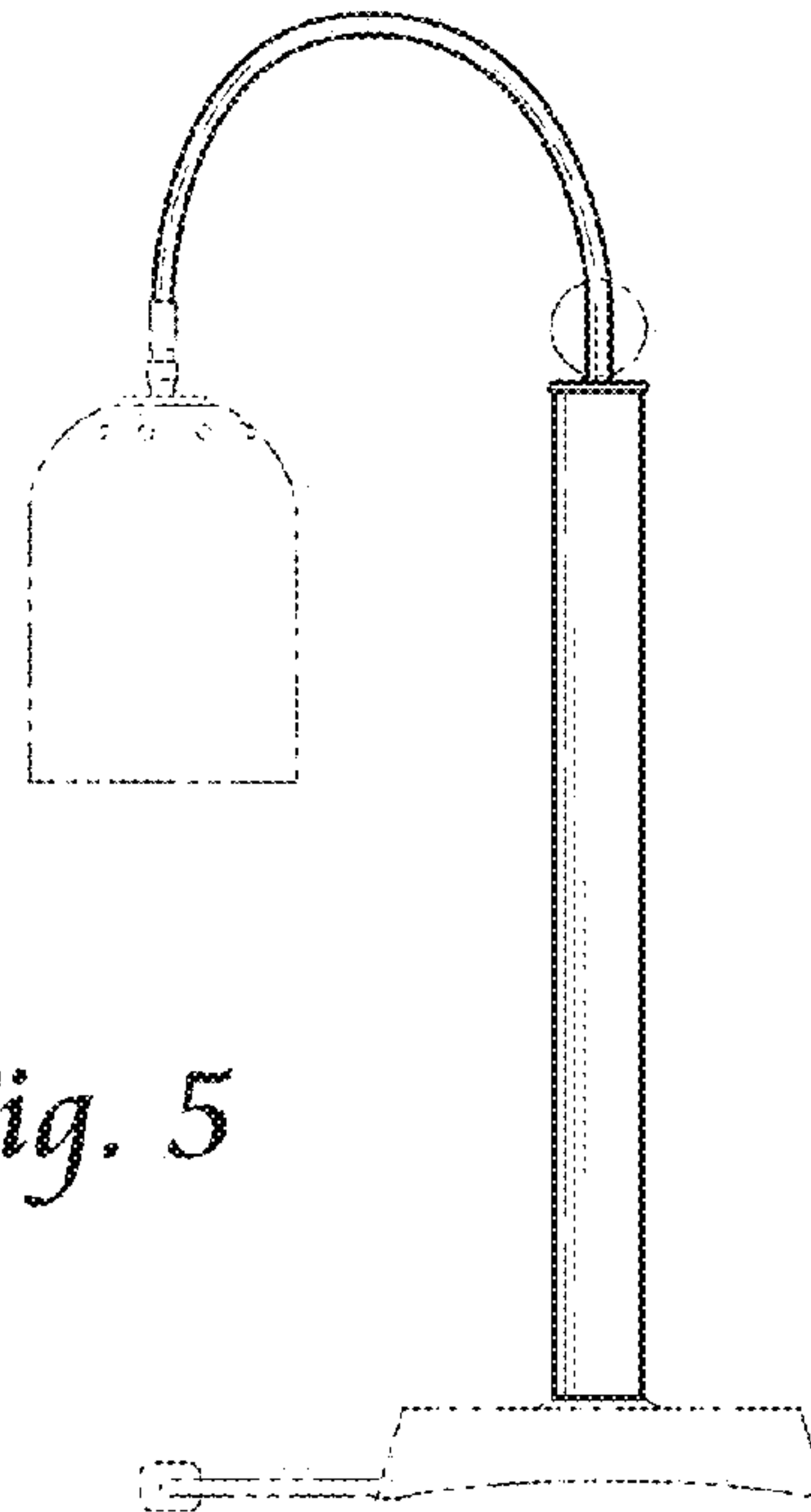


Fig. 5

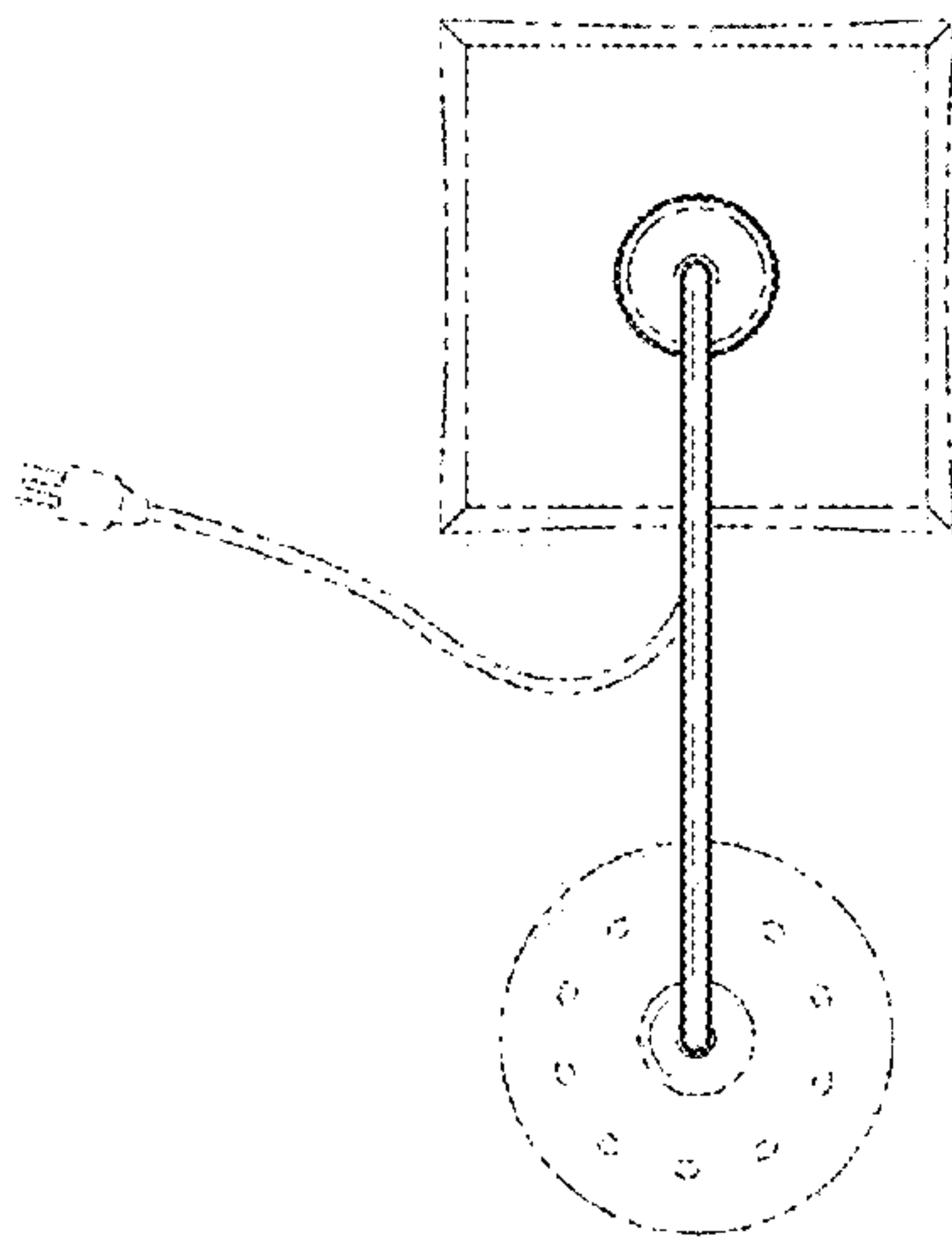


Fig. 6

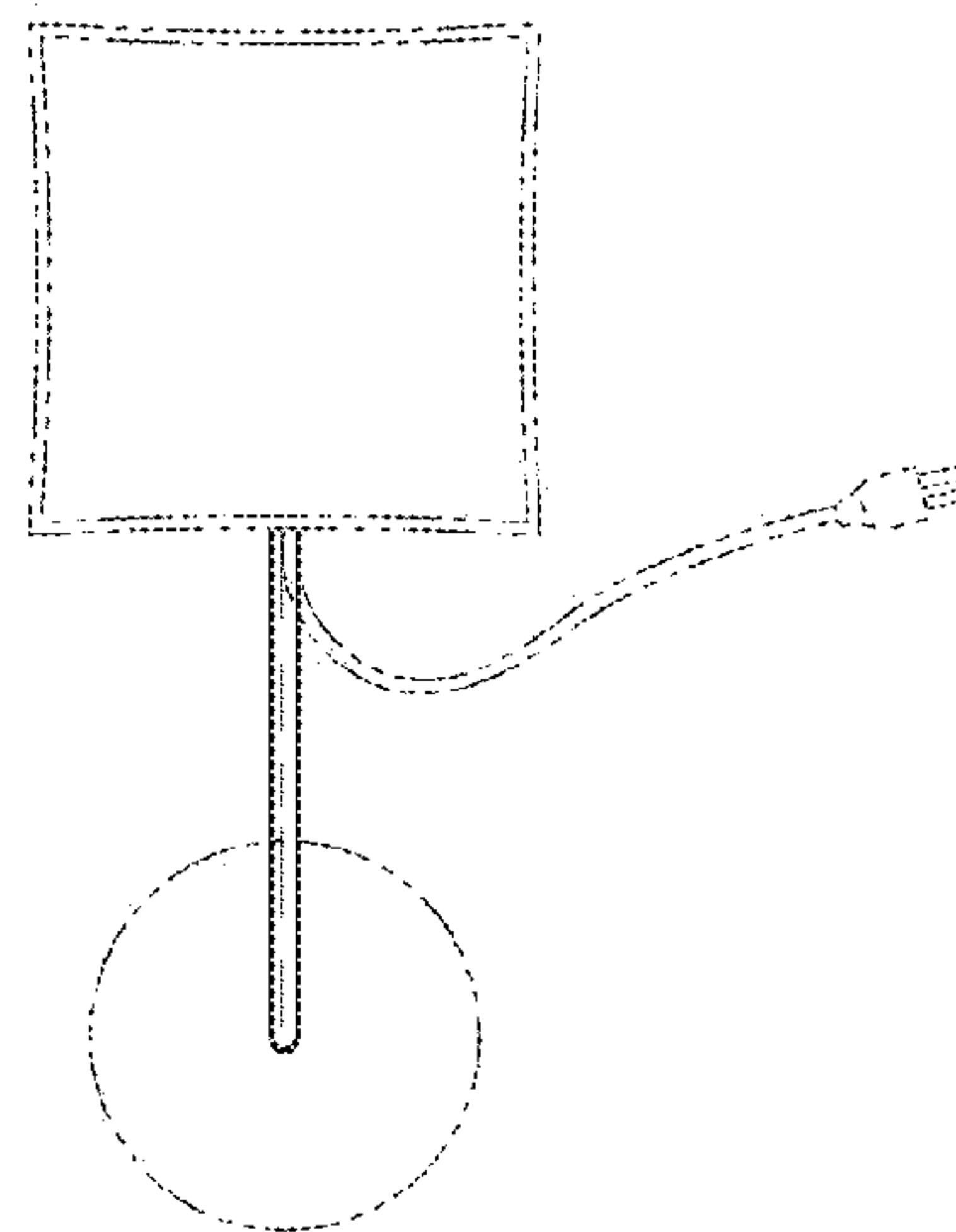


Fig. 7