

US00D752270S

(12) **United States Design Patent**  
**Saunders et al.**

(10) **Patent No.:** **US D752,270 S**  
(45) **Date of Patent:** **\*\* Mar. 22, 2016**

(54) **CARVING STATION**

(71) Applicant: **HATCO CORPORATION**, Milwaukee, WI (US)

(72) Inventors: **Joseph Jeremy Saunders**, Sturgeon Bay, WI (US); **John Quella**, Sturgeon Bay, WI (US)

(73) Assignee: **HATCO CORPORATION**, Milwaukee, WI (US)

(\*\*) Term: **14 Years**

(21) Appl. No.: **29/443,466**

(22) Filed: **Jan. 17, 2013**

**Related U.S. Application Data**

(62) Division of application No. 29/427,913, filed on Jul. 24, 2012, now Pat. No. Des. 677,131, and a division of application No. 29/413,788, filed on Feb. 21, 2012, now Pat. No. Des. 670,981, and a division of application No. 29/403,602, filed on Oct. 7, 2011, now Pat. No. Des. 659,490, and a division of application No. 29/315,687, filed on Jul. 15, 2009, now Pat. No. Des. 655,140.

(51) **LOC (10) Cl.** ..... **26-03**

(52) **U.S. Cl.**  
USPC ..... **D26/107**

(58) **Field of Classification Search**  
USPC ..... D26/24, 61-67, 93, 102, 104-109;  
362/509, 516, 523, 186, 217, 255, 257,  
362/277, 317, 319, 351, 354, 355, 357, 358,  
362/362, 382, 410, 413, 417, 806

See application file for complete search history.

(56) **References Cited**

U.S. PATENT DOCUMENTS

D93,256 S *	9/1934	Tunaya .....	D19/21
2,473,218 A	6/1949	Reichenbach	
D158,617 S *	5/1950	Rosenberg .....	D26/63
D175,472 S *	8/1955	Kotzin, Sr. ....	D26/64
2,751,951 A	6/1956	Strathaus	
2,900,045 A	8/1959	Conklin et al.	
D205,463 S	8/1966	Zelenko	
D215,162 S	9/1969	Robichaud	
D217,063 S	3/1970	Daito	
D291,426 S	8/1987	Husbands	
4,692,850 A	9/1987	LeDoux	
D312,885 S	12/1990	Louis	
5,100,115 A	3/1992	Schorn	
D348,367 S	7/1994	Geisen et al.	
5,353,746 A	10/1994	Del Rosario	
5,386,978 A	2/1995	Ladwig	
D360,785 S	8/1995	Mooslin	
5,477,702 A	12/1995	Kennedy et al.	
D377,429 S	1/1997	Olson	

(Continued)

OTHER PUBLICATIONS

Free Stander Warmers, Multiple models, 1 page, date unknown.

(Continued)

*Primary Examiner* — Brian N Vinson

(74) *Attorney, Agent, or Firm* — Ryan Kromholz & Manion, S.C.

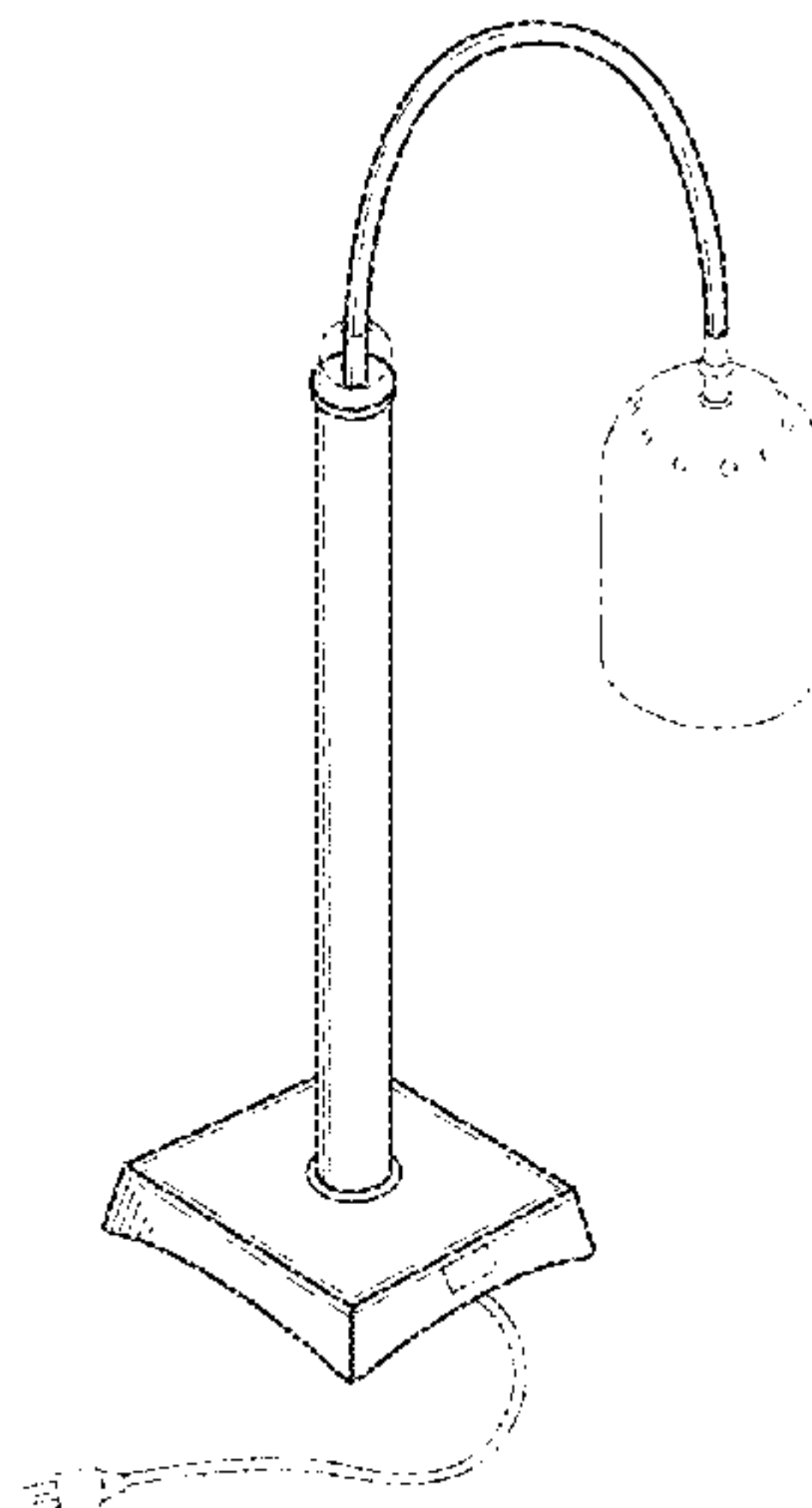
(57) **CLAIM**

The ornamental design for a carving station, as shown and described.

**DESCRIPTION**

FIG. 1 is a perspective view of the carving station;  
FIG. 2 is a rear elevation view thereof;  
FIG. 3 is a front elevation view thereof;  
FIG. 4 is a right side elevation view thereof;  
FIG. 5 is a left side elevation view thereof.  
FIG. 6 is a top plan view thereof; and,  
FIG. 7 is a bottom plan view thereof.

**1 Claim, 2 Drawing Sheets**



(56)

**References Cited**

U.S. PATENT DOCUMENTS

D381,104 S 7/1997 Linstone  
 D391,665 S \* 3/1998 Yang ..... D26/108  
 D407,172 S \* 3/1999 Walz ..... D26/63  
 D408,577 S \* 4/1999 Arndt ..... D26/107  
 D412,594 S \* 8/1999 Benghozi ..... D26/107  
 5,996,983 A 12/1999 Laurenzi  
 D424,891 S 5/2000 Kaposi  
 6,206,445 B1 3/2001 Brooks  
 D484,282 S 12/2003 Lockwood  
 D525,382 S 7/2006 Chen  
 D539,081 S 3/2007 Leibowitz  
 D541,079 S 4/2007 Brown  
 7,237,931 B2 7/2007 Chen  
 D555,986 S 11/2007 Goldman  
 D589,188 S 3/2009 Sabernig  
 D626,352 S 11/2010 Haudot et al.  
 D638,266 S 5/2011 Shamoon

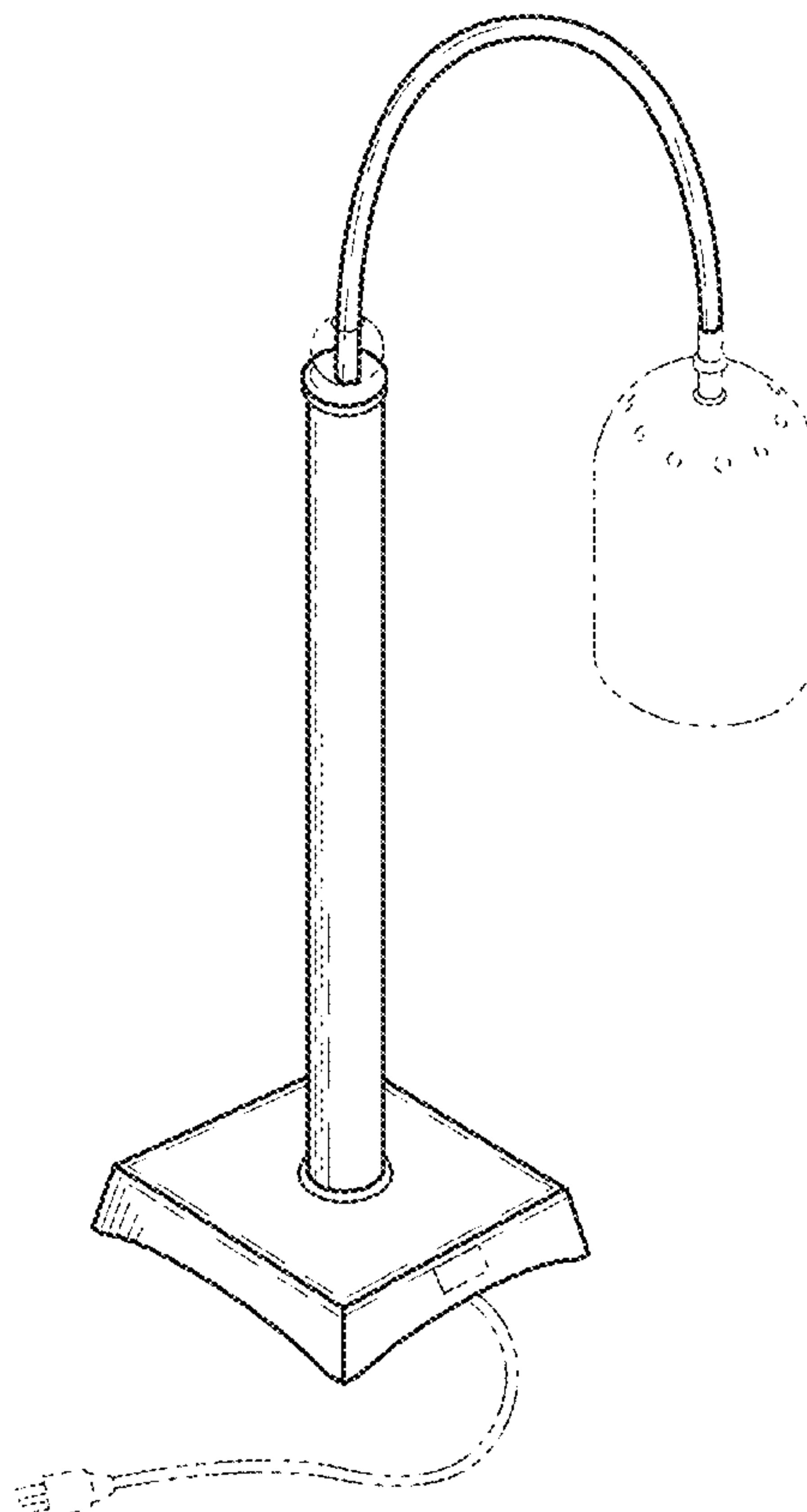
D645,310 S 9/2011 Shamoon  
 D659,490 S 5/2012 Saunders et al.  
 D665,199 S 8/2012 Plitt et al.  
 D689,237 S \* 9/2013 Ke ..... D26/107  
 2006/0203489 A1 9/2006 Chen  
 2008/0135711 A1 6/2008 Bunting  
 2011/0133383 A1 6/2011 Roser  
 2011/0168035 A1 7/2011 Saunders et al.

OTHER PUBLICATIONS

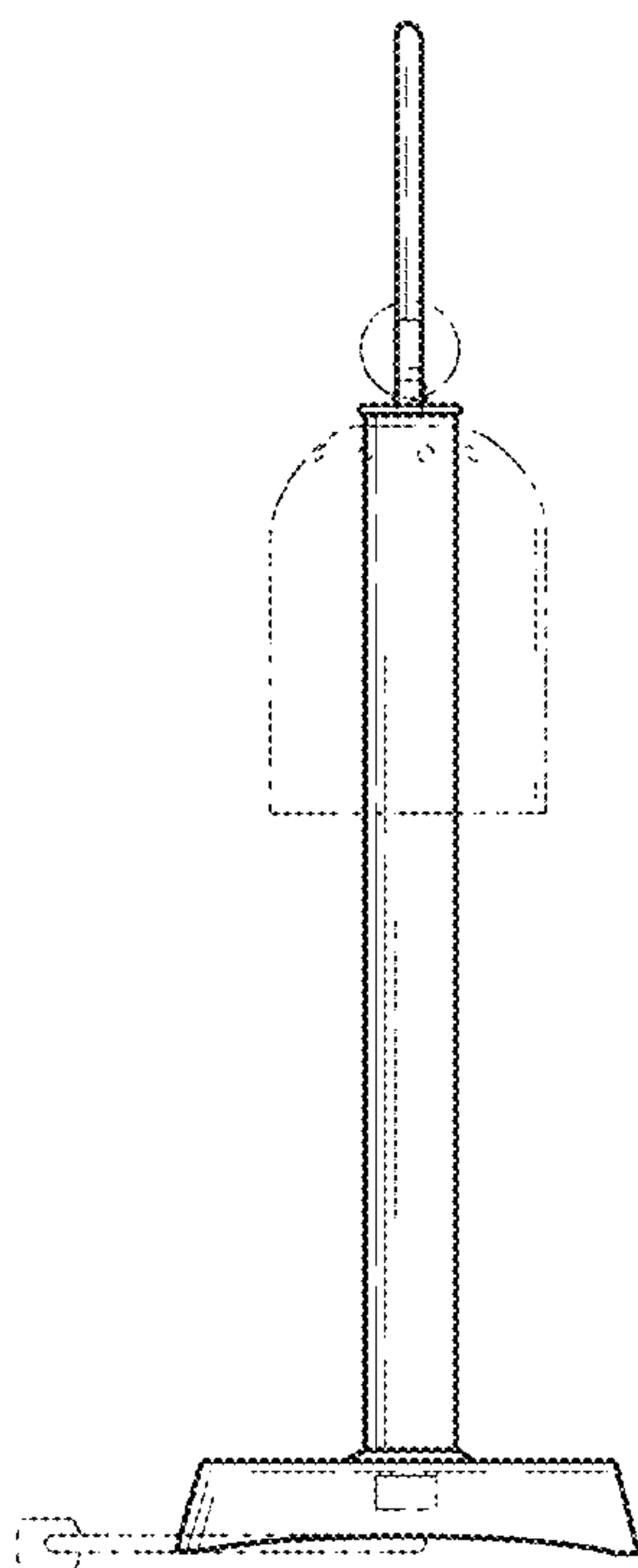
Witco Food Service Equipment, Models CSD Series Carving Stations, 2 pages, date unknown.  
 Royalton Food Service Equipment Company, Model RCS Series Heated Carving Station, 2 pages, date unknown.  
 Alto Shaam manual, Hot Carving Shelf Electric, Models: 100-HSL/BCS-2, 100-HSL/BCS-2S, 19 pages, date unknown.  
 Model Carving Station, 1 page, company and date unknown.

\* cited by examiner

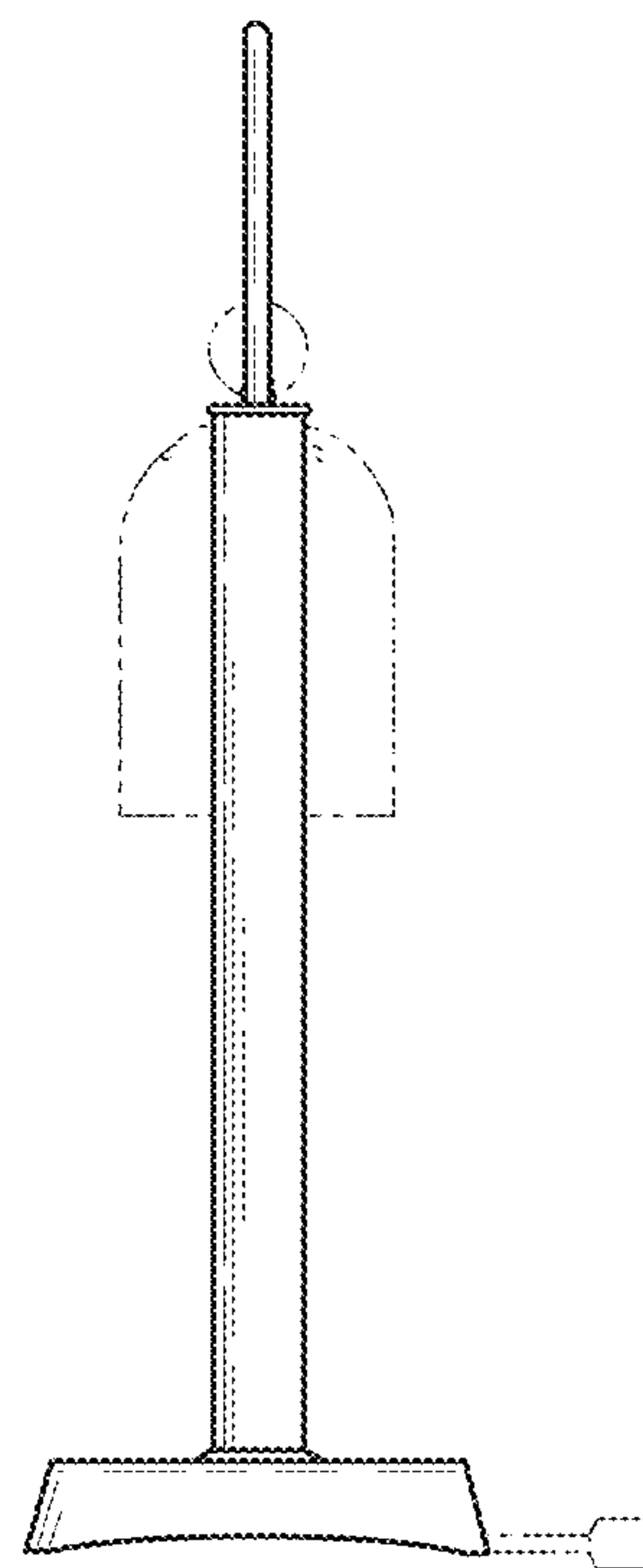
*Fig. 1*

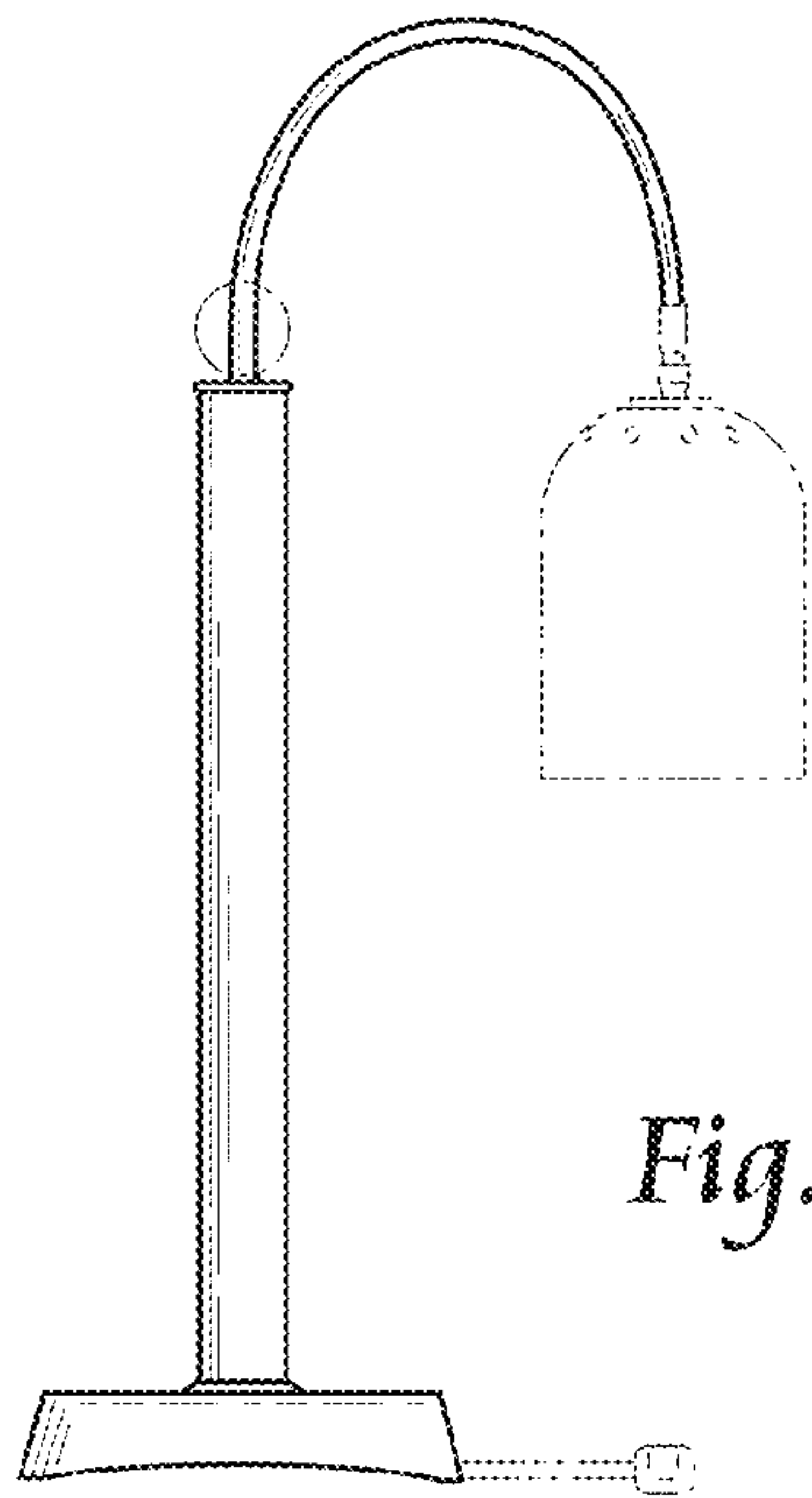


*Fig. 2*

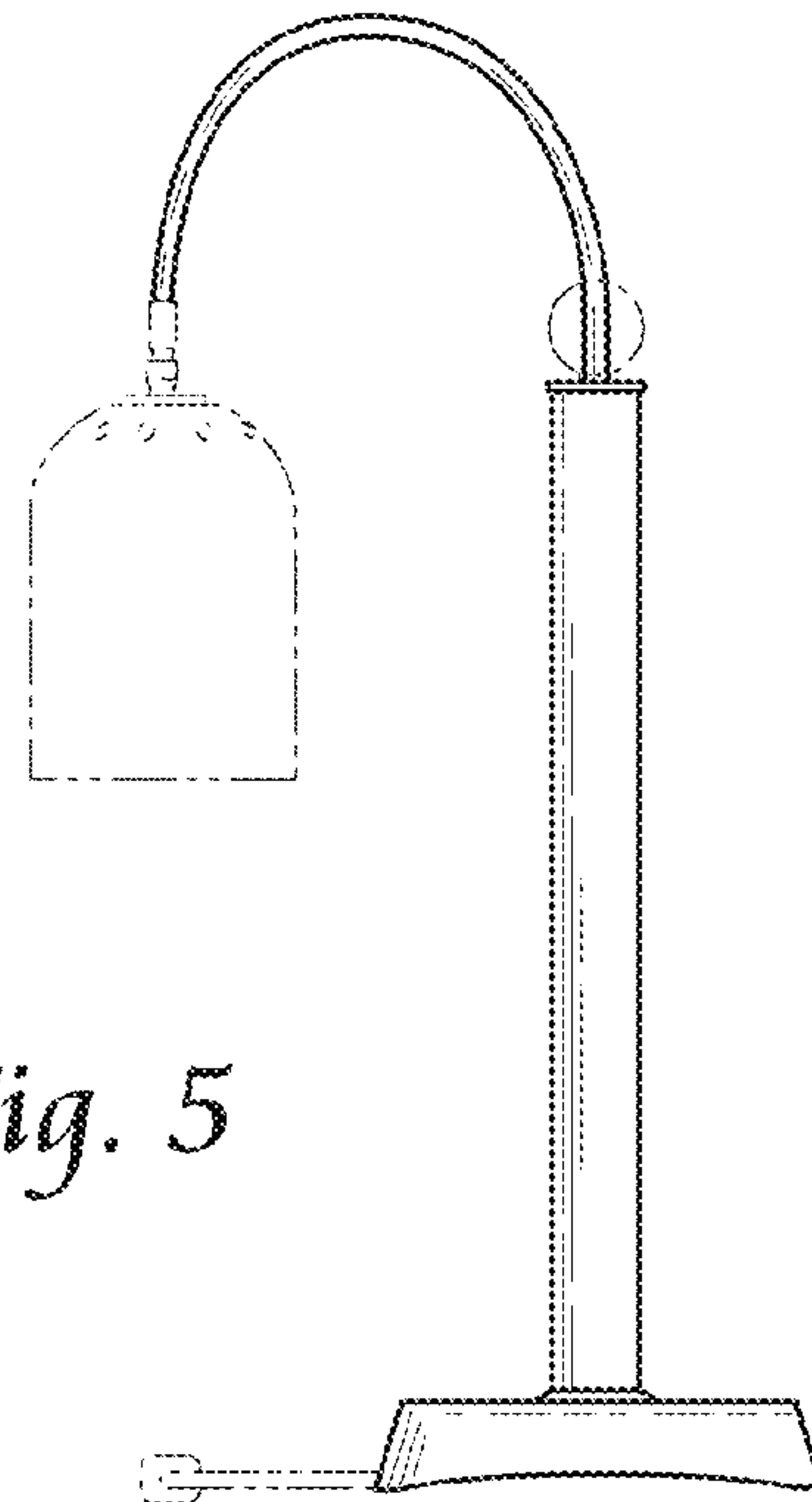


*Fig. 3*

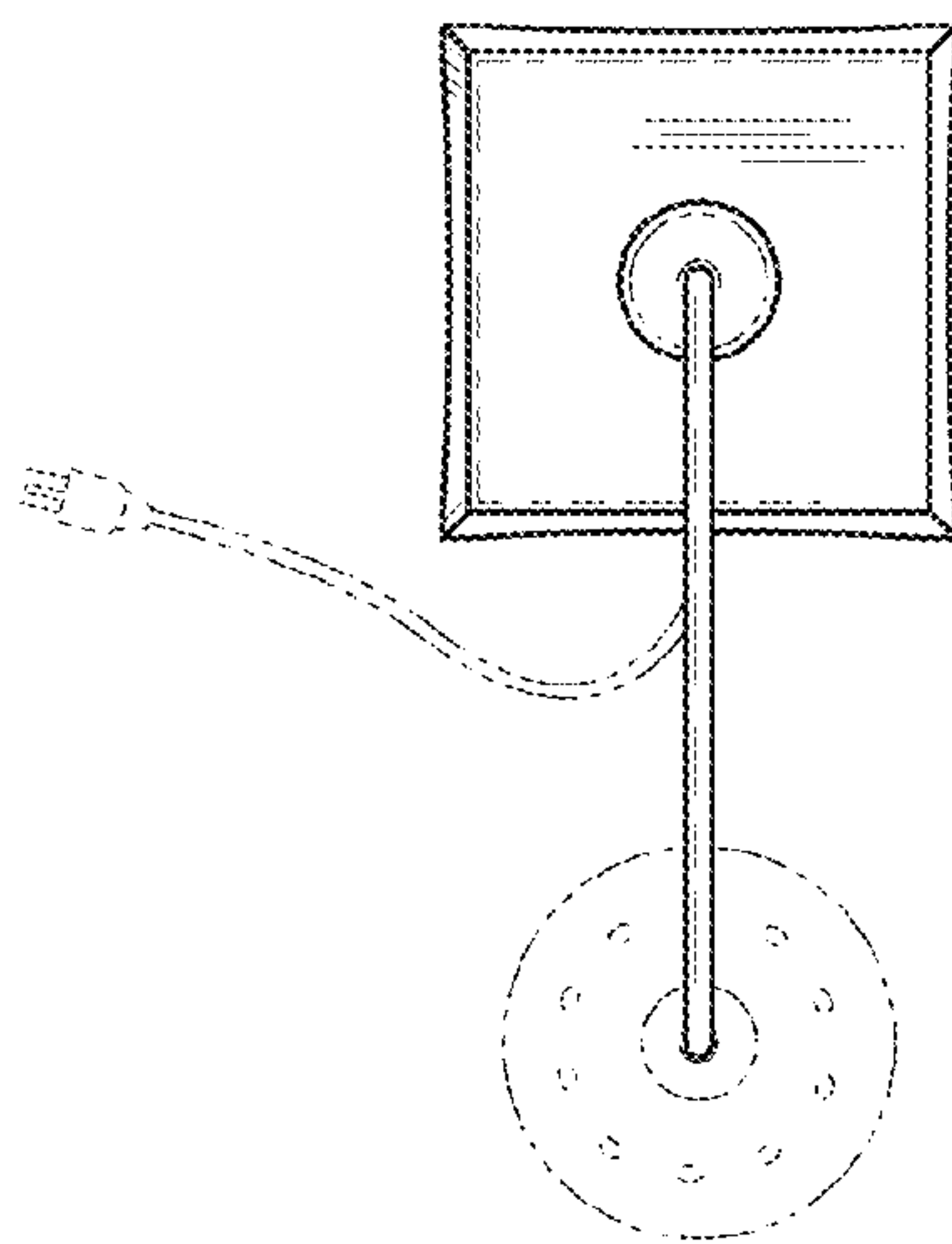




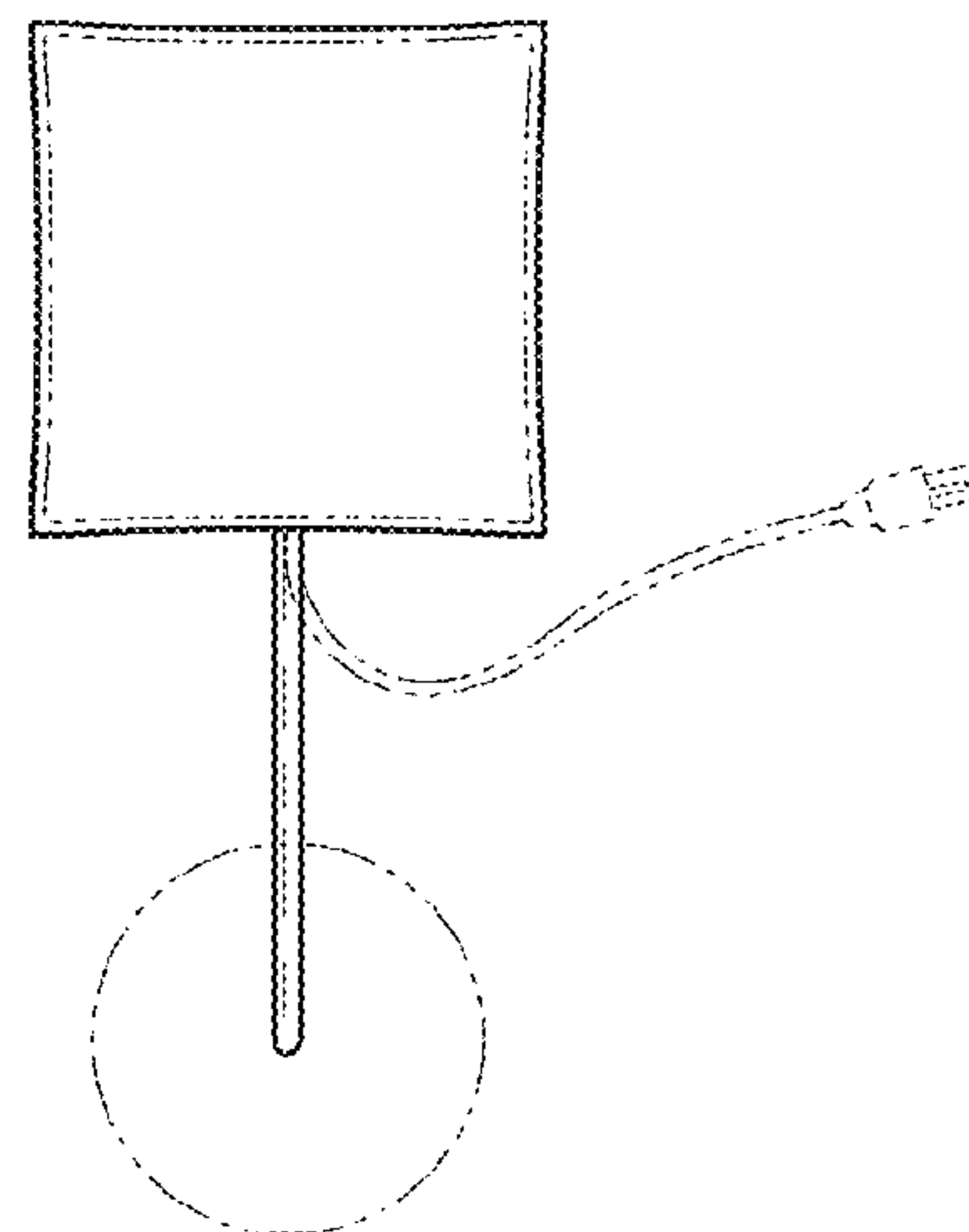
*Fig. 4*



*Fig. 5*



*Fig. 6*



*Fig. 7*