



US00D752267S

(12) **United States Design Patent**
Wang

(10) **Patent No.:** **US D752,267 S**
(45) **Date of Patent:** **** Mar. 22, 2016**

(54) **SEARCHLIGHT**

(71) Applicant: **Mao-Shen Wang**, New Taipei (TW)

(72) Inventor: **Mao-Shen Wang**, New Taipei (TW)

(**) Term: **14 Years**

(21) Appl. No.: **29/495,133**

(22) Filed: **Jun. 27, 2014**

(51) **LOC (10) Cl.** **26-03**

(52) **U.S. Cl.**
USPC **D26/63**

(58) **Field of Classification Search**
USPC D26/1, 24, 61, 63, 65, 85, 92
CPC F21V 21/14; F21V 15/01; F21V 14/02;
F21V 21/30; F21V 21/00; F21V 14/00;
F21S 8/00; F21S 8/003; F21S 8/043; F21Y
2105/001

See application file for complete search history.

(56) **References Cited**

U.S. PATENT DOCUMENTS

D629,550 S	*	12/2010	Sandell	D26/63
D646,822 S	*	10/2011	Johannessen et al.	D26/63
D666,346 S	*	8/2012	Gebhard et al.	D26/63
D693,509 S	*	11/2013	Hosick et al.	D26/63
D703,851 S	*	4/2014	Gebhard et al.	D26/63

D732,219 S	*	6/2015	Adams	D26/63
D734,521 S	*	7/2015	Gebhard et al.	D26/63
D734,887 S	*	7/2015	Gebhard et al.	D26/63

* cited by examiner

Primary Examiner — Brian N Vinson

(74) *Attorney, Agent, or Firm* — Bacon & Thomas, PLLC

(57) **CLAIM**

The ornamental design for a searchlight, as shown and described.

DESCRIPTION

FIG. 1 is a perspective view of a searchlight showing our new design; the heat dissipation ribs provided on the lamp housing are shown in dotted lines and do not form part of the claimed design;

FIG. 2 is a front elevation view of FIG. 1;

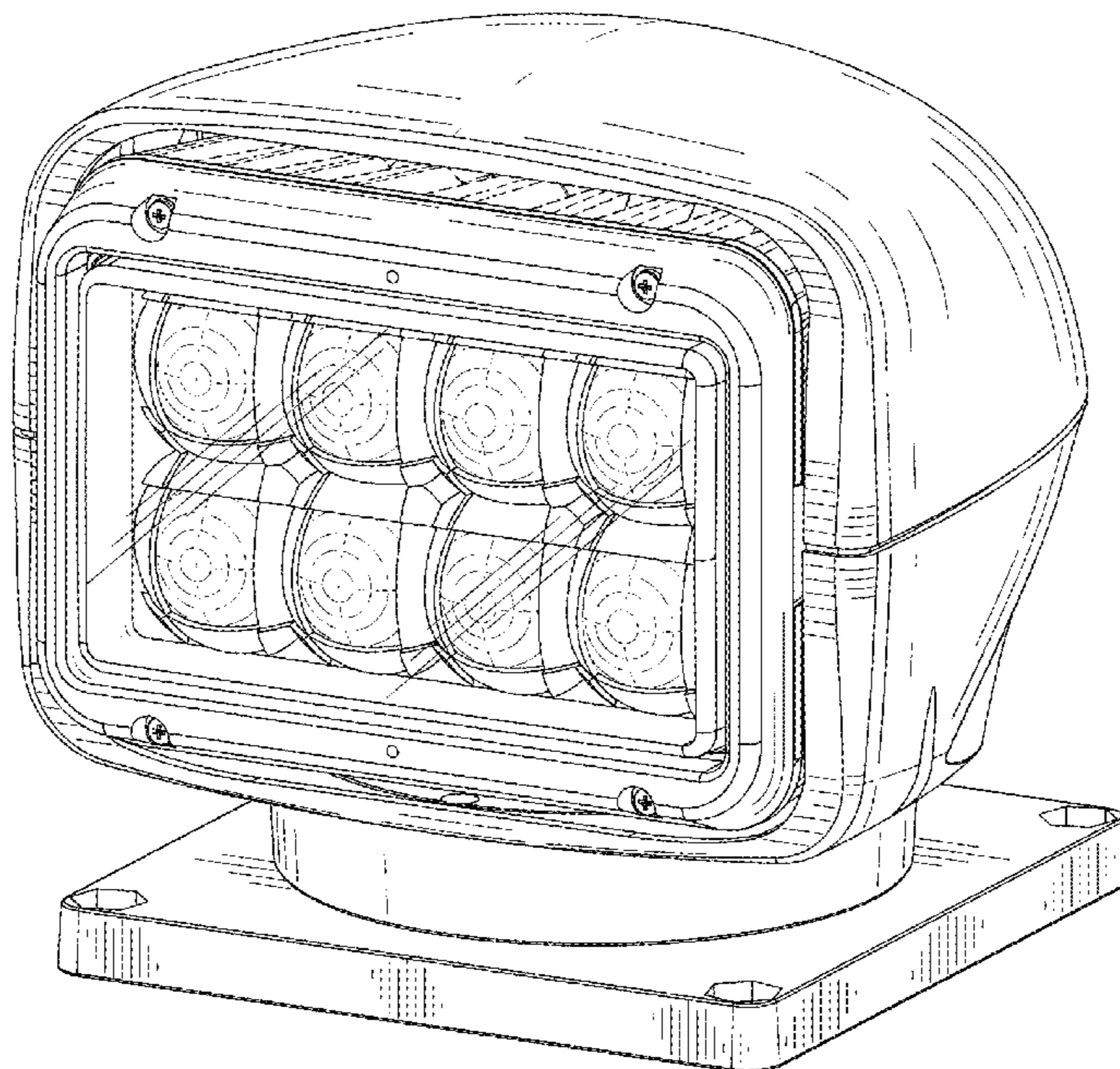
FIG. 3 is a back elevation view of FIG. 1;

FIG. 4 is a side elevation view, which are mirror images thereof; of the right and left sides of FIG. 1; the heat dissipation ribs provided on the lamp housing are shown in dotted lines and do not form part of the claimed design;

FIG. 5 is a top plan view of FIG. 1; the heat dissipation ribs provided on the lamp housing are shown in dotted lines and do not form part of the claimed design; and,

FIG. 6 is a bottom plan view of FIG. 1; the bottom surface of the base is shown in dotted lines and is not part of the claimed design.

1 Claim, 6 Drawing Sheets



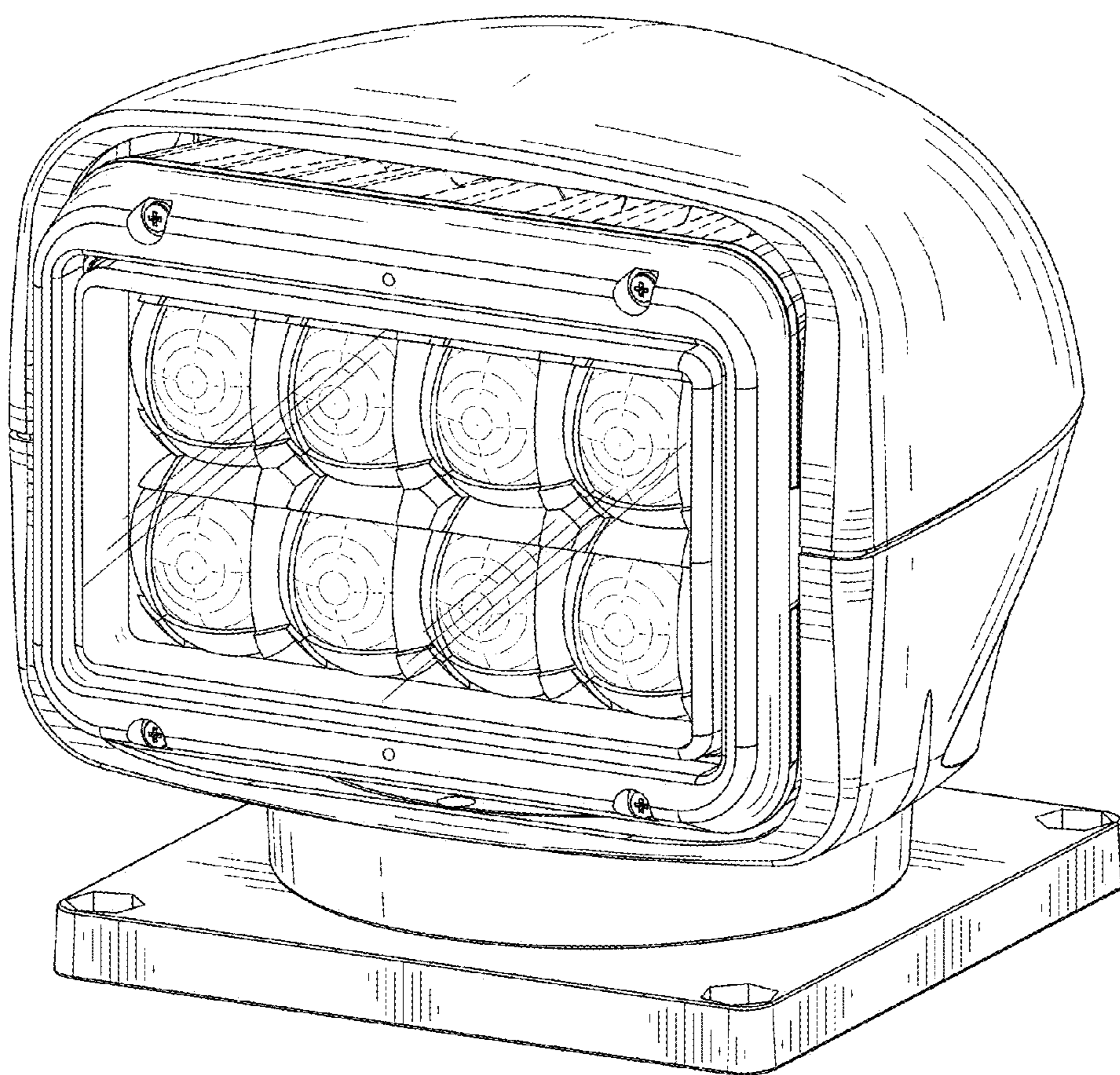


FIG. 1

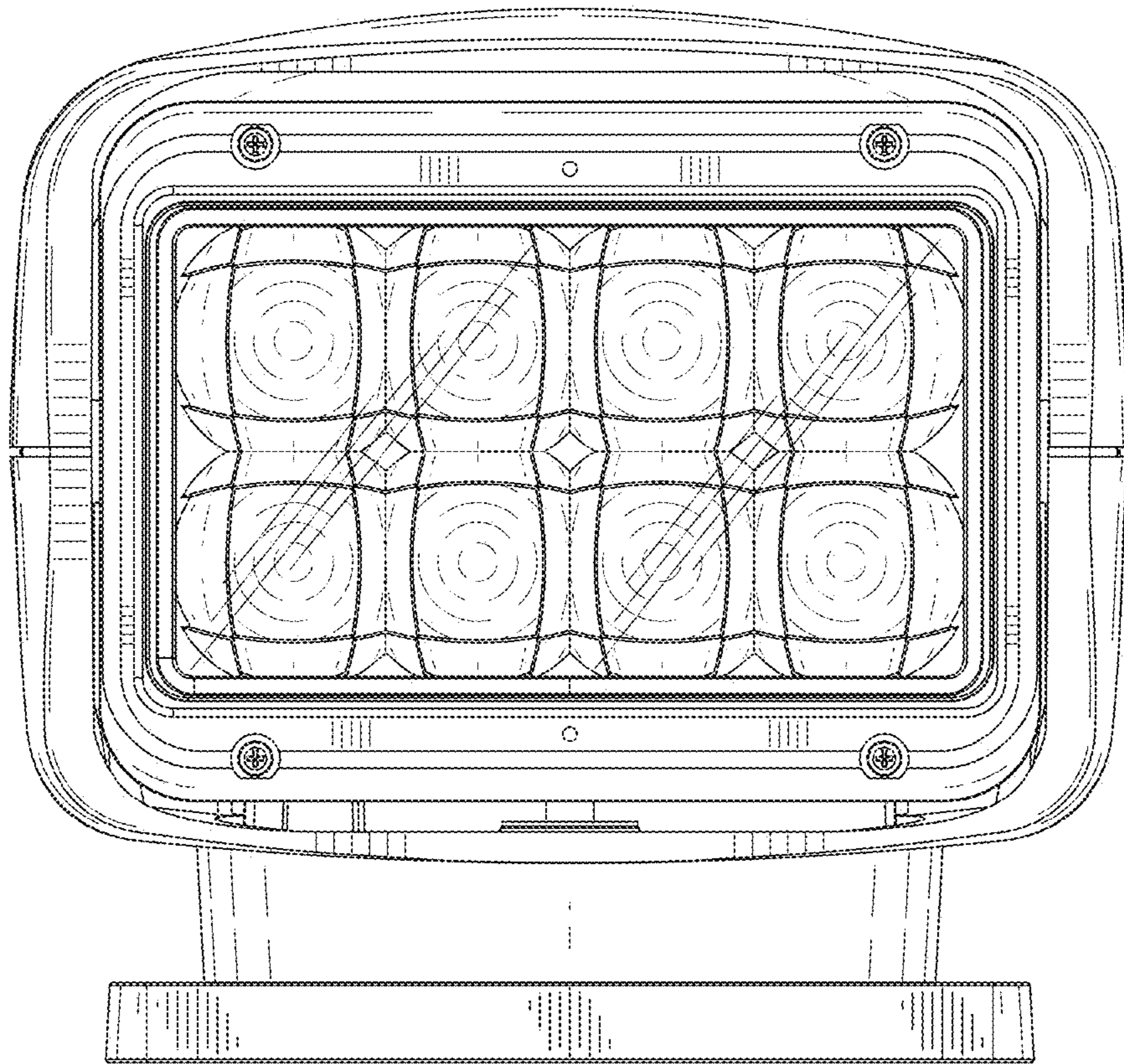


FIG. 2

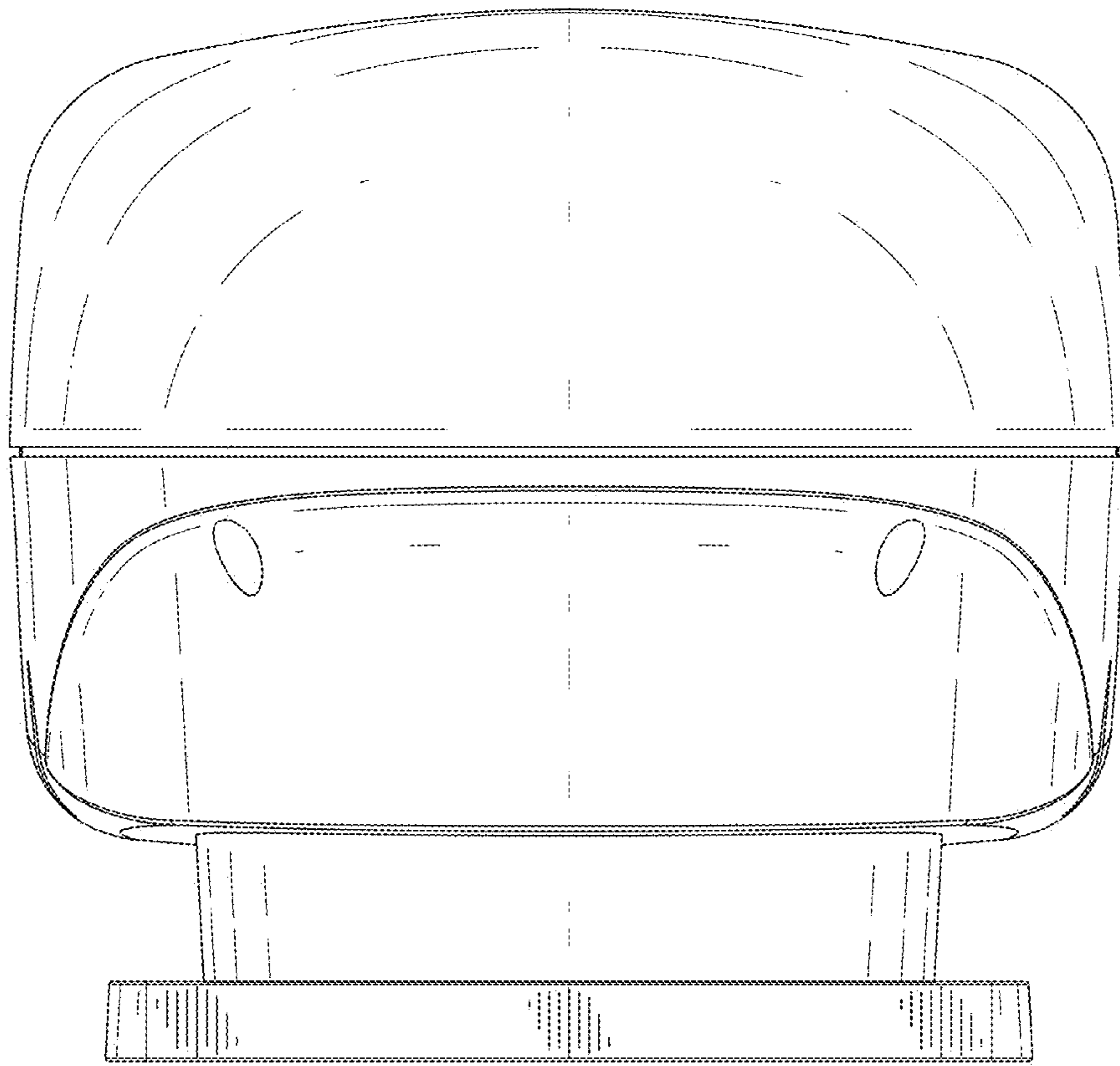


FIG. 3

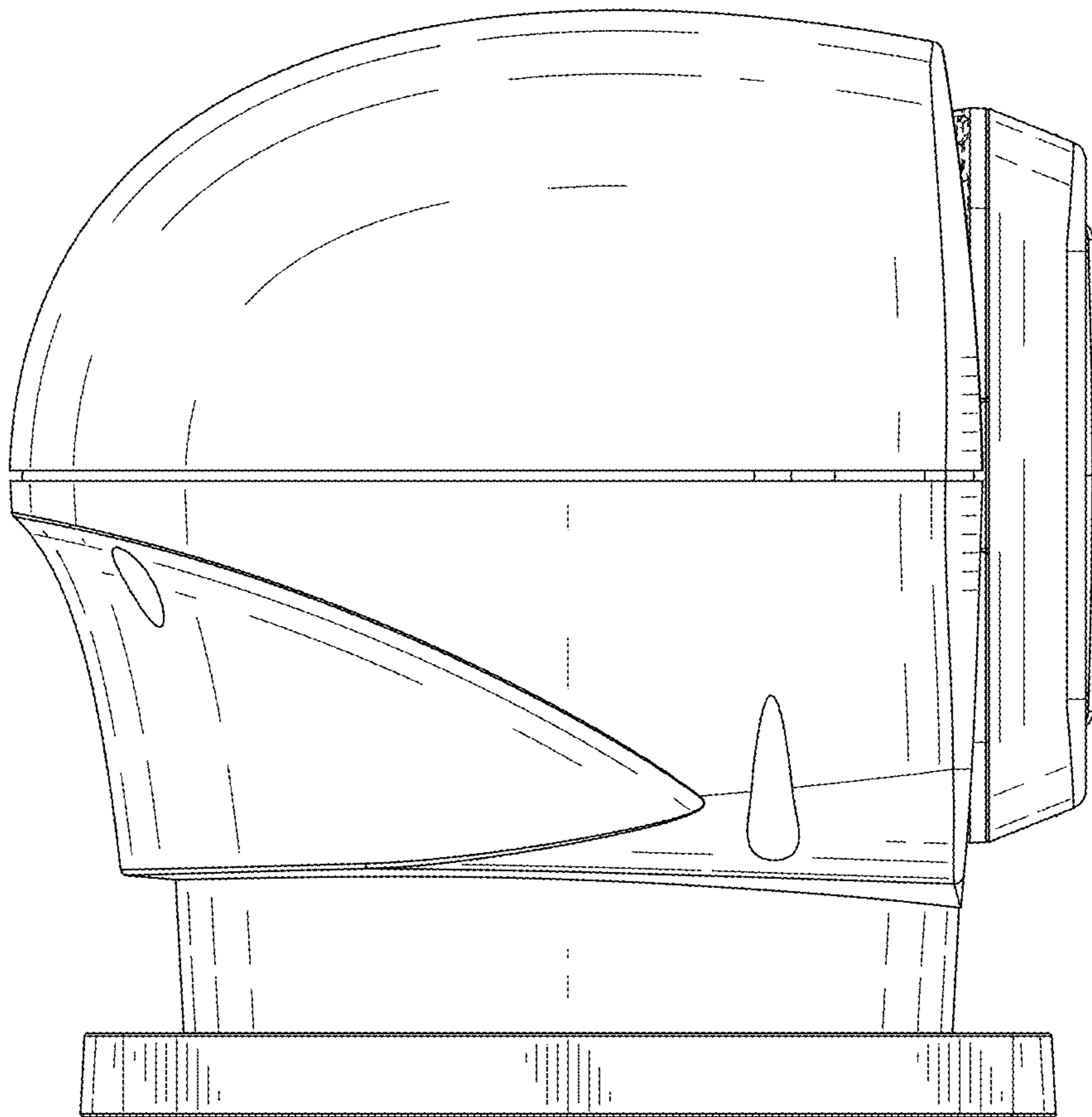


FIG. 4

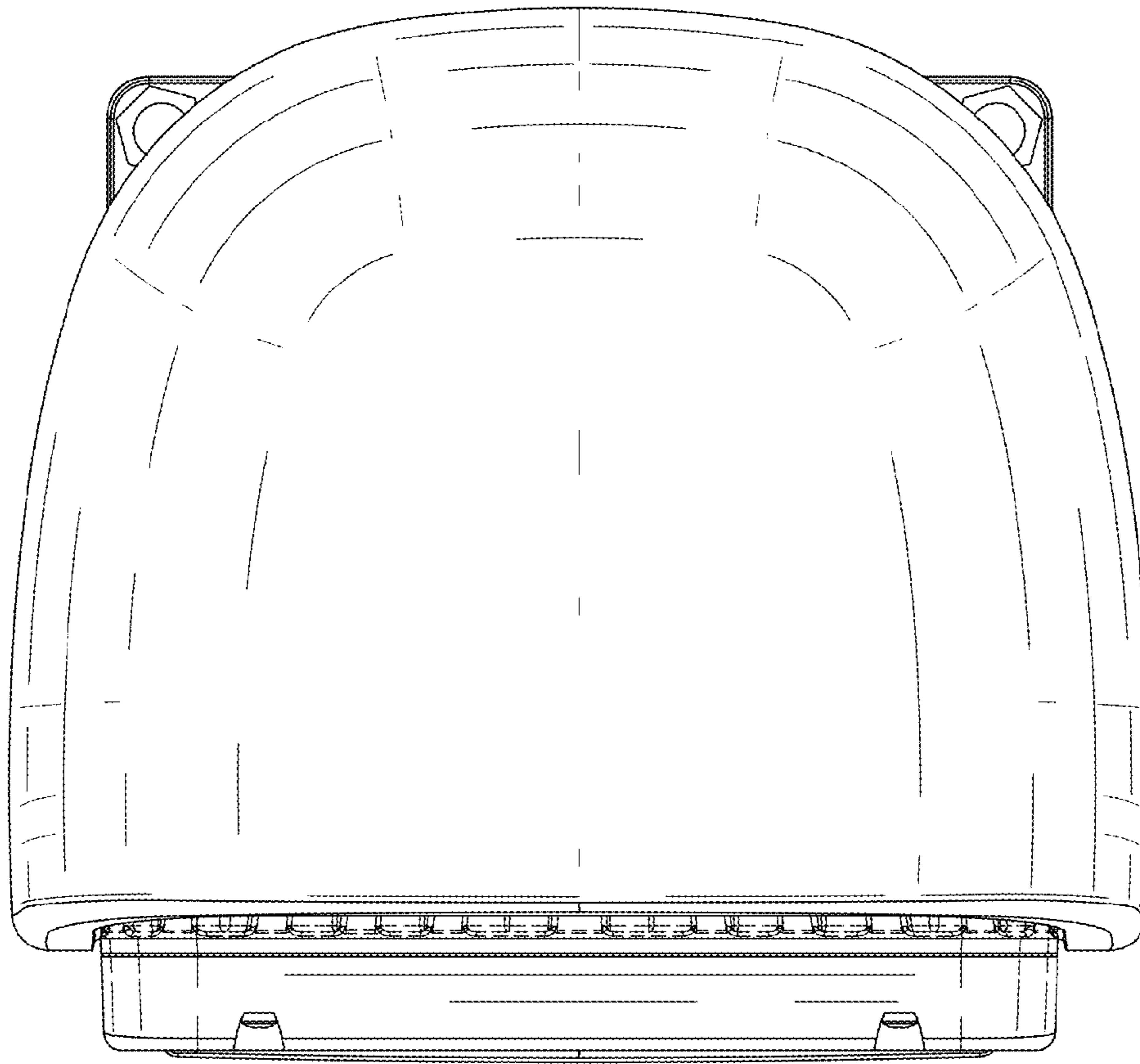


FIG. 5

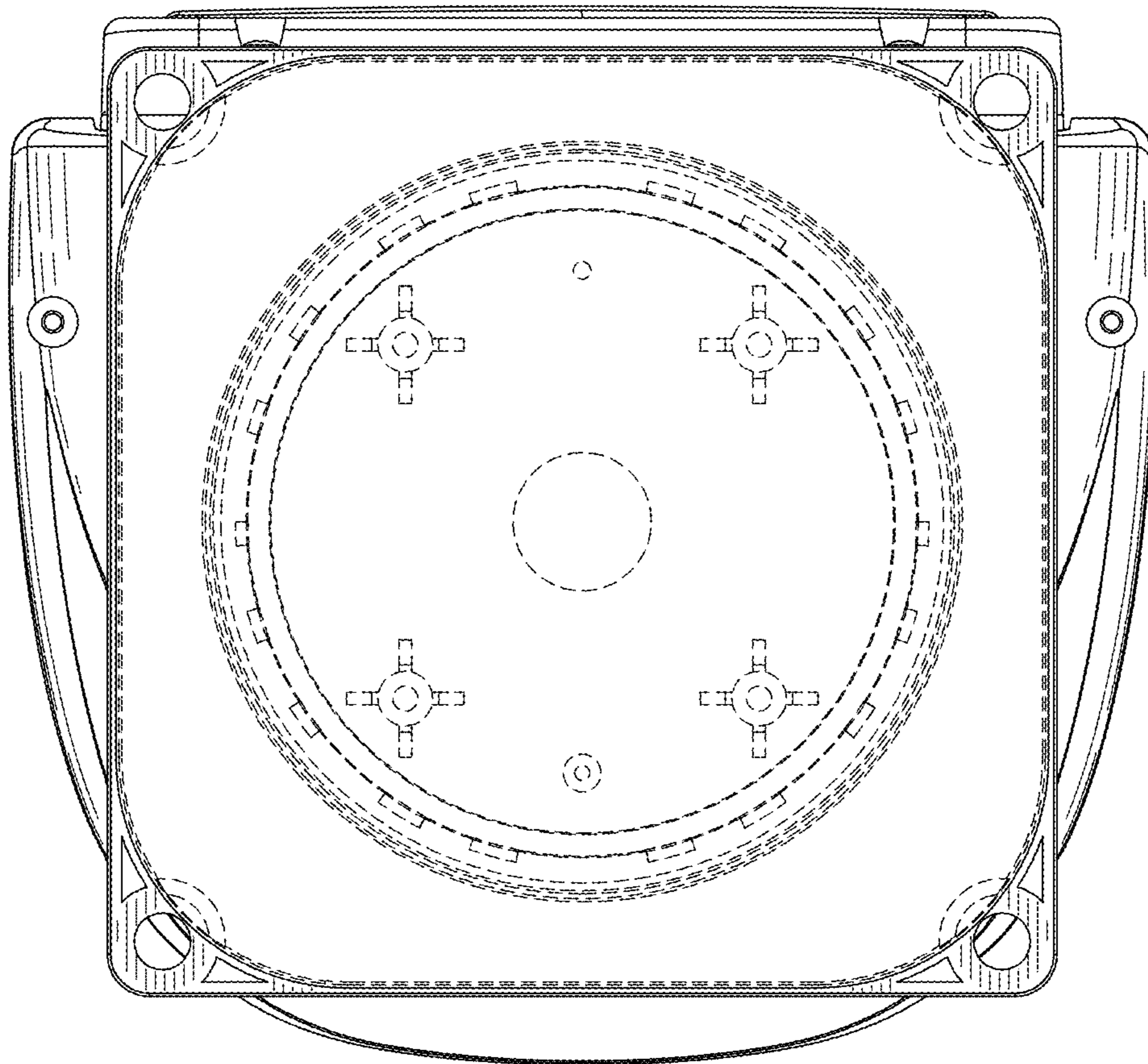


FIG. 6