



US00D752266S

(12) **United States Design Patent**
Dall

(10) **Patent No.:** **US D752,266 S**
(45) **Date of Patent:** **** Mar. 22, 2016**

- (54) **HOUSING FOR LIGHT**
- (71) Applicant: **Lightforce Australia Pty Ltd.,**
Hindmarsh (AU)
- (72) Inventor: **Robert Dall,** Athelstone (AU)
- (73) Assignee: **Lightforce Australia Pty Ltd.,**
Hindmarsh (AU)
- (**) Term: **14 Years**
- (21) Appl. No.: **29/495,799**
- (22) Filed: **Jul. 3, 2014**
- (51) **LOC (10) Cl.** **26-03**
- (52) **U.S. Cl.**
USPC **D26/51**
- (58) **Field of Classification Search**
USPC D26/24, 51; D22/103, 108
CPC ... F21V 33/00; F21V 33/0004; F21V 33/008;
F41G 11/003; F41G 11/004; F41G 1/35
See application file for complete search history.

D311,778 S 10/1990 Dennis
6,185,854 B1 * 2/2001 Solinsky F41G 1/35
362/110
D548,385 S * 8/2007 Sharrah D26/51
D567,894 S * 4/2008 Sterling D22/108

* cited by examiner

Primary Examiner — Brian N Vinson
(74) *Attorney, Agent, or Firm* — Wood Herron & Evans LLP

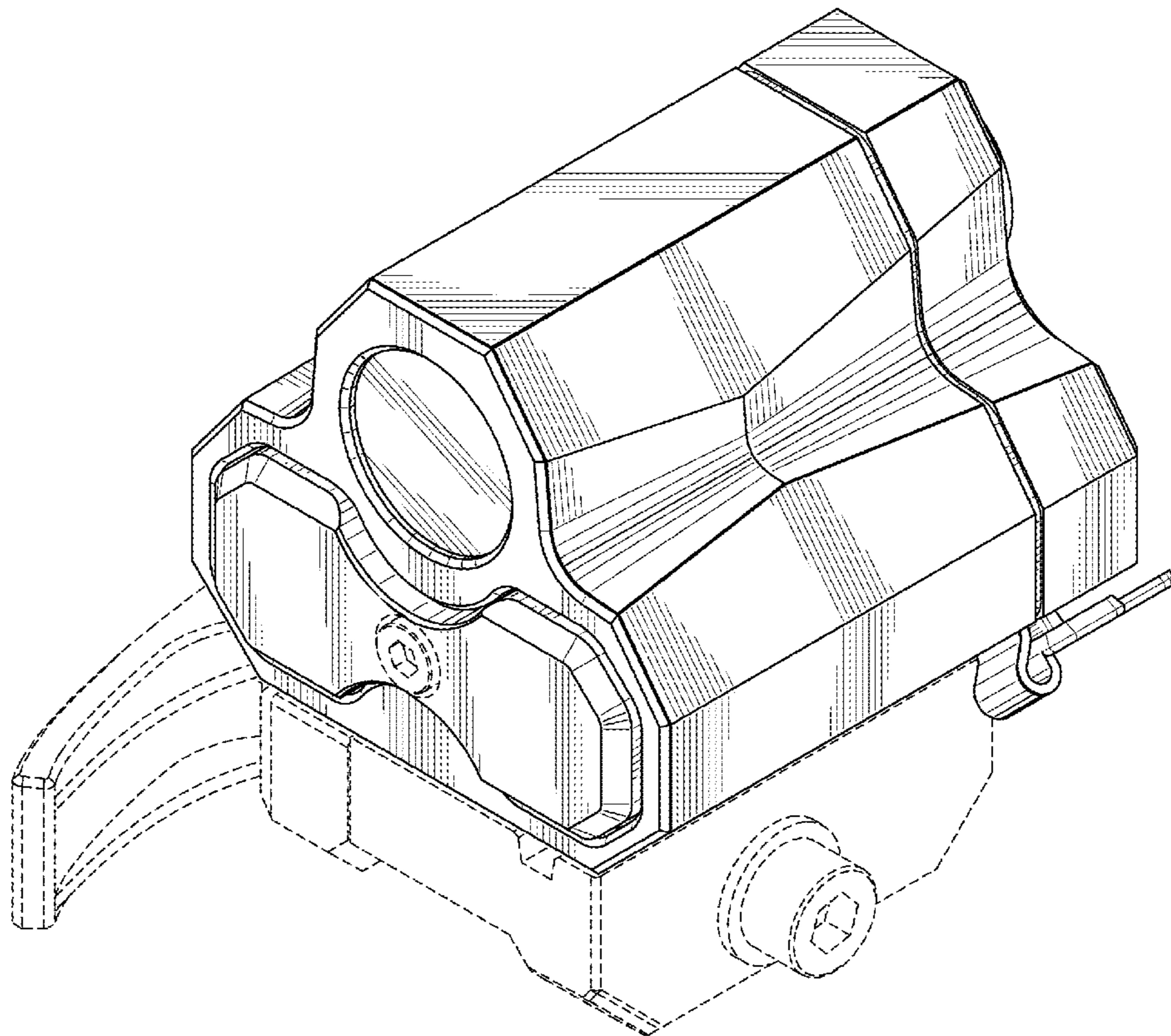
(57) **CLAIM**
The ornamental design for a housing for light, as shown and described.

DESCRIPTION

FIG. 1 is a front isometric view of a first embodiment of the housing for light;
 FIG. 2 is a rear isometric view thereof;
 FIG. 3 is a front plan view thereof;
 FIG. 4 is a right side plan view thereof;
 FIG. 5 is a left side plan view thereof;
 FIG. 6 is a rear plan view thereof;
 FIG. 7 is a top plan view thereof; and,
 FIG. 8 is a bottom plan view thereof.
 The broken line disclosure represents portion of the housing which form no part of the claimed design.

- (56) **References Cited**
U.S. PATENT DOCUMENTS
4,697,226 A * 9/1987 Verdin F41G 11/004
362/110
4,814,957 A 3/1989 Dennis

1 Claim, 5 Drawing Sheets



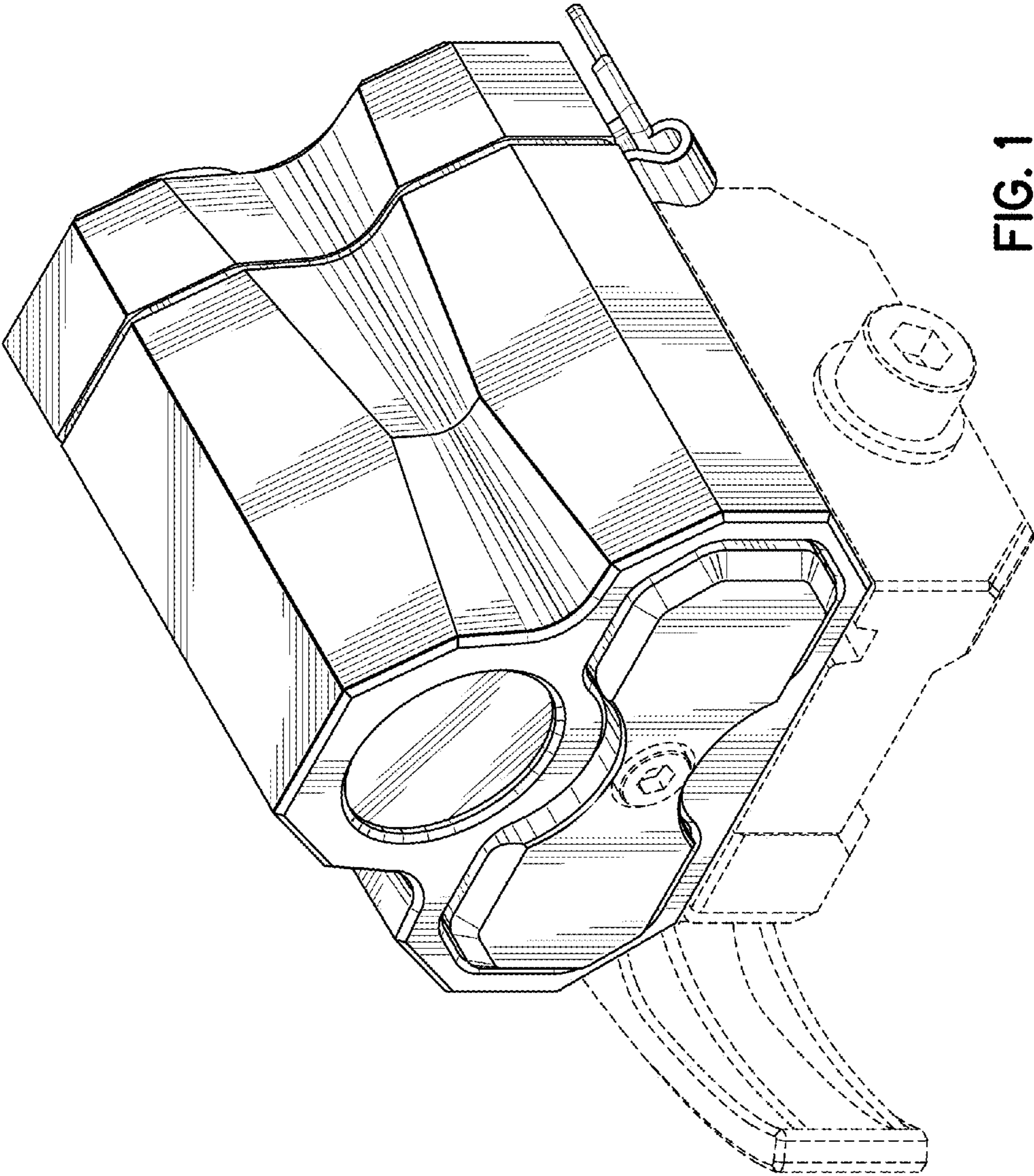


FIG. 1

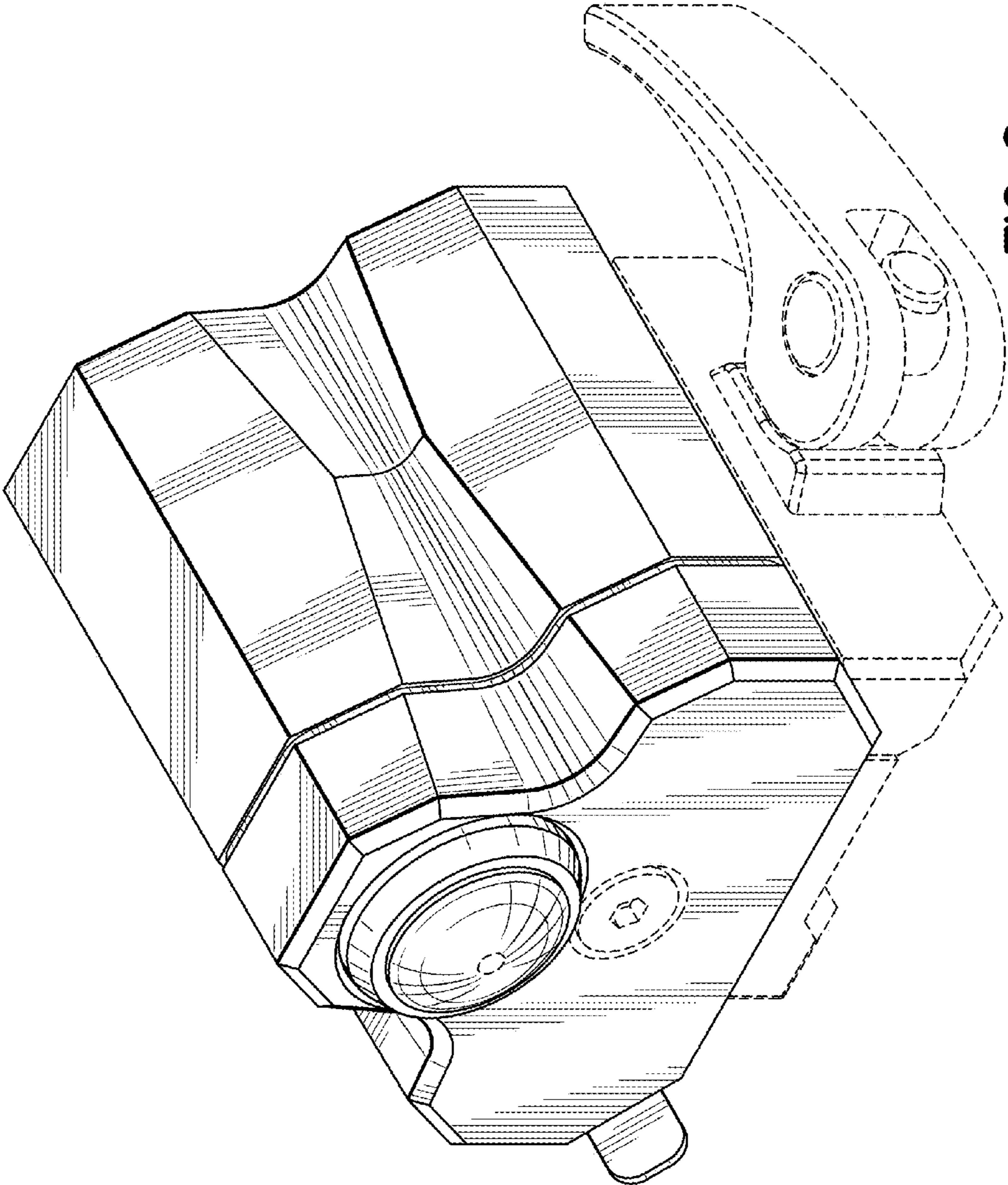


FIG. 2

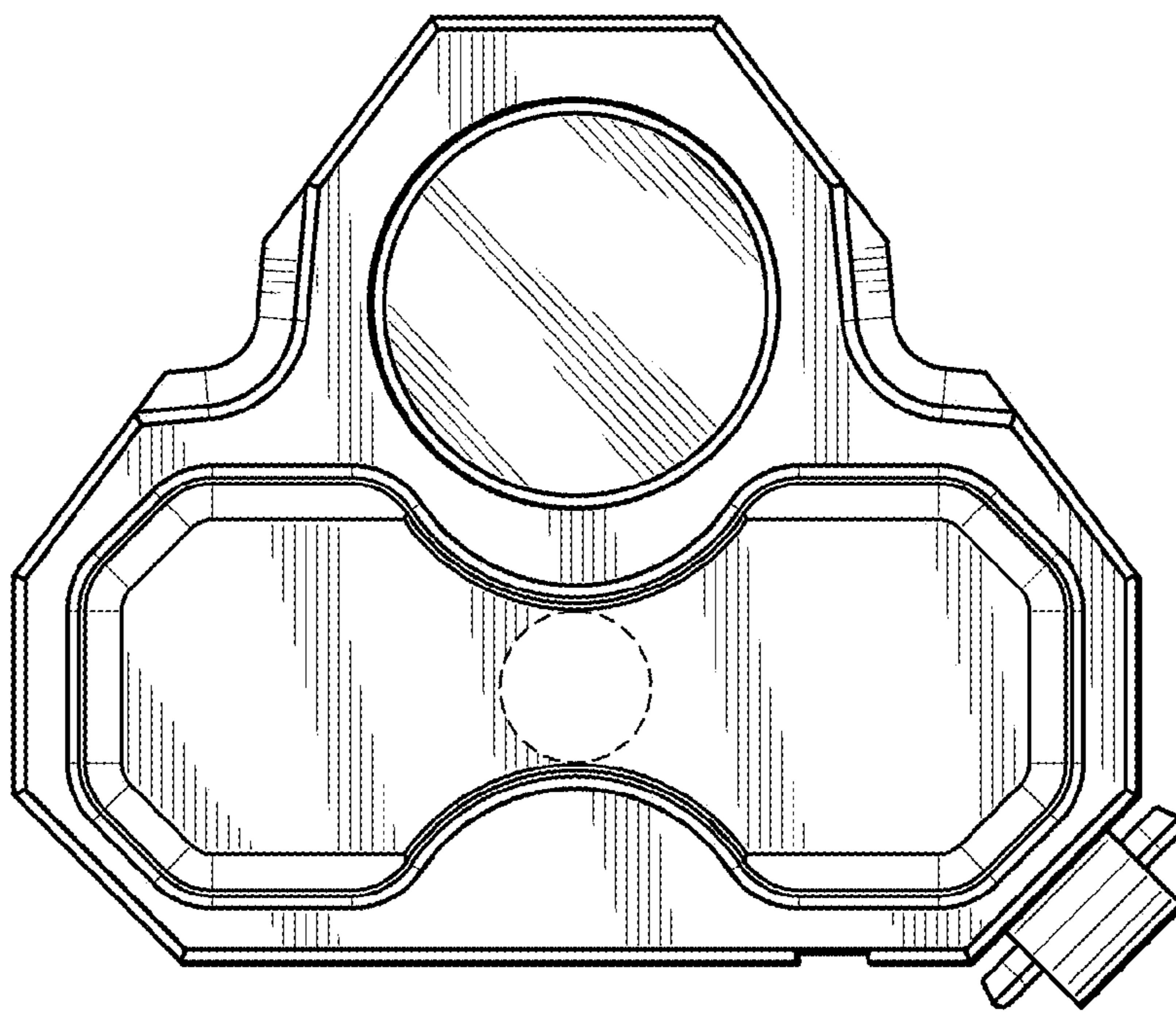


FIG. 3

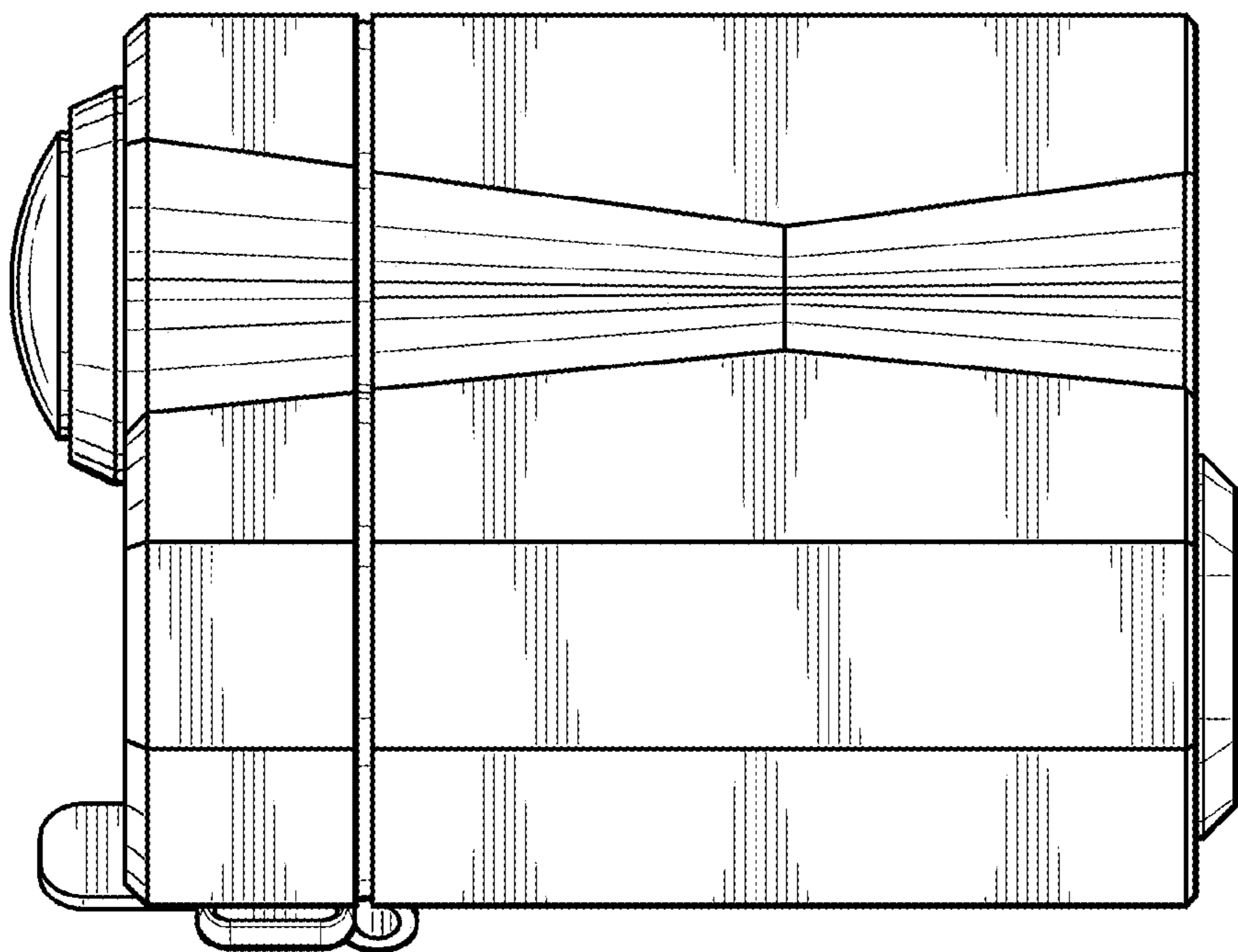


FIG. 4

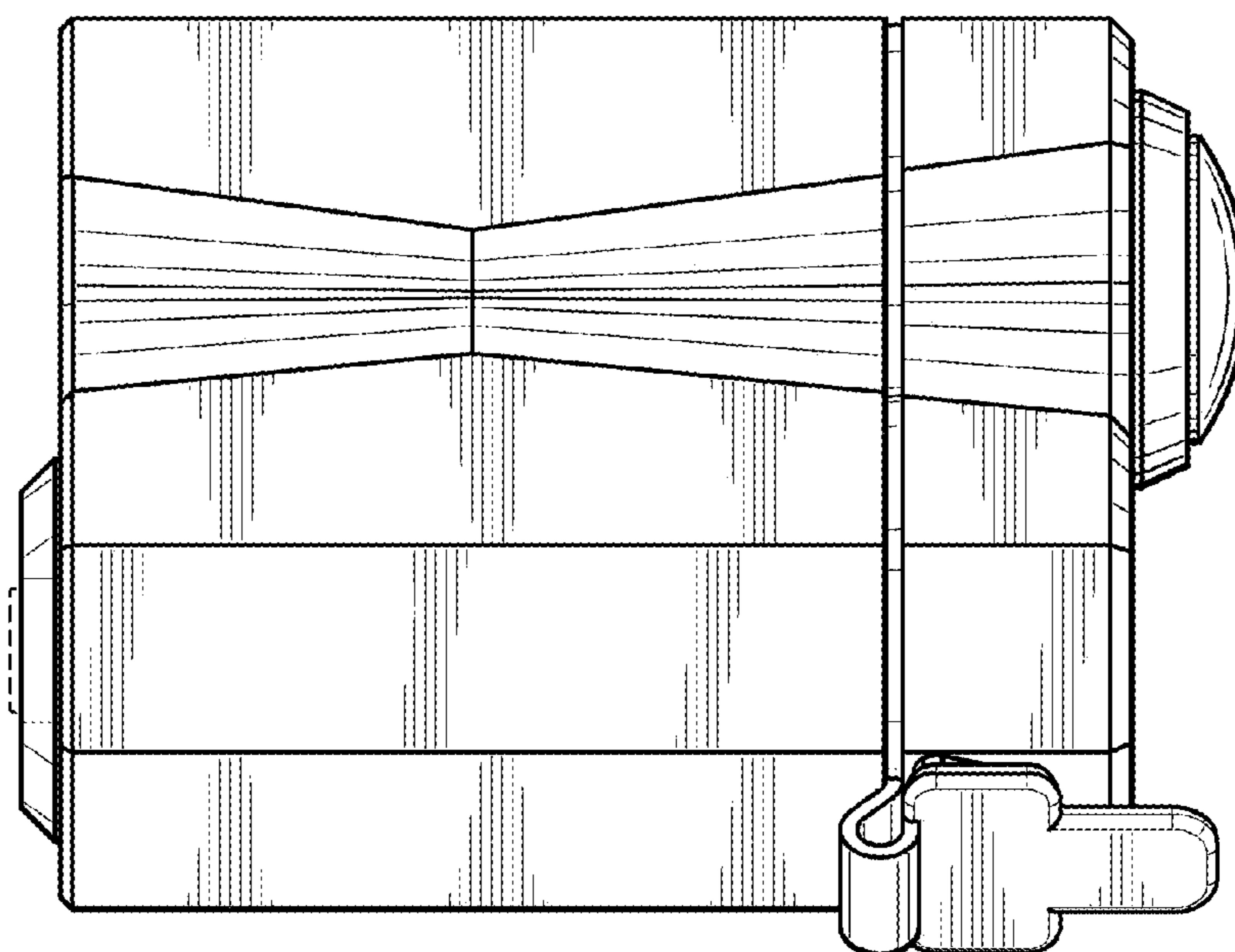


FIG. 5

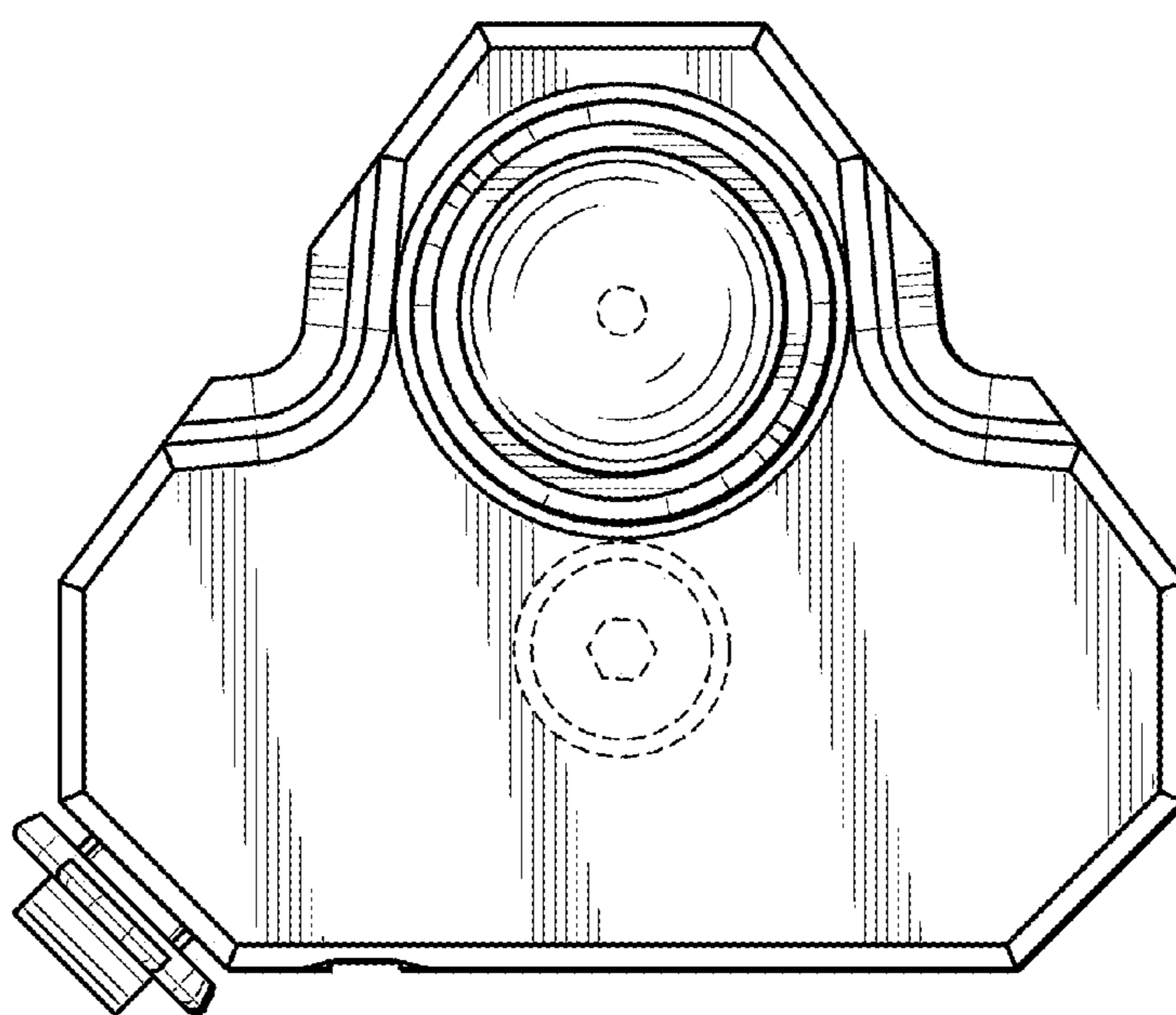


FIG. 6

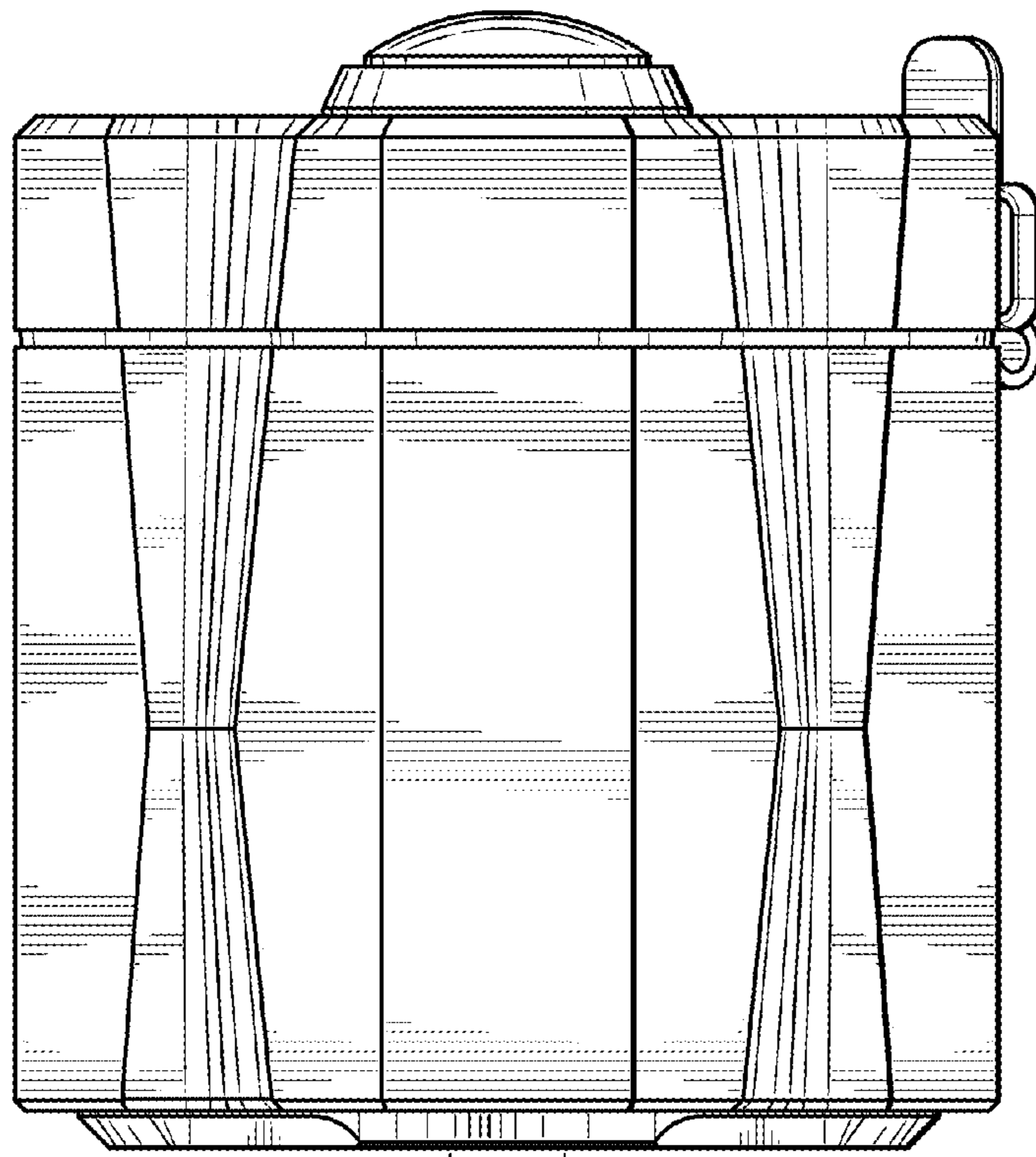


FIG. 7

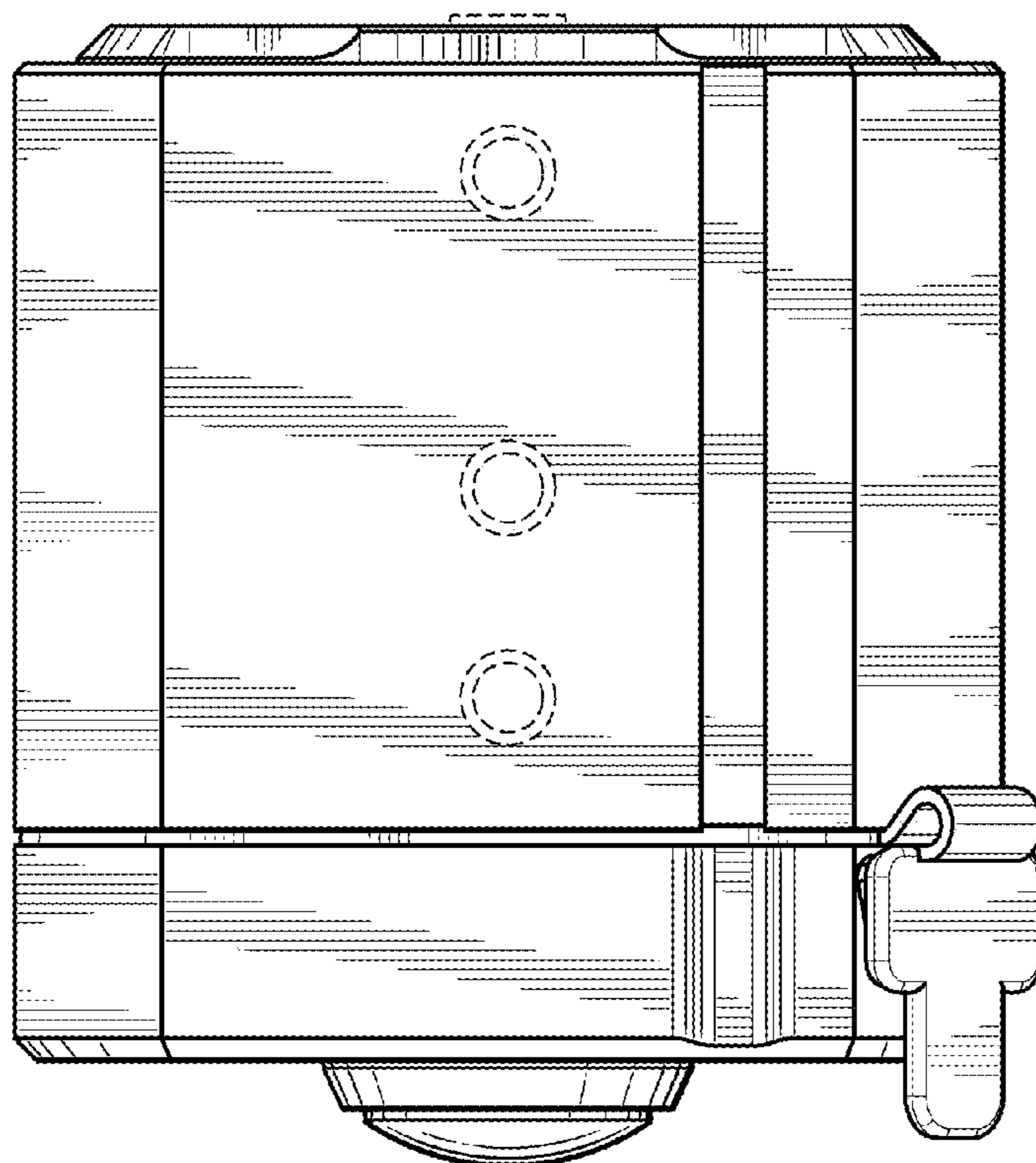


FIG. 8