



US00D752263S

(12) **United States Design Patent**
Keeley et al.

(10) **Patent No.:** **US D752,263 S**
(45) **Date of Patent:** **** Mar. 22, 2016**

(54) **PORTABLE LIGHT**

(71) Applicant: **Streamlight, Inc.**, Eagleville, PA (US)

(72) Inventors: **Donald J. Keeley**, Emmaus, PA (US);
Matthew B. Dalton, Elkins Park, PA (US)

(73) Assignee: **Streamlight, Inc.**, Eagleville, PA (US)

(**) Term: **14 Years**

(21) Appl. No.: **29/448,961**

(22) Filed: **Mar. 14, 2013**

Related U.S. Application Data

(63) Continuation of application No. 13/023,010, filed on Feb. 8, 2011, now Pat. No. 8,777,446, and a continuation of application No. 29/366,461, filed on Jul. 26, 2010, now Pat. No. Des. 681,246, which is a

(Continued)

(51) **LOC (10) Cl.** **26-02**

(52) **U.S. Cl.**
USPC **D26/44**

(58) **Field of Classification Search**
USPC D26/37-40, 43-47, 49, 51; 362/157,
362/158, 183, 184, 190-208
CPC F21L 2/00; F21L 4/00; F21L 4/005;
F21L 17/00; F21L 13/08; F21Y 2101/00;
F21V 21/30; F21V 21/406; F21W 2131/406;
F21W 2131/407

See application file for complete search history.

(56) **References Cited**

U.S. PATENT DOCUMENTS

D335,715 S 5/1993 Wan
5,410,237 A 4/1995 Sharrah et al.

(Continued)

OTHER PUBLICATIONS

Pelican Products, "Big Ed 3700 Photoluminescent Flashlight", http://www.pelican.com/lights_detail_print.php?recordID=3700PL, printed Jul. 22, 2010, 1 page.

(Continued)

Primary Examiner — Ian Simmons

Assistant Examiner — Carissa C Fitts

(74) *Attorney, Agent, or Firm* — Clement A. Berard, Esq.;
Dann, Dorfman, Herrell & Skillman, PC

(57) **CLAIM**

The ornamental design for a portable light, substantially as shown and described.

DESCRIPTION

FIG. 1 is a side view of a first side of the ornamental design for a portable light,

FIG. 2 is a side view of a second side thereof;

FIG. 3 is a side view of a third side thereof;

FIG. 4 is a side view of a fourth side thereof;

FIG. 5 is an end view of a first end thereof;

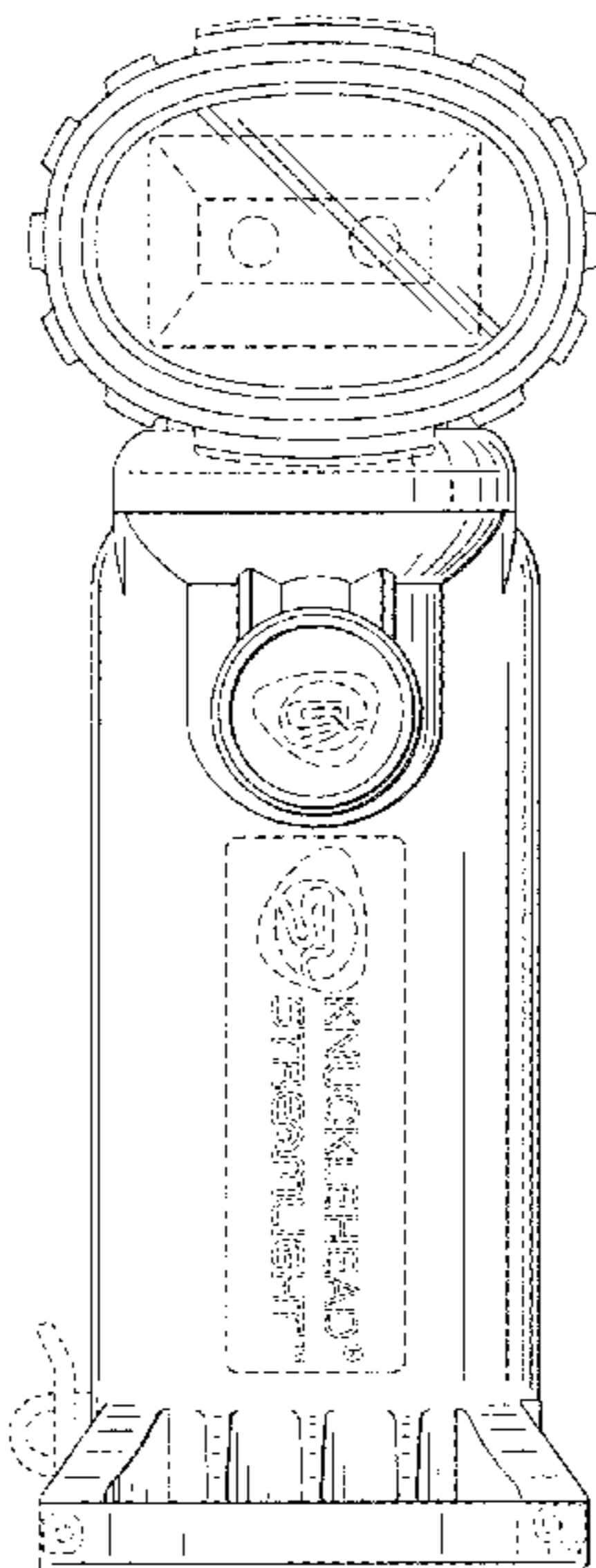
FIG. 6 is an end view of a base end thereof;

FIG. 7 is a side view of the third side of the portable light in which the moveable and pivotable head is rotated to a different position relative to the body thereof and is pivoted upward; and,

FIG. 8 is a side view of the second side of the portable light in which the moveable and pivotable head is rotated to a different position relative to the body thereof and is pivoted upward.

Broken lines in the illustrations of the drawing indicate unclaimed parts of the article and/or unclaimed environment that are not part of the design claimed herein.

1 Claim, 8 Drawing Sheets



Related U.S. Application Data

continuation of application No. 29/355,530, filed on Feb. 9, 2010, now abandoned.

(60) Provisional application No. 61/302,815, filed on Feb. 9, 2010.

(56) **References Cited**

U.S. PATENT DOCUMENTS

D373,211	S	8/1996	Heun	
D375,570	S	11/1996	Hayakawa et al.	
D378,434	S	3/1997	Petterson et al.	
5,833,358	A	11/1998	Patik	
D404,839	S *	1/1999	Petterson et al.	D26/44
5,871,272	A	2/1999	Sharrah et al.	
D409,777	S	5/1999	Sharrah et al.	
D410,557	S	6/1999	Petterson et al.	
D413,994	S *	9/1999	Clowers et al.	D26/44
6,012,824	A	1/2000	Sharrah et al.	
6,224,230	B1	5/2001	Roegiers	
6,250,771	B1	6/2001	Sharrah et al.	
6,350,040	B1	2/2002	Parker	
D467,375	S *	12/2002	Lynch et al.	D26/44
6,523,972	B2	2/2003	Sharrah et al.	
6,585,400	B2	7/2003	Leen	
D481,146	S *	10/2003	Yuen	D26/37
6,633,152	B2	10/2003	Sharrah et al.	
6,659,621	B2	12/2003	Sharrah et al.	
6,752,514	B2 *	6/2004	Parker	362/183
6,802,623	B1 *	10/2004	Hsu et al.	362/199
6,817,730	B2	11/2004	Sharrah et al.	
D499,501	S *	12/2004	Chan	D26/42
D499,826	S *	12/2004	Ping	D26/44
D500,154	S *	12/2004	Lee	D26/42
D524,957	S *	7/2006	Lobert et al.	D26/28
7,109,683	B2 *	9/2006	Parker	320/114
D536,464	S	2/2007	Kingston et al.	
7,172,310	B2	2/2007	Hsu	
7,188,969	B2 *	3/2007	Uke et al.	362/208
7,229,189	B2	6/2007	Parker et al.	
D549,373	S *	8/2007	Osiecki et al.	D26/44
D552,279	S	10/2007	Osiecki et al.	
D552,280	S	10/2007	Osiecki et al.	
7,314,286	B2	1/2008	Sharrah et al.	
D563,005	S	2/2008	Oles et al.	
D564,113	S *	3/2008	Yuen	D26/42
7,338,189	B2	3/2008	Kovacik et al.	
D567,418	S	4/2008	Gilbert et al.	
7,510,294	B2	3/2009	Steele et al.	
D590,971	S	4/2009	Spartano et al.	
D599,925	S	9/2009	Kingston	
D599,926	S	9/2009	Schoch	
D604,876	S	11/2009	Chadwick	

D605,795	S	12/2009	Baker et al.	
7,646,973	B2	1/2010	Howard et al.	
7,699,491	B2	4/2010	Sharrah et al.	
7,731,385	B2	6/2010	Spartano et al.	
D620,161	S	7/2010	Kang et al.	
7,850,330	B2	12/2010	Spartano	
7,857,480	B2	12/2010	Steele et al.	
D632,411	S *	2/2011	Vanderbeek	D26/48
D651,334	S *	12/2011	Yuen	D26/50
8,075,156	B2	12/2011	Steele et al.	
8,142,045	B2	3/2012	Peak	
D681,246	S *	4/2013	Keeley et al.	D26/44
D681,858	S *	5/2013	Sharrah et al.	D26/49
2003/0151914	A1	8/2003	Kish et al.	
2009/0290335	A1	11/2009	Levine	

OTHER PUBLICATIONS

Getflashlights.com, "Energizer-Eveready Flashlights", http://www.getflashlights.com/energizer_eveready..., printed May 20, 2010, 5 pages.

Streamlight, Inc., "Survivor Series", www.streamlight.com, © 2010, 4 pages.

Patent Cooperation Treaty, "Notification of Transmittal of the International Search Report and the Written Opinion of the International Searching Authority", May 12, 2011, 11 pages.

LED-WorkLight, "Ultimate Technician's Work Light", 2 pages, © 2010.

Aqua-Air Industries, "Picture of LaserFlex™ 2D", prior to Feb. 8, 2011, 1 page.

Rayovac, "2AA Industrial Swivel Light with Heavy Duty Batteries", printed Feb. 8, 2011, 1 page.

Rayovac, "Black & Decker Lights", including "2AA Swivel Head Work Light", "2AA Work Light", "2D Swivel Head Work Light", "Flex360 LED Clamp Light", "LED Clip Flashlight", and "LED Pocket Flex Light", www.rayovac.com/en/products/lights, printed Feb. 8, 2011, 8 pages.

Rayovac, "Sportsman 2AA Swivel-Lite pictures", object prior to Feb. 9, 2010 (pictures taken Jun. 2011), 6 pages.

Rayovac, "Rayovac light pictures", object prior to Feb. 9, 2010 (photos taken Jun. 2011), 4 pages.

Rayovac, "Swivel-Lite pictures", ca. 1996 (photos taken Jun. 2011), 4 pages.

Maxxeon, "WorkStar 1400 light pictures", object prior to Feb. 9, 2010 (photos taken Jun. 2011), 3 pages.

Adaro Tecnologia, SA, "Adalit L2000" web page and pages from brochure, www.adalit.es/EN/HAdalitL2000EN.html, Publicacion No. EP-DA-8/1, Emission: Agosto/06. Rev.0, printed Apr. 18, 2011, 2 pages.

Adaro Tecnologia, SA, "Adalit L2000-L/LB Safety Rechargeable Torch User Instructions", Publicacion No. EP-DA-8/3, Emission: Enero 08. Rev.3, date: Jul. 24, 2006, 16 pages.

* cited by examiner

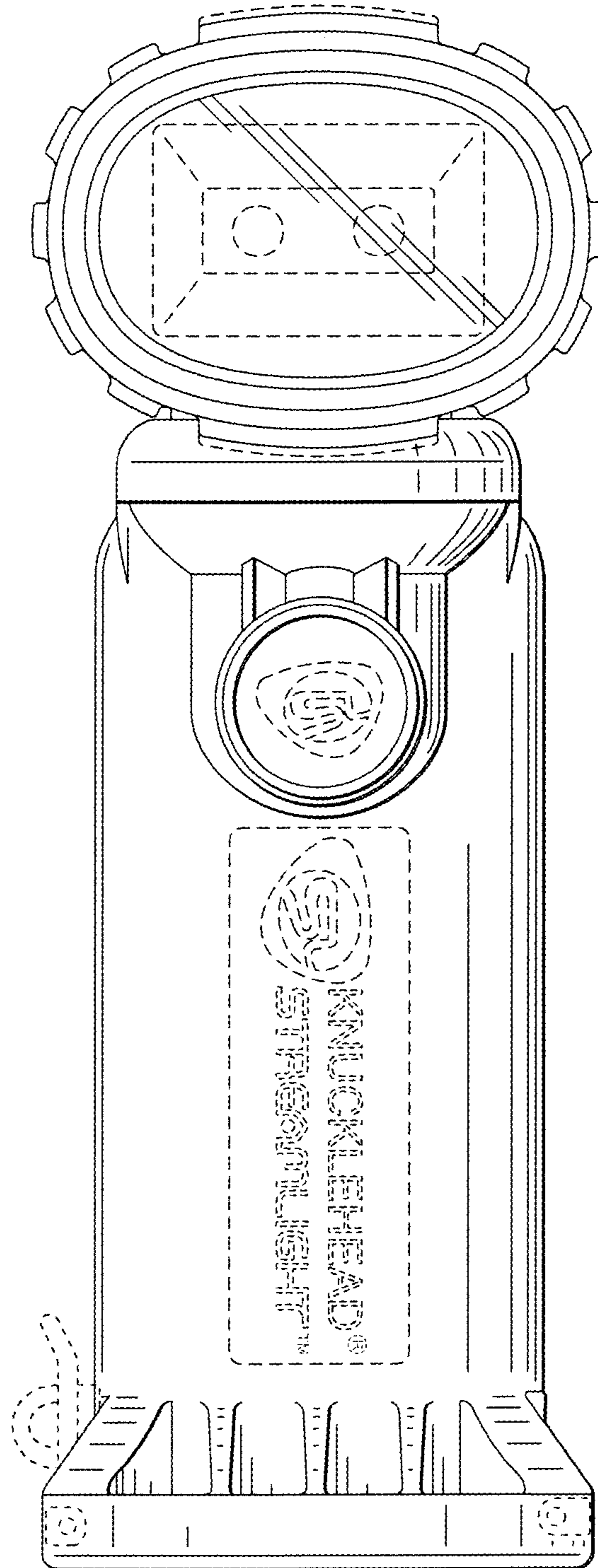


Fig. 1

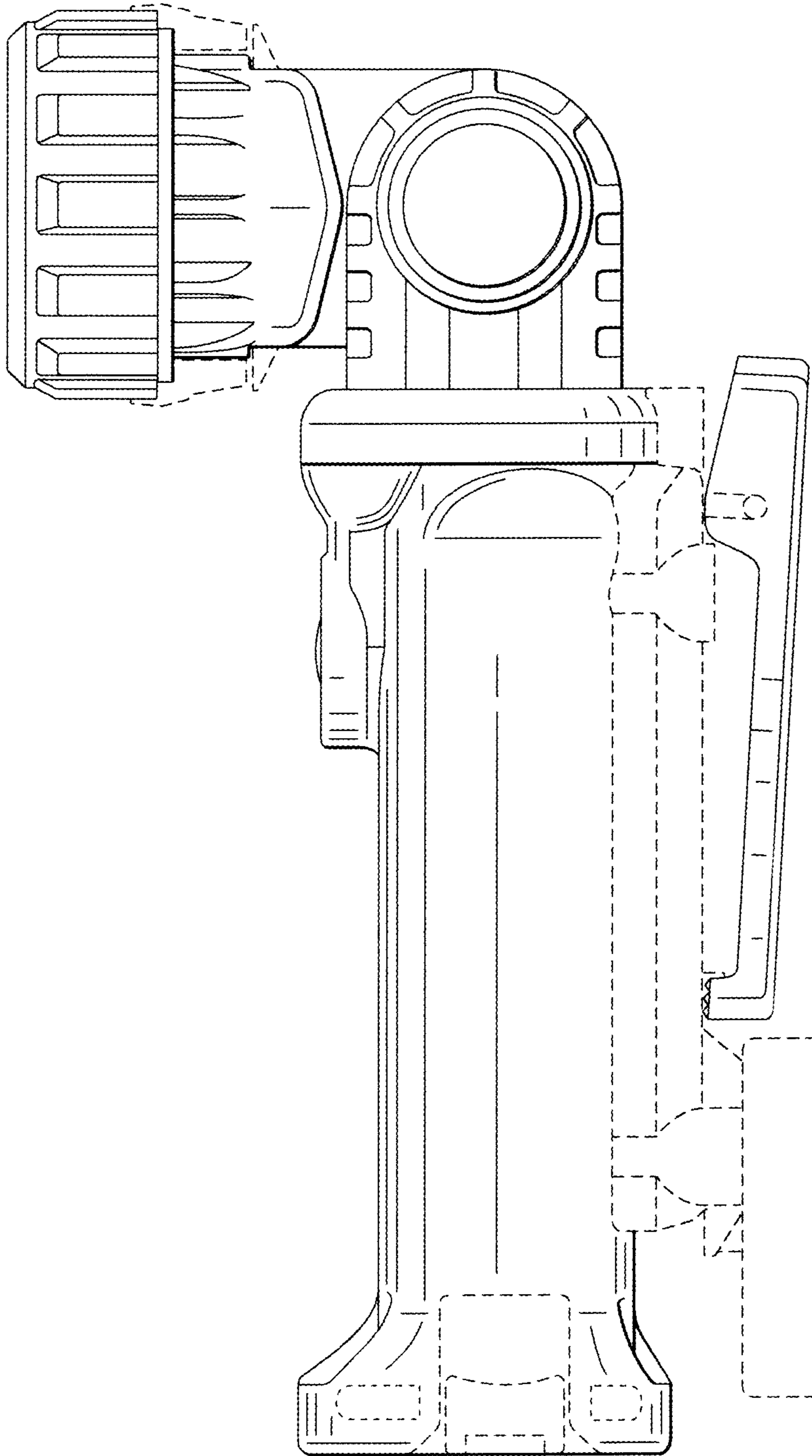


Fig. 2

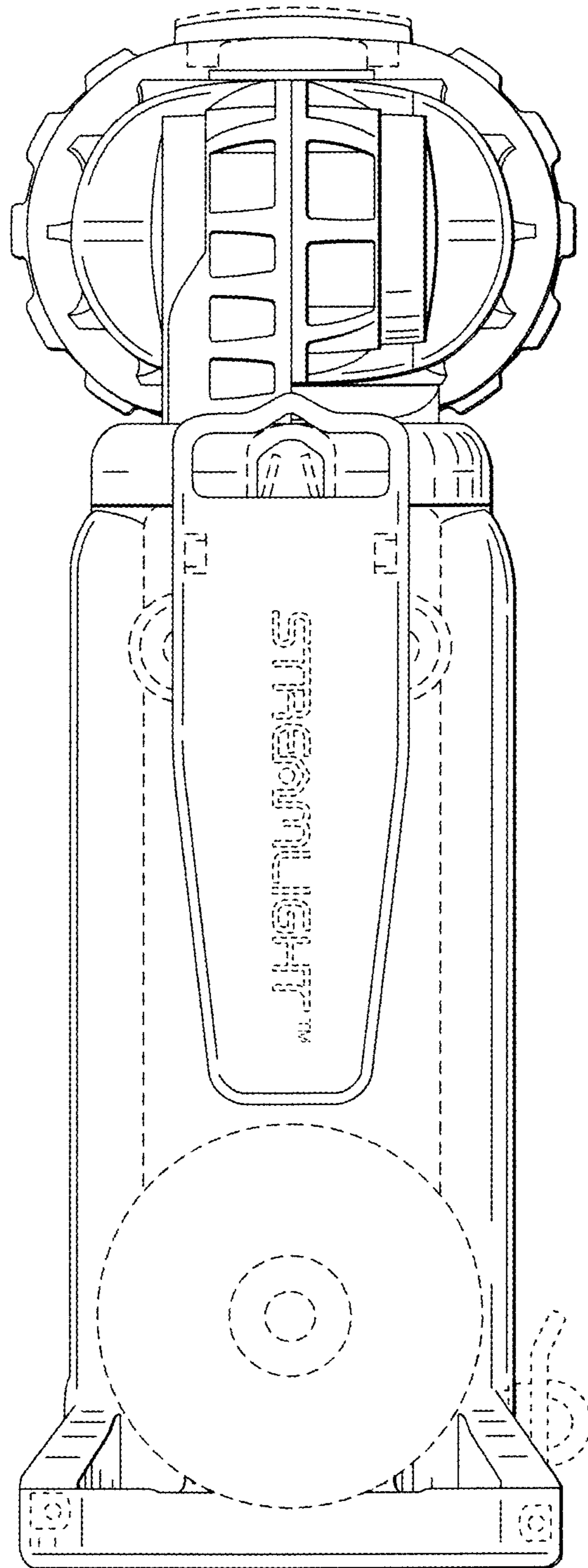


Fig. 3

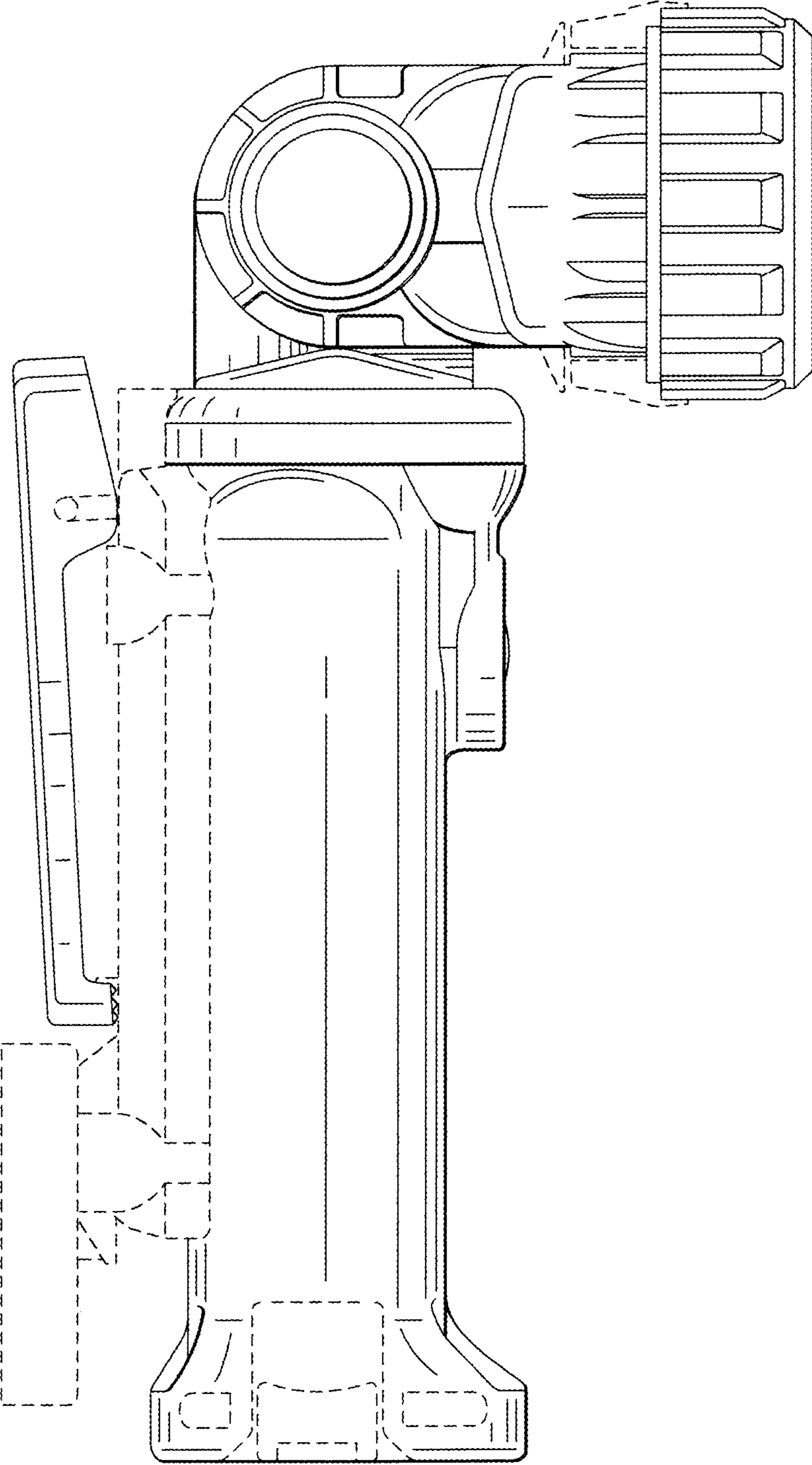


Fig. 4

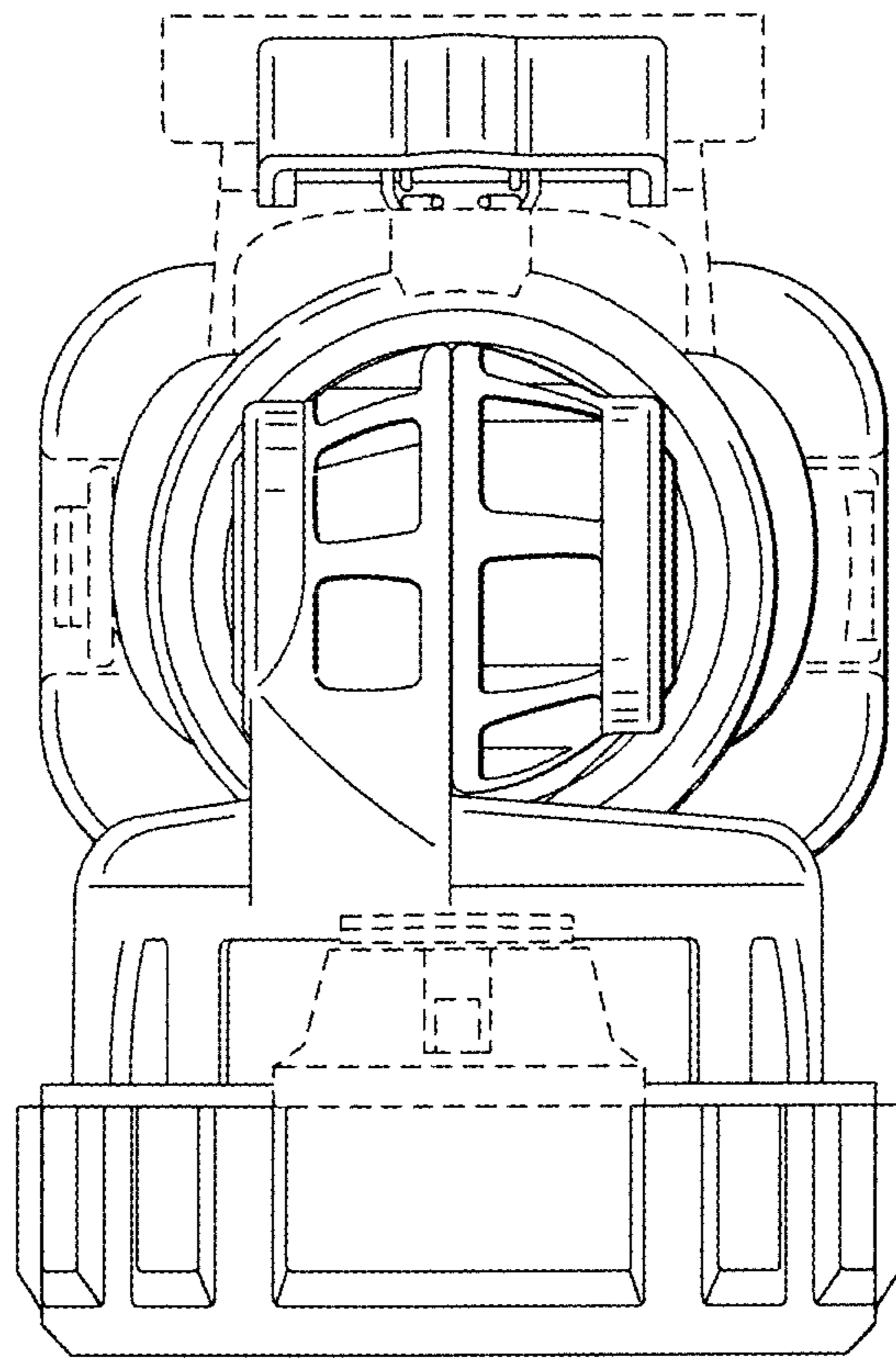


Fig. 5

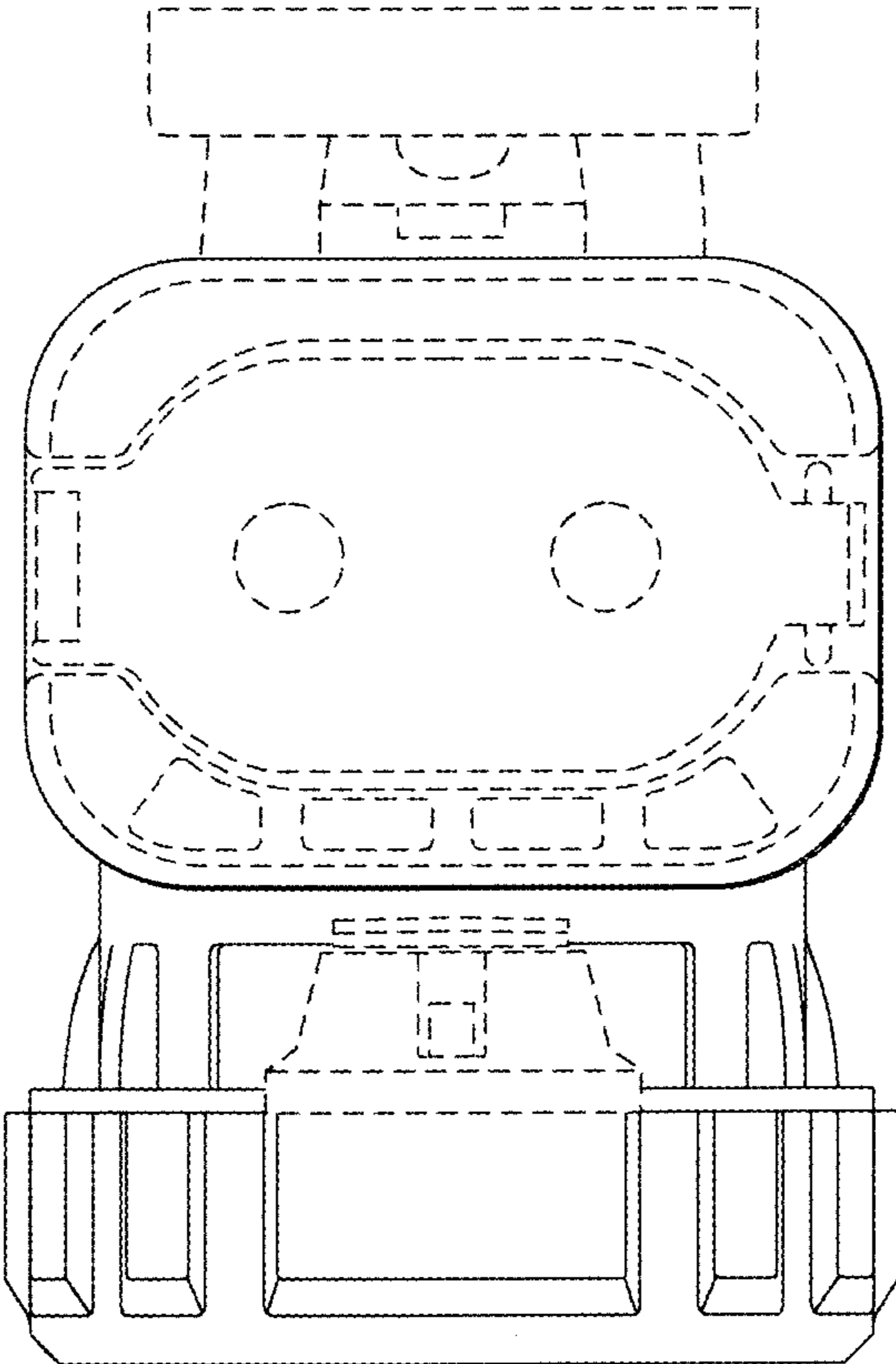


Fig. 6

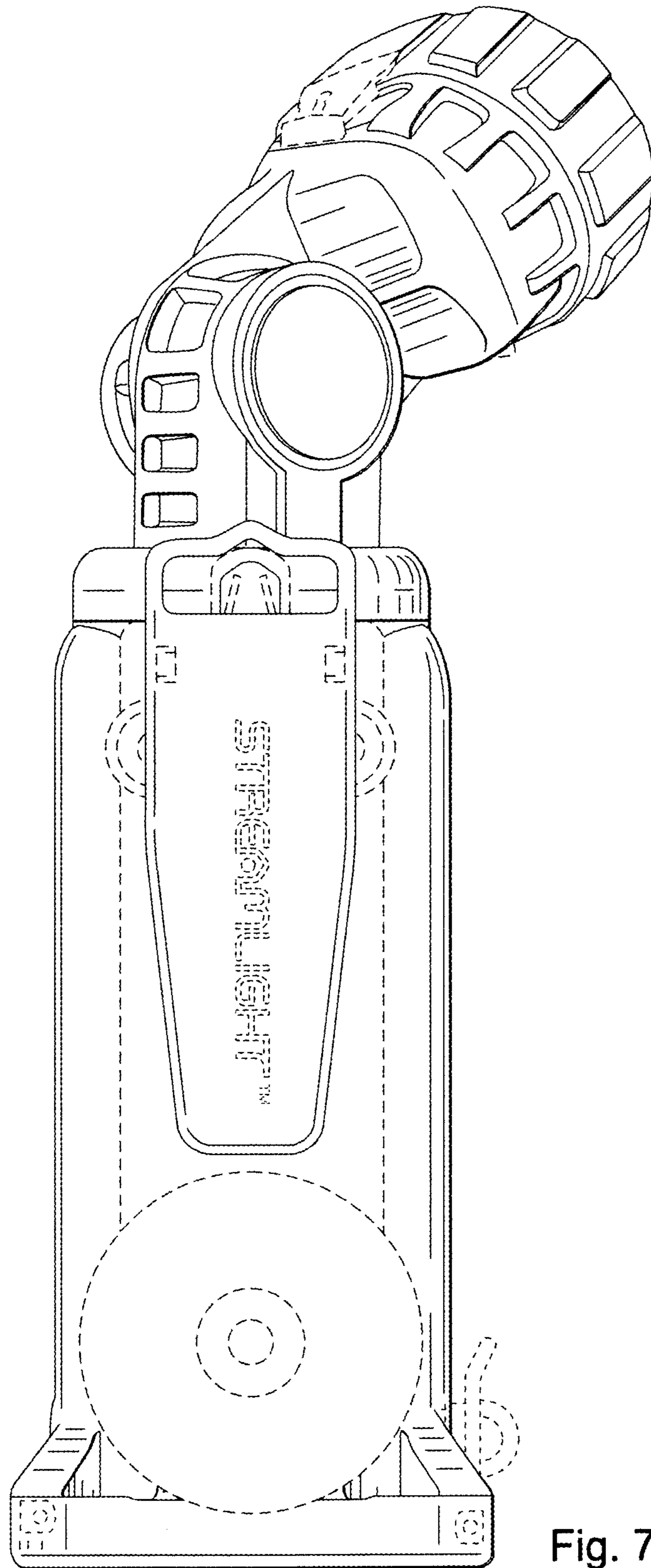


Fig. 7

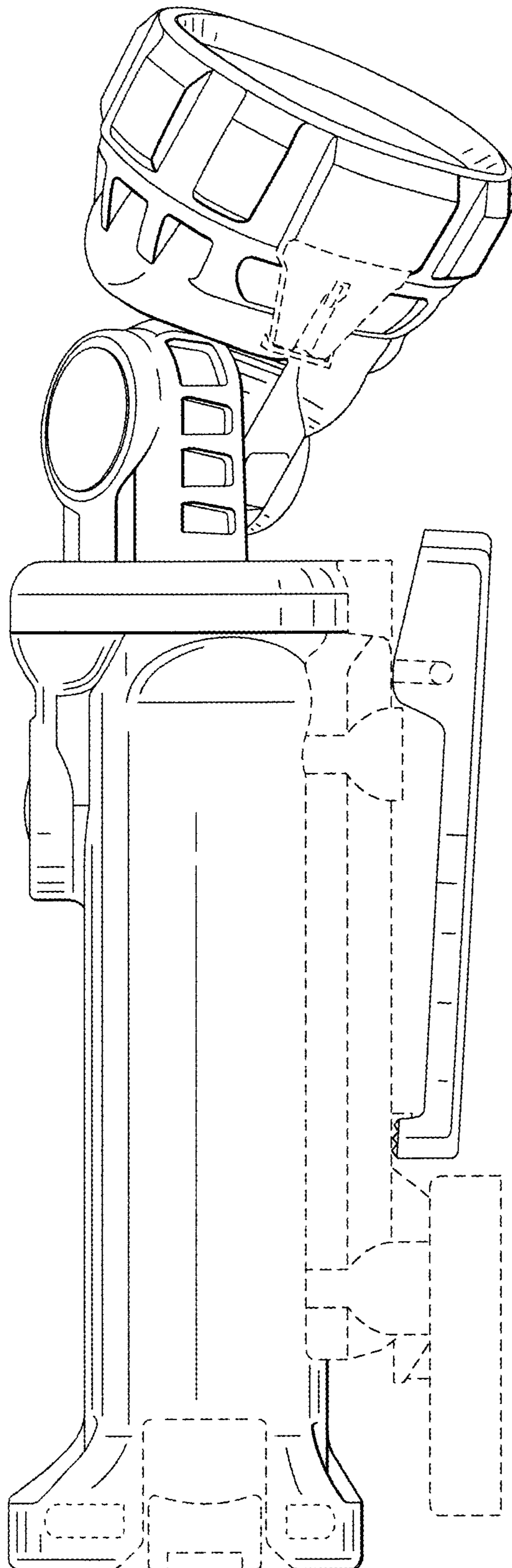


Fig. 8