



US00D752261S

(12) **United States Design Patent**
Ma

(10) **Patent No.:** **US D752,261 S**
(45) **Date of Patent:** **** Mar. 22, 2016**

(54) **LIGHTING DEVICE**

(71) Applicant: **Energizer Brands, LLC**

(72) Inventor: **Lai King Ma**, Lake Silver (HK)

(73) Assignee: **Energizer Brands, LLC**, St. Louis, MO (US)

(**) Term: **14 Years**

(21) Appl. No.: **29/504,472**

(22) Filed: **Oct. 7, 2014**

(51) **LOC (10) Cl.** **26-02**

(52) **U.S. Cl.**
USPC **D26/39**

(58) **Field of Classification Search**
USPC D26/37, 38, 39, 46, 51; 362/103–108,
362/157, 158, 184, 186, 194–196, 200–208,
362/253

CPC F21V 33/00; F21V 14/025; F21V 21/406;
F21Y 2101/02; F21L 17/00; F21L 13/08;
F21L 2001/00; F21L 14/02

See application file for complete search history.

(56) **References Cited**

U.S. PATENT DOCUMENTS

D394,720 S	5/1998	Yuen	
D426,330 S *	6/2000	Cramer	D26/38
D492,052 S *	6/2004	Schnell	D26/39
D554,782 S	11/2007	Shiu	
D614,786 S	4/2010	Lee	
D625,862 S *	10/2010	Fitch	D26/39
7,922,349 B2 *	4/2011	Hunnewell	A45C 15/06
			362/103
D648,468 S *	11/2011	Gibson	D26/49
D651,732 S *	1/2012	Hopkins	D26/39
D658,323 S *	4/2012	Freschl	D26/39
8,517,559 B1 *	8/2013	Freschl	F21L 13/06
			362/105

D696,803 S *	12/2013	Kingston	D26/39
D736,977 S *	8/2015	Petzl	D26/39
D736,978 S *	8/2015	Petzl	D26/39
D736,979 S *	8/2015	Petzl	D26/39
D736,980 S *	8/2015	Petzl	D26/39

FOREIGN PATENT DOCUMENTS

CN	300804725	7/2008
CN	302782980	4/2014
CN	302866807	7/2014
EM	000703467-0001	4/2007
EM	000703467-0002	4/2007
KR	300738438	4/2014

* cited by examiner

Primary Examiner — Ian Simmons

Assistant Examiner — Carissa C Fitts

(74) *Attorney, Agent, or Firm* — McDonald Hopkins LLC

(57) **CLAIM**

I claim the ornamental design for a lighting device, as shown and described.

DESCRIPTION

FIG. 1 is a front perspective view of the design with the headstrap attached;

FIG. 2 is a front perspective view of the design;

FIG. 3 is a rear perspective view of the design;

FIG. 4 is a front view of the design;

FIG. 5 is a back view of the design;

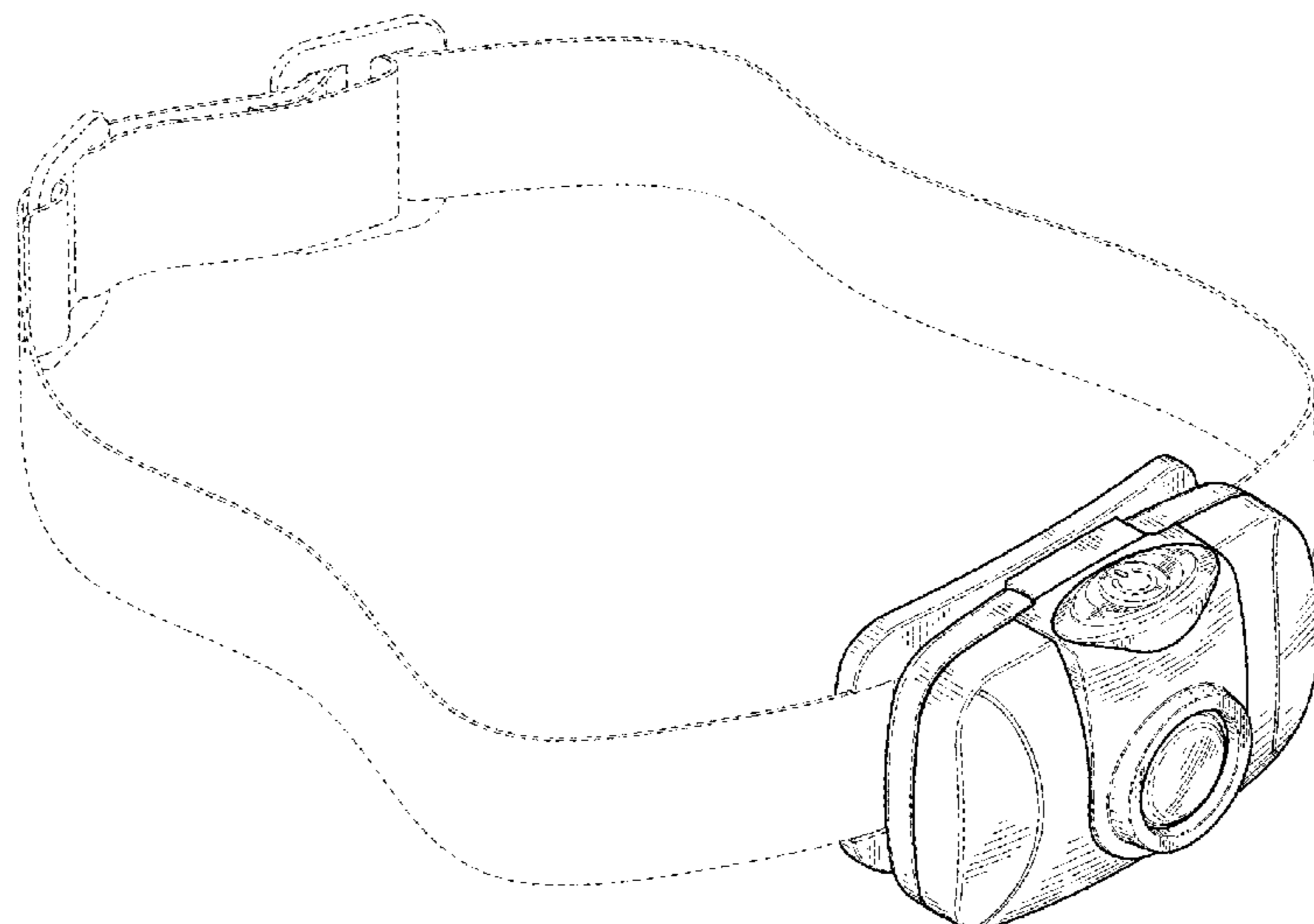
FIG. 6 is a right side view of the design, the left side view of the design is a mirror image of the right side view;

FIG. 7 is a top view of the design; and,

FIG. 8 is a bottom view of the design.

The broken lines immediately adjacent to the shaded areas represent the boundaries of the claimed design. The broken line showing of the strap detail in FIG. 1 represents environment. None of the broken lines form part of the claimed design.

1 Claim, 7 Drawing Sheets



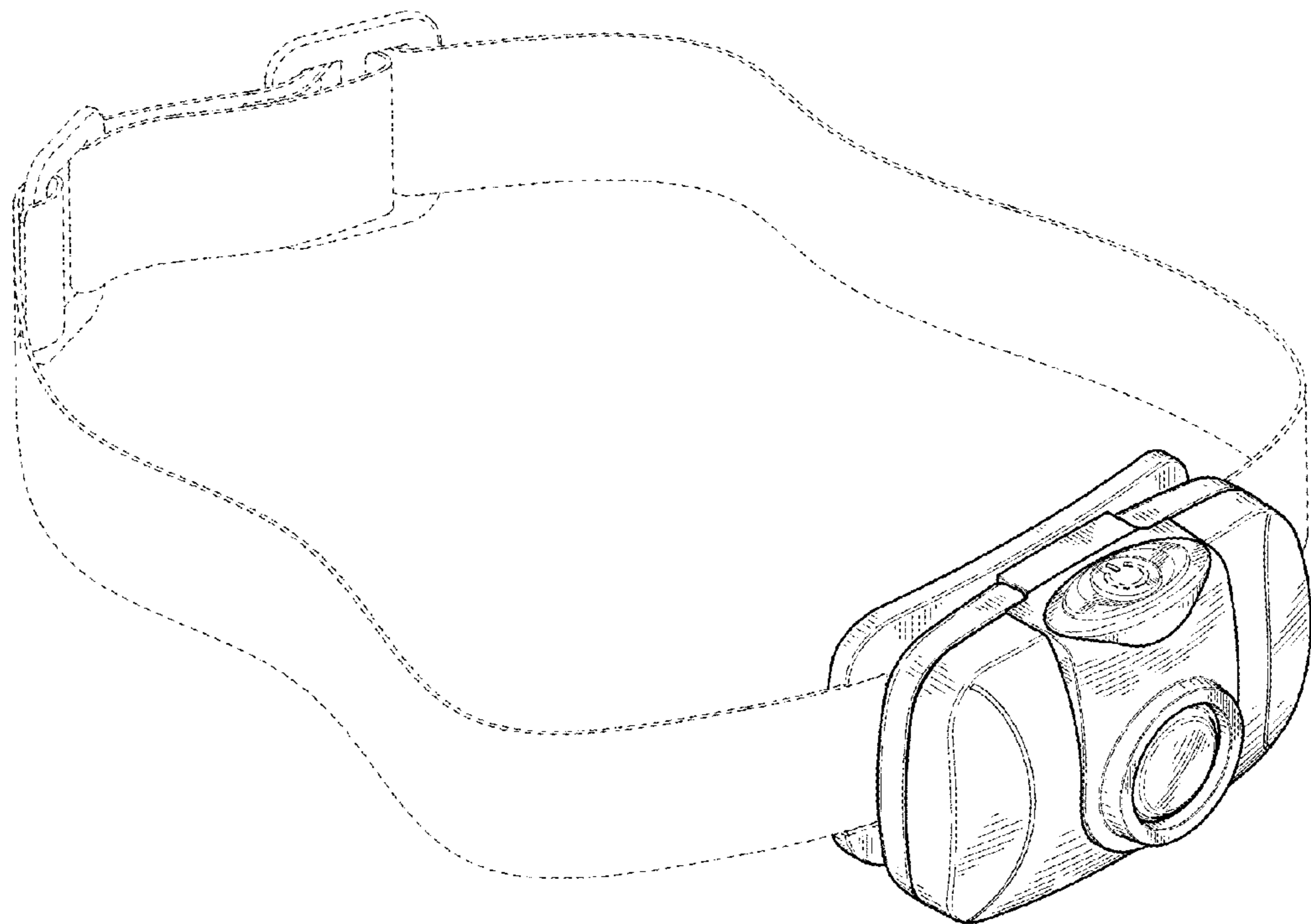


Fig. 1

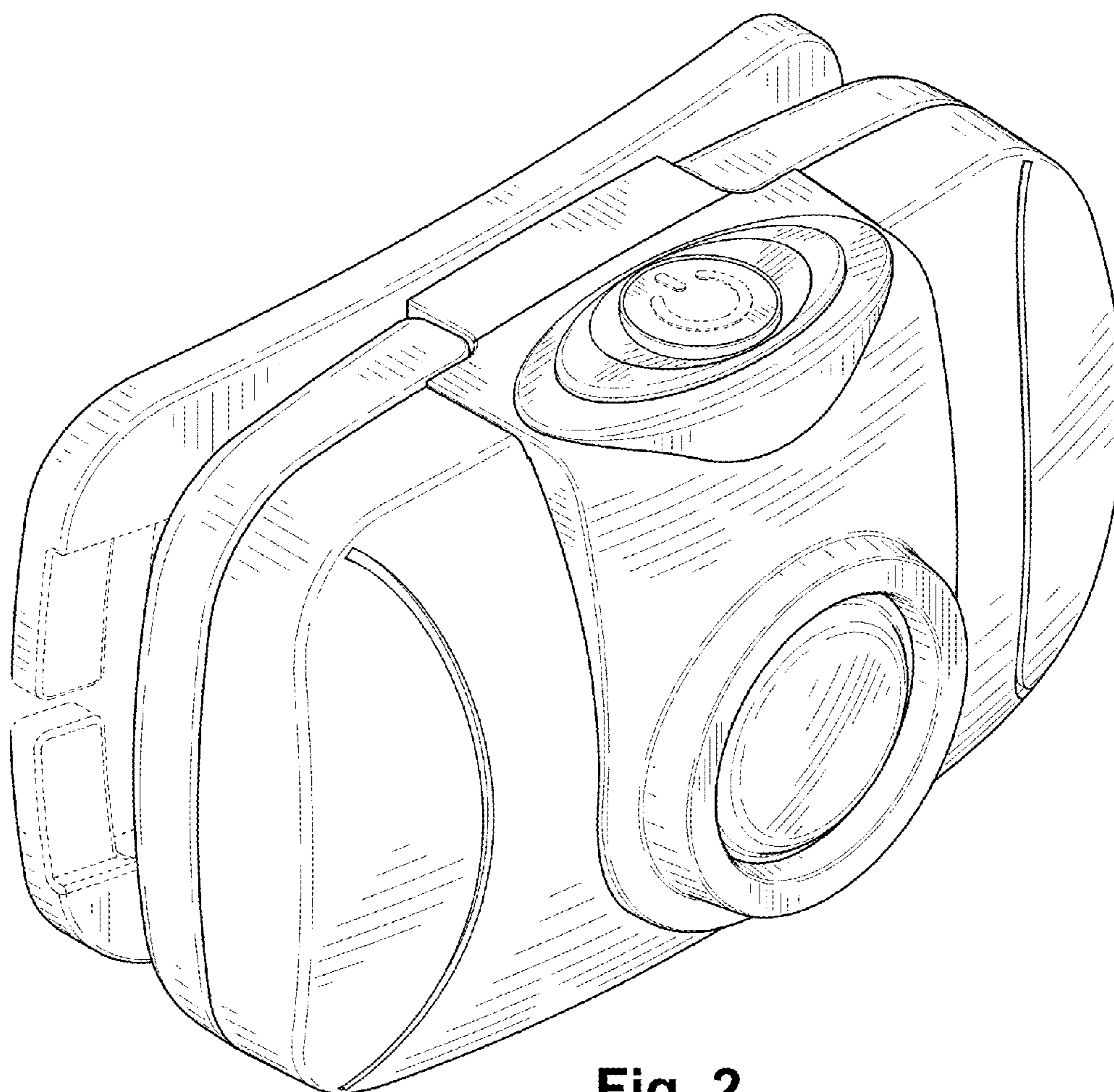


Fig. 2

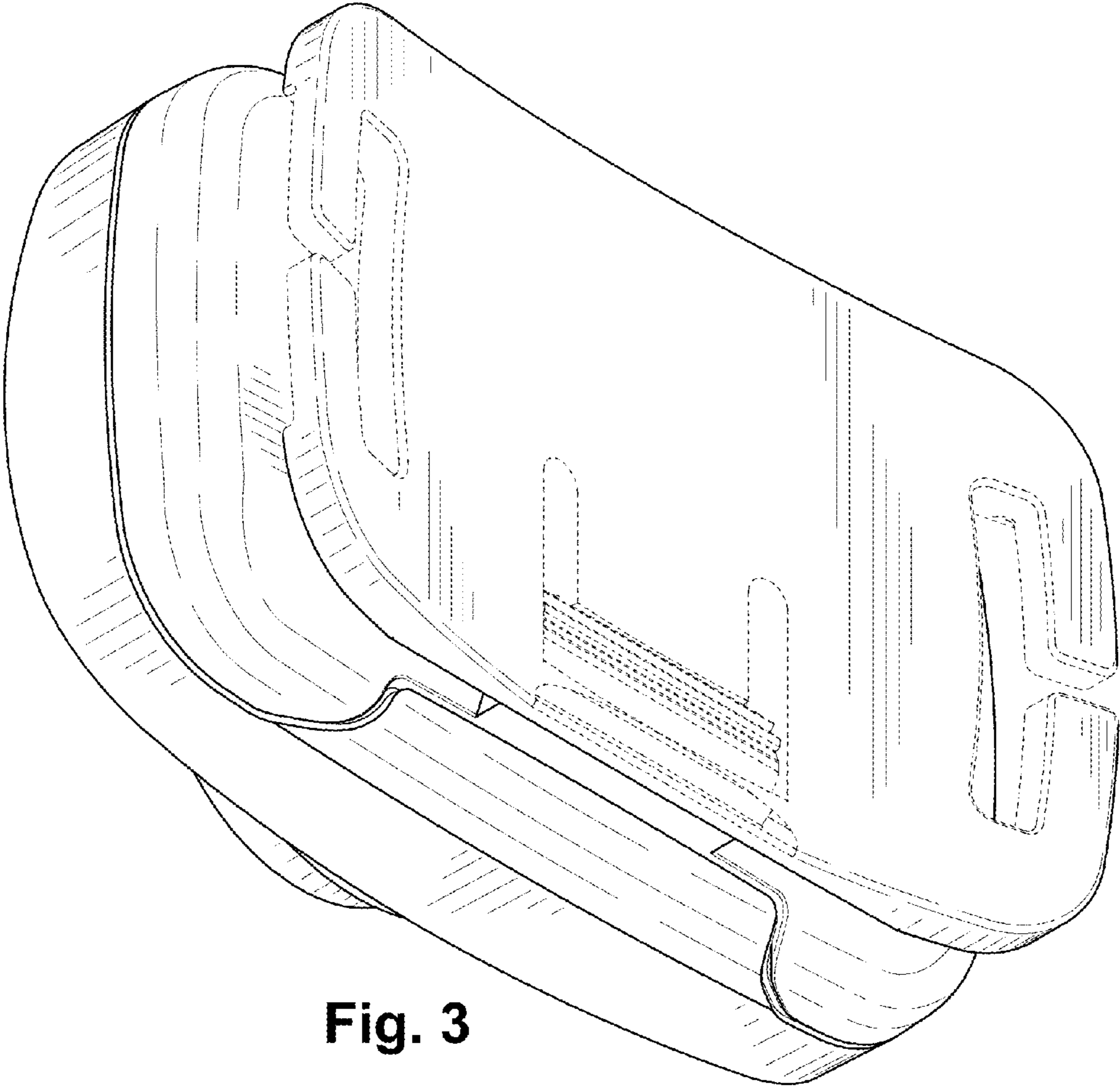


Fig. 3

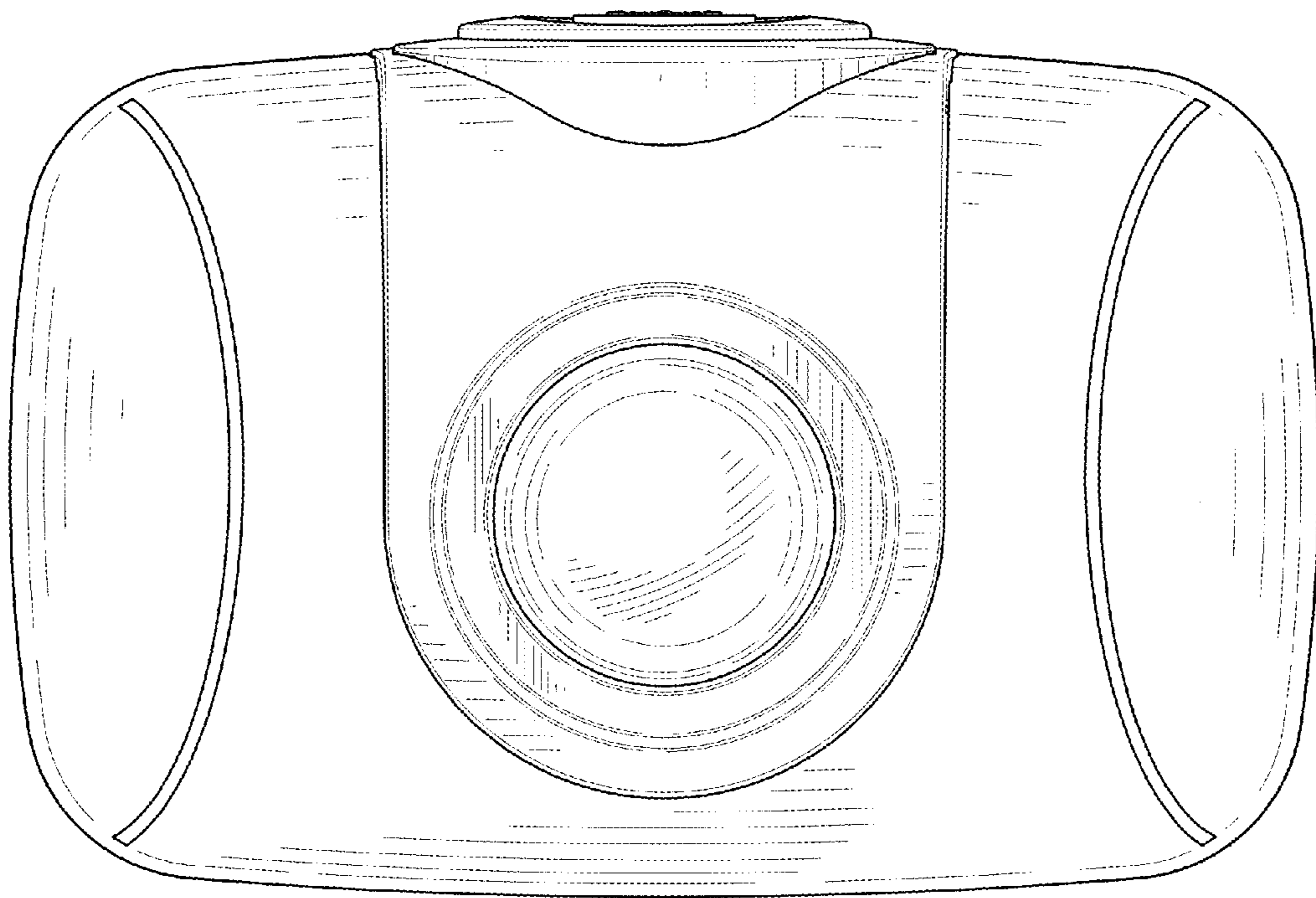


Fig. 4

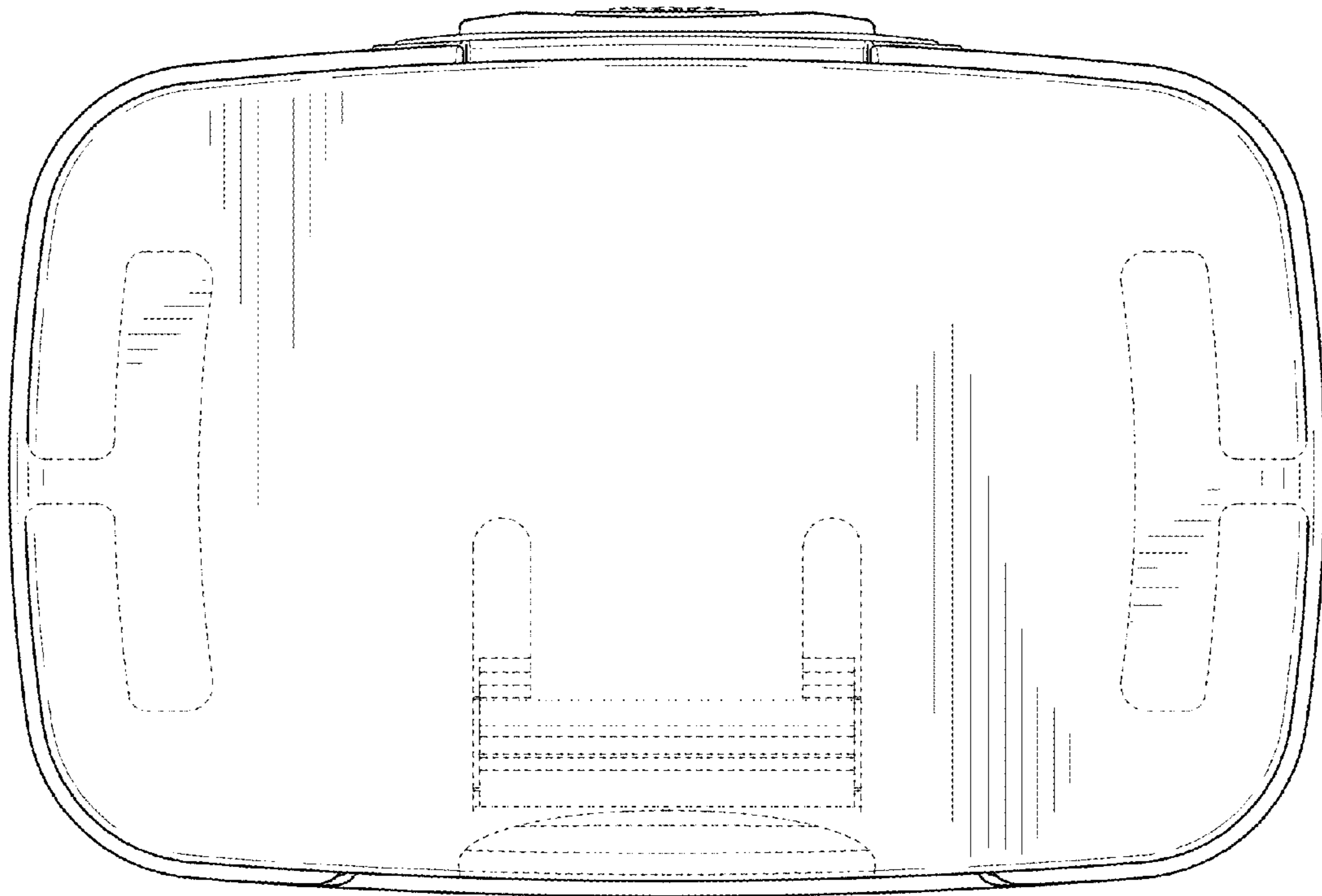


Fig. 5

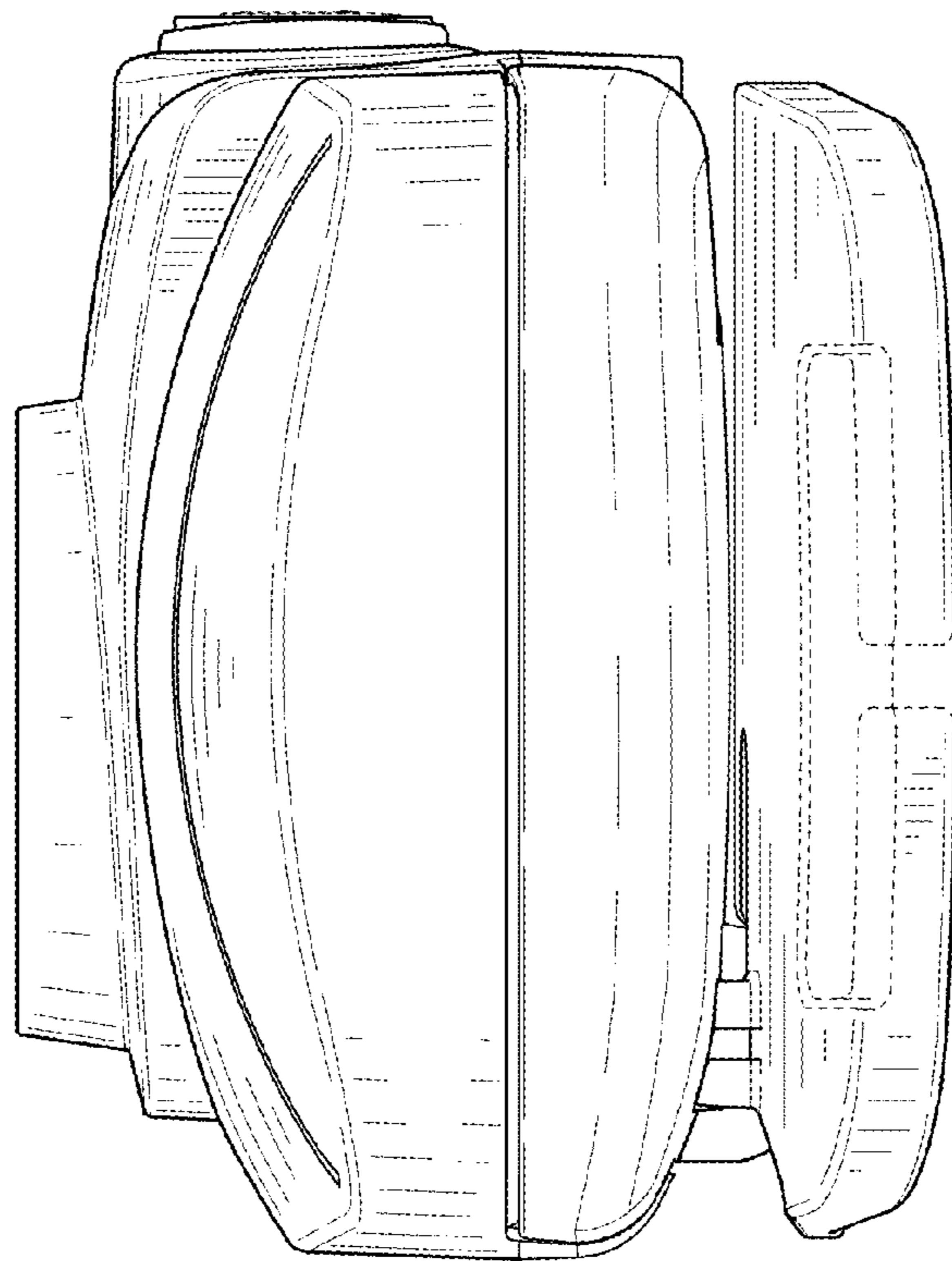


Fig. 6

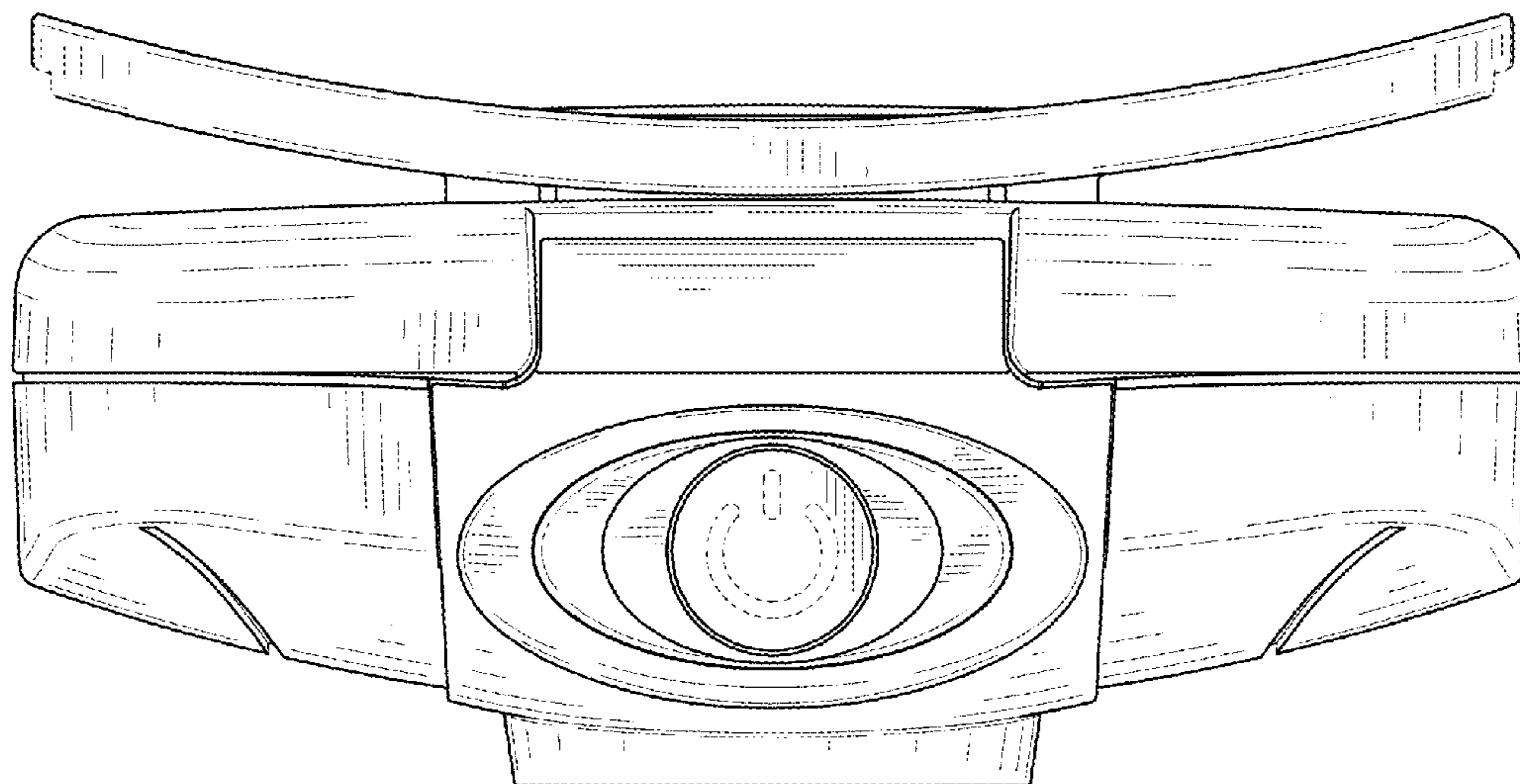


Fig. 7

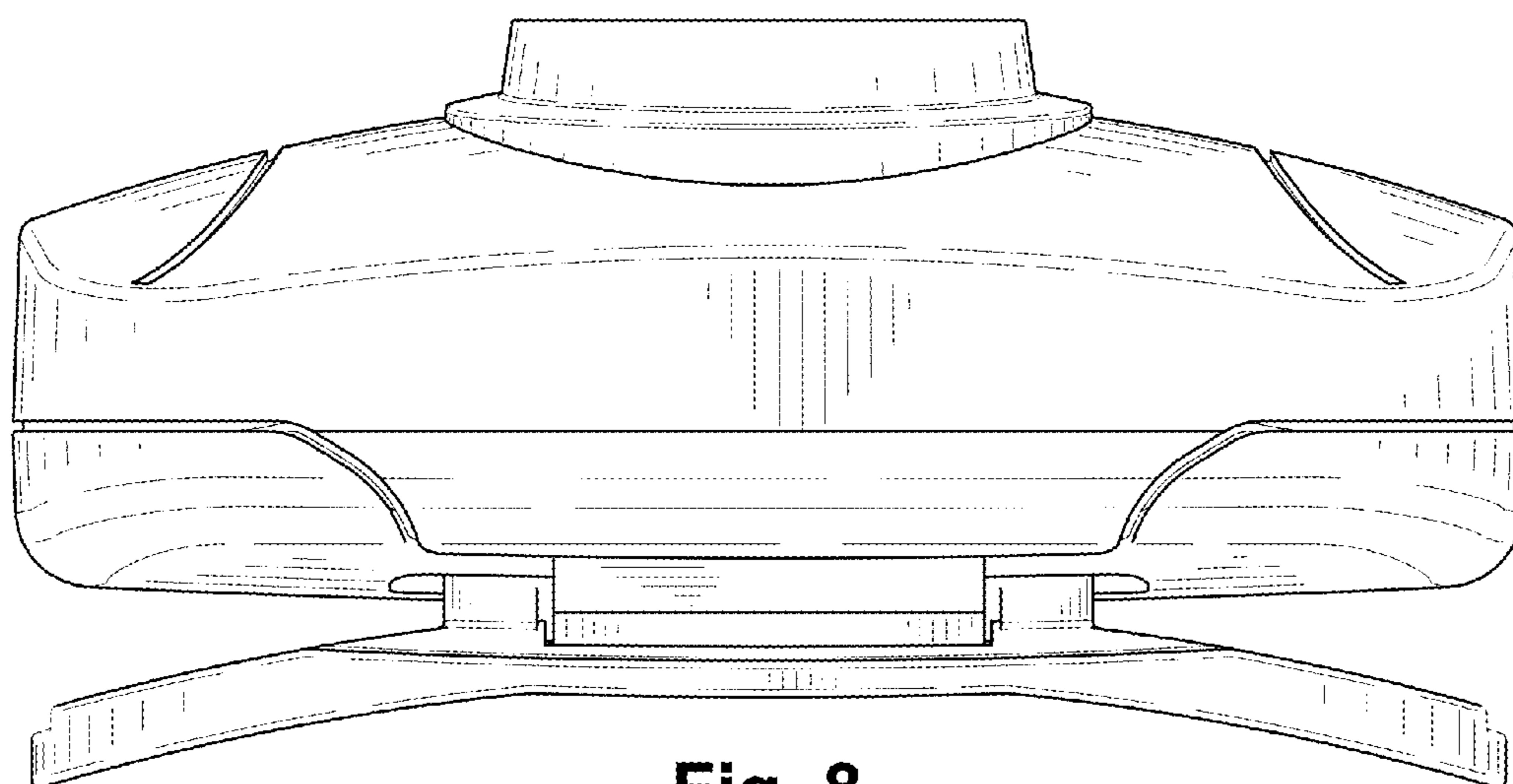


Fig. 8