



US00D752260S

(12) **United States Design Patent**  
**Hine et al.**

(10) **Patent No.:** **US D752,260 S**  
(45) **Date of Patent:** **\*\* Mar. 22, 2016**

(54) **LIGHTING DEVICE**

(71) Applicant: **Energizer Brands, LLC**, St. Louis, MO (US)

(72) Inventors: **David J. Hine**, Skaneateles, NY (US);  
**Scott W. Osiecki**, Skaneateles, NY (US);  
**Matthew R. Gortner**, Manilius, NY (US);  
**Donwoong Kang**, Camillus, NY (US)

(73) Assignee: **Energizer Brands, LLC**, St. Louis, MO (US)

(\*\*) Term: **14 Years**

(21) Appl. No.: **29/499,186**

(22) Filed: **Aug. 12, 2014**

(51) **LOC (10) Cl.** ..... **26-02**

(52) **U.S. Cl.**  
USPC ..... **D26/39**

(58) **Field of Classification Search**  
USPC ..... D26/37, 38, 39, 46, 51; 362/103–108,  
362/157, 158, 184, 186, 194–196, 200–208,  
362/253  
CPC ..... F21V 33/00; F21V 14/025; F21V 21/406;  
F21Y 2101/02; F21L 17/00; F21L 13/08;  
F21L 2001/00; F21L 14/02  
See application file for complete search history.

(56) **References Cited**

U.S. PATENT DOCUMENTS

D426,330 S *	6/2000	Cramer	.....	D26/38
D470,615 S	2/2003	Janice et al.		
D472,998 S	4/2003	Paris et al.		
D492,052 S *	6/2004	Schnell	.....	D26/39
D506,846 S	6/2005	Kang et al.		
D547,475 S	7/2007	Xu		
D552,278 S	10/2007	Spartano et al.		
D560,009 S	1/2008	Spartano et al.		
D560,298 S	1/2008	Spartano et al.		
D566,310 S	4/2008	Alessio		
D568,510 S	5/2008	Shiu		
D573,736 S	7/2008	Poon		

D575,888 S	8/2008	Shiu		
D581,567 S	11/2008	Crawford et al.		
D583,971 S	12/2008	Castellucci et al.		
D592,782 S	5/2009	Hine et al.		
D596,770 S	7/2009	Hine et al.		
D620,160 S	7/2010	Kang et al.		
D625,862 S *	10/2010	Fitch	.....	D26/39
D625,863 S	10/2010	Kingston et al.		
7,922,349 B2 *	4/2011	Hunnewell	.....	A45C 15/06 362/103
D648,468 S *	11/2011	Gibson	.....	D26/49
D651,732 S *	1/2012	Hopkins	.....	D26/39
D658,323 S *	4/2012	Freschl	.....	D26/39
8,517,559 B1 *	8/2013	Freschl	.....	F21L 13/06 362/105
D696,803 S *	12/2013	Kingston	.....	D26/39
D736,977 S *	8/2015	Petzl	.....	D26/39
D736,978 S *	8/2015	Petzl	.....	D26/39
D736,979 S *	8/2015	Petzl	.....	D26/39
D736,980 S *	8/2015	Petzl	.....	D26/39
2008/0205036 A1	8/2008	Tarter et al.		

\* cited by examiner

*Primary Examiner* — Ian Simmons

*Assistant Examiner* — Carissa C Fitts

(74) *Attorney, Agent, or Firm* — McDonald Hopkins LLC

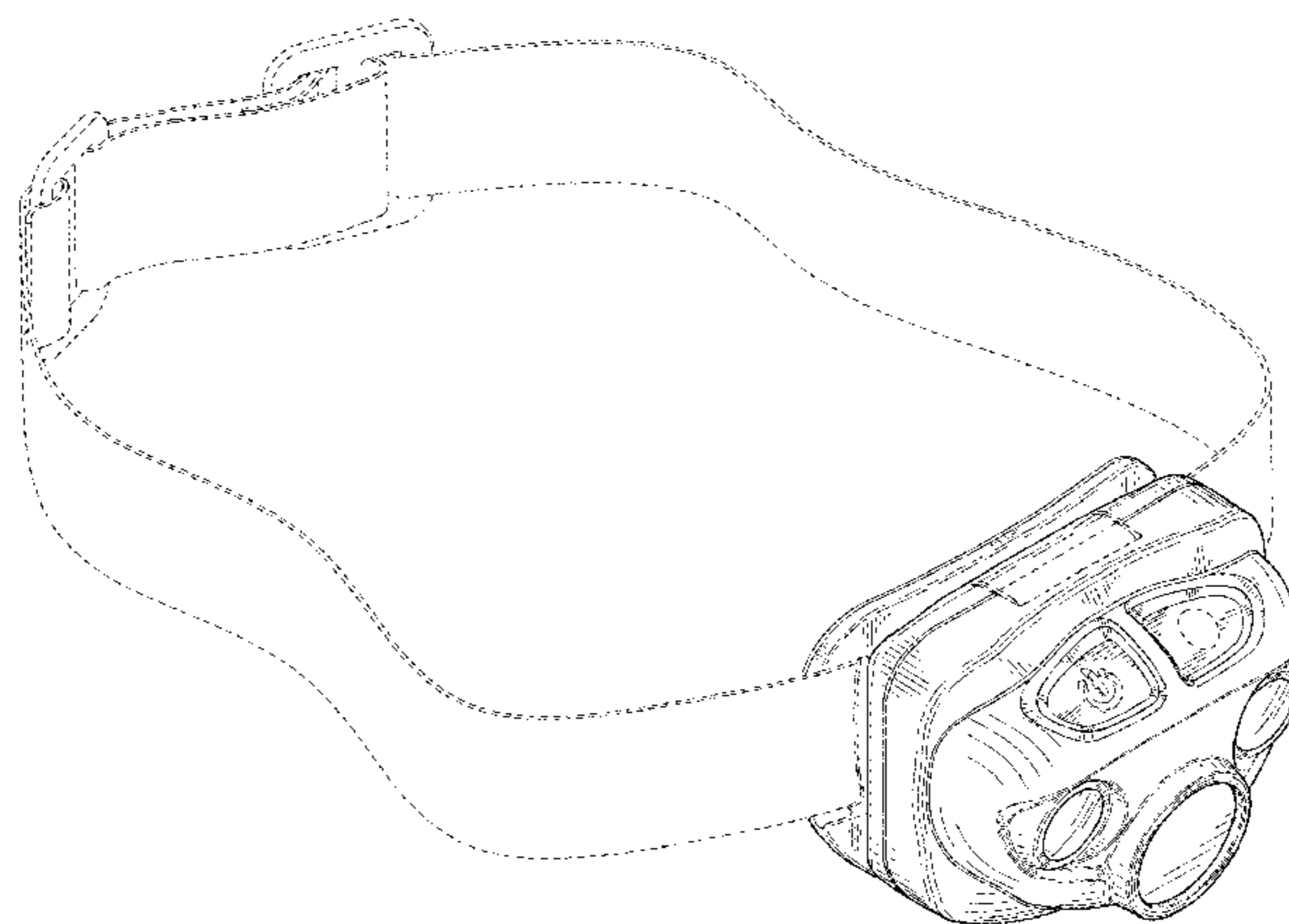
(57) **CLAIM**

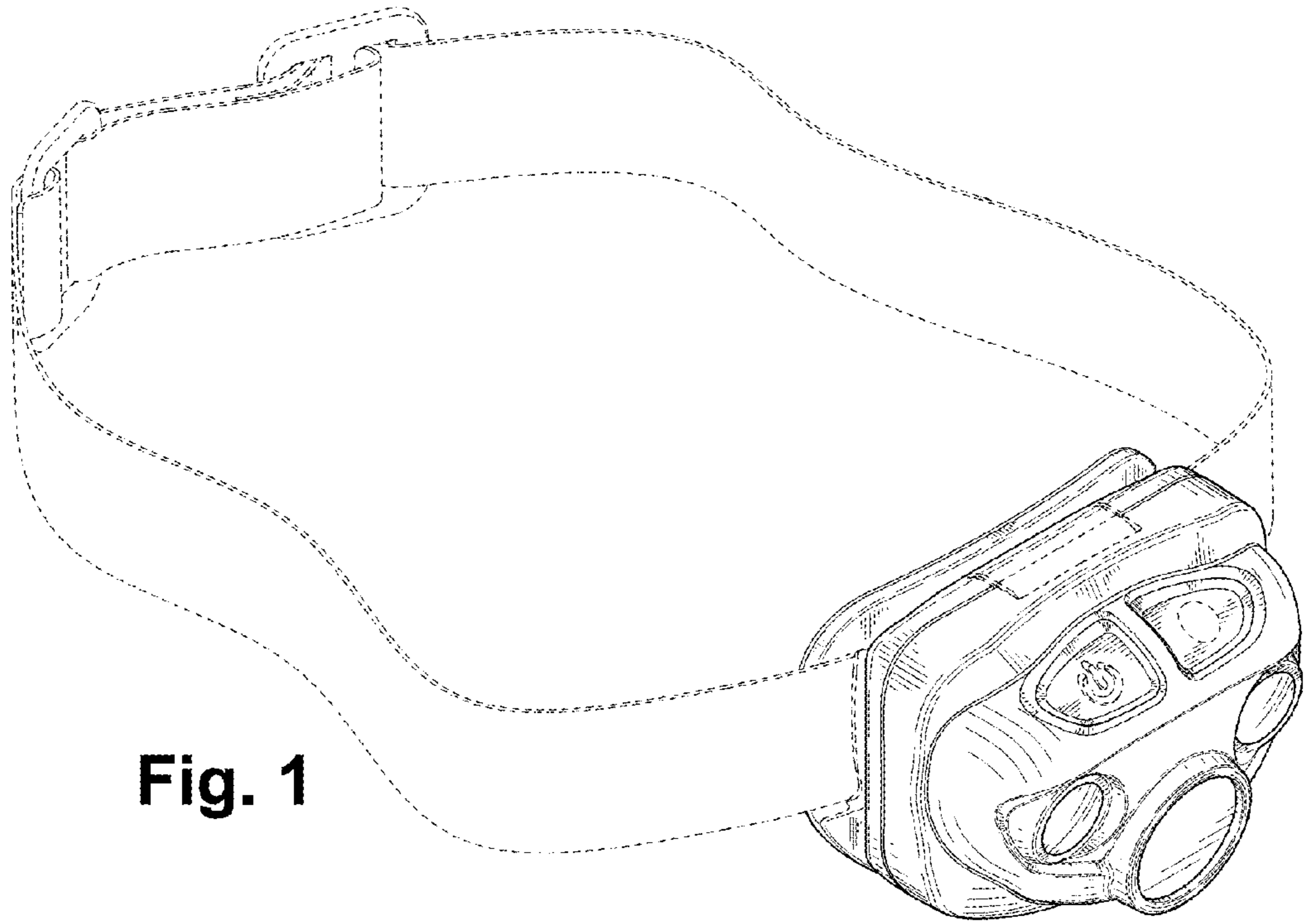
We claim the ornamental design for a lighting device, as shown and described.

**DESCRIPTION**

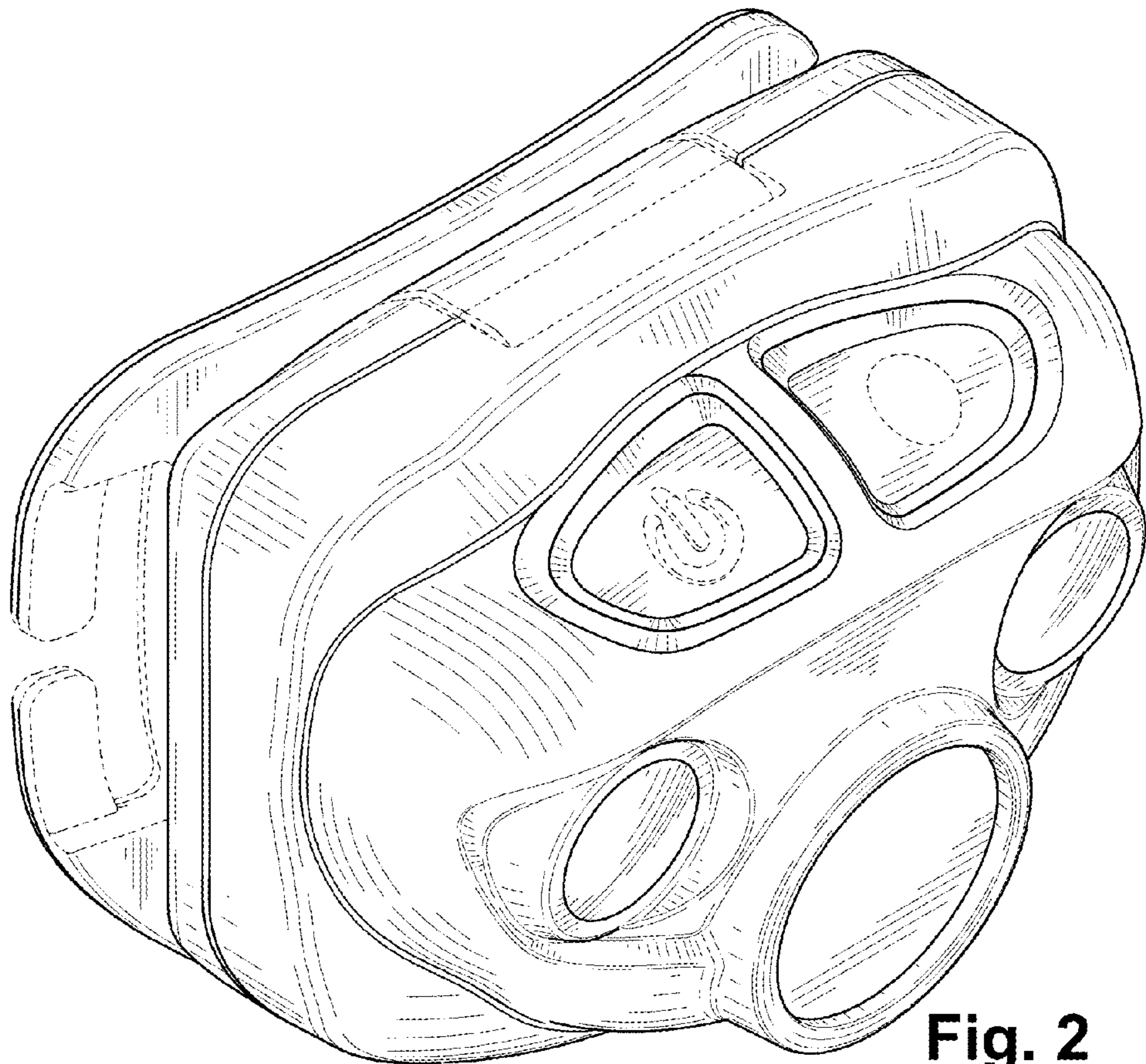
FIG. 1 is a front perspective view of the design with the headstrap attached;  
FIG. 2 is a front perspective view of the design;  
FIG. 3 is a rear perspective view of the design;  
FIG. 4 is a right side view of the design, the left side view of the design is a mirror image of the right side view;  
FIG. 5 is a front view of the design;  
FIG. 6 is a back view of the design;  
FIG. 7 is a top view of the design; and,  
FIG. 8 is a bottom view of the design.  
Any broken lines shown are for illustrative purposes only and form no part of the claimed design.

**1 Claim, 4 Drawing Sheets**

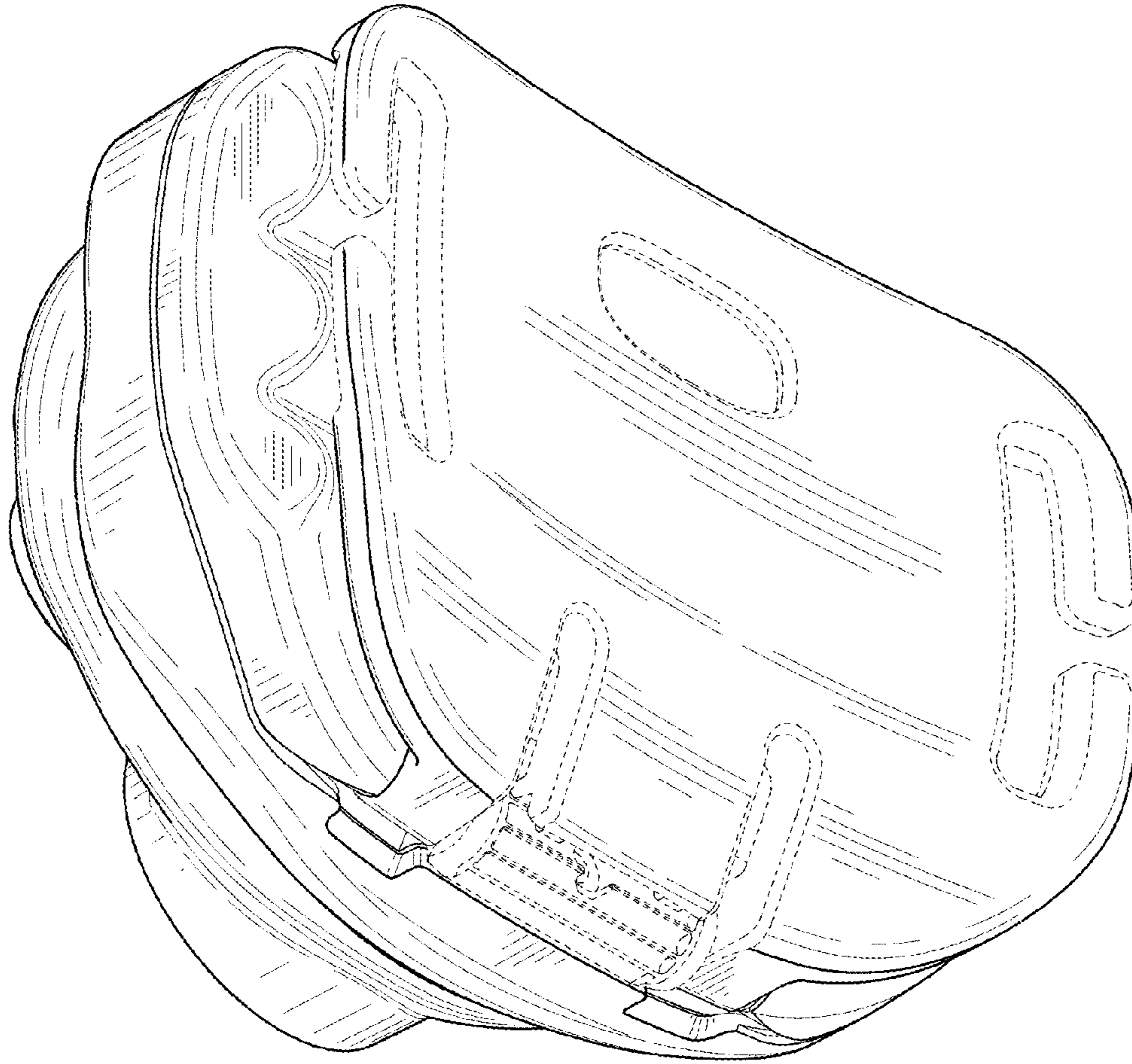




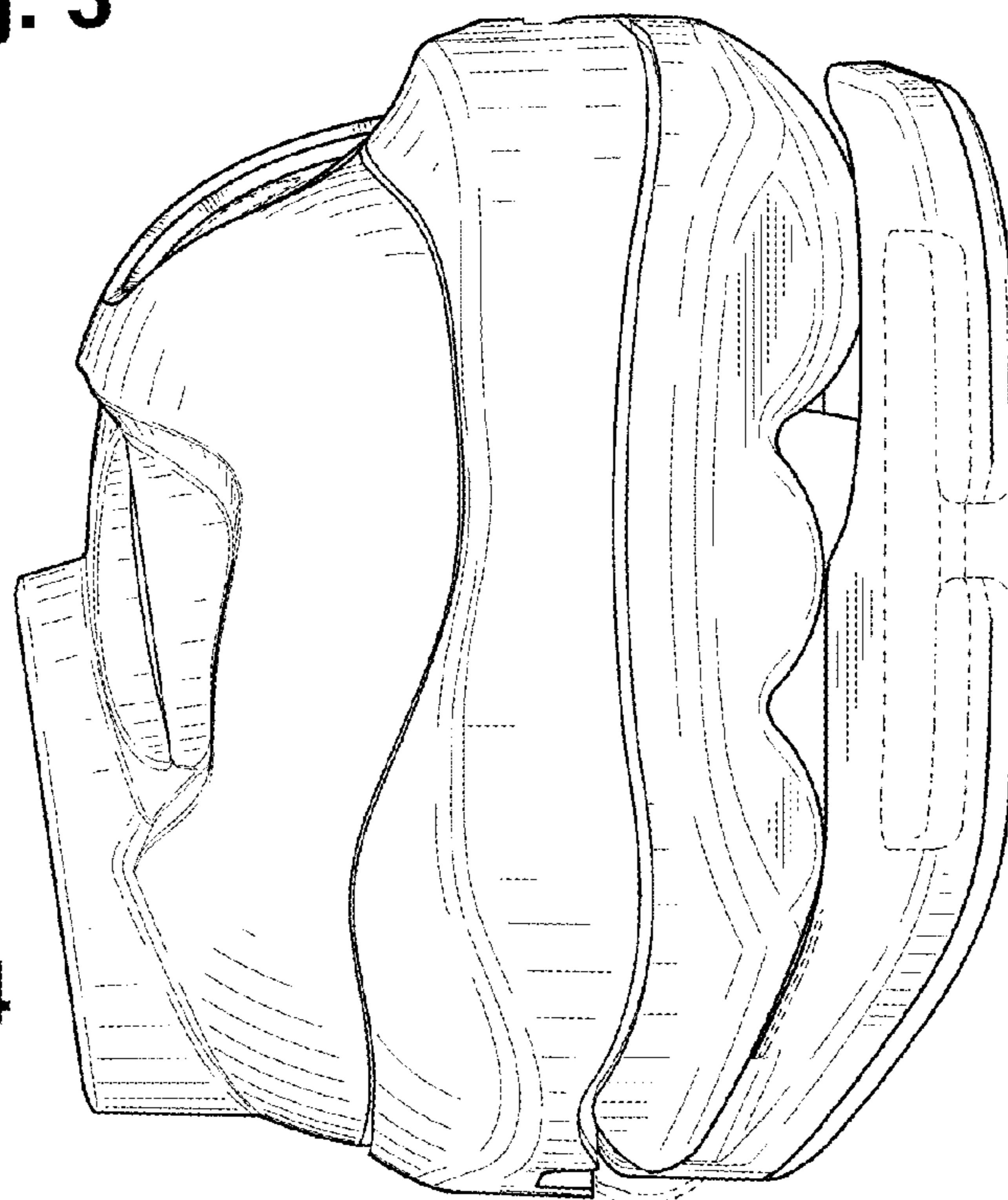
**Fig. 1**



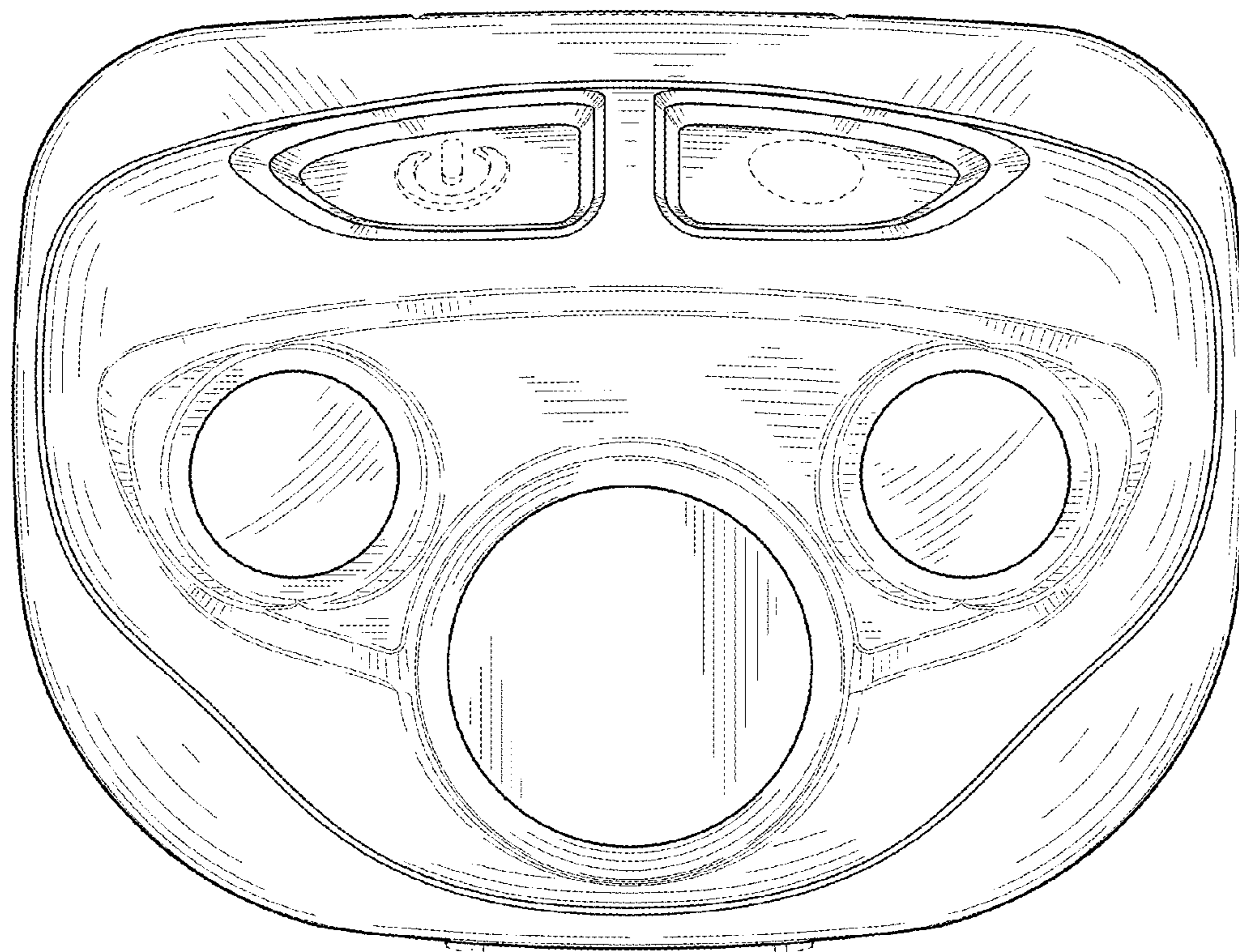
**Fig. 2**



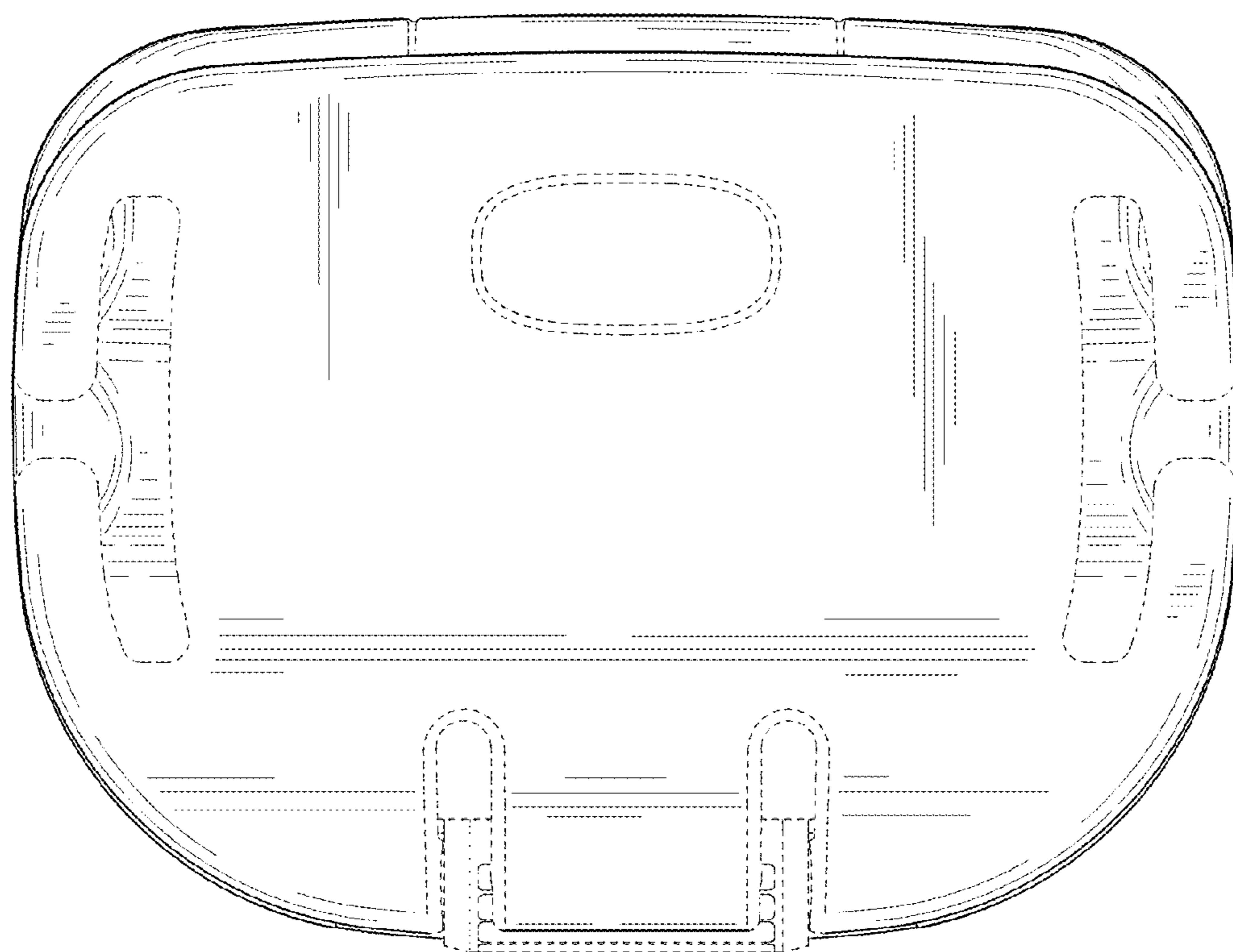
**Fig. 3**



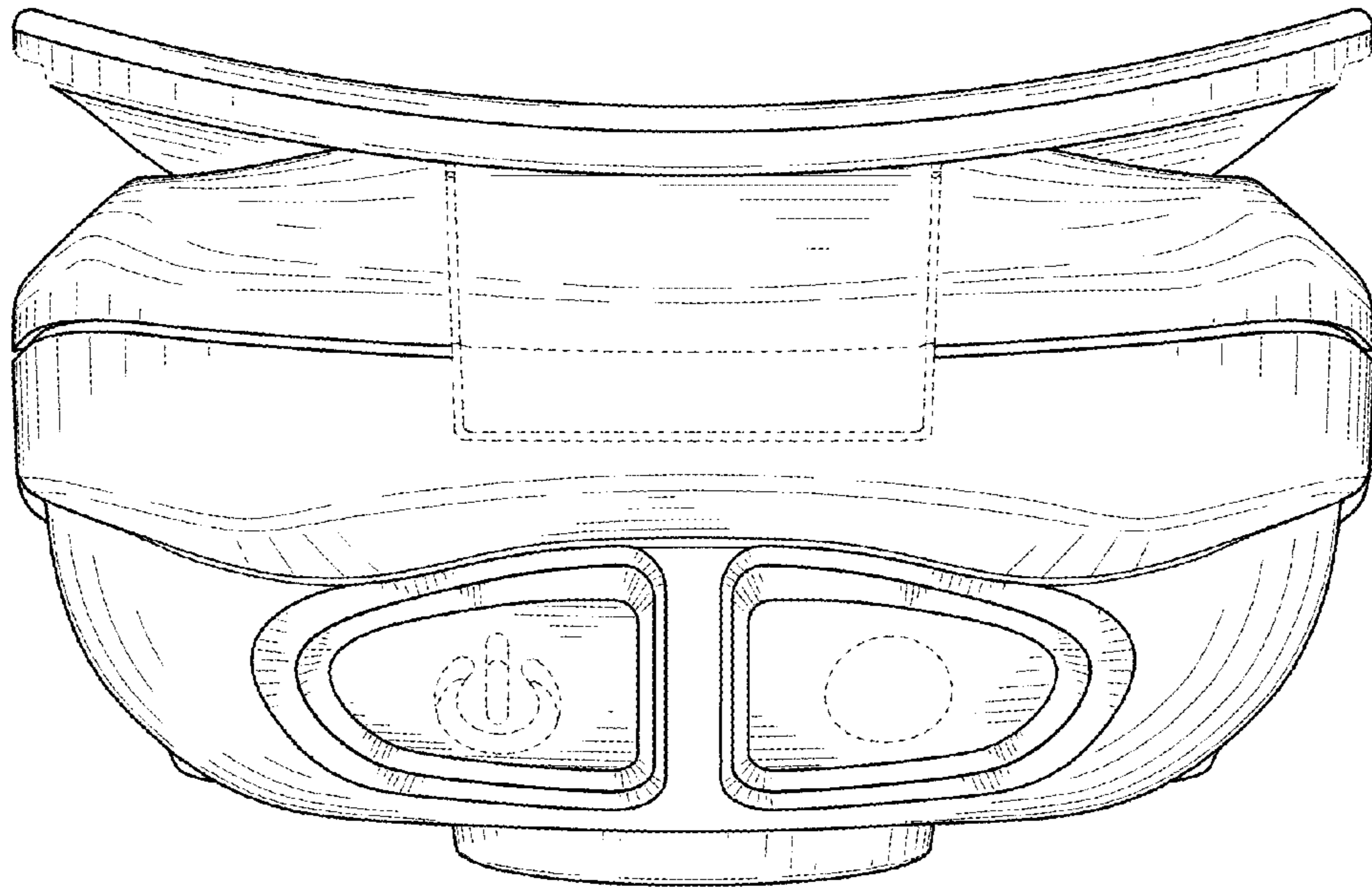
**Fig. 4**



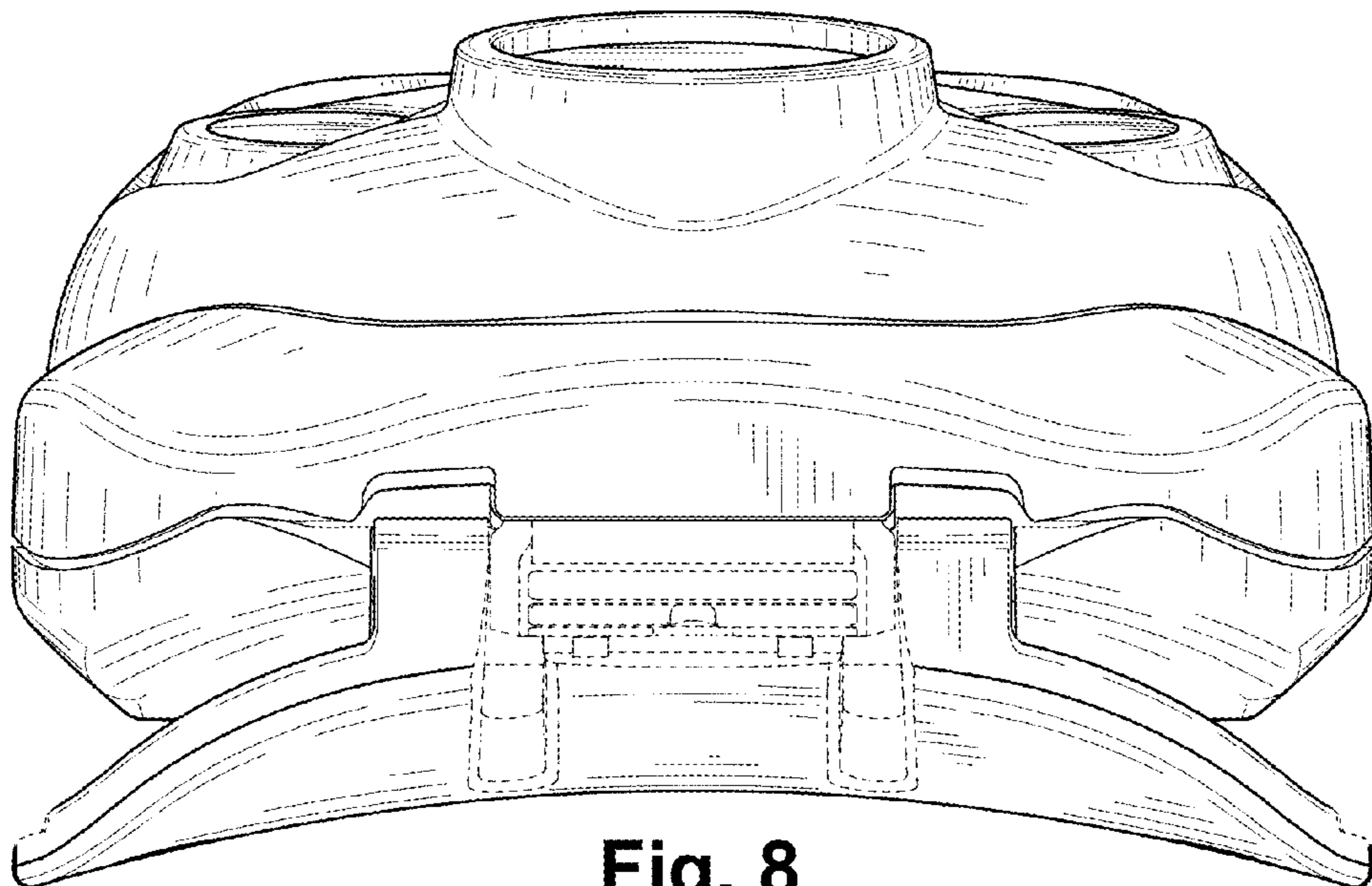
**Fig. 5**



**Fig. 6**



**Fig. 7**



**Fig. 8**