



US00D752257S

(12) **United States Design Patent**  
**Hine et al.**

(10) **Patent No.:** **US D752,257 S**  
(45) **Date of Patent:** **\*\* Mar. 22, 2016**

(54) **LIGHTING DEVICE**

(71) Applicant: **Energizer Brands, LLC**

(72) Inventors: **David J. Hine**, Skaneateles, NY (US);  
**Scott W. Osiecki**, Skaneateles, NY (US);  
**Matthew R. Gortner**, Manilius, NY  
(US); **Donwoong Kang**, Camillus, NY  
(US)

(73) Assignee: **Energizer Brands, LLC**, St. Louis, MO  
(US)

(\*\*) Term: **14 Years**

(21) Appl. No.: **29/499,183**

(22) Filed: **Aug. 12, 2014**

(51) **LOC (10) Cl.** ..... **26-02**

(52) **U.S. Cl.**  
USPC ..... **D26/39**

(58) **Field of Classification Search**  
USPC ..... D26/37, 38, 39, 46, 51; 362/103–108,  
362/157, 158, 184, 186, 194–196, 200–208,  
362/253  
CPC ..... F21V 33/00; F21V 14/025; F21V 21/406;  
F21Y 2101/02; F21L 17/00; F21L 13/08;  
F21L 2001/00; F21L 14/02  
See application file for complete search history.

(56) **References Cited**

**U.S. PATENT DOCUMENTS**

D426,330 S *	6/2000	Cramer	.....	D26/38
D470,615 S	2/2003	Janice et al.		
D472,998 S	4/2003	Paris et al.		
D492,052 S *	6/2004	Schnell	.....	D26/39
D506,846 S	6/2005	Kang et al.		
D547,475 S	7/2007	Xu		
D552,278 S	10/2007	Spartano et al.		
D560,009 S	1/2008	Spartano et al.		
D560,298 S	1/2008	Spartano et al.		
D566,310 S	4/2008	Alessio		

D568,510 S	5/2008	Shiu		
D573,736 S	7/2008	Poon		
D575,888 S	8/2008	Shiu		
D581,567 S	11/2008	Crawford et al.		
D583,971 S	12/2008	Castellucci et al.		
D592,782 S	5/2009	Hine et al.		
D596,770 S	7/2009	Hine et al.		
D620,160 S	7/2010	Kang et al.		
D625,862 S *	10/2010	Fitch	.....	D26/39
D625,863 S	10/2010	Kingston et al.		
7,922,349 B2 *	4/2011	Hunnewell	.....	A45C 15/06 362/103
D648,468 S *	11/2011	Gibson	.....	D26/49
D651,732 S *	1/2012	Hopkins	.....	D26/39

(Continued)

*Primary Examiner* — Ian Simmons

*Assistant Examiner* — Carissa C Fitts

(74) *Attorney, Agent, or Firm* — McDonald Hopkins LLC

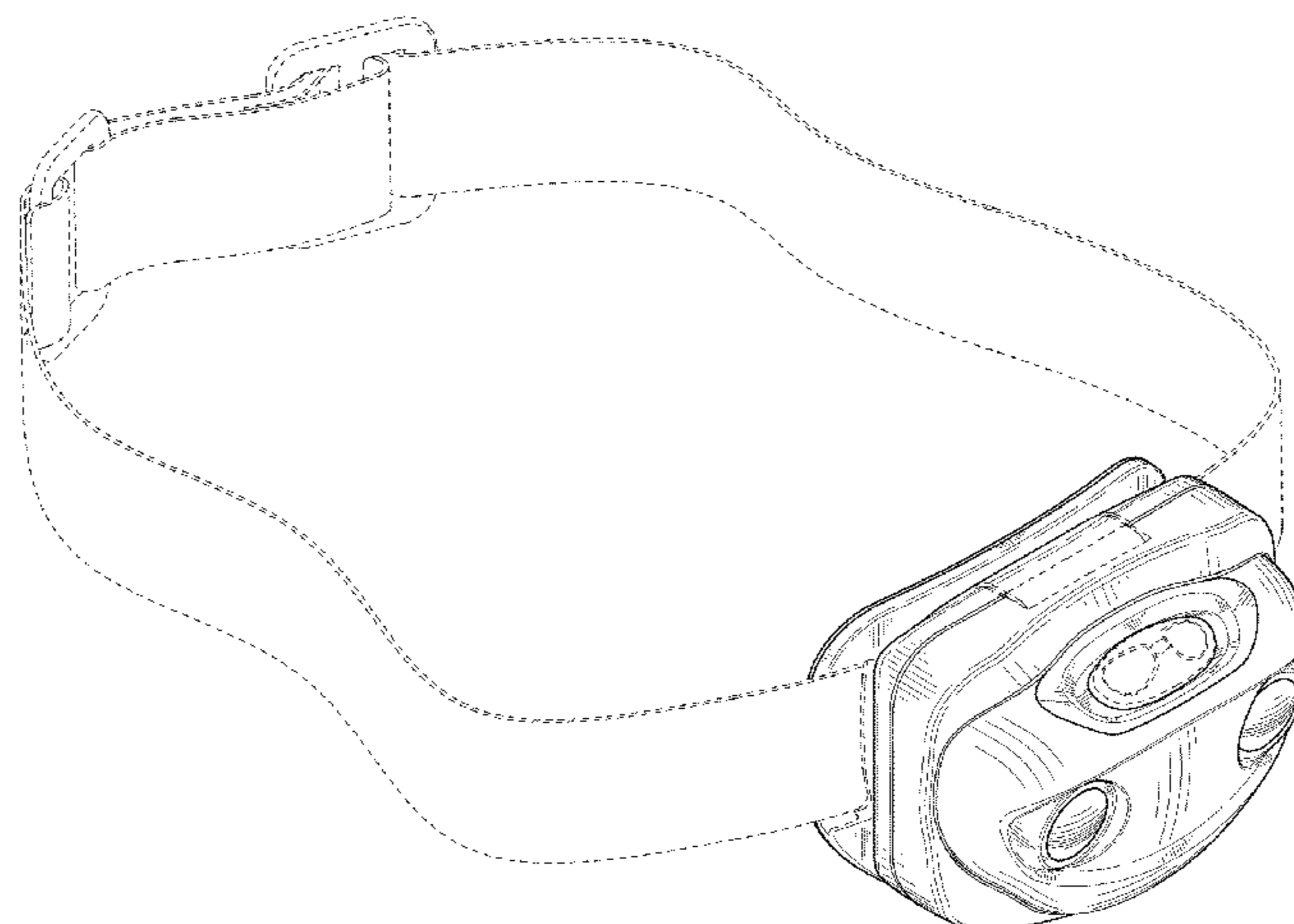
(57) **CLAIM**

We claim the ornamental design for a lighting device, as shown and described.

**DESCRIPTION**

FIG. 1 is a front perspective view of the design with the headstrap attached;  
FIG. 2 is a front perspective view of the design;  
FIG. 3 is a rear perspective view of the design;  
FIG. 4 is a right side view of the design, the left side view of the design is a mirror image of the right side view;  
FIG. 5 is a front view of the design;  
FIG. 6 is a back view of the design;  
FIG. 7 is a top view of the design; and,  
FIG. 8 is a bottom view of the design.  
The broken lines immediately adjacent to the shaded areas represent the boundaries of the claimed design. None of the broken lines form part of the claimed design. The broken line showing of the strap detail in FIG. 1 represents environment. The broken line showing represents portions of the article not claimed and forms no part of the claimed design.

**1 Claim, 4 Drawing Sheets**



(56)

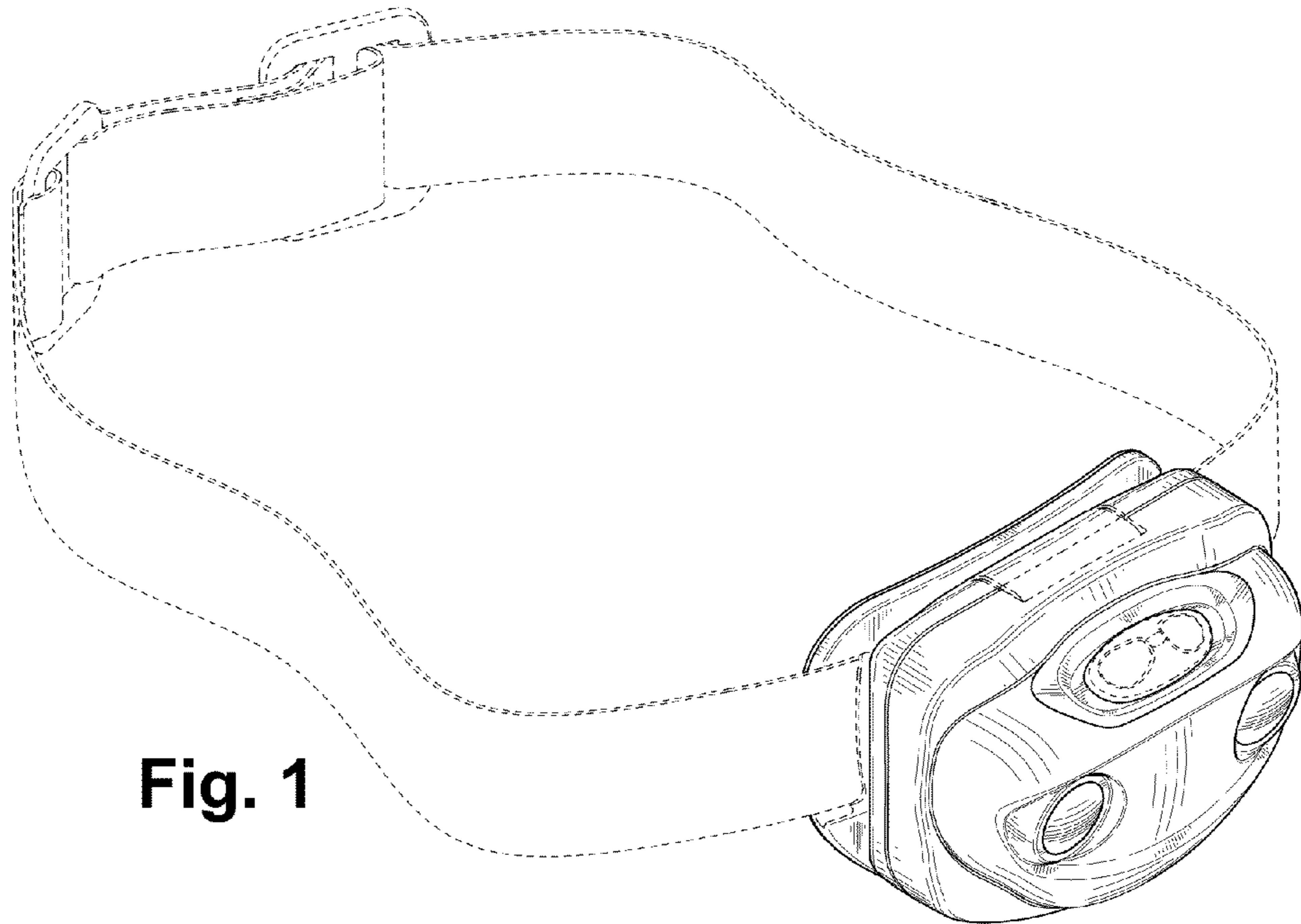
**References Cited**

U.S. PATENT DOCUMENTS

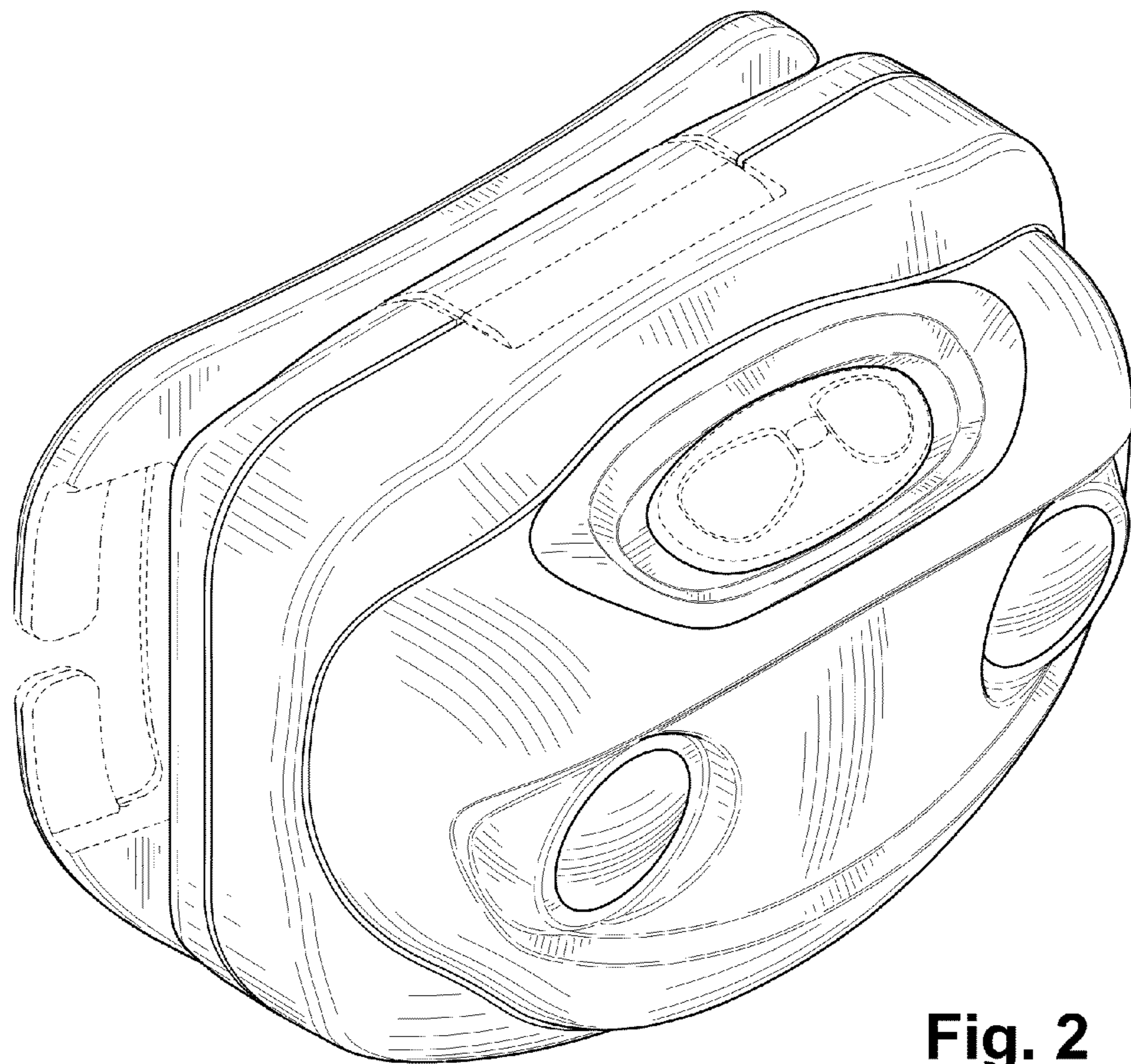
D658,323 S \* 4/2012 Freschl ..... D26/39  
8,517,559 B1 \* 8/2013 Freschl ..... F21L 13/06  
362/105  
D696,803 S \* 12/2013 Kingston ..... D26/39

D736,977 S \* 8/2015 Petzl ..... D26/39  
D736,978 S \* 8/2015 Petzl ..... D26/39  
D736,979 S \* 8/2015 Petzl ..... D26/39  
D736,980 S \* 8/2015 Petzl ..... D26/39  
2008/0205036 A1 8/2008 Tarter et al.

\* cited by examiner

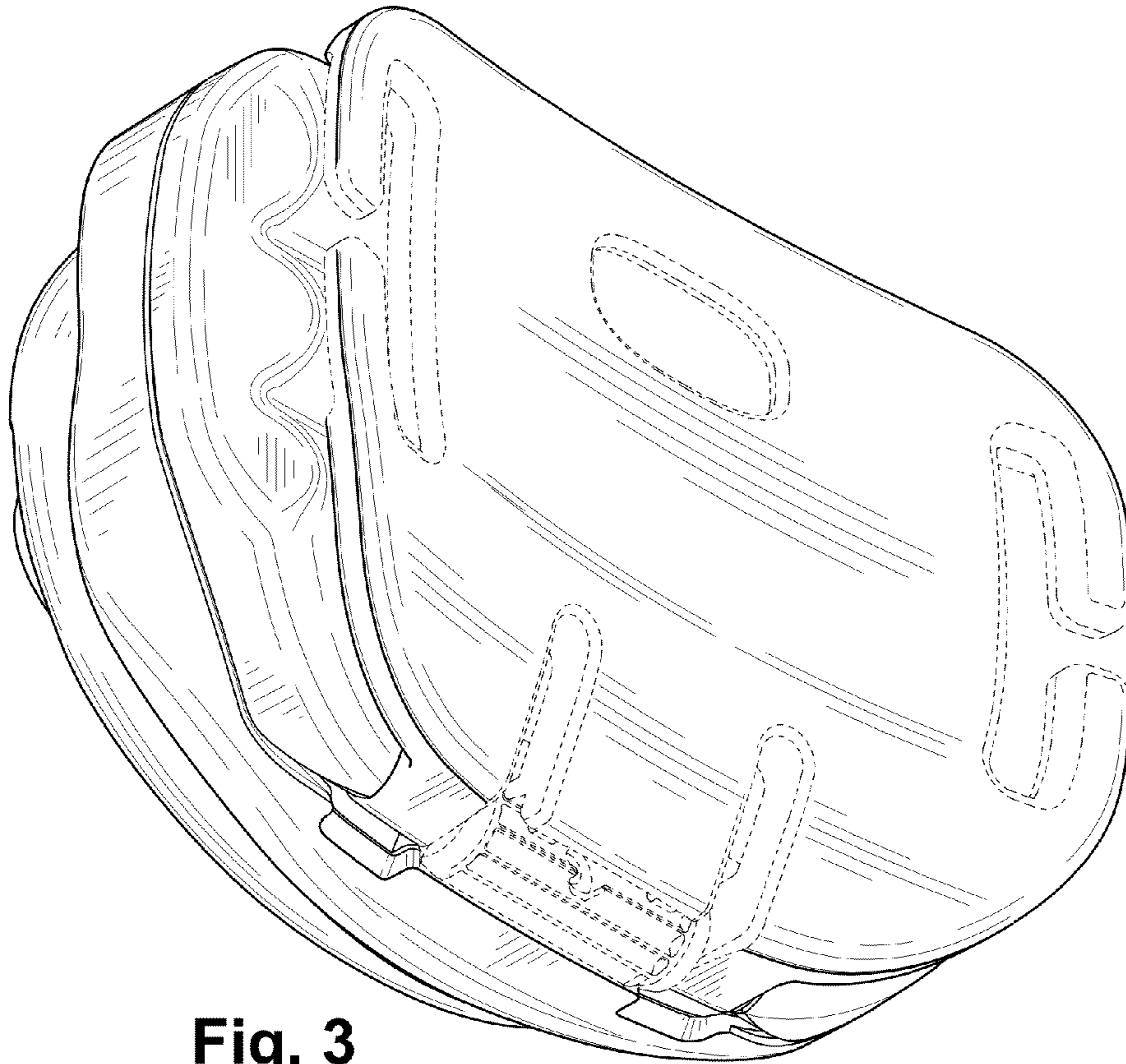


**Fig. 1**



**Fig. 2**

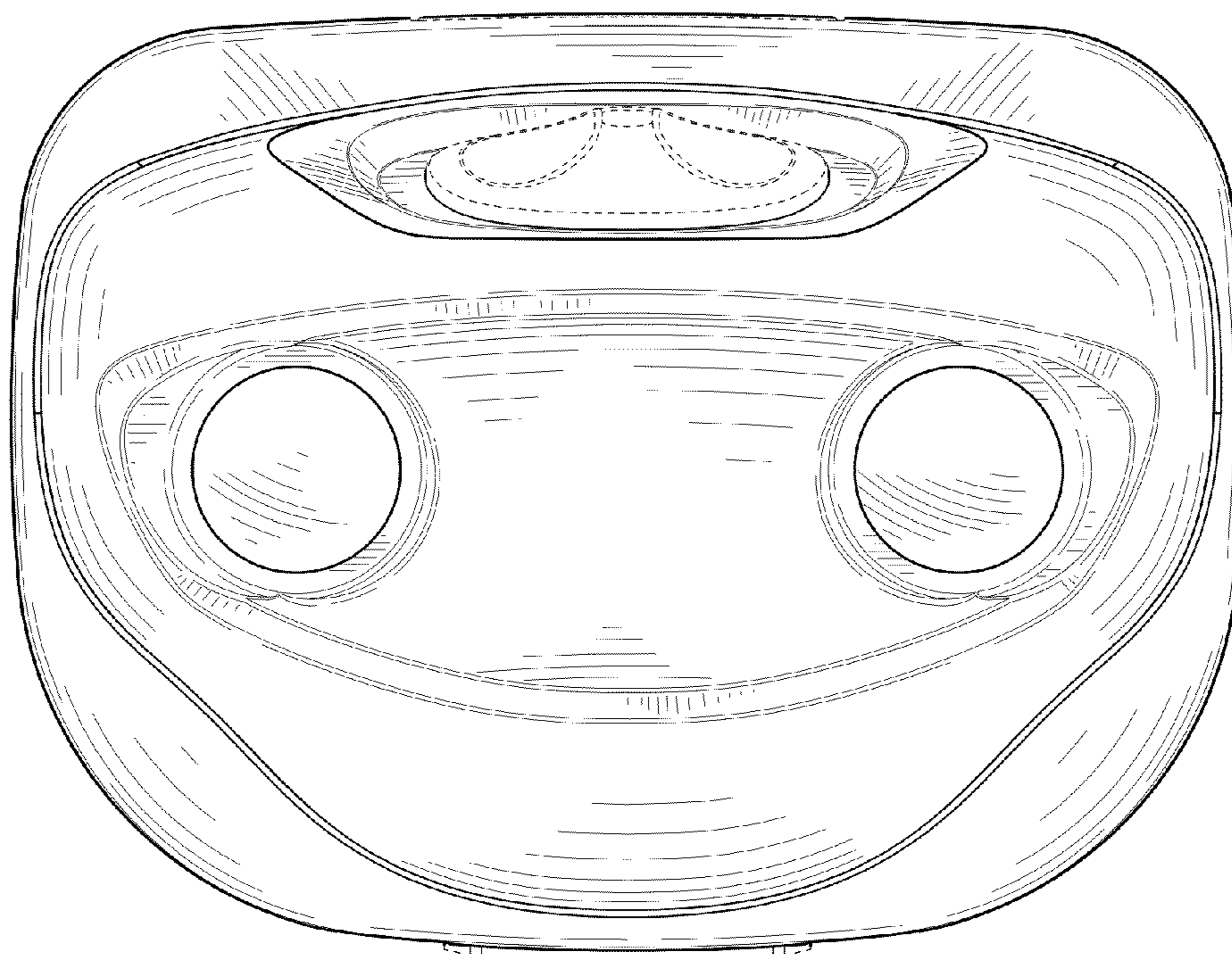




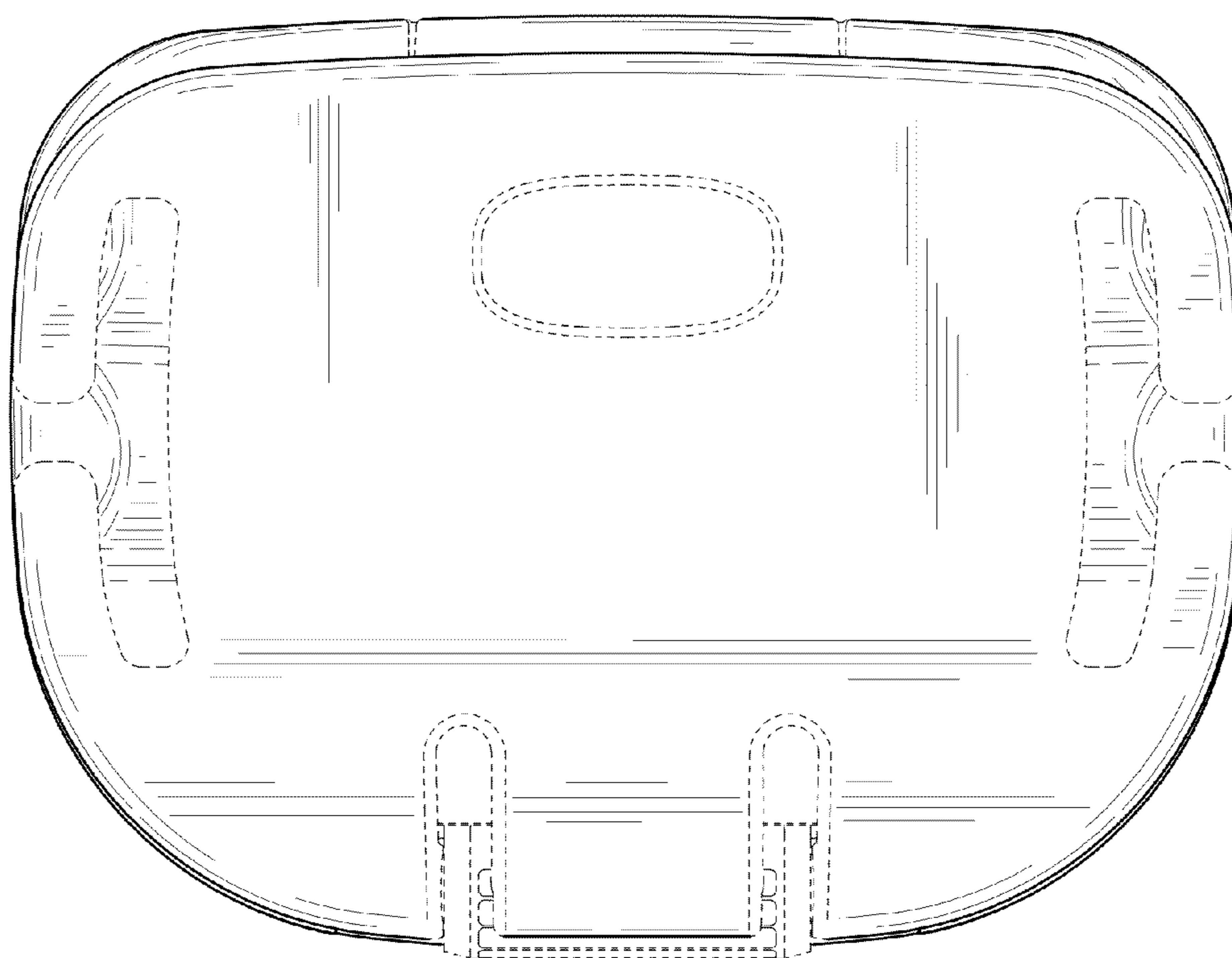
**Fig. 3**



**Fig. 4**



**Fig. 5**



**Fig. 6**

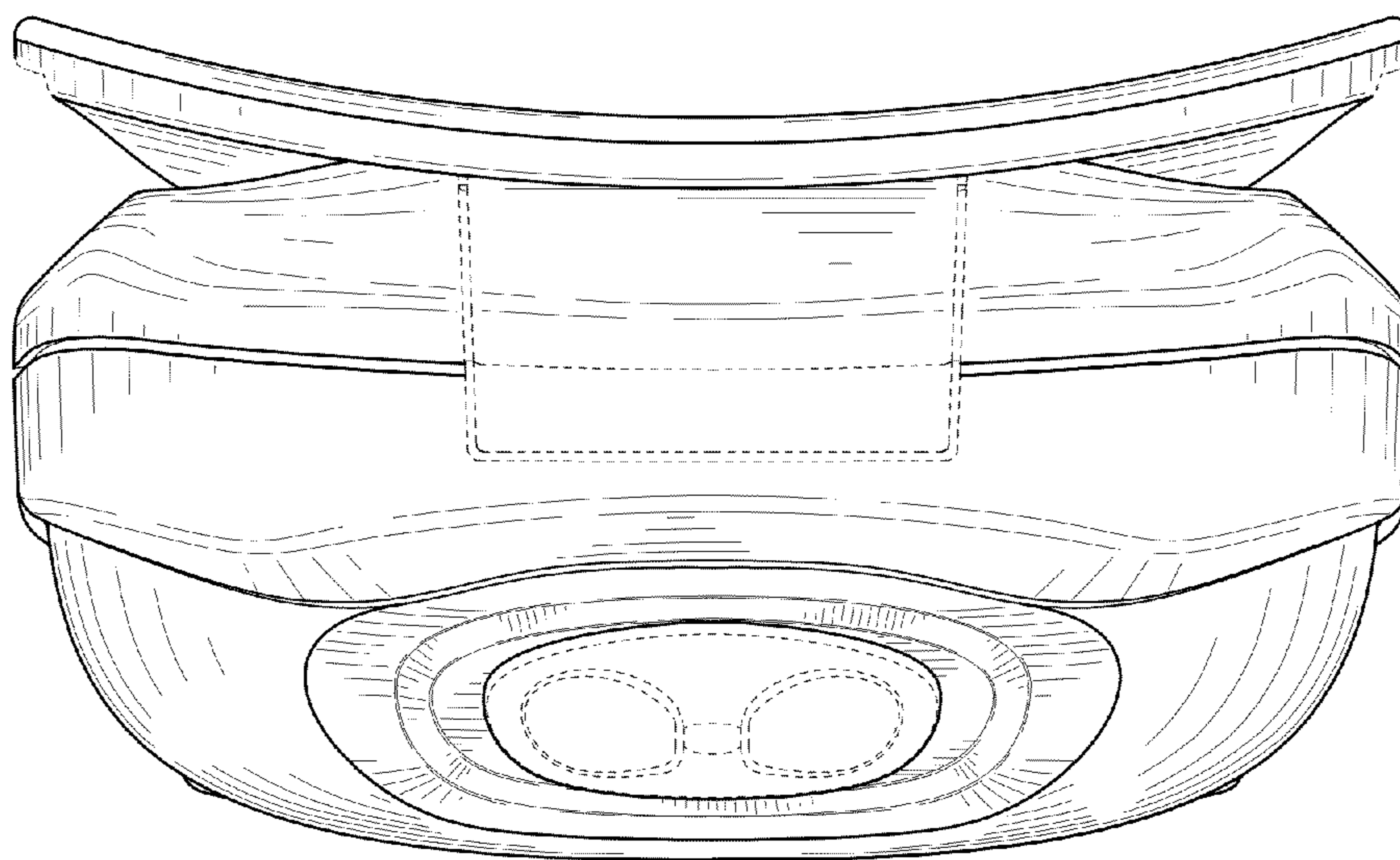


Fig. 7

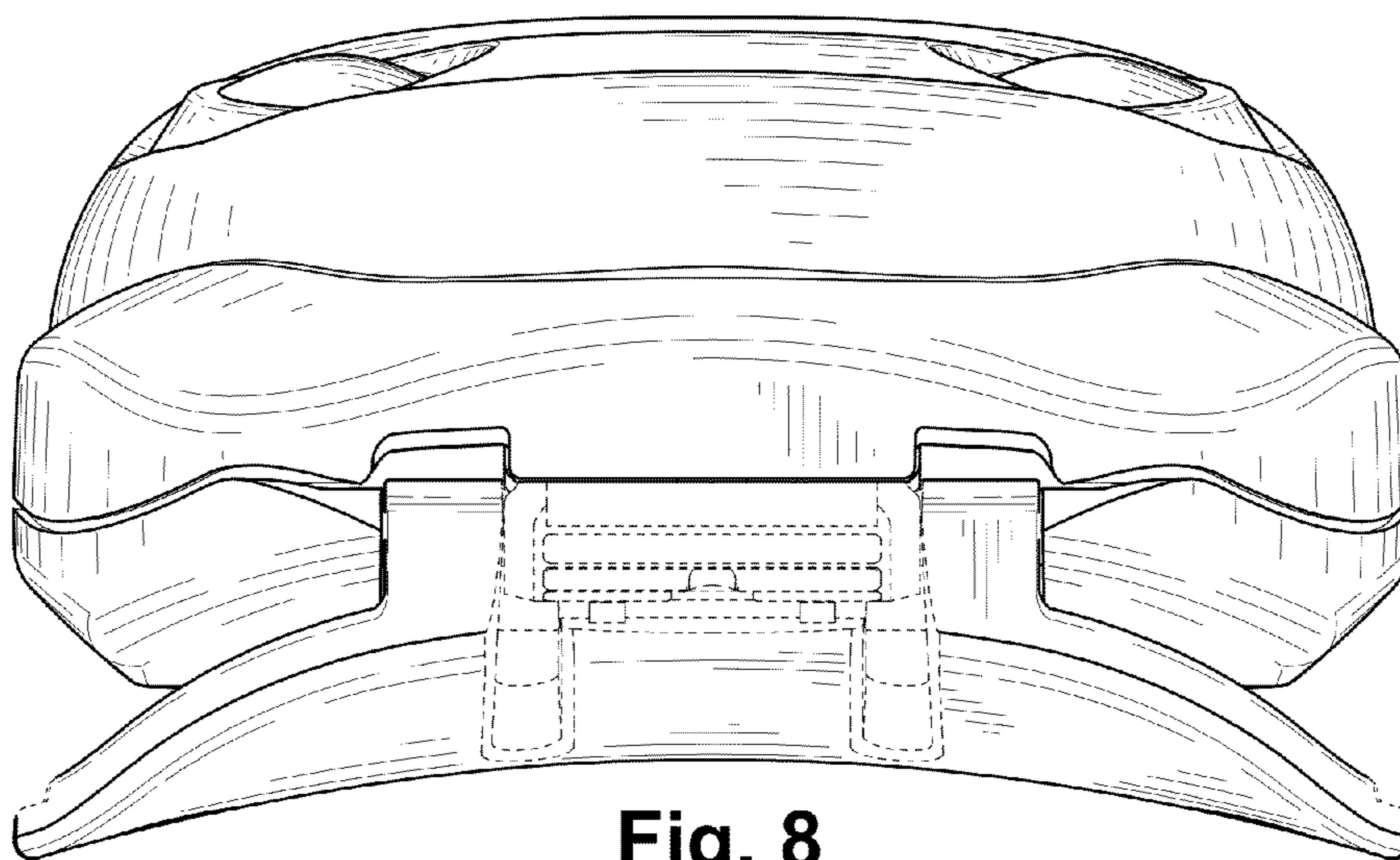


Fig. 8