



US00D752255S

(12) **United States Design Patent**
Futschik et al.

(10) **Patent No.:** **US D752,255 S**
(45) **Date of Patent:** **** Mar. 22, 2016**

(54) **HEADLIGHT FOR A VEHICLE**
(71) Applicant: **Daimler AG**, Stuttgart (DE)
(72) Inventors: **Hans-Dieter Futschik**, Gechingen (DE);
Stefan Handt, Stuttgart (DE); **Gorden**
Wagener, Gaeufelden (DE)
(73) Assignee: **Daimler AG**, Stuttgart (DE)
(**) Term: **14 Years**
(21) Appl. No.: **29/507,834**
(22) Filed: **Oct. 31, 2014**

D708,366 S * 7/2014 Minamisawa D26/28
D709,213 S * 7/2014 Futschik D26/28
D717,974 S * 11/2014 Futschik D26/28
D719,692 S * 12/2014 Yamaguchi D26/28
D720,870 S * 1/2015 Lim D26/28
D728,133 S * 4/2015 Bieling D26/28
D730,551 S * 5/2015 George D26/28

* cited by examiner

Primary Examiner — Marcus Jackson

(74) *Attorney, Agent, or Firm* — Crowell & Moring LLP

(57) **CLAIM**

The ornamental design for a headlight for a vehicle, as shown and described.

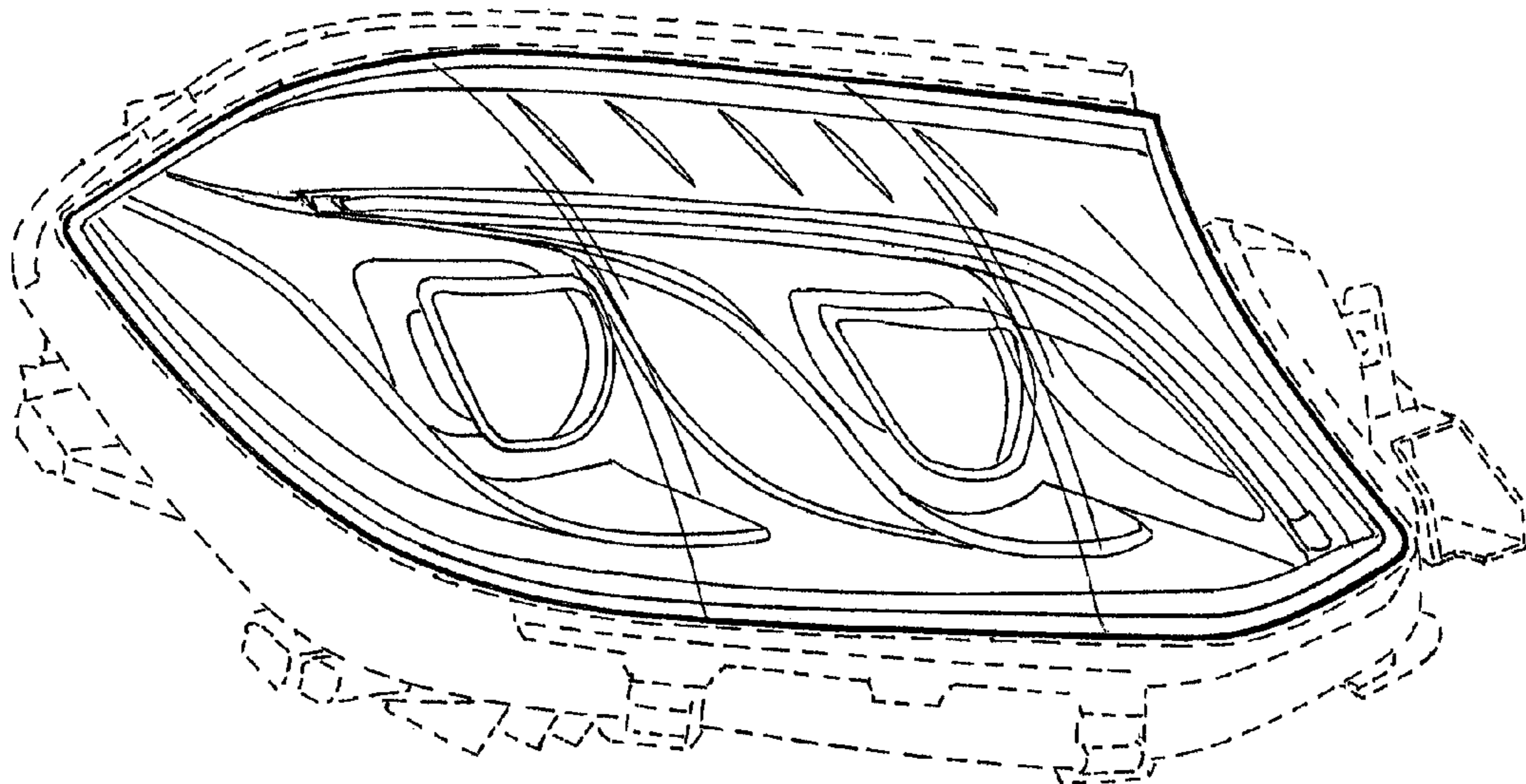
DESCRIPTION

(30) **Foreign Application Priority Data**
May 1, 2014 (WO) DM/083 535
(51) **LOC (10) Cl.** **26-06**
(52) **U.S. Cl.**
USPC **D26/28**
(58) **Field of Classification Search**
USPC D26/28–36; 362/459–468, 475–478,
362/485–487
See application file for complete search history.

Application Ser. No. 29/507,829, filed herewith and entitled “VEHICLE, TOY, AND/OR REPLICAS THEREOF”;
Application Ser. No. 29/507,830, filed herewith and entitled “FRONT PORTION OF A VEHICLE, TOY, AND/OR REPLICAS THEREOF”; and
Application Ser. No. 29/507,833, filed herewith and entitled “HEADLIGHT FOR A VEHICLE”.
FIG. 1 is a left perspective view of a first embodiment of a headlight for a vehicle according to the design;
FIG. 2 is a front view thereof; and
FIG. 3 is a left side view thereof.
FIG. 4 is a right perspective view of a headlight for a vehicle showing our new design, with the headlight for a vehicle for the opposite side of the vehicle being depicted in the first embodiment thereof;
FIG. 5 is a front view thereof; and
FIG. 6 is a right side view thereof.
The broken lines are for illustrative purposes only and form no part of the claimed design. Also enclosed is a set of photographs of an embodiment of the design.

(56) **References Cited**
U.S. PATENT DOCUMENTS
D508,136 S * 8/2005 Pfeiffer D26/28
D518,581 S * 4/2006 Osawa D26/28
D528,231 S * 9/2006 Ikeda D26/28
D535,439 S * 1/2007 Zall D28/63
D536,113 S * 1/2007 Pfeiffer D26/28
D544,614 S * 6/2007 Markefka D26/28
D557,832 S * 12/2007 Higashikawa D26/28
D660,481 S * 5/2012 Gotschke D26/28
D672,067 S * 12/2012 Frenzel D26/28
D674,522 S 1/2013 Bieling et al.

1 Claim, 4 Drawing Sheets



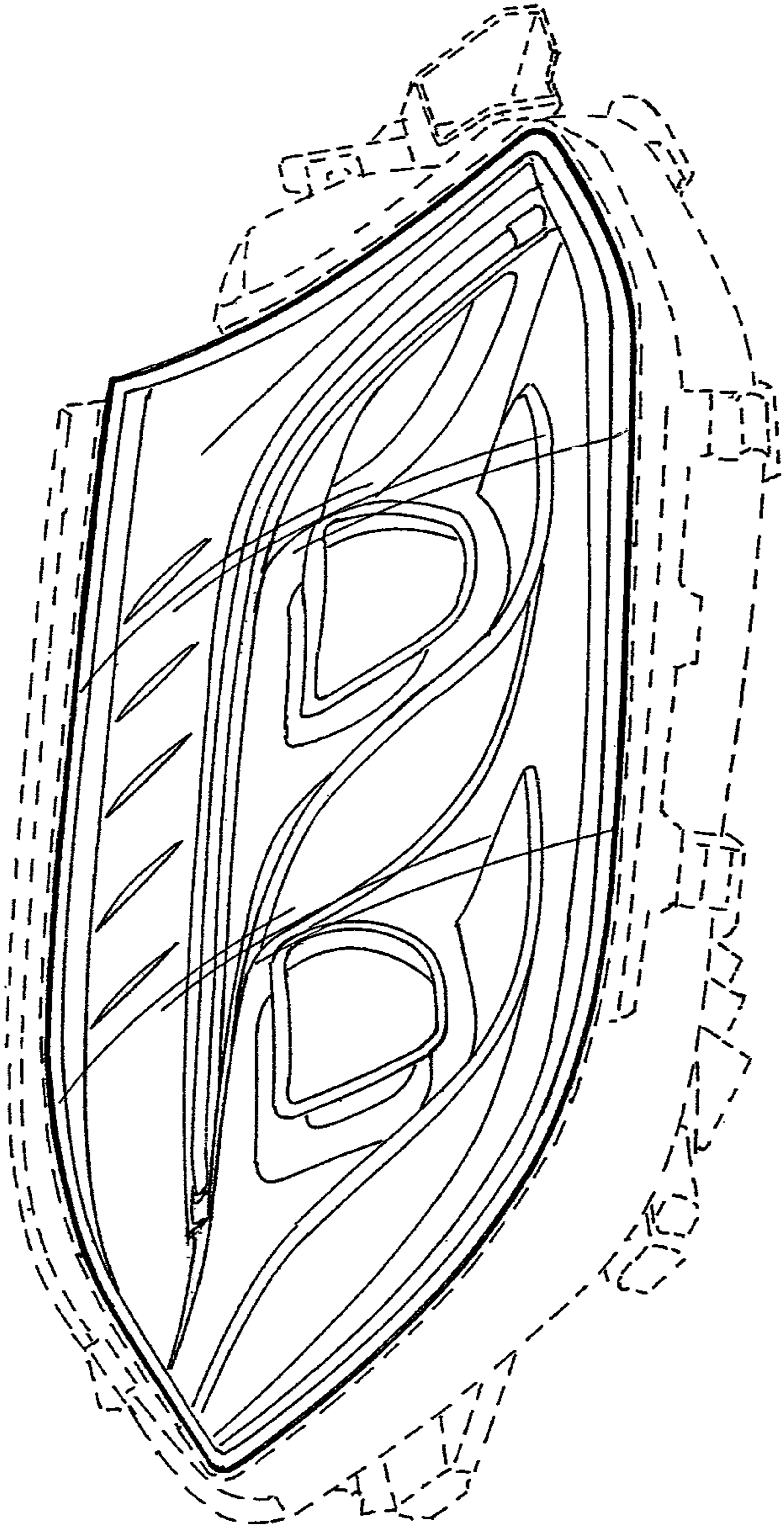


FIG. 1

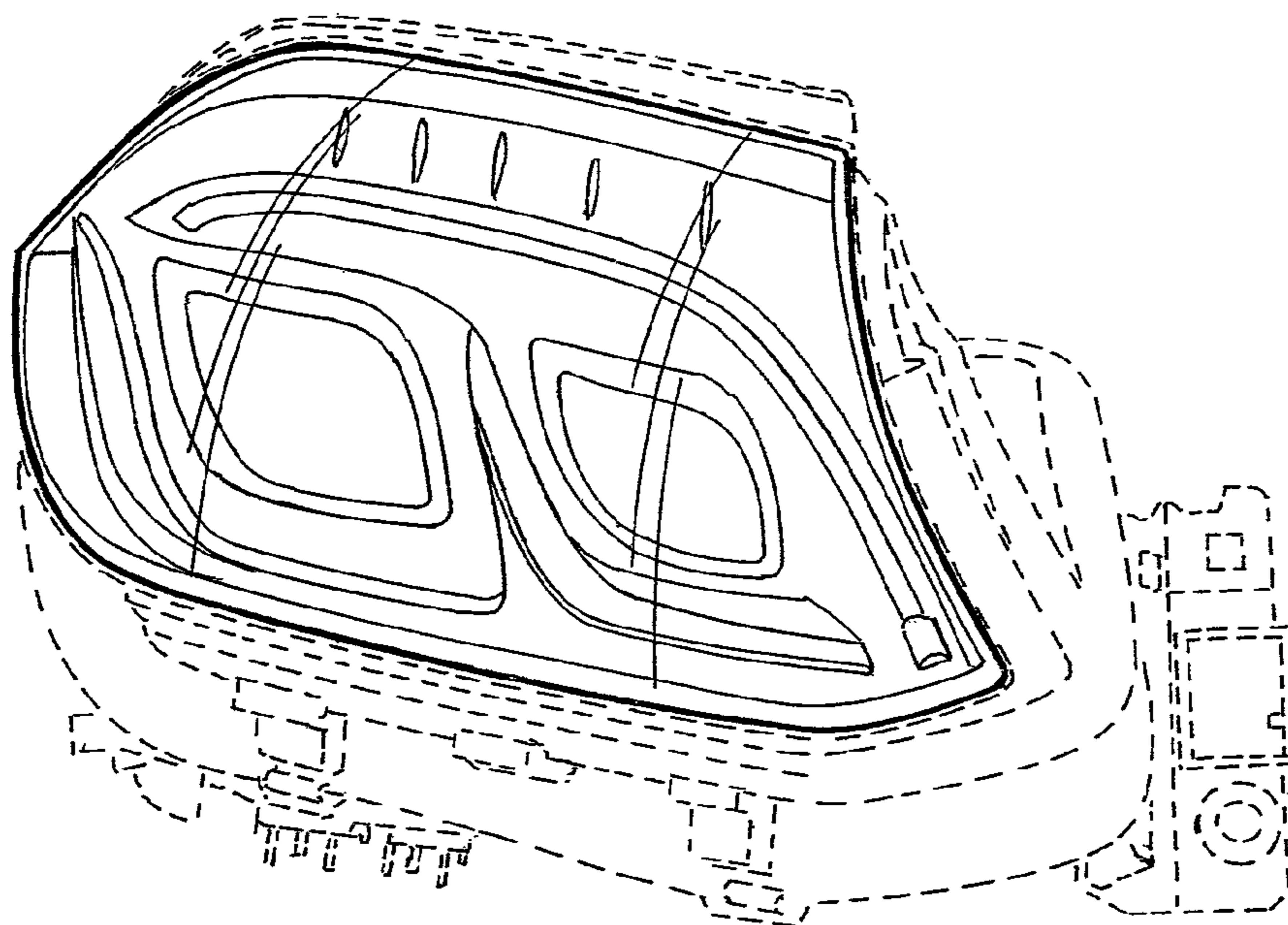


FIG. 2

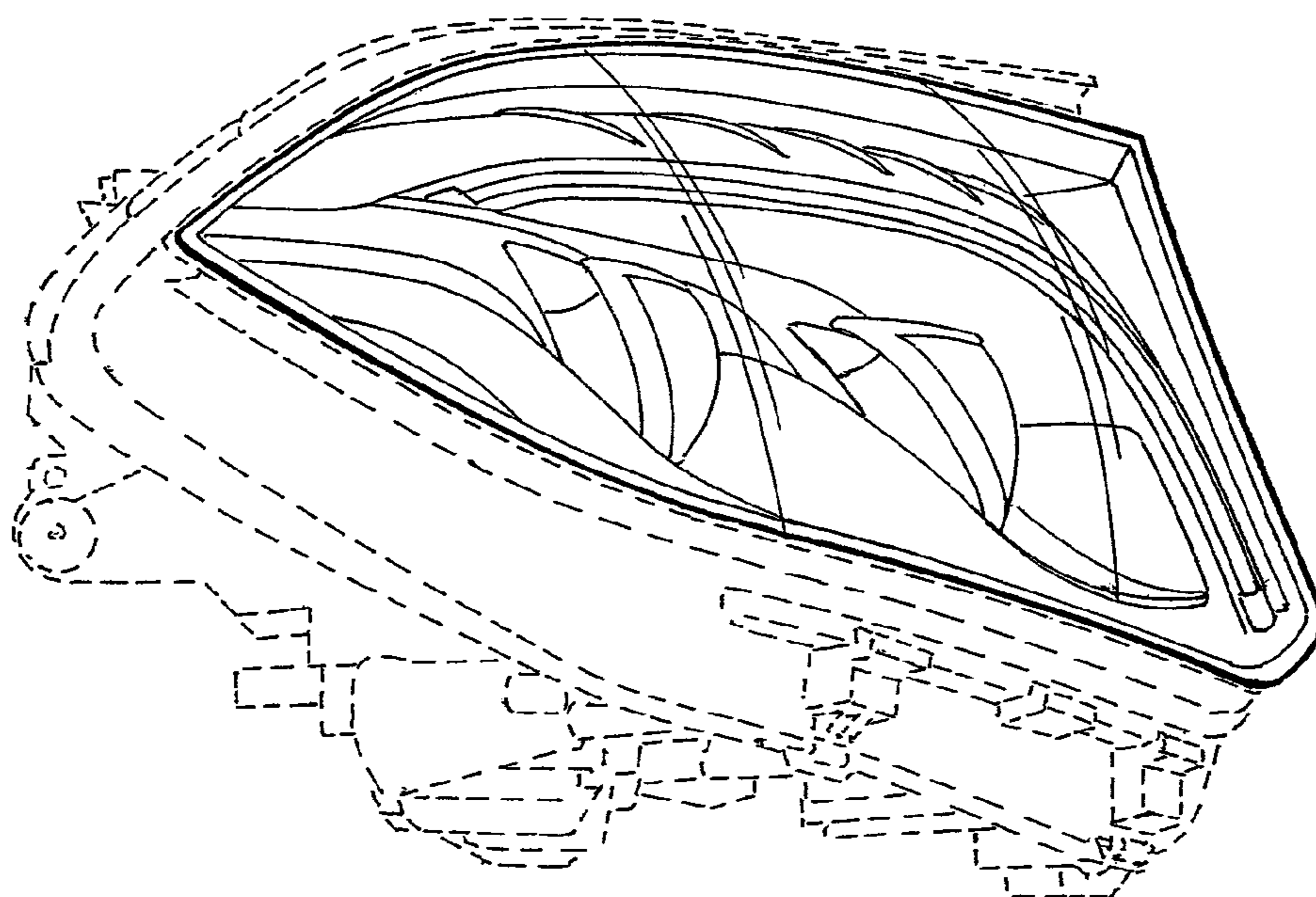


FIG. 3

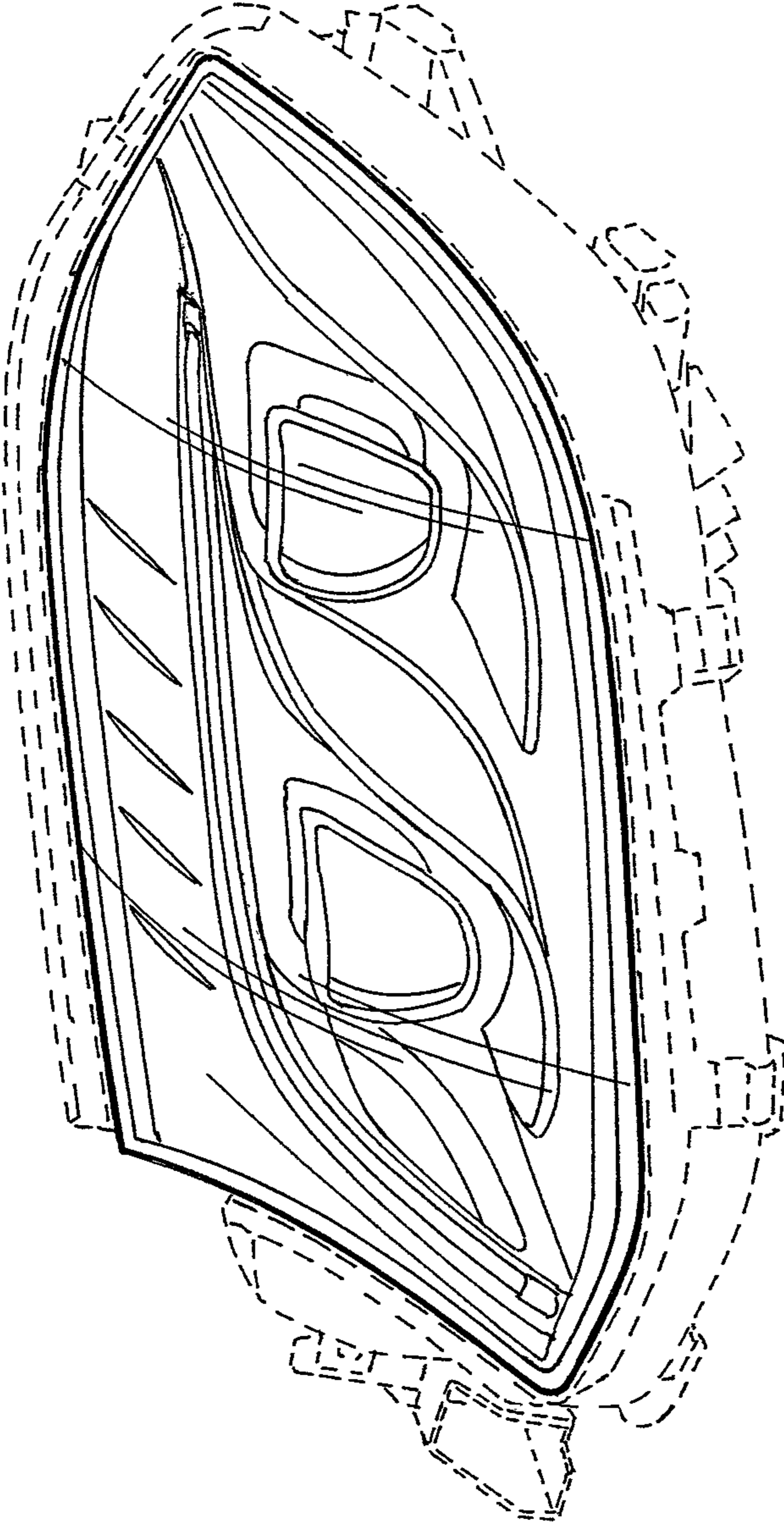


FIG. 4

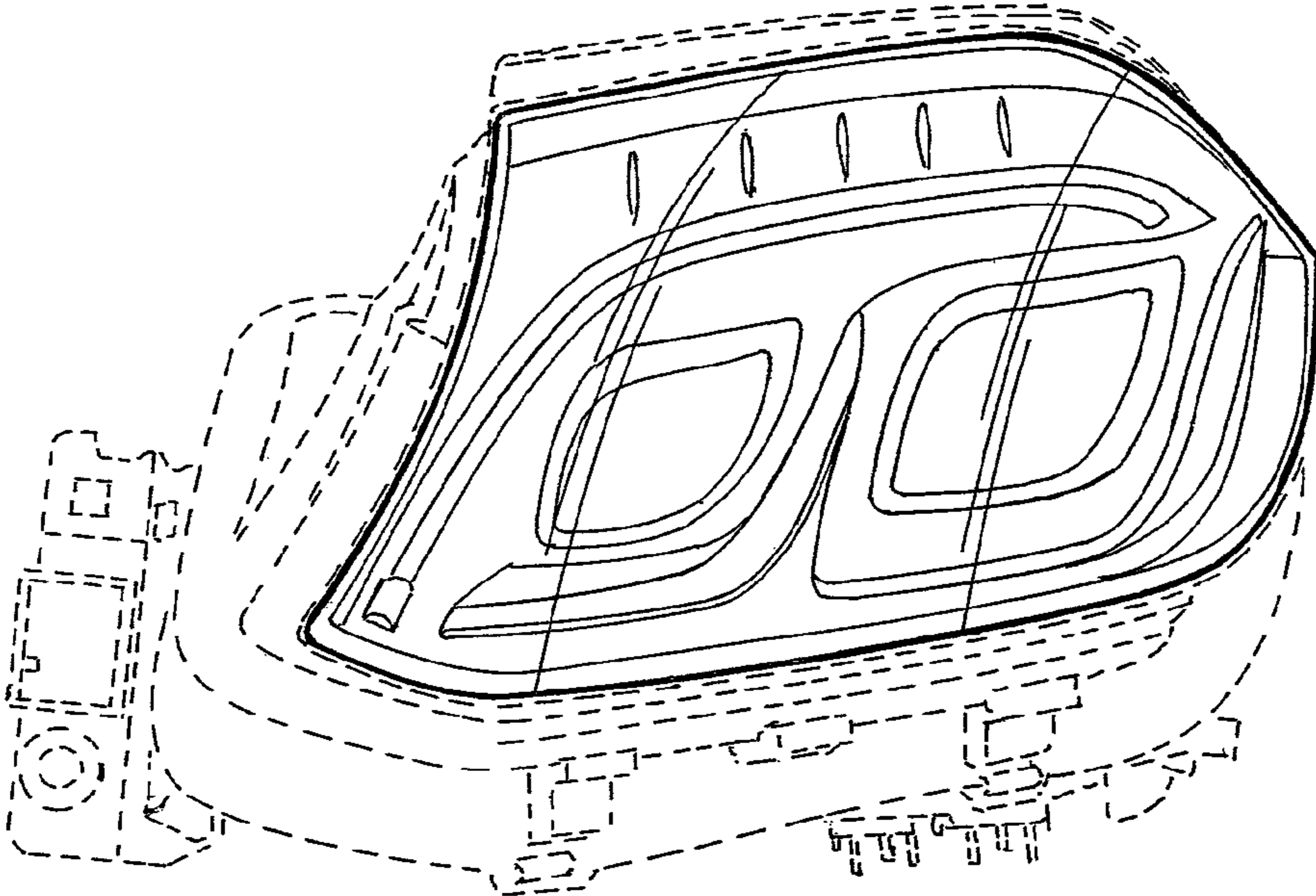


FIG. 5

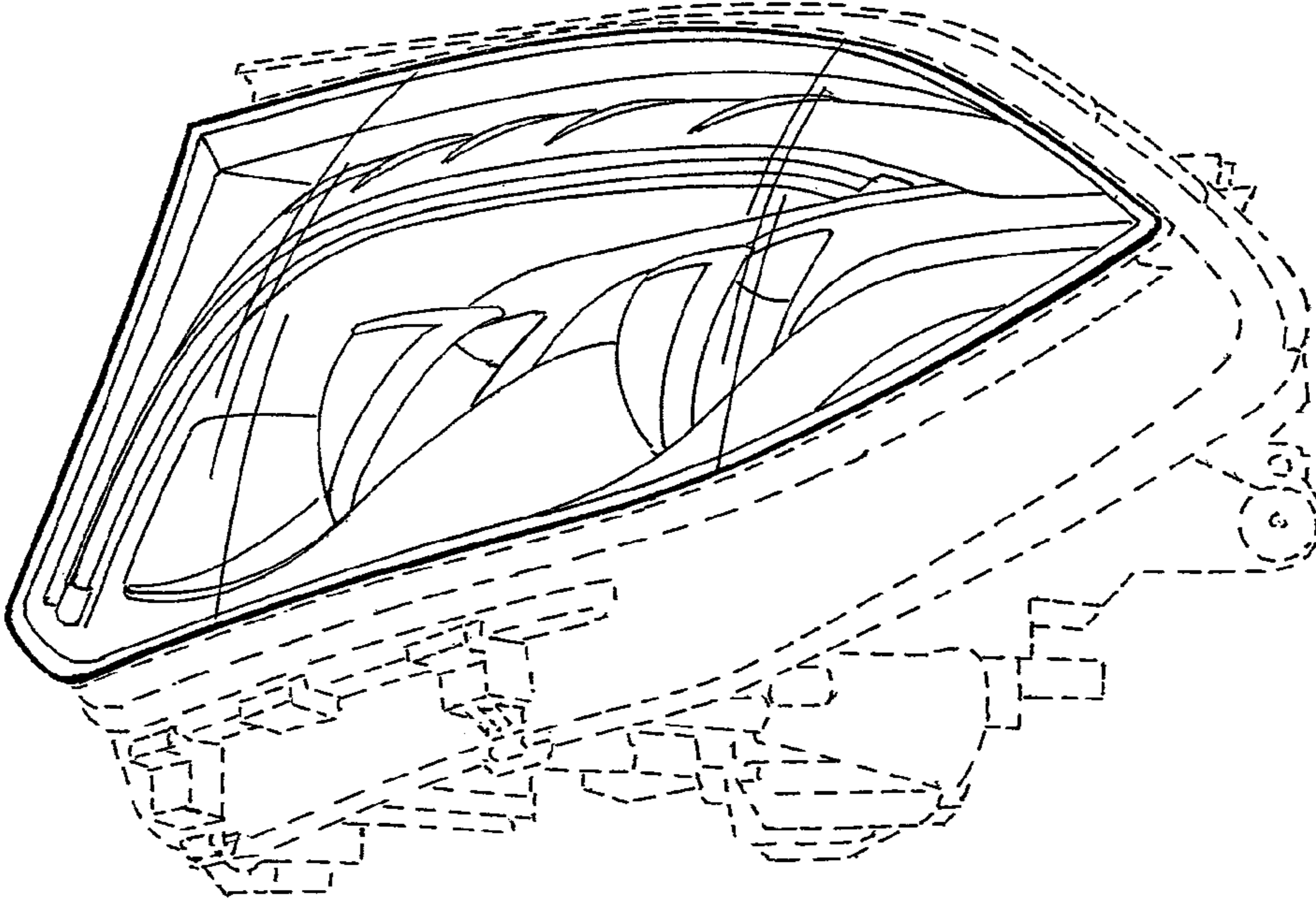


FIG. 6