



US00D752251S

(12) **United States Design Patent**
Tsukui et al.

(10) **Patent No.:** **US D752,251 S**
(45) **Date of Patent:** **** Mar. 22, 2016**

(54) **MOTORCYCLE HEADLIGHT**
(71) Applicant: **Honda Motor Co., Ltd.**, Tokyo (JP)
(72) Inventors: **Hiroaki Tsukui**, Wako (JP); **Masamoto Ito**, Wako (JP)
(73) Assignee: **HONDA MOTOR CO., LTD.**, Tokyo (JP)
(**) Term: **14 Years**
(21) Appl. No.: **29/487,226**
(22) Filed: **Apr. 7, 2014**
(30) **Foreign Application Priority Data**

Oct. 7, 2013 (JP) 2013-023435

(51) **LOC (10) Cl.** **26-06**

(52) **U.S. Cl.**
USPC **D26/28**

(58) **Field of Classification Search**
USPC D26/28-36, 113, 118, 121, 138-140;
362/362, 364-366, 368-373, 459-463,
362/473-478, 485-487, 538, 539,
362/546-549; D12/107, 110, 187-189
CPC B62J 6/02; B62J 6/04; B60Q 1/0047;
B60Q 1/18; B60Q 1/2696; B60Q 1/46;
F21S 48/1233; F21S 48/10; F21S 48/335;
F21S 48/00; F21S 48/1258
See application file for complete search history.

(56) **References Cited**
U.S. PATENT DOCUMENTS

D523,168 S * 6/2006 Reed et al. D26/139
7,252,422 B2 * 8/2007 Kim 362/549

D602,814 S * 10/2009 Lin D12/110
D649,914 S * 12/2011 Marasco et al. D12/110
D666,753 S * 9/2012 Huet D26/28
D692,167 S * 10/2013 Yamazaki et al. D26/28
D693,275 S * 11/2013 Murakami D12/110
D695,648 S * 12/2013 Yamazaki et al. D12/110
D713,573 S * 9/2014 Futamata et al. D26/28
D714,478 S * 9/2014 Lai D26/28

* cited by examiner

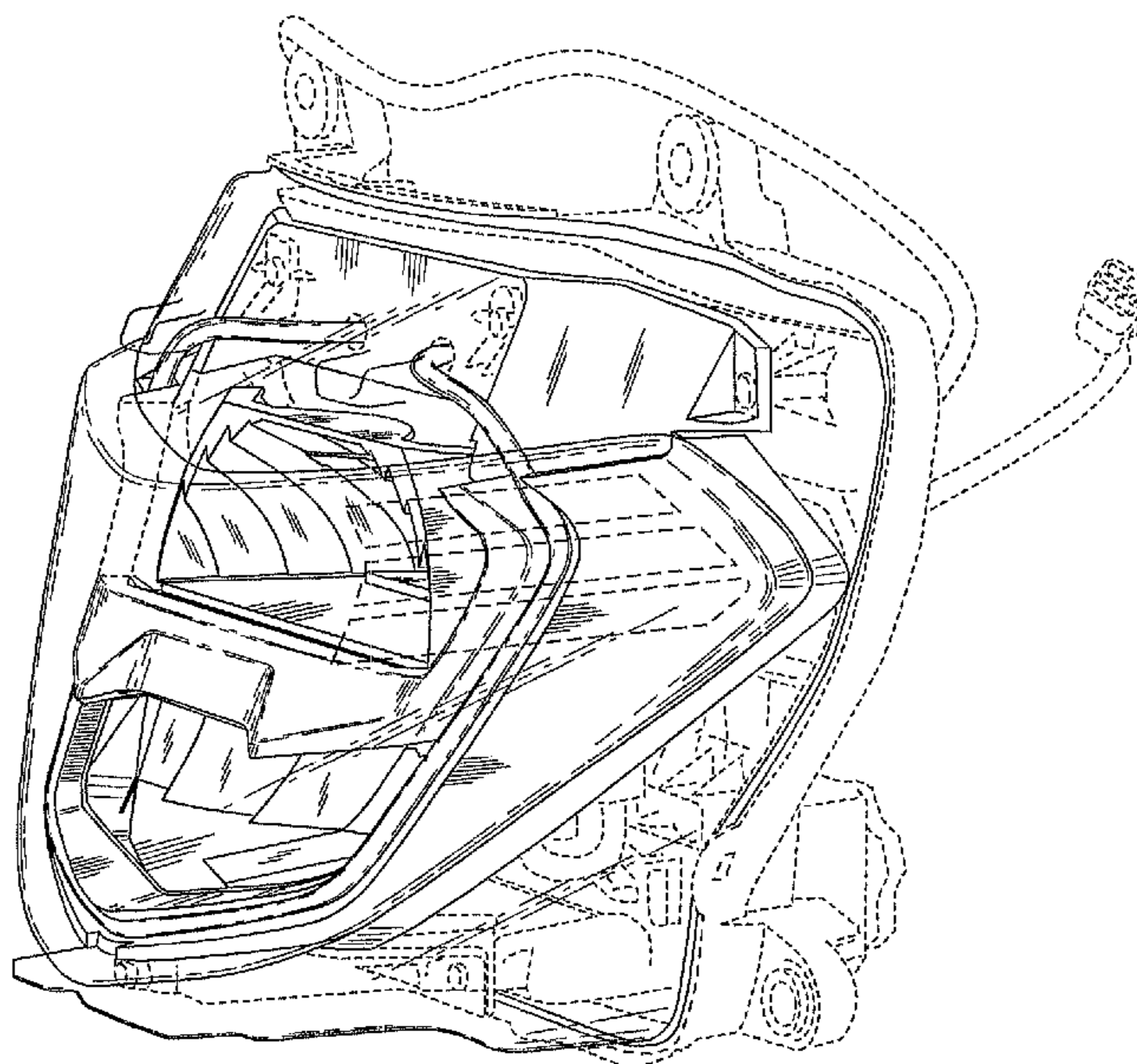
Primary Examiner — Cynthia Ramirez
Assistant Examiner — Llorellys Martinez-Rivera
(74) *Attorney, Agent, or Firm* — Birch, Stewart, Kolasch & Birch, LLP

(57) **CLAIM**
The ornamental design for a motorcycle headlight, as shown and described.

DESCRIPTION

FIG. 1 is a front right side perspective view of a motorcycle headlight showing our new design;
FIG. 2 is a rear right side perspective view thereof;
FIG. 3 is a front elevational view thereof;
FIG. 4 is a right side elevational view thereof;
FIG. 5 is a plan view thereof;
FIG. 6 is a front view of the motorcycle headlight mounted on a vehicle;
FIG. 7 is a left side elevational view thereof;
FIG. 8 is a bottom view thereof;
FIG. 9 is a front left side perspective view thereof; and,
FIG. 10 is a rear left side perspective view thereof.
The broken lines shown in the drawings are for the purpose of showing environmental structure only and form no part of the claimed design.

1 Claim, 10 Drawing Sheets



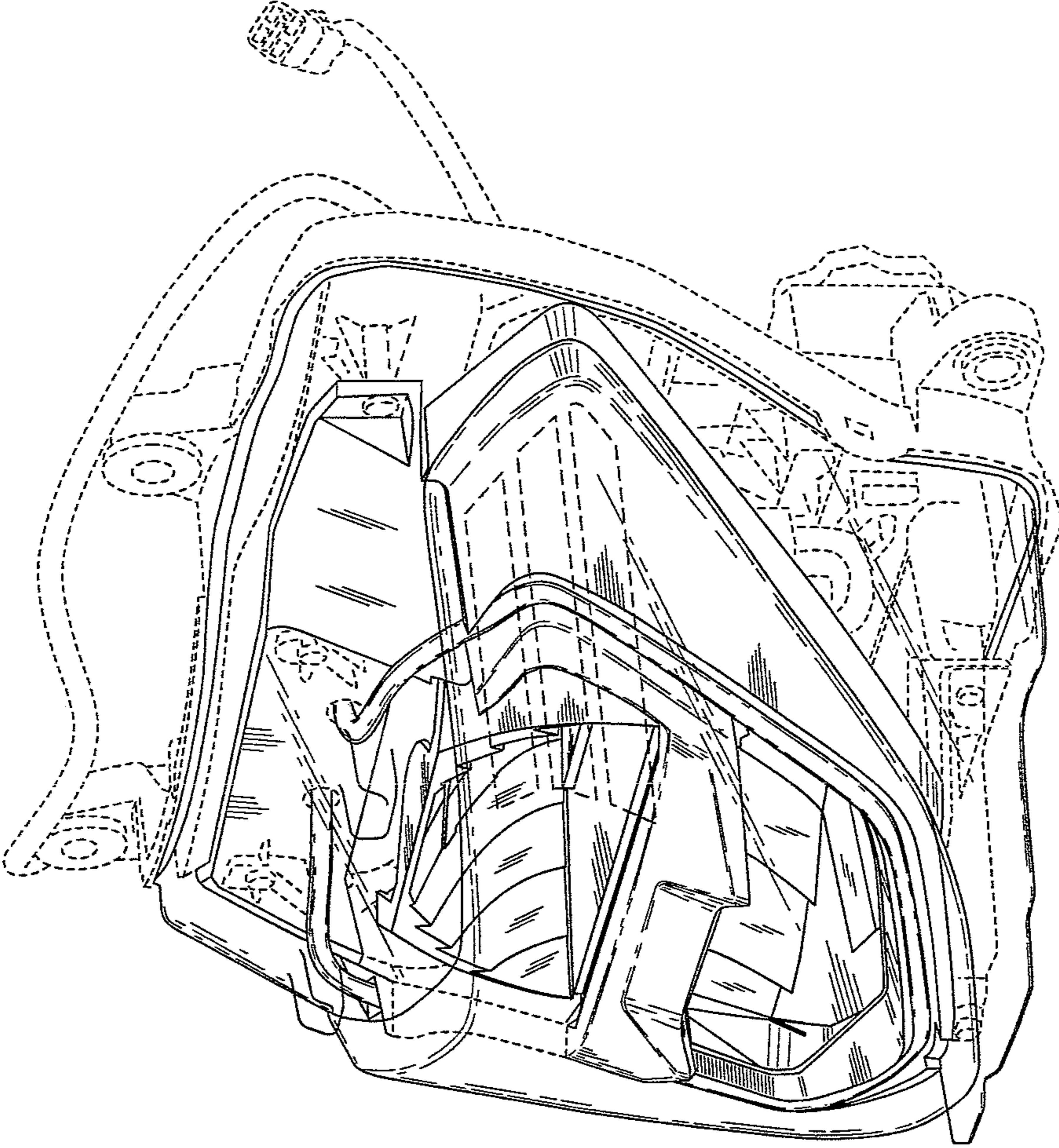


FIG.1

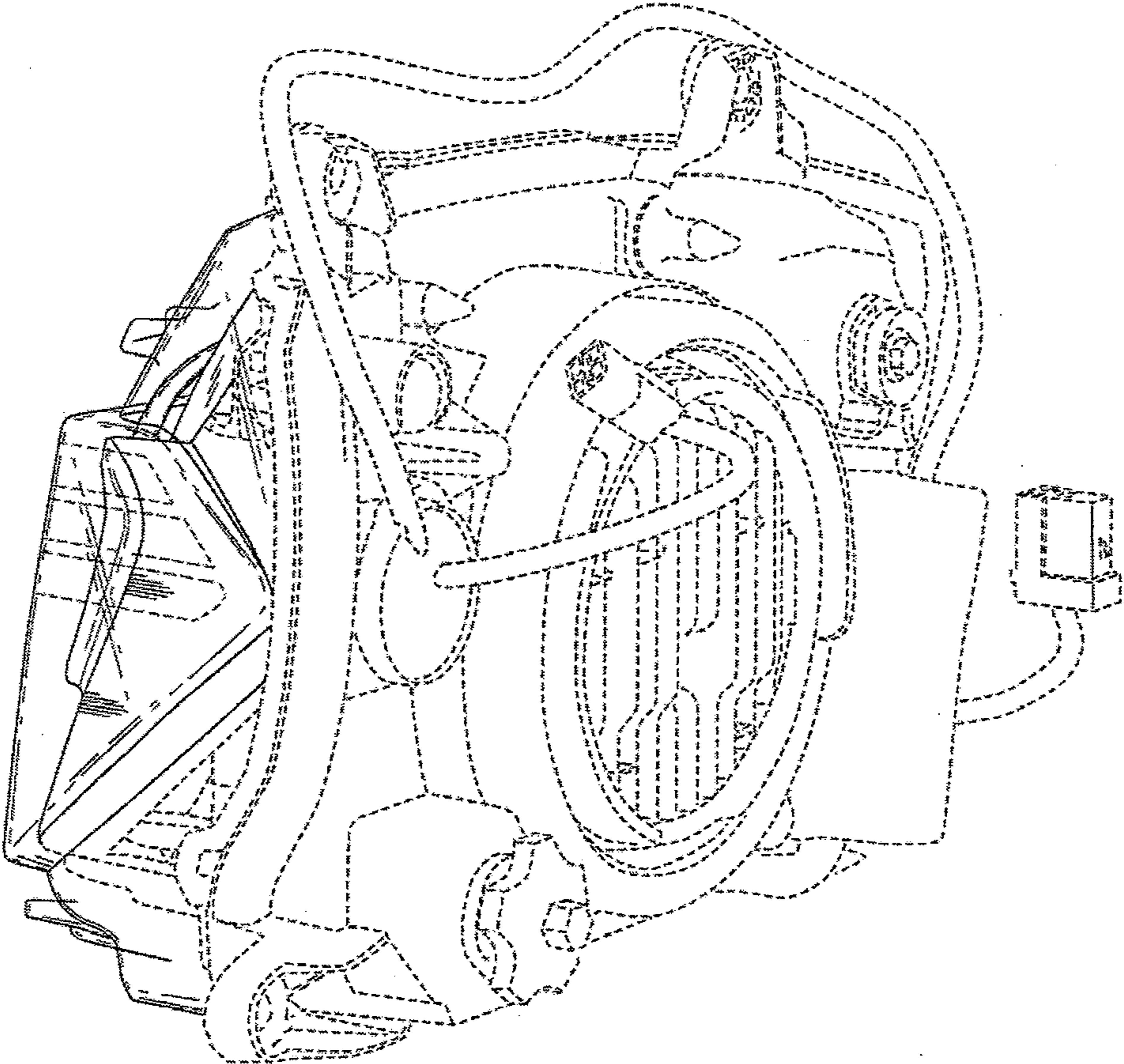


FIG.2

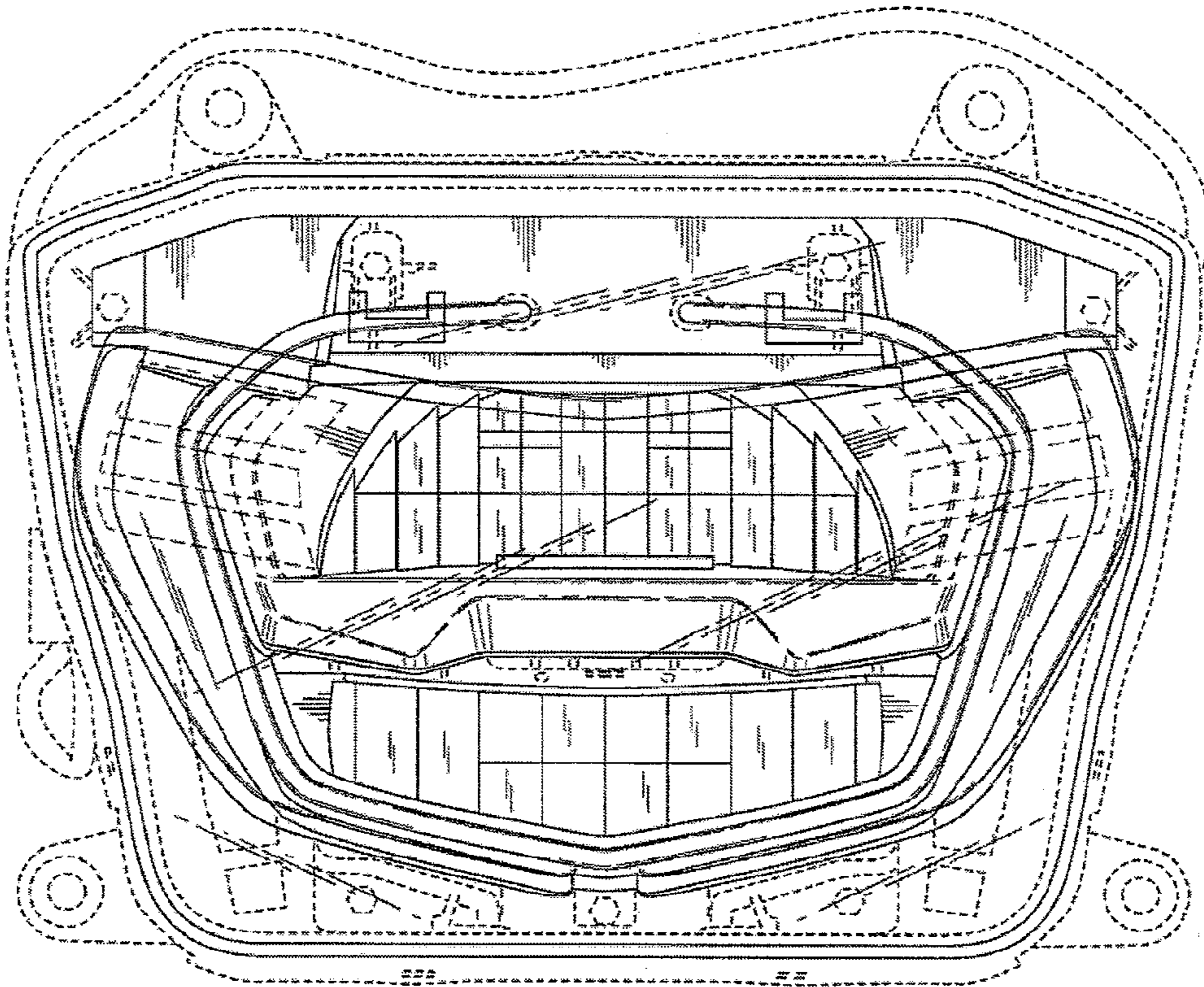


FIG.3

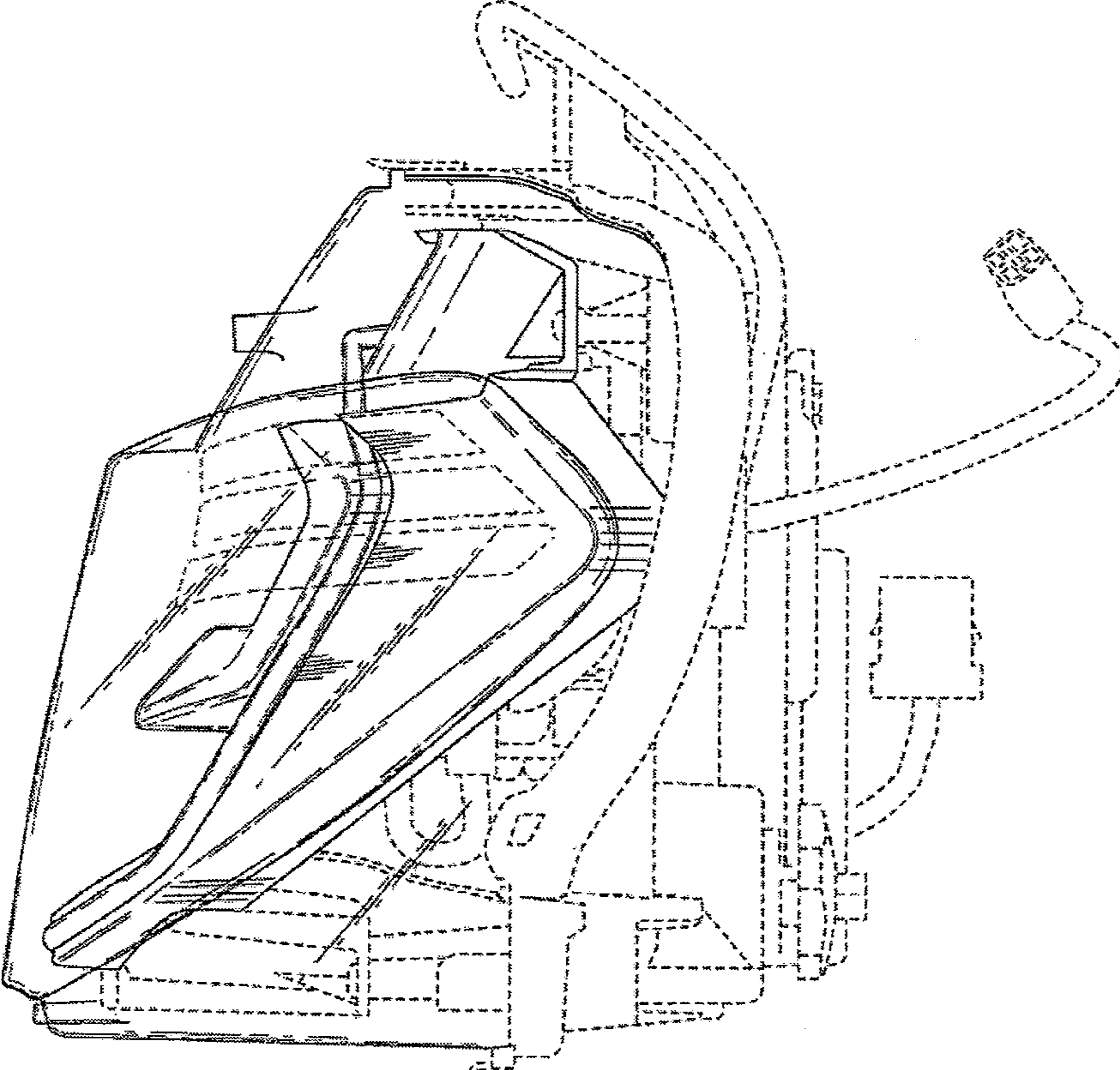


FIG.4

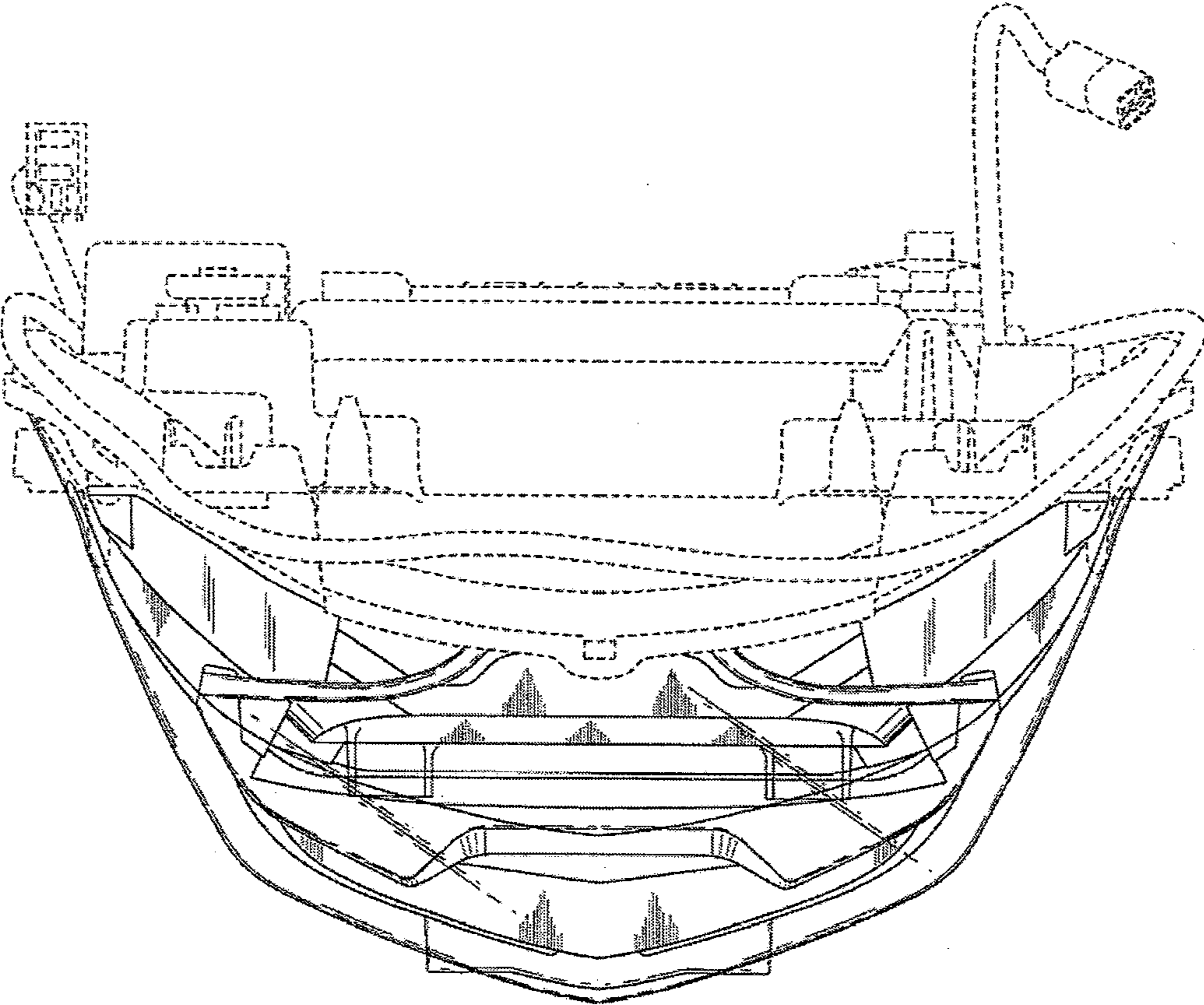


FIG.5

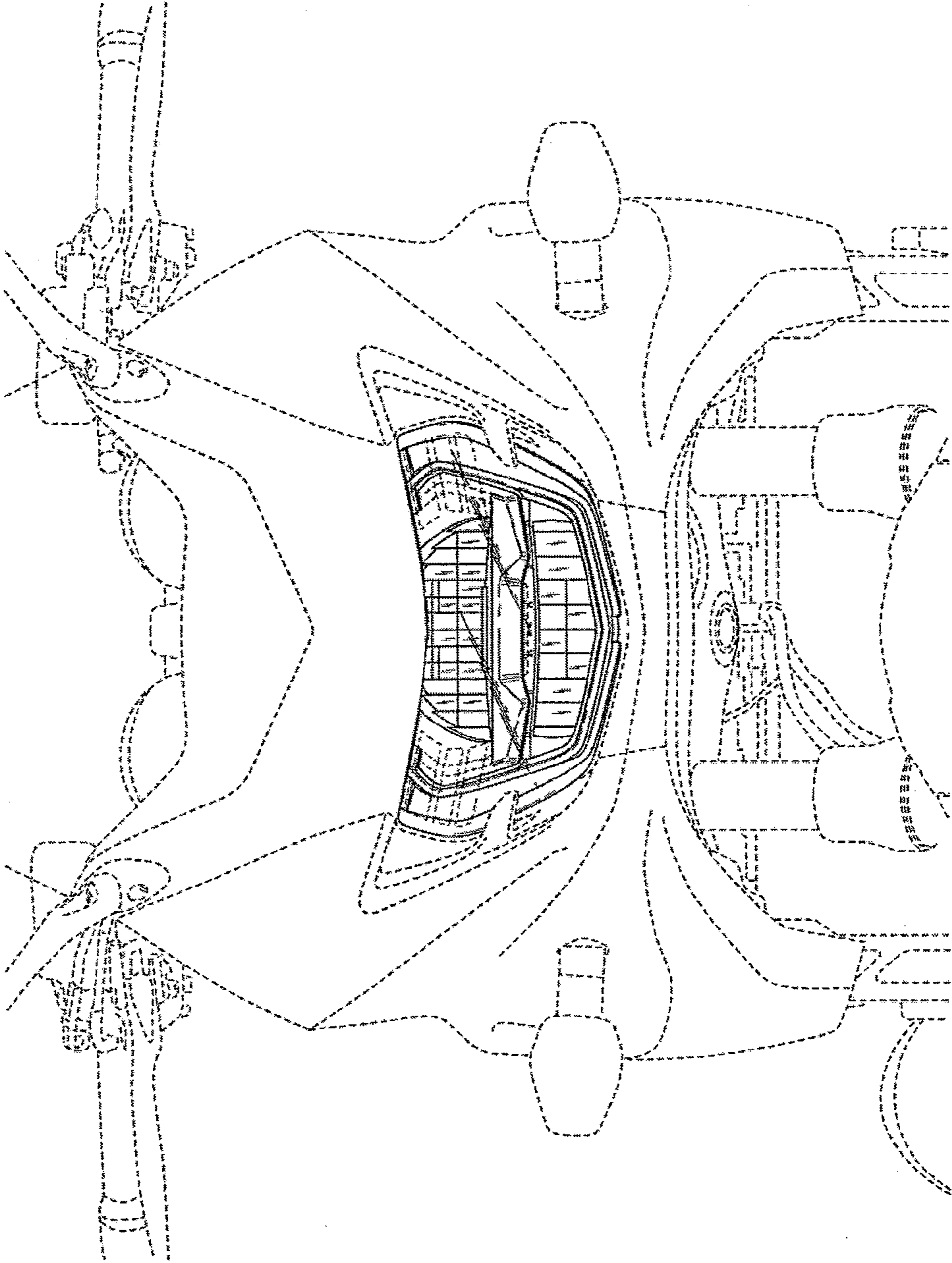


FIG.6

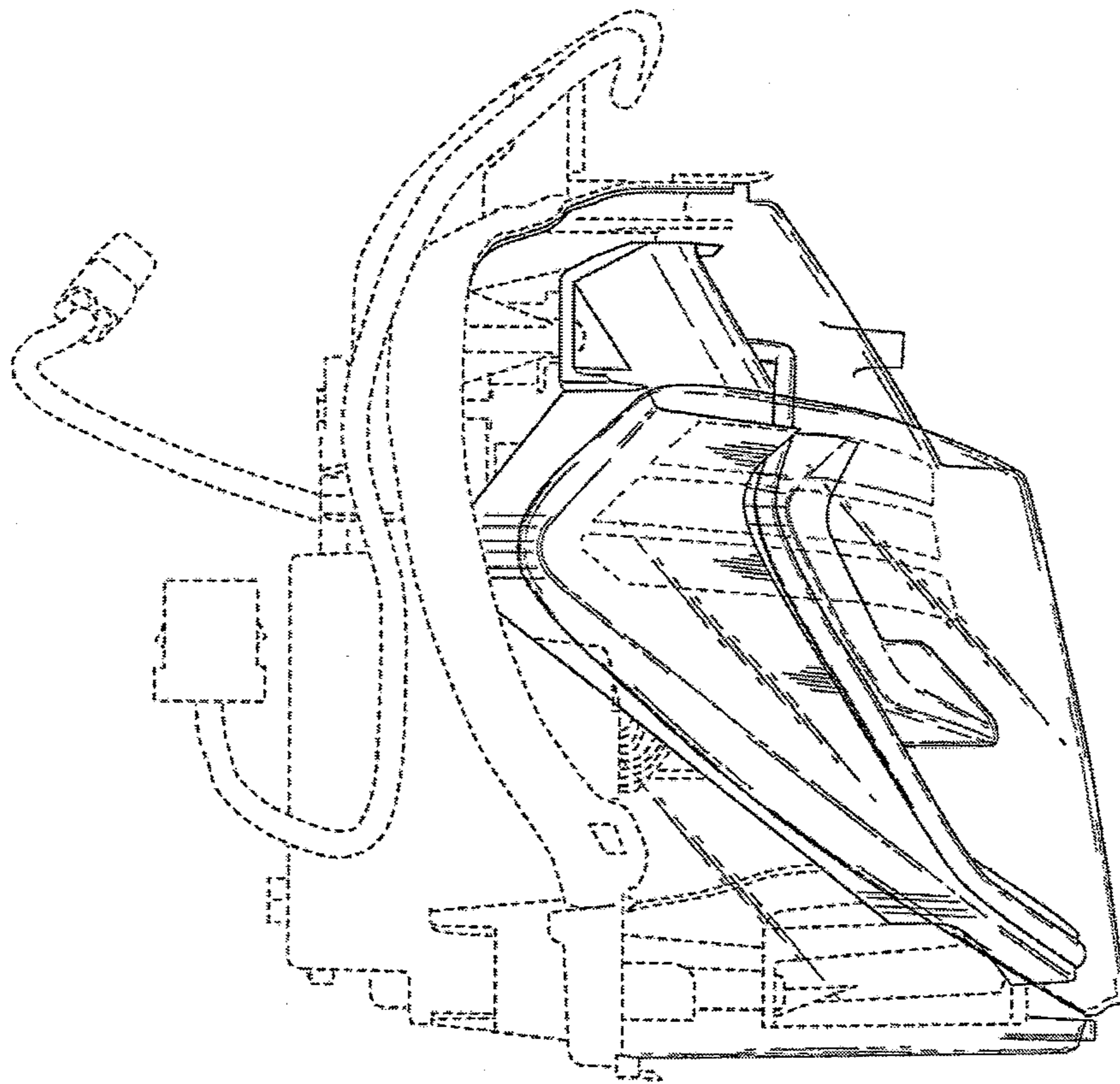


FIG.7

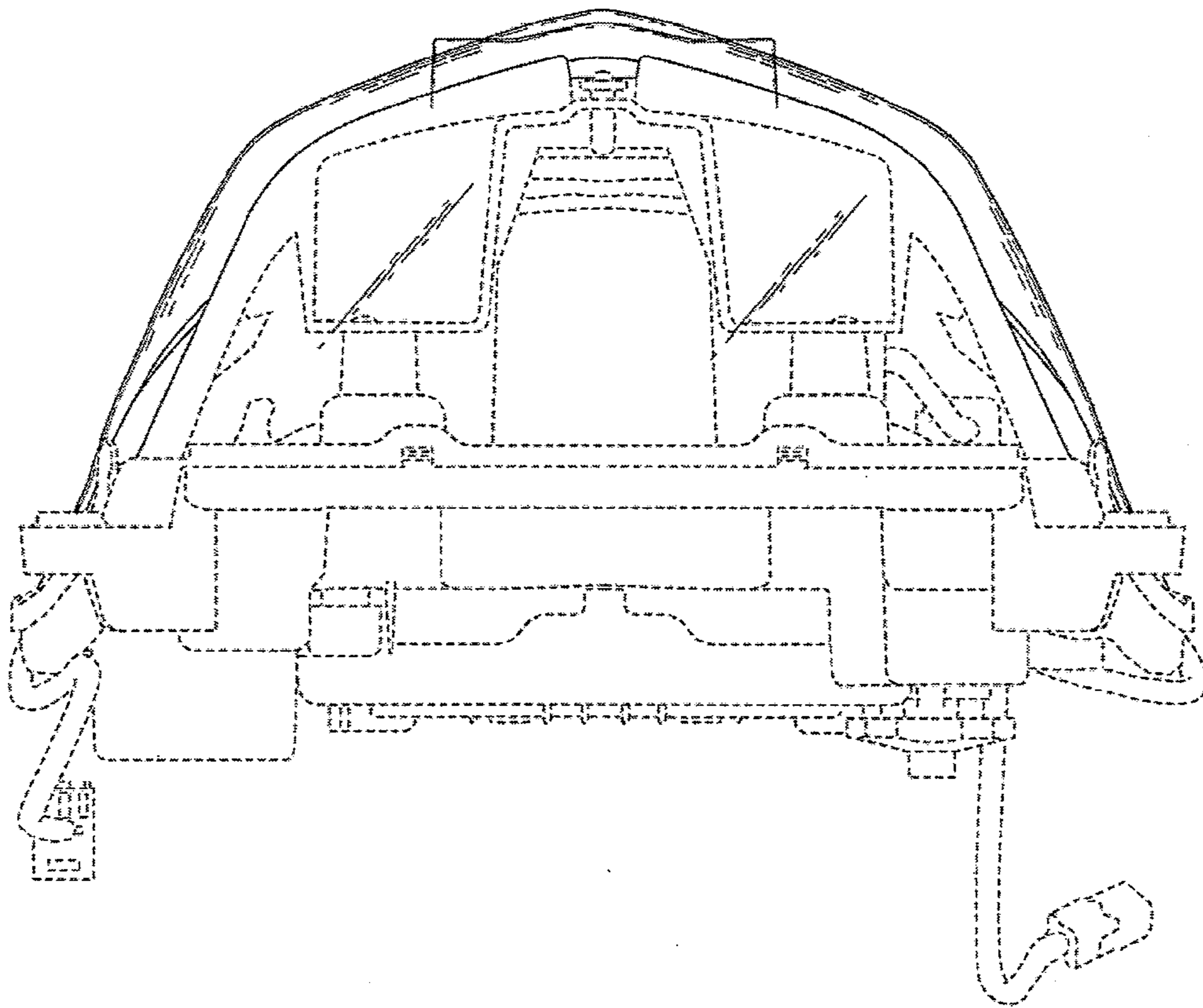


FIG.8

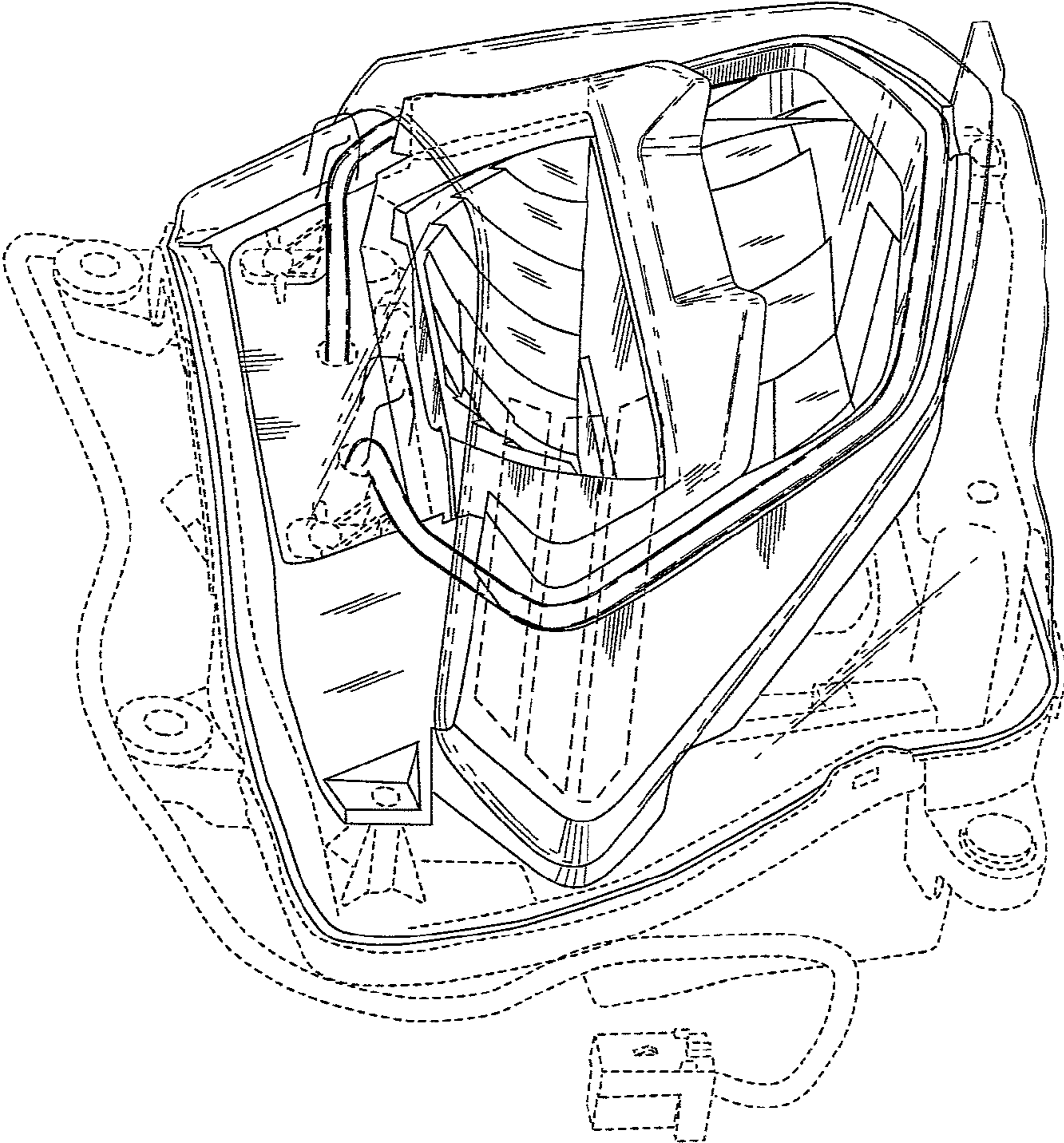


FIG.9

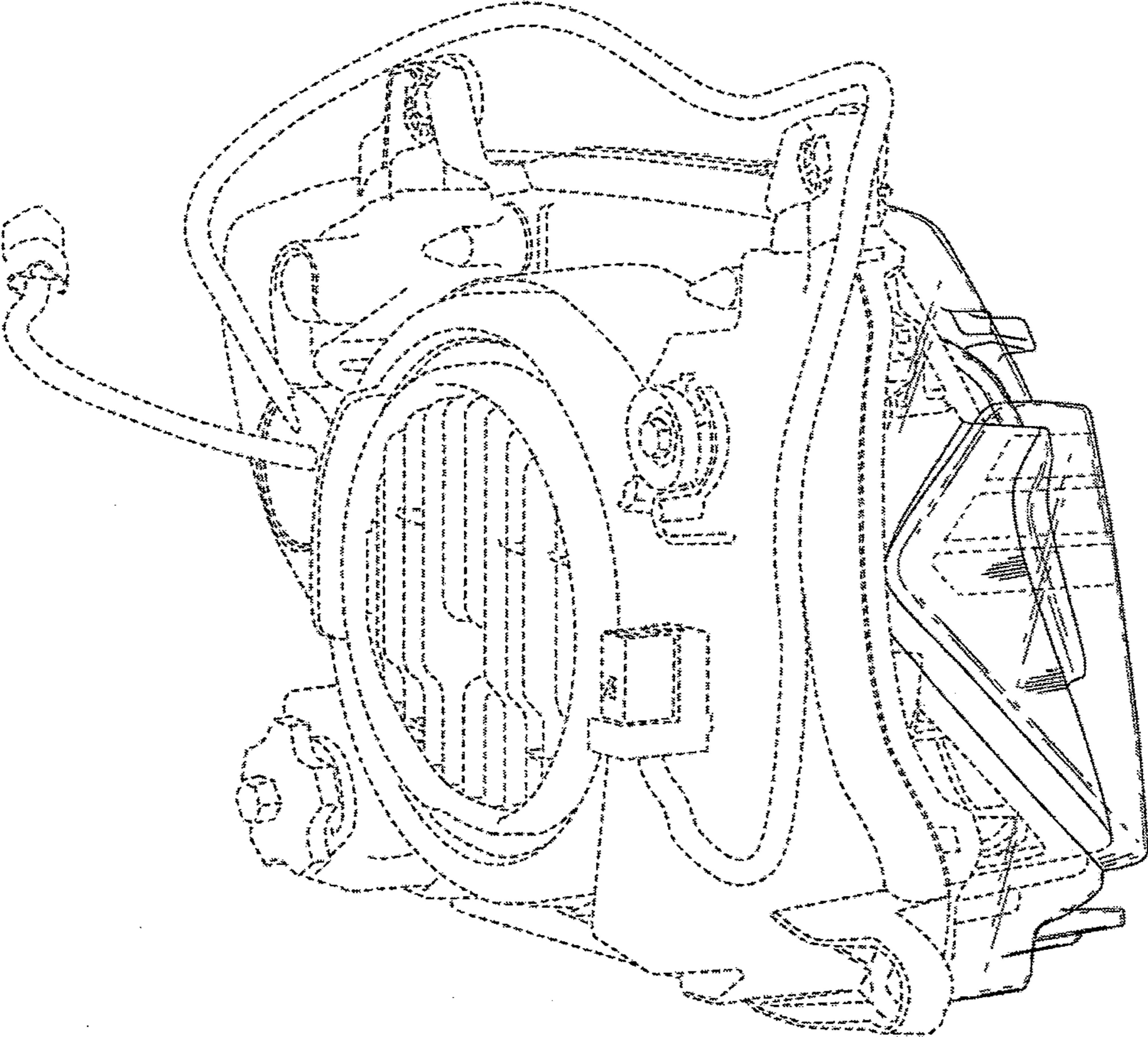


FIG.10